



US00D915697S

(12) **United States Design Patent** (10) **Patent No.:** **US D915,697 S**
Kim et al. (45) **Date of Patent:** **** Apr. 6, 2021**

(54) **VACUUM CLEANER BODY**
(71) Applicant: **LG ELECTRONICS INC., Seoul (KR)**
(72) Inventors: **Jinju Kim, Seoul (KR); Seongmin Kim, Seoul (KR); Seunghyun Song, Seoul (KR); Yeji Um, Seoul (KR); Hoil Jeon, Seoul (KR)**
(73) Assignee: **LG ELECTRONICS INC., Seoul (KR)**

D303,170 S * 8/1989 Hirano D32/18
D304,249 S * 10/1989 Yuen D32/18
D304,250 S * 10/1989 Hassel D32/18
D316,316 S * 4/1991 Yuen D32/18
D388,562 S * 12/1997 Doria D32/17
D421,513 S * 3/2000 Hsu D32/18
D453,868 S * 2/2002 Murphy D32/18
D456,963 S * 5/2002 Murphy D32/18
D488,595 S * 4/2004 Sun D32/15
D504,985 S * 5/2005 Buzzi D32/17
D564,153 S * 3/2008 Fjellman D32/18
D577,163 S * 9/2008 Dyson D32/18
8,146,201 B2 * 4/2012 Conrad A47L 7/0038
15/353
D720,102 S * 12/2014 Gu D32/18
9,420,925 B2 * 8/2016 Conrad A47L 9/1608
D826,493 S * 8/2018 Nam D32/18
10,064,530 B2 * 9/2018 Krebs A47L 5/24
D830,017 S * 10/2018 Nam D32/22
10,117,551 B2 * 11/2018 Horvath A47L 9/2884
10,376,112 B2 * 8/2019 Conrad A47L 5/225
D874,758 S * 2/2020 Schroeter D32/18
D879,395 S * 3/2020 Pearce D32/18
D887,657 S * 6/2020 Palladino D32/22
D901,800 S * 11/2020 Choi D32/34

(**) Term: **15 Years**
(21) Appl. No.: **35/508,451**
(22) Filed: **Jul. 29, 2019**

(80) **Hague Agreement Data**
Int. Filing Date: **Jul. 29, 2019**
Int. Reg. No.: **DM/204188**
Int. Reg. Date: **Jul. 29, 2019**
Int. Reg. Pub. Date: **Jan. 31, 2020**

(51) **LOC (13) Cl.** **15-05**
(52) **U.S. Cl.**
USPC **D32/18**
CPC **B01D 46/0023 (2013.01)**
(58) **Field of Classification Search**
USPC **D32/17, 18, 21, 22, 31, 34, 69, 70**
CPC **A47L 5/24; A47L 5/38; A47L 5/28; A47L 11/4044; A47L 11/34; A47L 7/0038; A47L 9/325; A47L 9/02; A47L 1/08; D01H 11/006; B60S 1/64; A46B 11/001; A46B 11/002; B08B 3/026; B08B 3/028; B01D 46/0023**
See application file for complete search history.

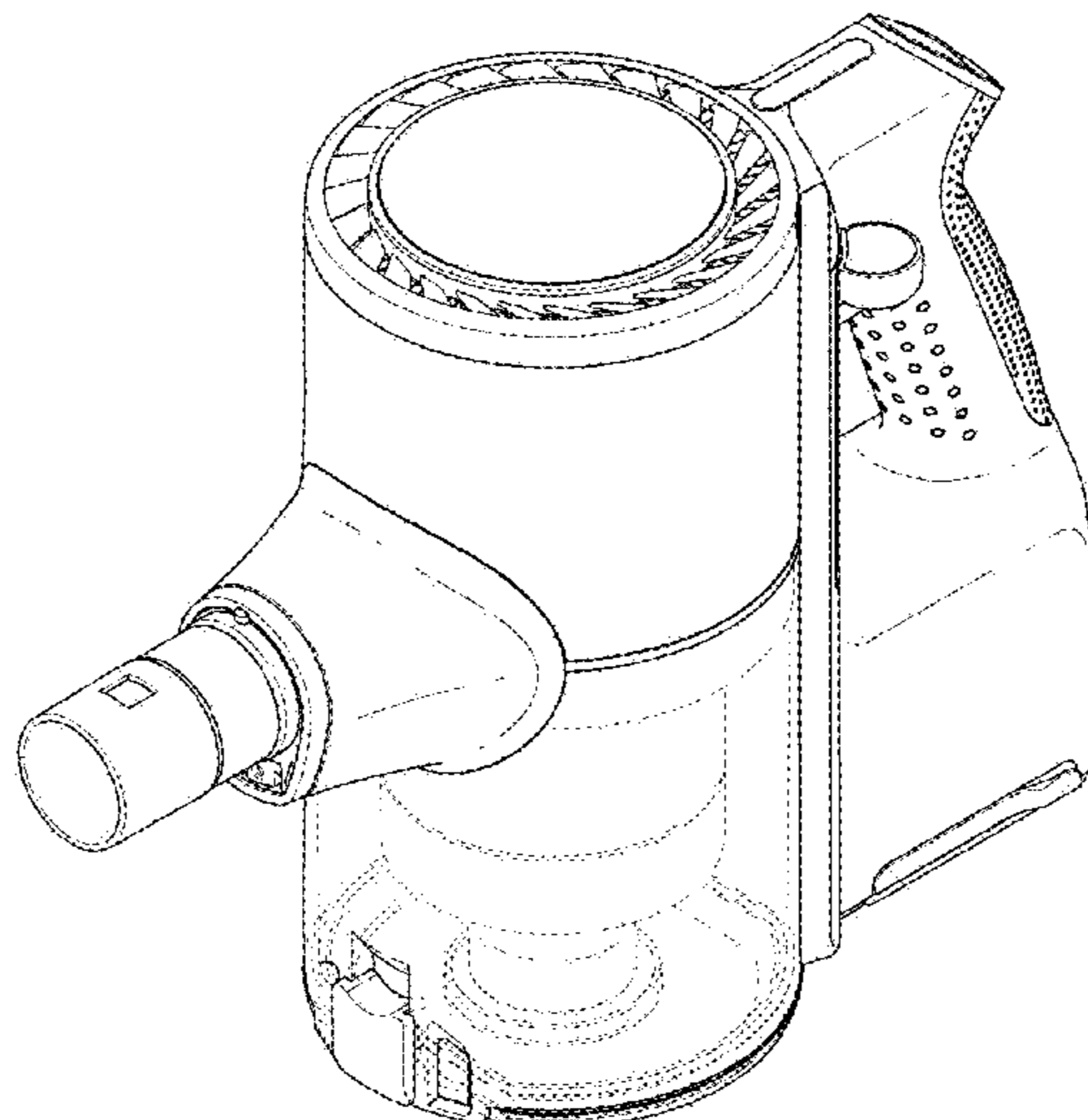
(56) **References Cited**
U.S. PATENT DOCUMENTS
D290,893 S * 7/1987 Essex D32/18
D295,566 S * 5/1988 Hetherington D32/18

Primary Examiner — Richard E Chilcot
(74) Attorney, Agent, or Firm — Birch, Stewart, Kolasch & Birch, LLP

(57) **CLAIM**
The ornamental design for vacuum cleaner body, as shown and described.

DESCRIPTION
1. Vacuum cleaner body
1.1 : Perspective
1.2 : Front
1.3 : Back
1.4 : Left
1.5 : Right
1.6 : Top
1.7 : Bottom

1 Claim, 7 Drawing Sheets



(56)

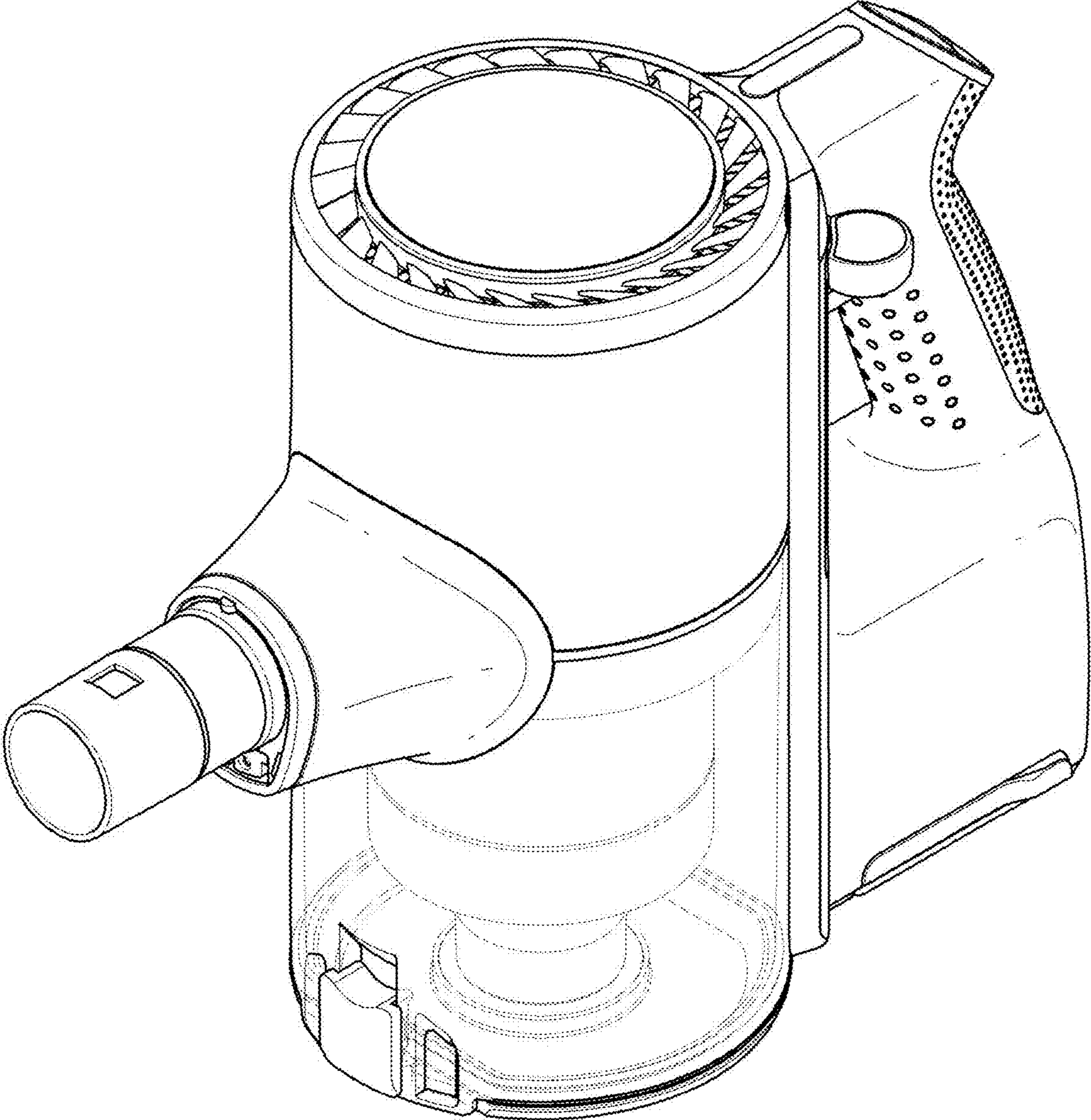
References Cited

U.S. PATENT DOCUMENTS

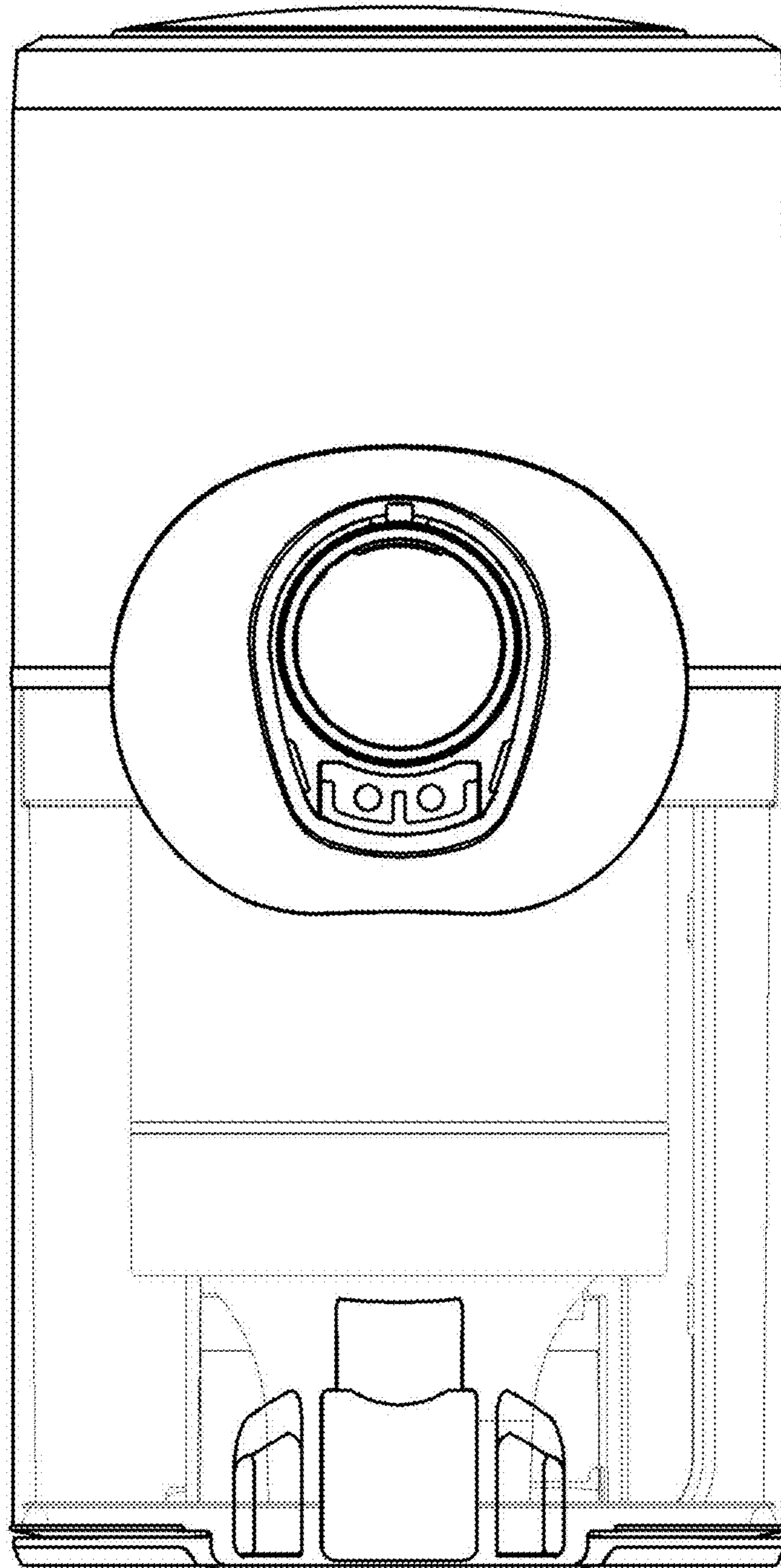
D902,510 S * 11/2020 Knight Adams D32/22
2002/0073504 A1* 6/2002 Hall A47L 1/08
15/320
2008/0196194 A1* 8/2008 Conrad A47L 5/24
15/353
2016/0015229 A1* 1/2016 Conrad A47L 9/246
15/344
2017/0296958 A1* 10/2017 Nam A47L 9/322

* cited by examiner

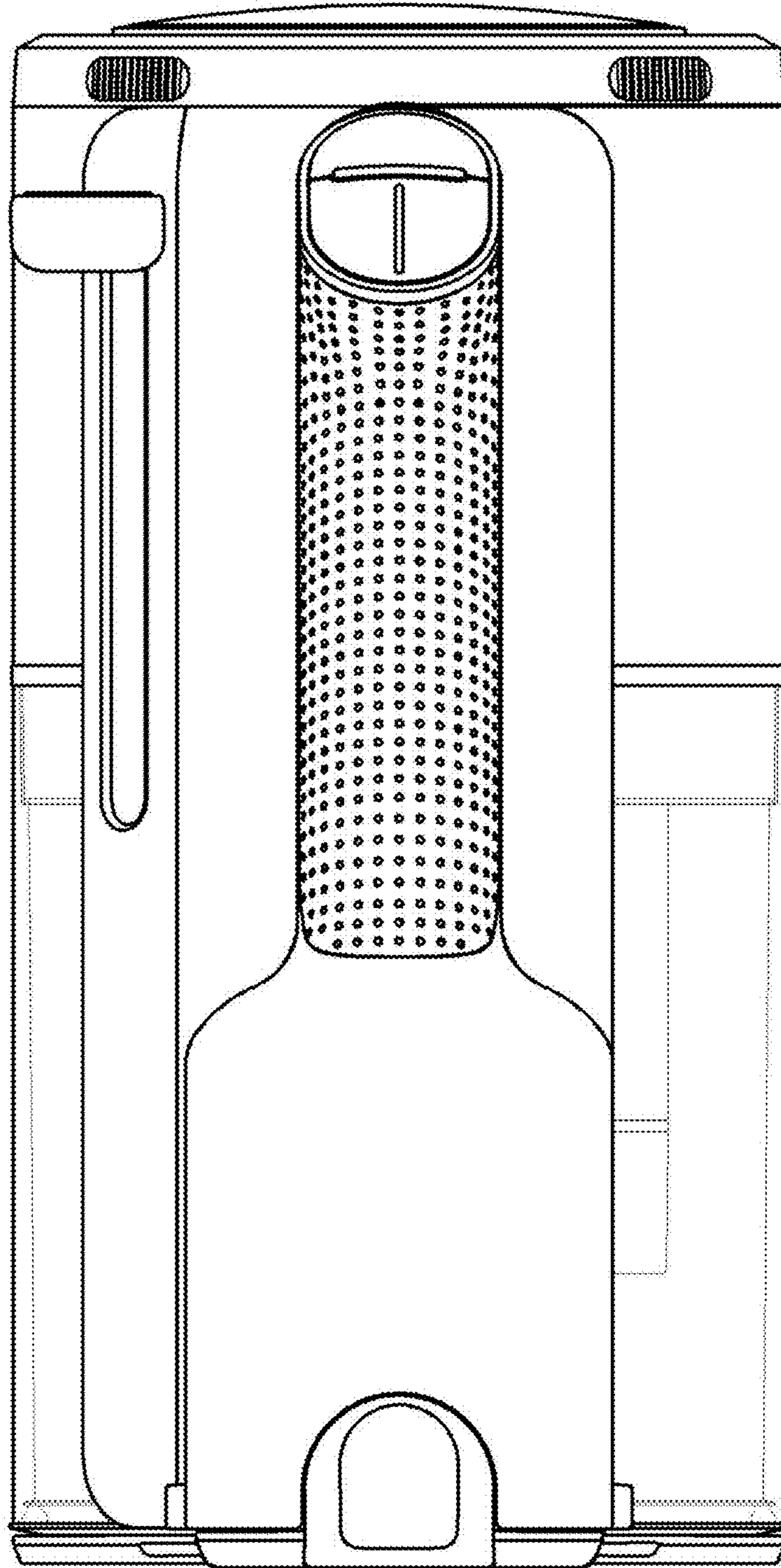
1.1



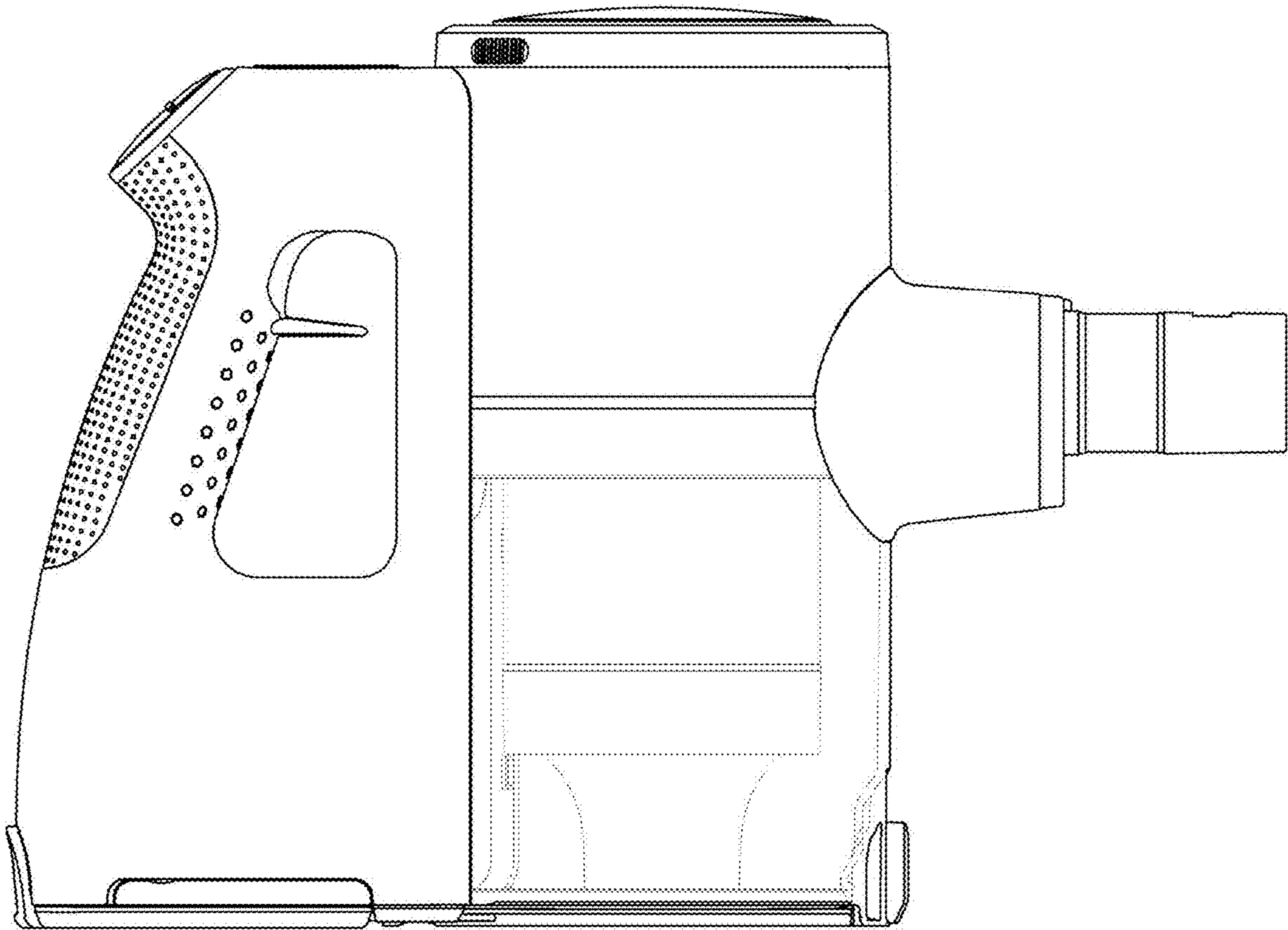
1.2



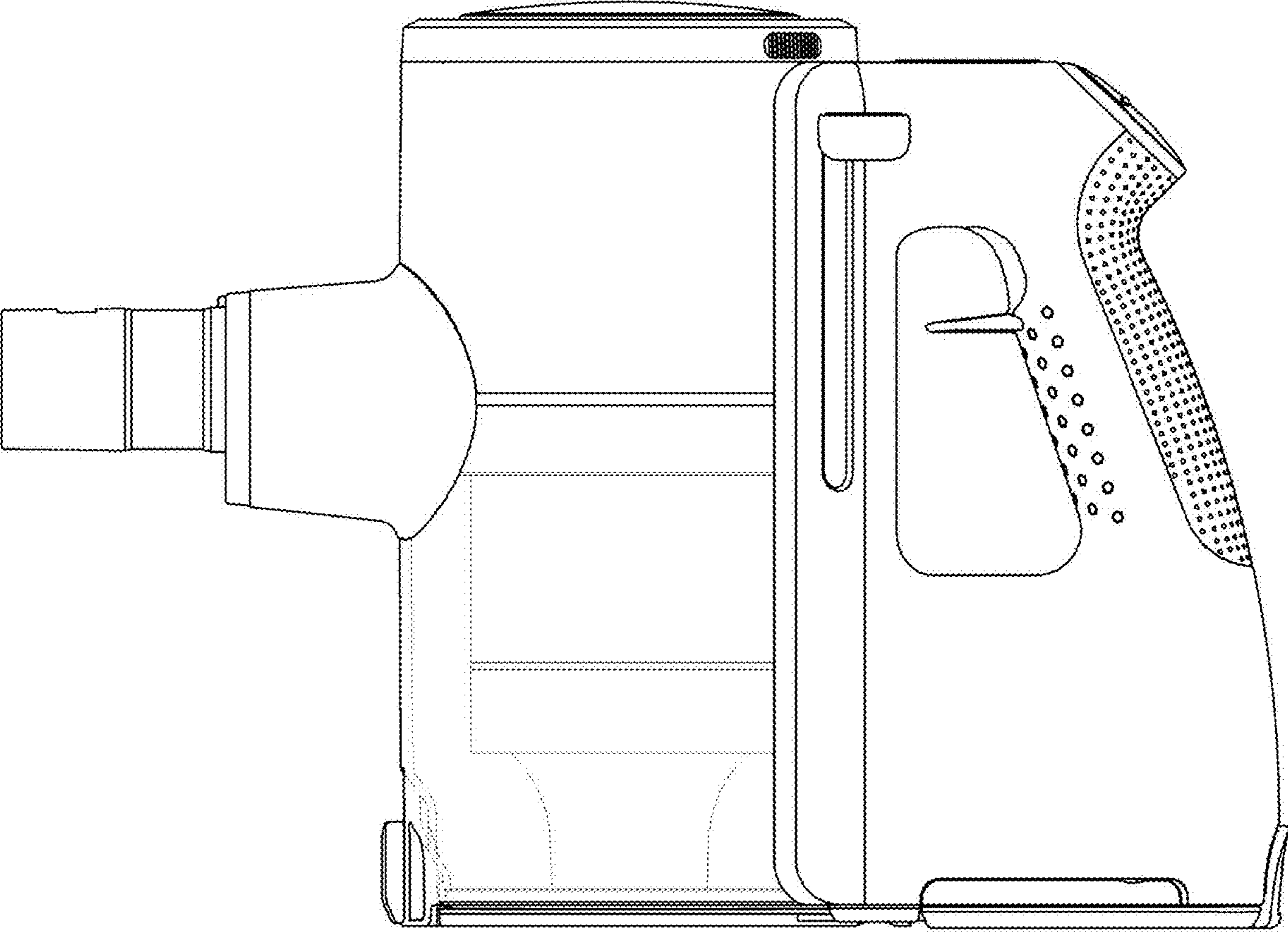
1.3



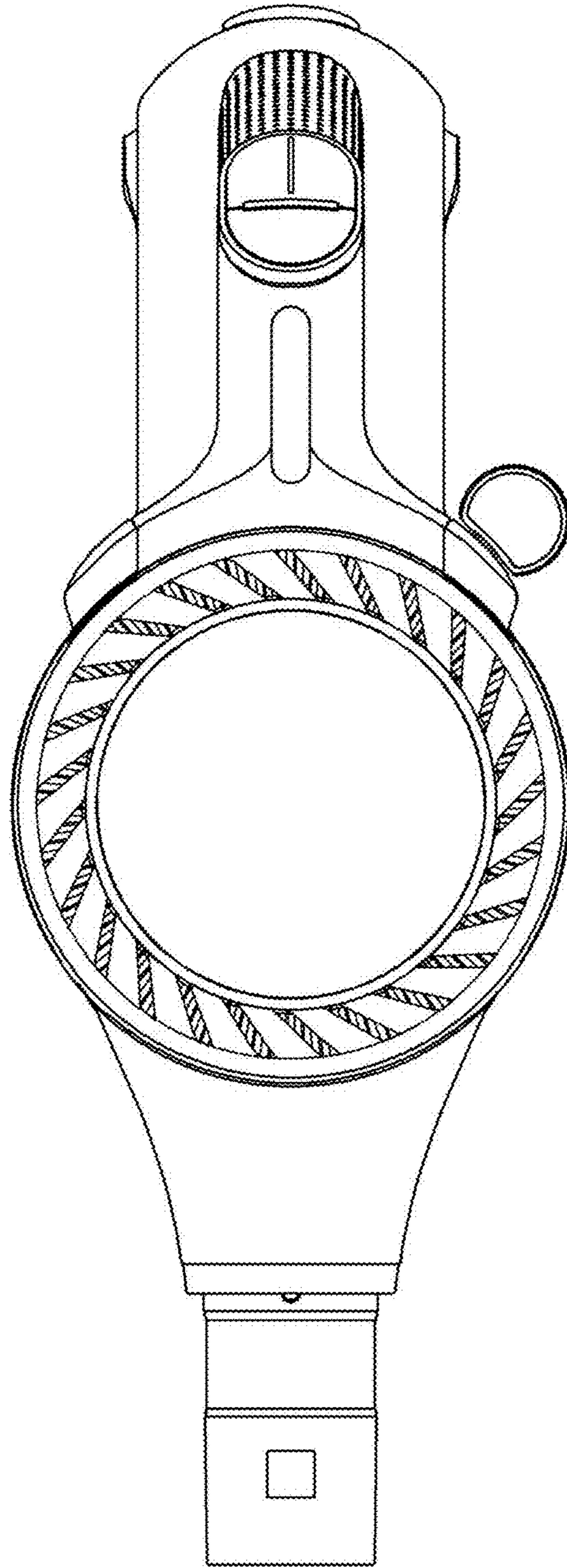
1.4



1.5



1.6



1.7

