



US00D915691S

(12) **United States Design Patent** (10) **Patent No.:** **US D915,691 S**
Williams et al. (45) **Date of Patent:** **** Apr. 6, 2021**

(54) **SPUR FOR BULL RIDING**

FOREIGN PATENT DOCUMENTS

(71) Applicant: **Bullrider Spur Company LLC**,
Brighton, CO (US)

EP 2364608 A1 9/2011

(72) Inventors: **Terry W. Williams**, Brighton, CO
(US); **Billy G. Martin**, Brighton, CO
(US)

OTHER PUBLICATIONS

“GWG: Super Grip Gator Bull Spur”. Found online May 29, 2020
at getwesterngear.com. Reference dated Jul. 22, 2008. Retrieved
from [https://tineye.com/search/
fd6fd1a9159435c2f4bce0c52d76ca5ab0378159?page=1&sort=crawl_
date&order=asc&extension_ver=chrome-1.3.0.*](https://tineye.com/search/fd6fd1a9159435c2f4bce0c52d76ca5ab0378159?page=1&sort=crawl_date&order=asc&extension_ver=chrome-1.3.0.*)

(73) Assignee: **BULLRIDER SPUR COMPANY
LLC**, Brighton, CO (US)

(Continued)

(**) Term: **15 Years**

Primary Examiner — Kendra Leslie Hamilton

(21) Appl. No.: **29/708,188**

(74) *Attorney, Agent, or Firm* — Aileen Law; Oppedahl
Patent Law Firm LLC

(22) Filed: **Oct. 3, 2019**

(51) **LOC (13) Cl.** **30-05**

(52) **U.S. Cl.**
USPC **D30/157**

(57) **CLAIM**

(58) **Field of Classification Search**
USPC D30/157; D2/642, 946, 976
CPC A43C 17/02; A43C 17/04; A43C 17/06
See application file for complete search history.

The ornamental design for a spur for bull riding, as shown
and described.

(56) **References Cited**

DESCRIPTION

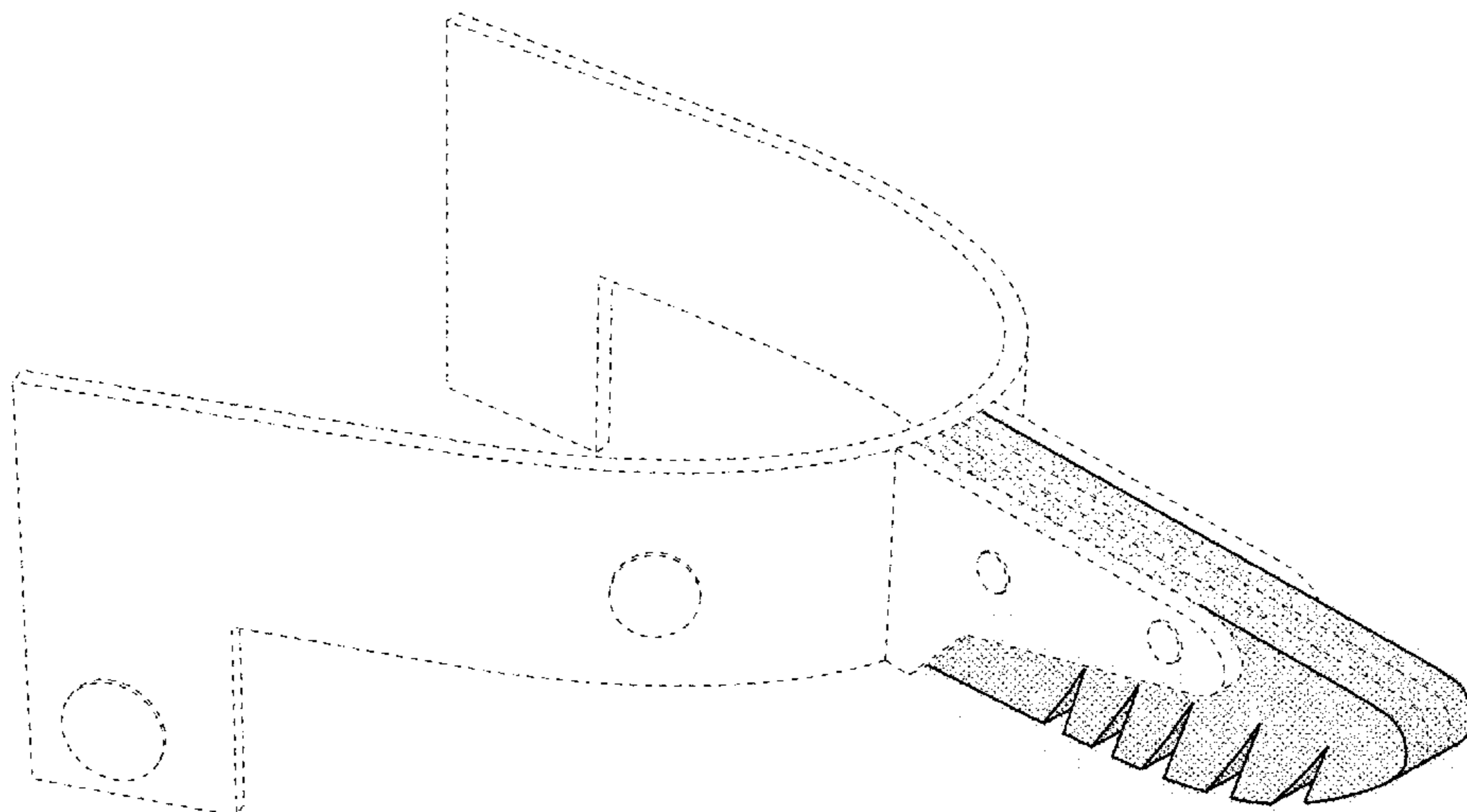
U.S. PATENT DOCUMENTS

215,504 A	5/1879	Brown	
655,555 A	8/1900	Jackson	
D35,697 S	2/1902	Underwood	
D45,816 S *	5/1914	Monier	D30/157
2,290,445 A *	7/1942	Oleyar	A43C 17/02 54/83.2
2,479,741 A	8/1949	Grimland	
2,907,161 A *	10/1959	Chandler	A43C 17/02 54/83.1
D190,818 S	7/1961	Norton	
3,153,888 A	10/1964	Garrett	
3,157,013 A *	11/1964	Hayward	A43C 17/02 54/83.1
D209,063 S	10/1967	Natzgar	
D289,809 S *	5/1987	Pela	D30/157
5,913,800 A	6/1999	Williams	
D437,980 S	2/2001	Anderson	

FIG. 1 is a top, front, left, perspective view of a spur for bull riding, showing our new design;
FIG. 2 is a top, front, right, perspective view thereof;
FIG. 3 is a top, back, right, perspective view thereof;
FIG. 4 is a top, back, left, perspective view thereof;
FIG. 5 is a bottom, front, left perspective view thereof;
FIG. 6 is a front elevation view thereof;
FIG. 7 is a back elevation view thereof;
FIG. 8 is a left side elevation view thereof;
FIG. 9 is a right side elevation view thereof;
FIG. 10 is a top plan view thereof; and,
FIG. 11 is a bottom view thereof.
The claim also includes a second embodiment of the spur for bull riding that is a mirror image of FIGS. 1-11.
The broken lines in the figures form no part of the claimed design.

(Continued)

1 Claim, 11 Drawing Sheets



(56)

References Cited

U.S. PATENT DOCUMENTS

6,192,663	B1 *	2/2001	Gatlin	A43B 3/0063
				54/83.1
6,339,915	B1	1/2002	Bradbury	
D527,496	S *	8/2006	Peart	D30/157
D613,911	S *	4/2010	Hauck-Hasmatali	D30/157
D629,600	S *	12/2010	Mandalia	D2/976
2002/0108357	A1 *	8/2002	Martin	A43C 17/04
				54/83.1
2006/0042201	A1 *	3/2006	Curry	A43C 17/06
				54/83.1
2007/0033911	A1 *	2/2007	Sprenger	A43C 17/00
				54/83.2
2008/0016828	A1 *	1/2008	Strauss	A43C 17/04
				54/83.2
2011/0225937	A1	9/2011	Chang	
2015/0335101	A1	11/2015	Monroy et al.	

OTHER PUBLICATIONS

“Tanner Spurs: Custom Offset”. Found online May 29, 2020 at facebook.com. Reference dated May 19, 2014. Retrieved from <https://www.facebook.com/562644177157315/photos/a.564540066967726/663661867055545/?type=3>.*

“BBar: Bull Riding Spur”. Found online May 29, 2020 at bbarbwholesale.com. Reference dated Sep. 4, 2010. Retrieved from www.bbarbwholesale.com/bull-riding-spurs-degree-p-452.html.*

* cited by examiner

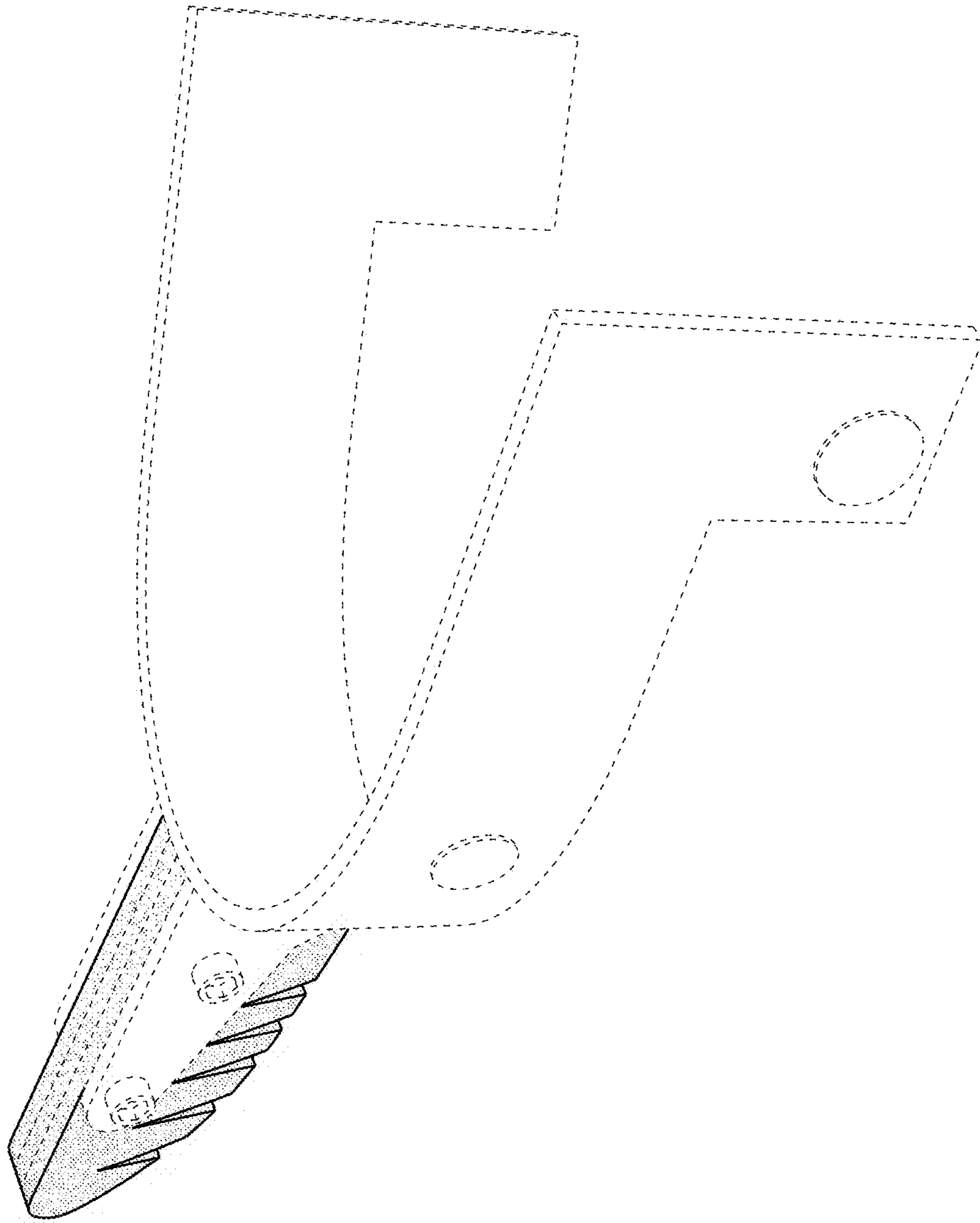


FIG. 1

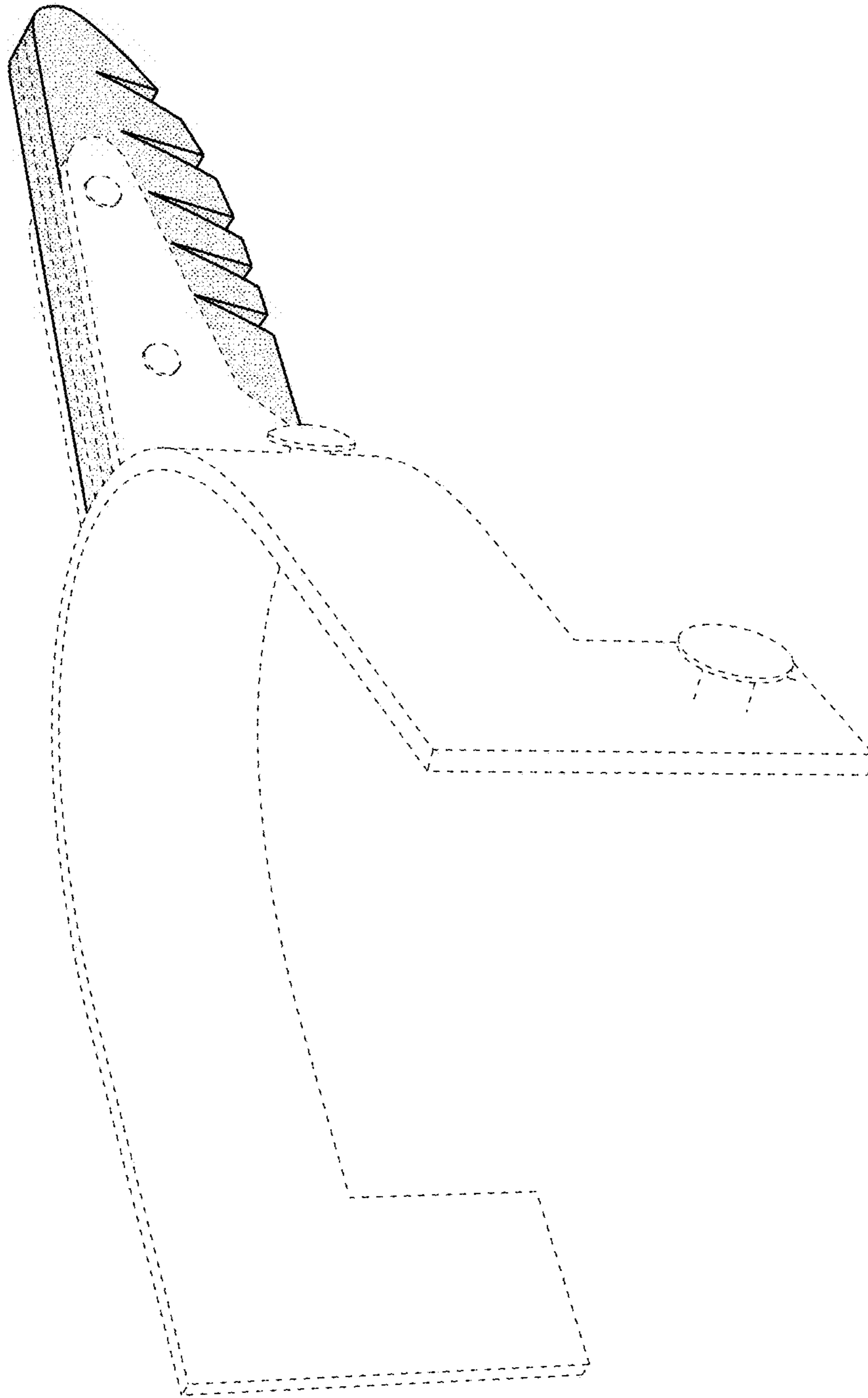


FIG.2

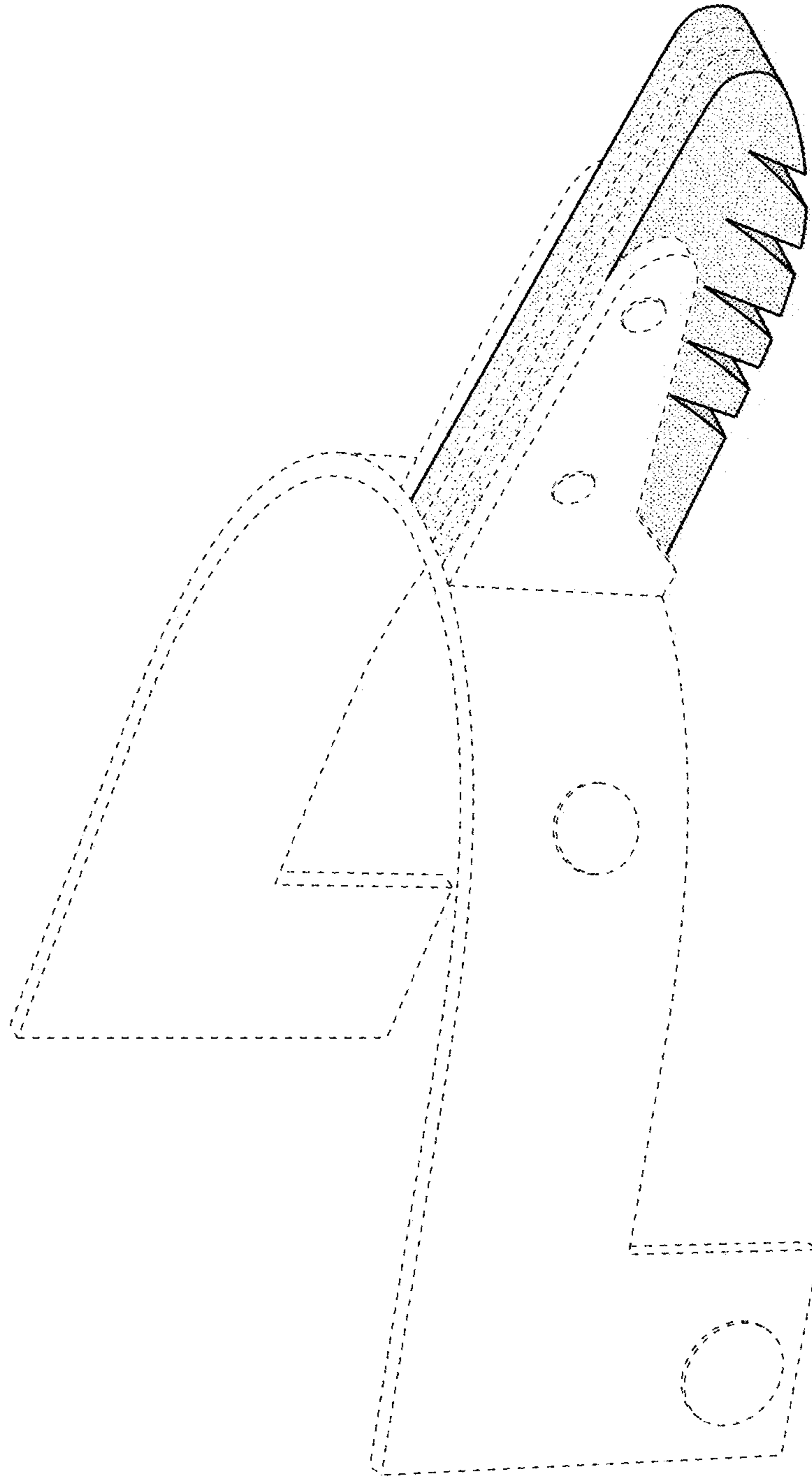


FIG.3

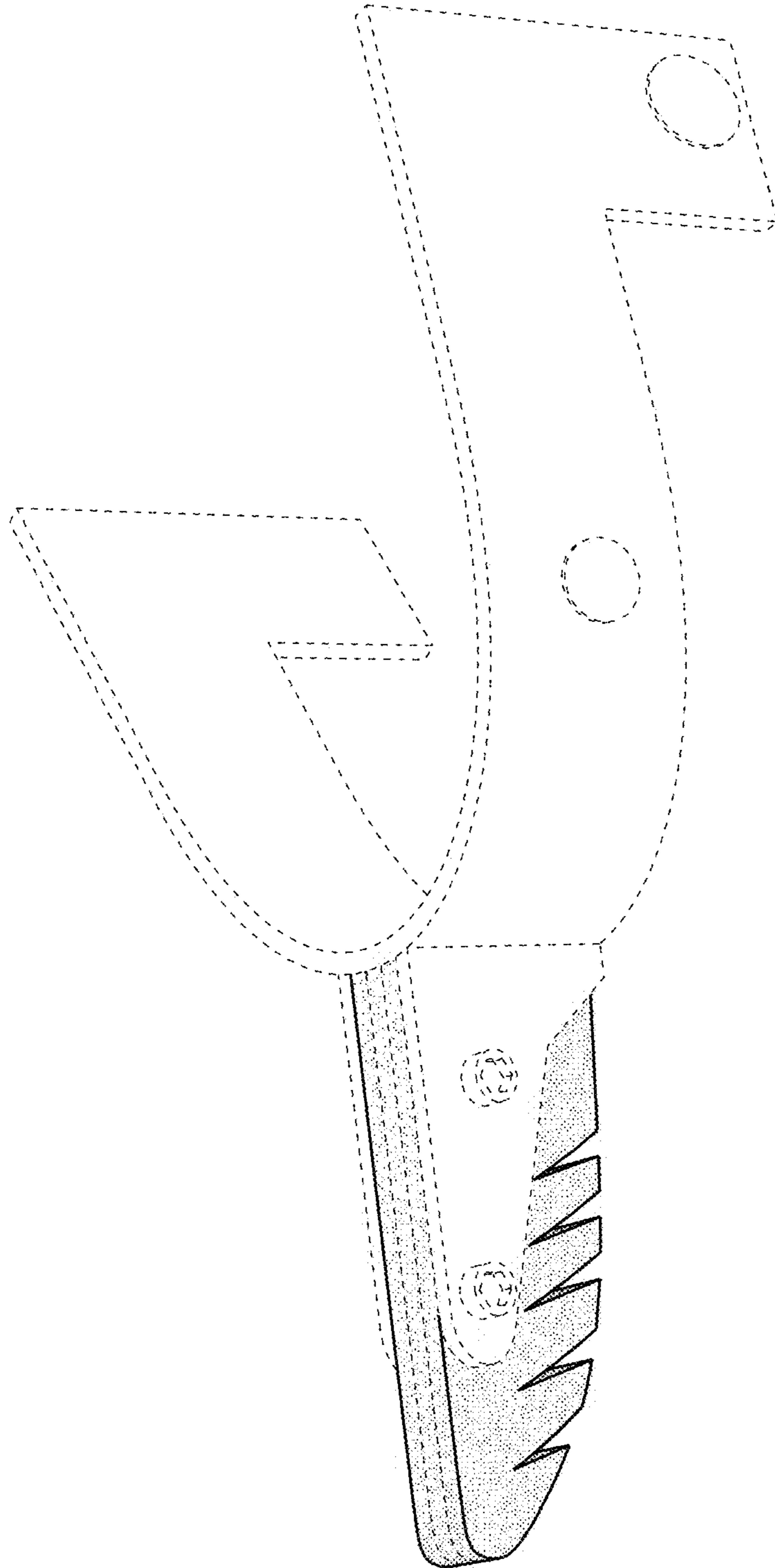


FIG.4

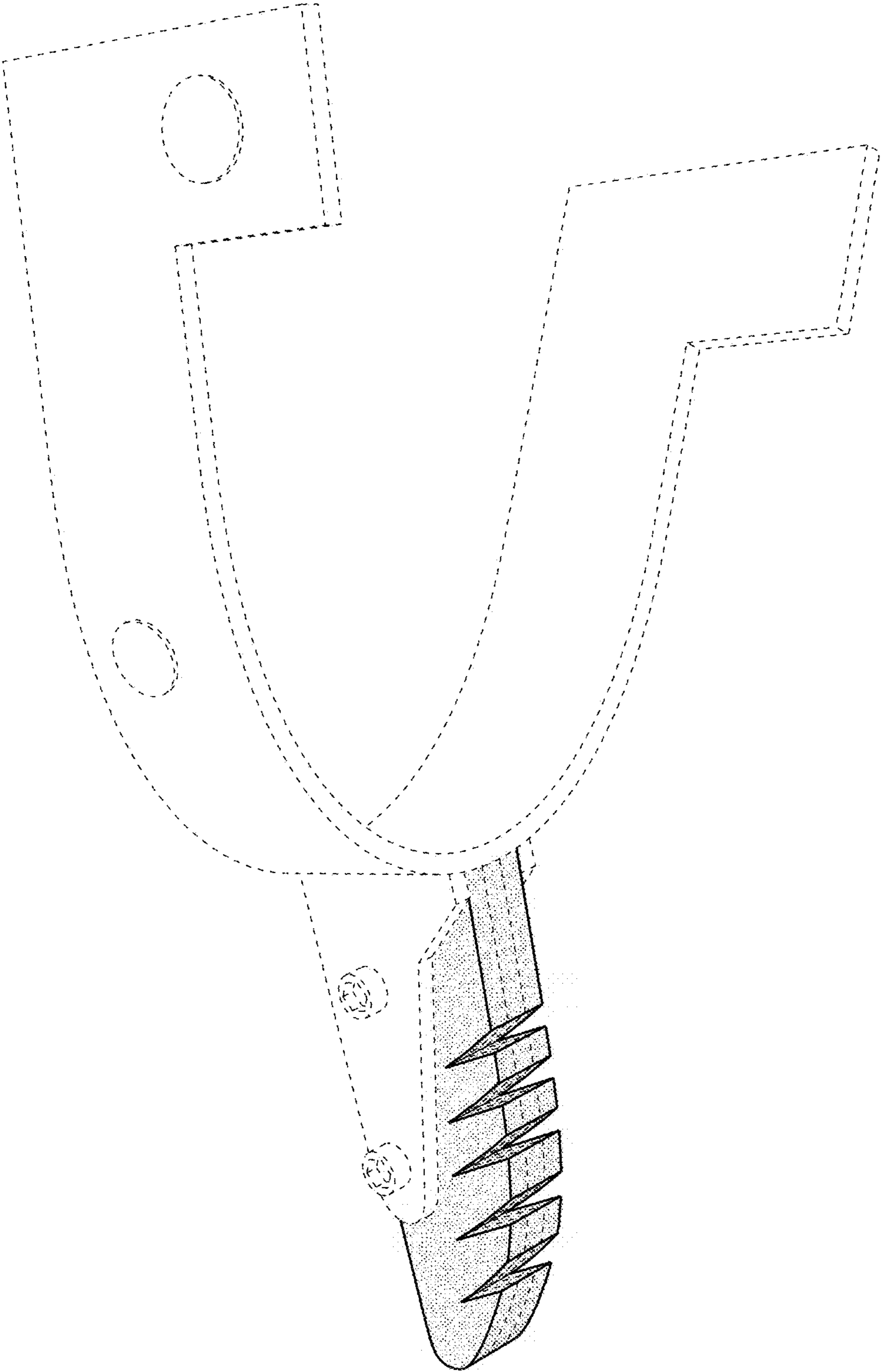


FIG.5

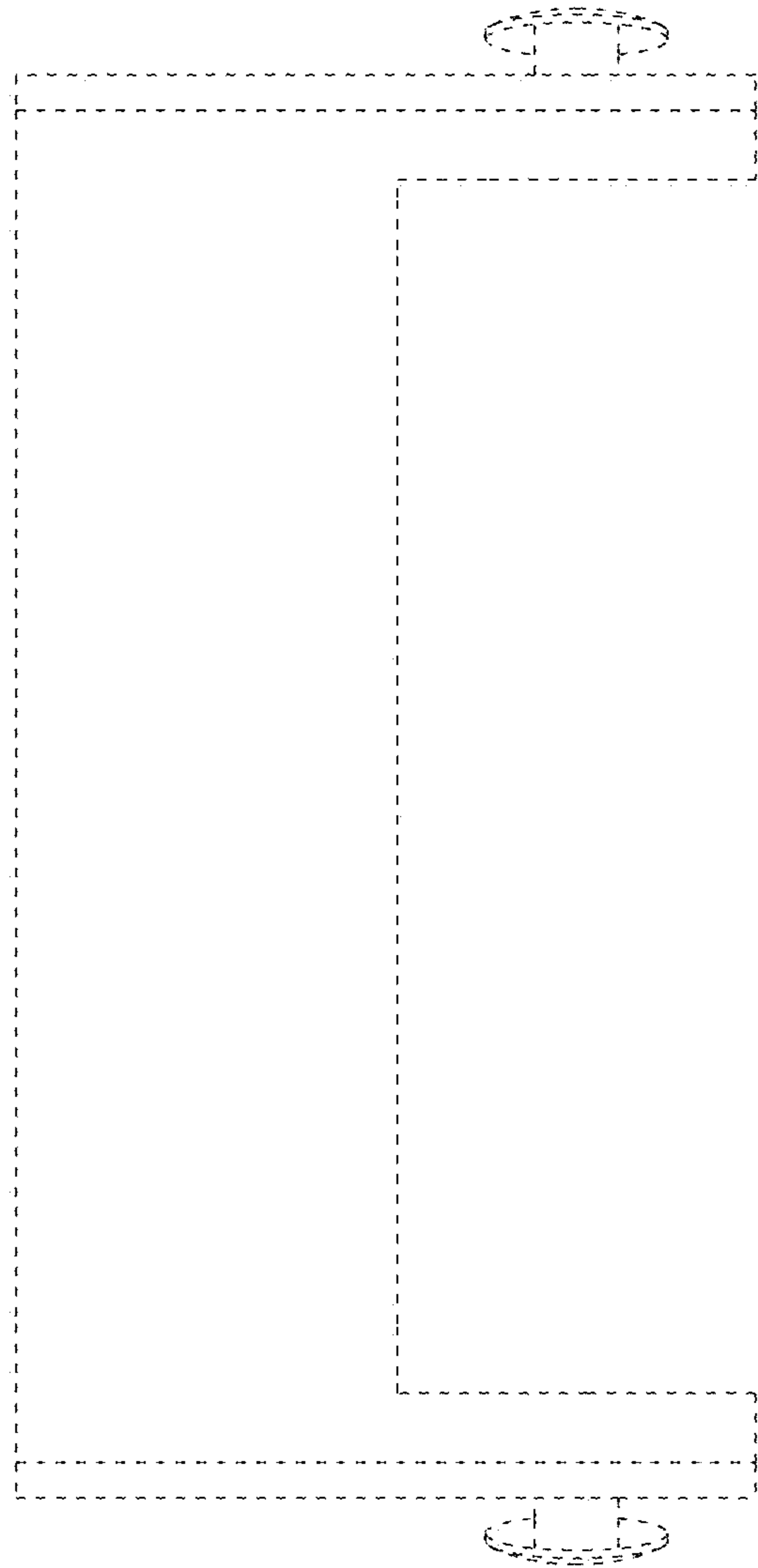


FIG. 6

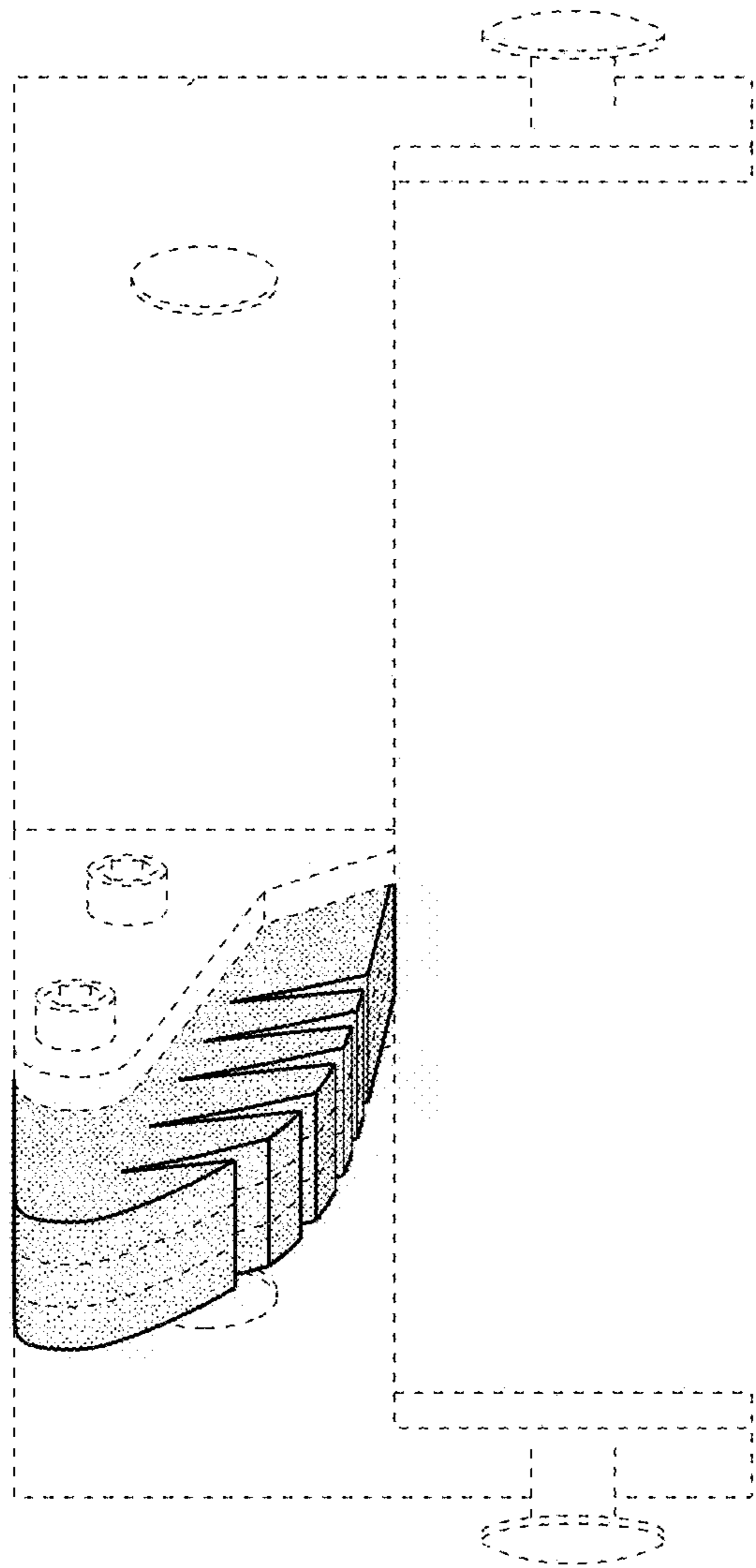


FIG. 7

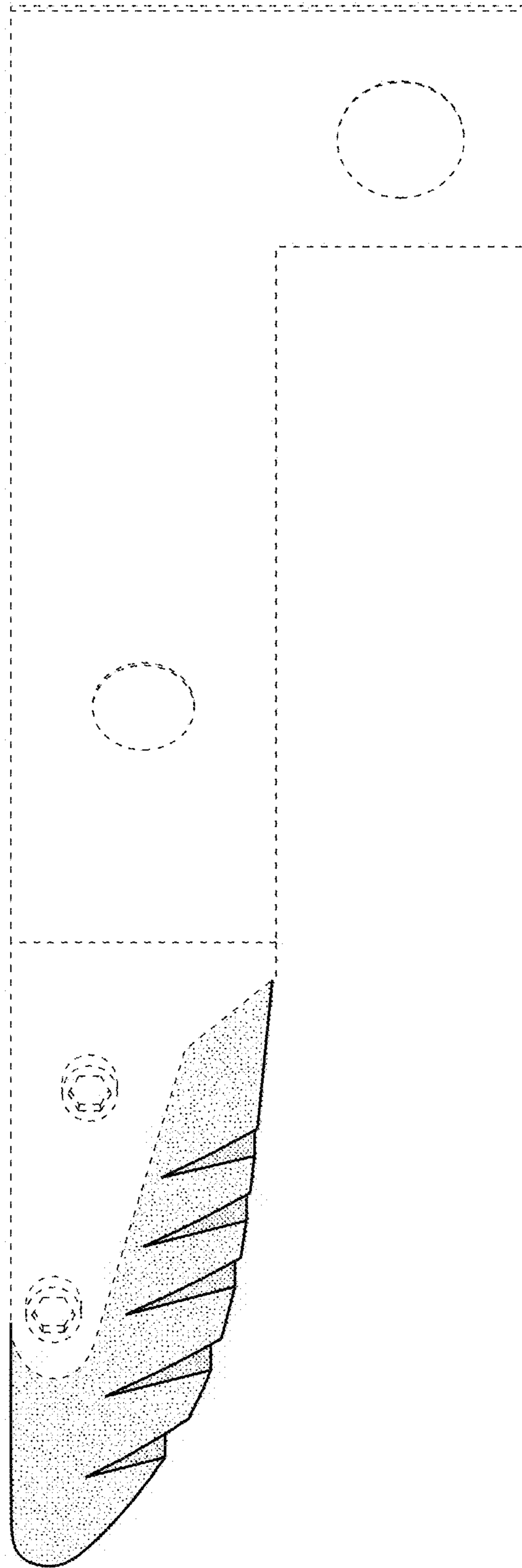


FIG. 8

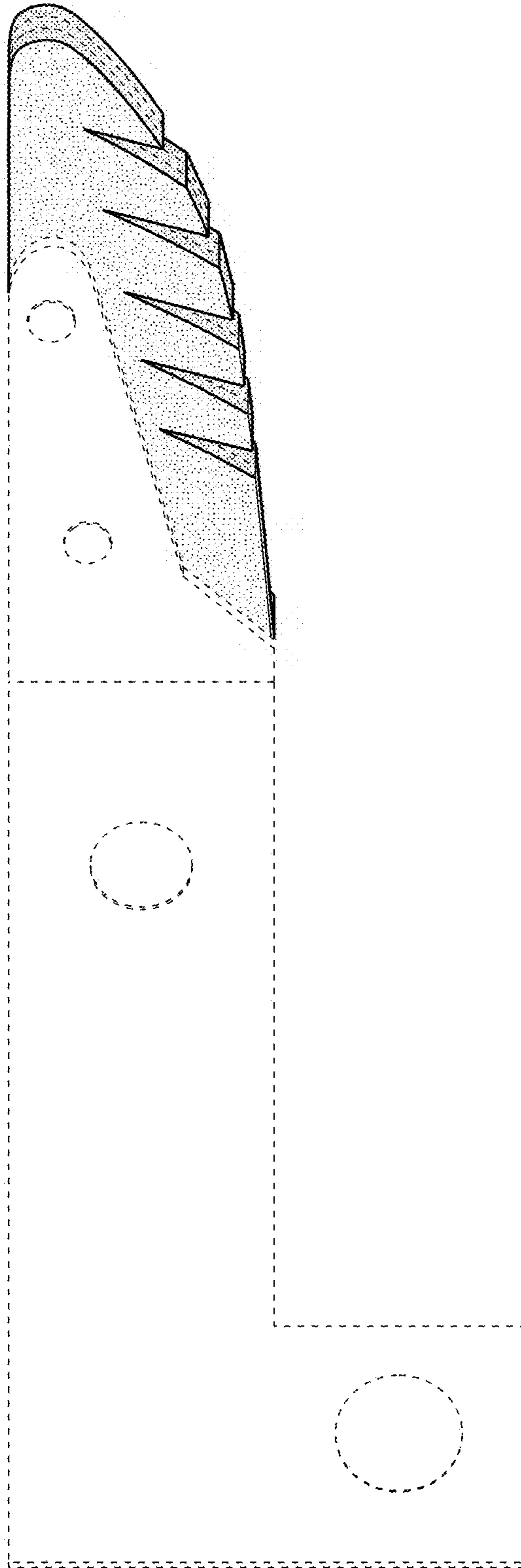


FIG.9

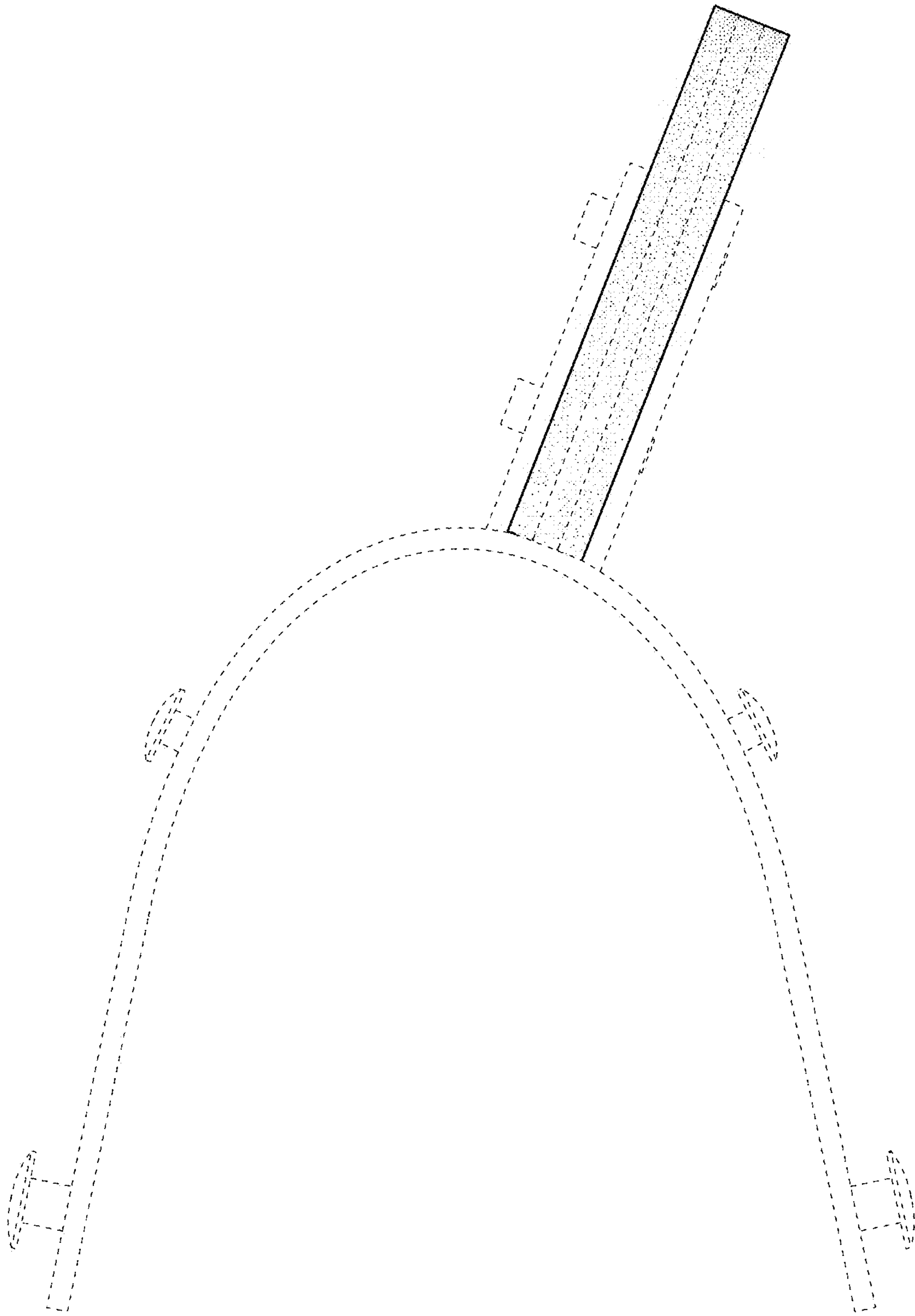


FIG.10

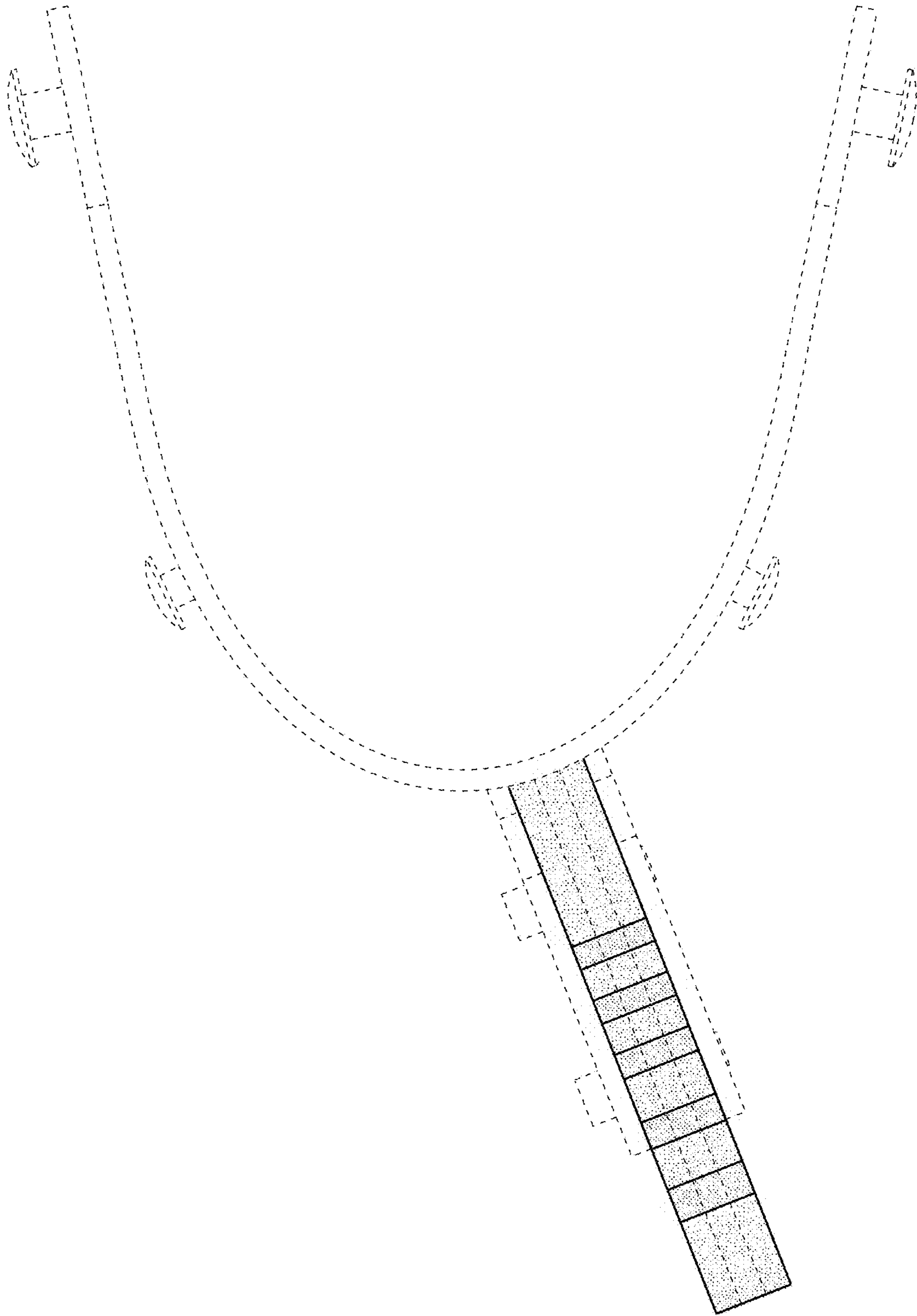


FIG.11