



US00D915690S

(12) **United States Design Patent**  
**Younani**

(10) **Patent No.:** **US D915,690 S**

(45) **Date of Patent:** **\*\* Apr. 6, 2021**

(54) **COLLAR AND HARNESS ID BAND**

362/216, 355, 108; 283/72, 74, 75, 103,  
283/105, 106, 449; 229/72, 92, 92.1,  
229/300-303; 224/222, 184, 249, 676;  
70/18

(71) Applicant: **Sarges Younani**, Brentwood, CA (US)

(72) Inventor: **Sarges Younani**, Brentwood, CA (US)

(Continued)

(\*\*) Term: **15 Years**

(56)

**References Cited**

(21) Appl. No.: **29/636,895**

U.S. PATENT DOCUMENTS

(22) Filed: **Feb. 12, 2018**

D253,731 S \* 12/1979 Mayfield ..... D30/155  
D362,070 S \* 9/1995 Willis ..... D24/186

(51) **LOC (13) Cl.** ..... **30-08**

(52) **U.S. Cl.**

(Continued)

USPC ..... **D30/155**

*Primary Examiner* — Susan Moon Lee

(58) **Field of Classification Search**

(57)

**CLAIM**

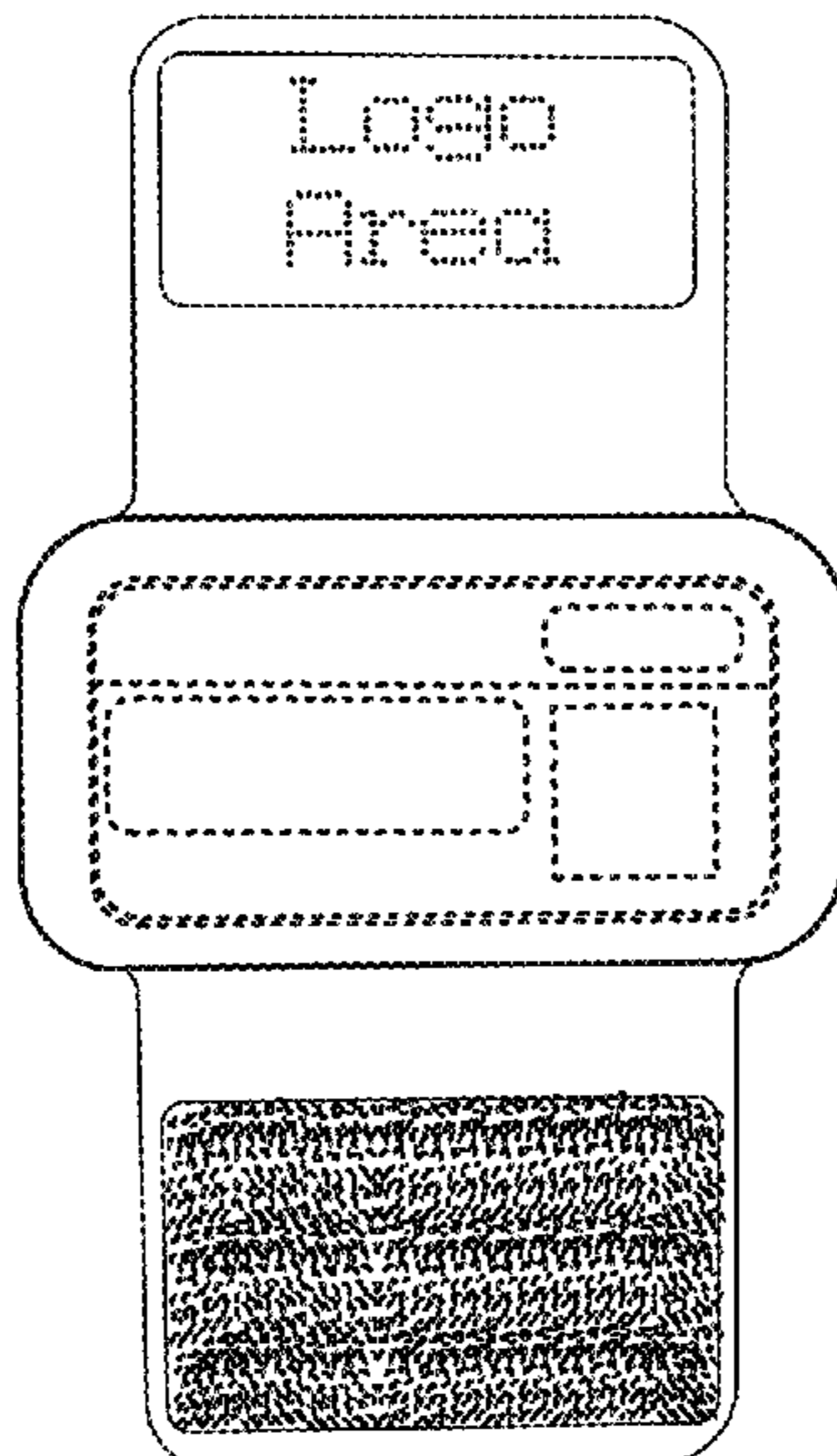
USPC ..... D30/155, 199, 144-146, 151-153;  
119/856, 858, 859, 860, 863, 865, 654,  
119/712-714, 716, 720-726, 762, 763,  
119/792, 816, 818, 850, 853, 174, 855,  
119/862, 760, 789, 796, 815, 821;  
D11/1-39, 131, 131.1, 133, 140, 155,  
D11/157, 93, 79, 80, 81-83, 86, 40-44,  
D11/94, 200, 201, 106, 114-116, 99, 220,  
D11/214, 218; 40/304, 300, 665, 640,  
40/633, 726, 776, 617, 625, 628, 631,  
40/632; 63/3, 3.1, 3.2, 5, 15.1-15.4,  
63/15.45, 15.5, 15.6, 15.65, 15.7, 26-28,  
63/1.11, 1.13-1.17, 5.1, 6, 7, 12, 15, 21,  
63/33, 40, 41, 23, 14.1, 18-20, 11;  
D10/30-32, 111, 38; D24/211, 186, 187;  
D28/41; D23/366, 367; D8/383, 349,  
D8/394, 395, 396, 355, 356; D6/332,  
D6/468; D21/683; D5/45, 46, 7, 13;  
D29/120.1, 100, 101.5; D2/609, 627,  
D2/614, 628, 624, 632, 894, 891;  
D26/11, 26, 113-118; D20/10, 22, 27,  
D20/40, 42, 11; D9/434; 428/690;  
359/516; 2/232, 22, 468, 338; 424/411;  
600/38; 24/180, 625, 188, 662, 647,  
24/16 PB, 30.5 R, 30.5 P, 30.5 S, 17 AP,  
24/19; 439/352; 206/347; 362/103, 104,

I claim the ornamental design for a collar and harness ID band, as shown and described.

**DESCRIPTION**

FIG. 1 is a top view of a collar and harness ID band with the mounting straps wrapped around and secured to an exemplary collar in accordance with an embodiment of the present design;  
FIG. 2 is a bottom view of the embodiment shown in FIG. 1;  
FIG. 3 is a left sideview of the embodiment shown in FIG. 1;  
FIG. 4 is a right side view of the embodiment shown in FIG. 1;  
FIG. 5 is a top view of the embodiment shown in FIG. 1 with the mounting straps in a detached and open position; and,  
FIG. 6 is a bottom view of the embodiment shown in FIG. 1 with the mounting straps in a detached and open position. The broken lines showing an exemplary ID tag inserted into the pocket of the ID band and the exemplary collar to which the ID band is attached are for illustrative purposes only and form no part of the claimed design.

**1 Claim, 4 Drawing Sheets**



(58) **Field of Classification Search**

CPC .... A01K 11/00; A01K 11/006; A01K 11/008;  
 A01K 35/00; A01K 13/00; G09F 3/005;  
 G09F 3/02; G09F 3/00; G09F 3/04; A44C  
 5/00; A44C 5/0007; A44C 5/0015; A44C  
 5/0023; A44C 5/003; A44C 5/0053; A44C  
 5/0084; A44C 5/14; A44C 5/18; A44C  
 5/2076; A44B 11/02; A44B 11/065; A43C  
 11/146; A43C 11/1486; F16B 2/08; F16L  
 3/2334; Y10T 24/153; Y10T 24/155;  
 Y10T 24/158; Y10T 24/1498; Y10T  
 24/15; Y10T 24/141; Y10T 24/1412;  
 B65D 63/1027; B65D 33/1616

See application file for complete search history.

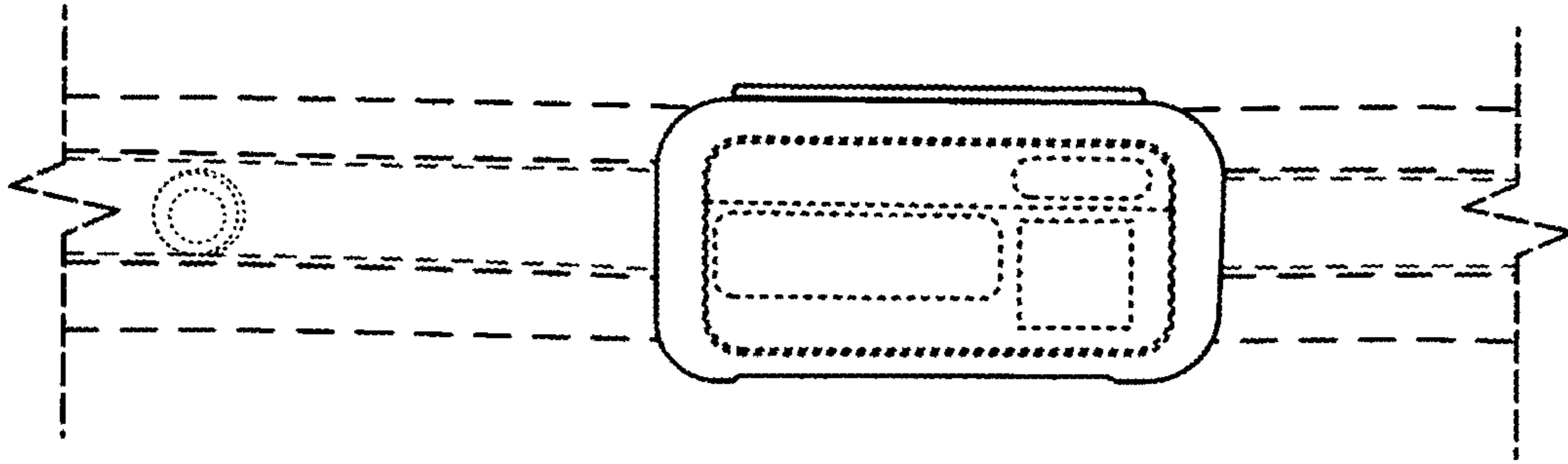
(56) **References Cited**

U.S. PATENT DOCUMENTS

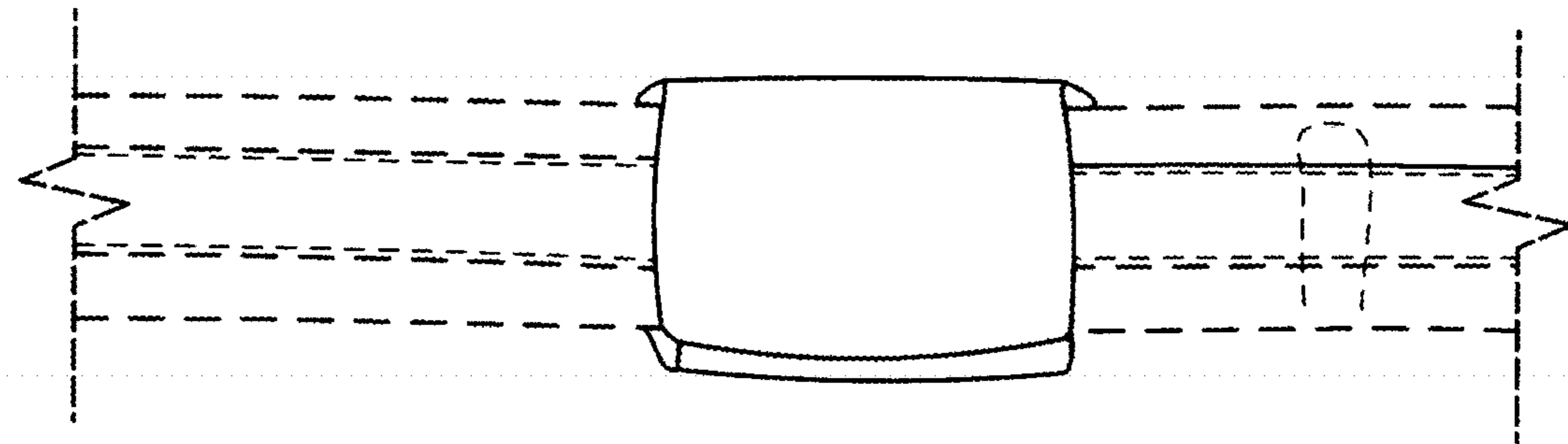
5,735,800 A \* 4/1998 Yasukawa ..... A61B 5/02438  
 600/310  
 D398,999 S \* 9/1998 Maeda ..... D24/165  
 D403,070 S \* 12/1998 Maeda ..... D24/165  
 D458,421 S \* 6/2002 Wasserman ..... D20/27  
 D667,126 S \* 9/2012 Cho ..... D24/186  
 D725,652 S \* 3/2015 Ishii ..... D14/344  
 D725,841 S \* 3/2015 So ..... D30/152  
 D738,772 S \* 9/2015 Choi ..... D11/3

D759,622 S \* 6/2016 Dahlberg ..... D14/138 R  
 D764,323 S \* 8/2016 Yang ..... D10/70  
 D767,436 S \* 9/2016 Goodner ..... D11/3  
 D768,528 S \* 10/2016 Jung ..... D11/3  
 D768,529 S \* 10/2016 Jung ..... D11/3  
 D779,357 S \* 2/2017 Aumiller ..... D11/3  
 D794,261 S \* 8/2017 Pulliam ..... D30/152  
 D795,120 S \* 8/2017 Bayley ..... D11/3  
 D795,731 S \* 8/2017 Bayley ..... D11/3  
 D813,074 S \* 3/2018 Bayley ..... D11/3  
 D817,784 S \* 5/2018 Swenson ..... D10/32  
 D823,557 S \* 7/2018 Kuh ..... D30/152  
 D846,748 S \* 4/2019 Benedikter ..... D24/186  
 D850,317 S \* 6/2019 Hinds ..... D11/3  
 D854,167 S \* 7/2019 Bahney ..... A61B 5/0408  
 D24/186  
 D860,006 S \* 9/2019 Cotnoir ..... D10/32  
 D864,535 S \* 10/2019 Johnson ..... D2/946  
 D865,759 S \* 11/2019 Haranaka ..... D14/344  
 D866,937 S \* 11/2019 Johnson ..... D2/946  
 D890,933 S \* 7/2020 Shurtliff ..... D24/186  
 D891,286 S \* 7/2020 Worth ..... D11/3  
 D897,868 S \* 10/2020 Wright ..... D10/32  
 D899,273 S \* 10/2020 Wright ..... A45C 13/008  
 D10/32  
 2015/0366098 A1 \* 12/2015 Lapetina ..... A45F 5/00  
 361/807  
 2016/0367149 A1 \* 12/2016 Lartey ..... A61B 5/681  
 2017/0017279 A1 \* 1/2017 Saeidi ..... G04G 17/00

\* cited by examiner



*FIG. 1*



*FIG. 2*

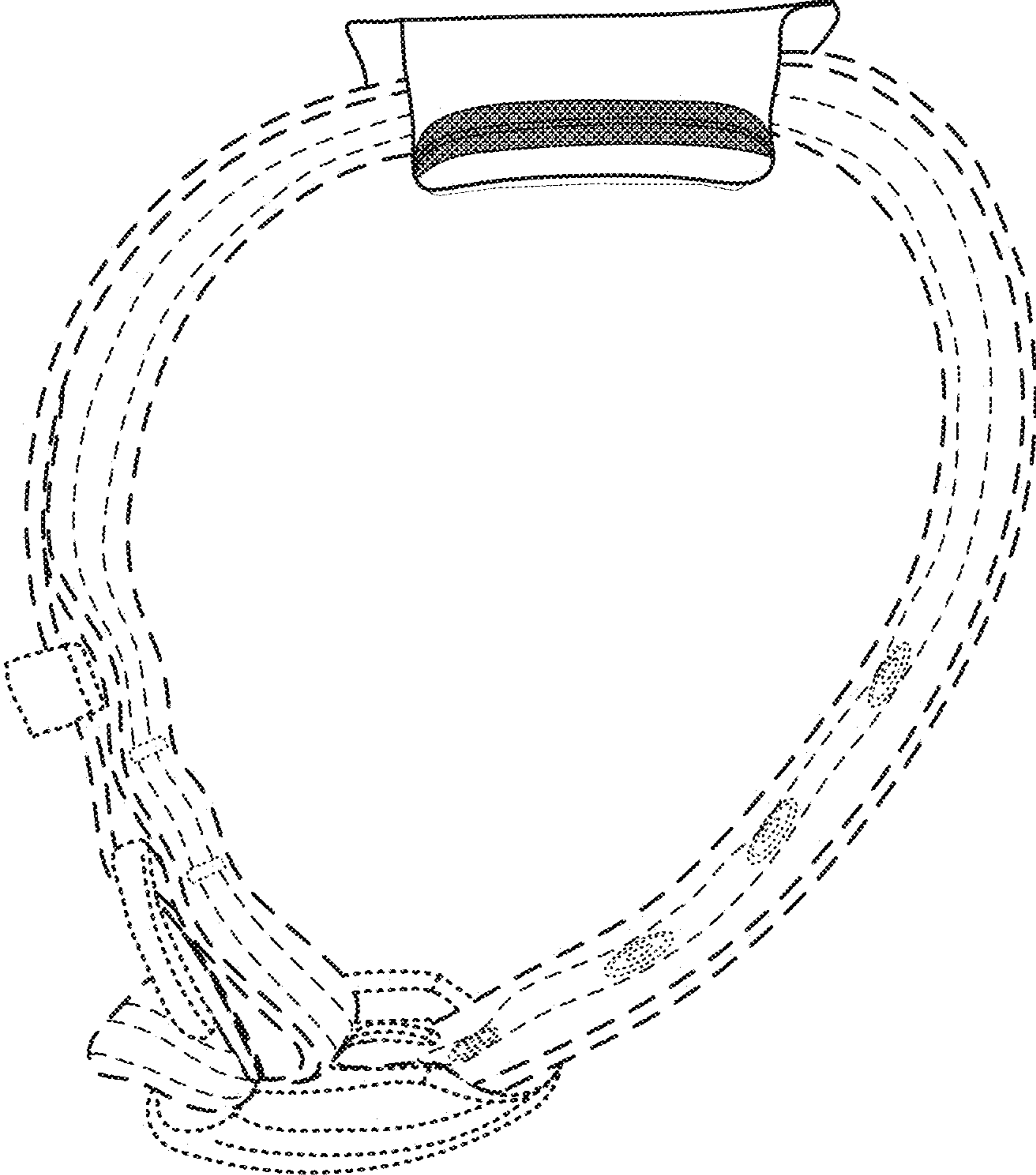


FIG. 3



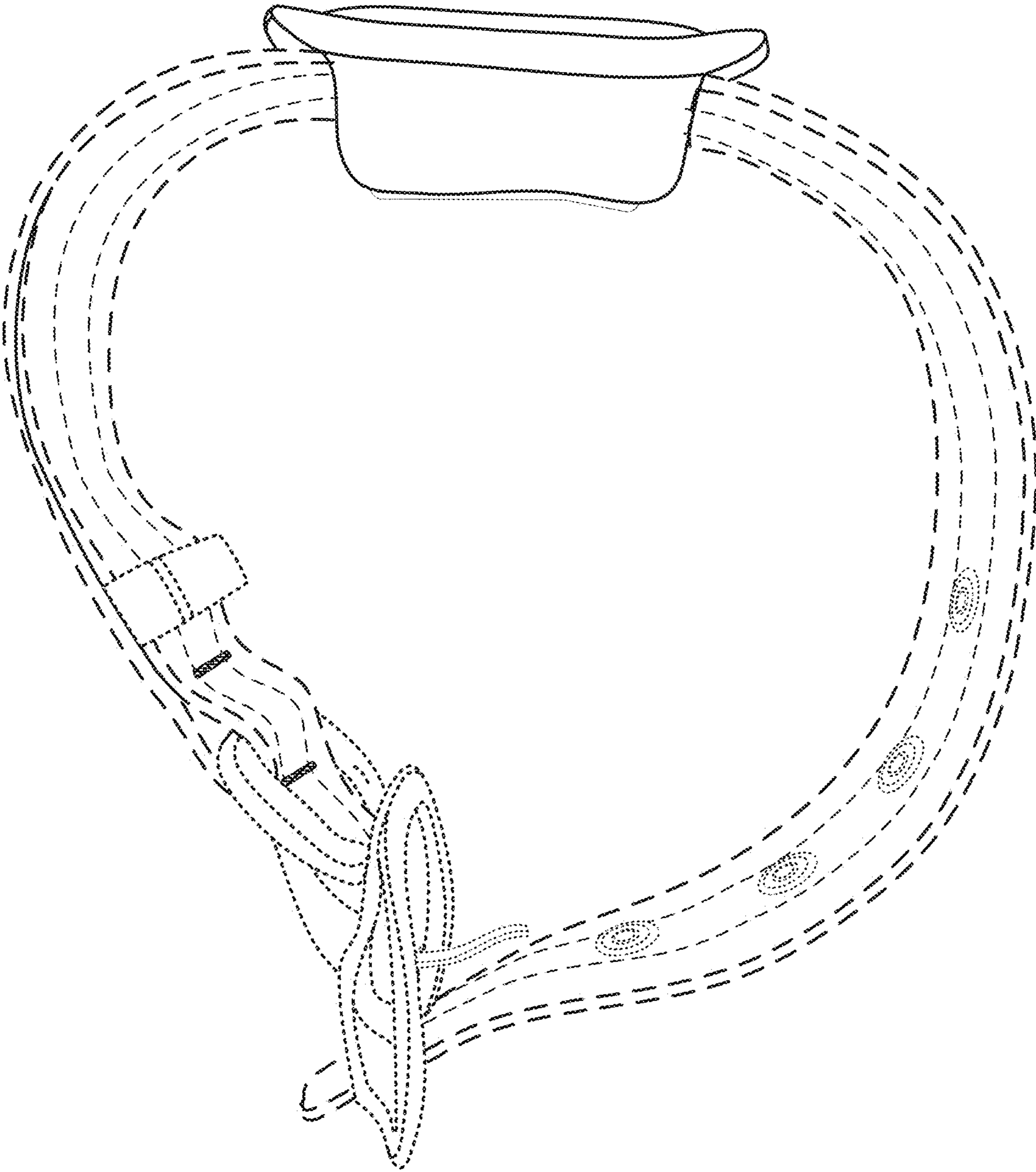
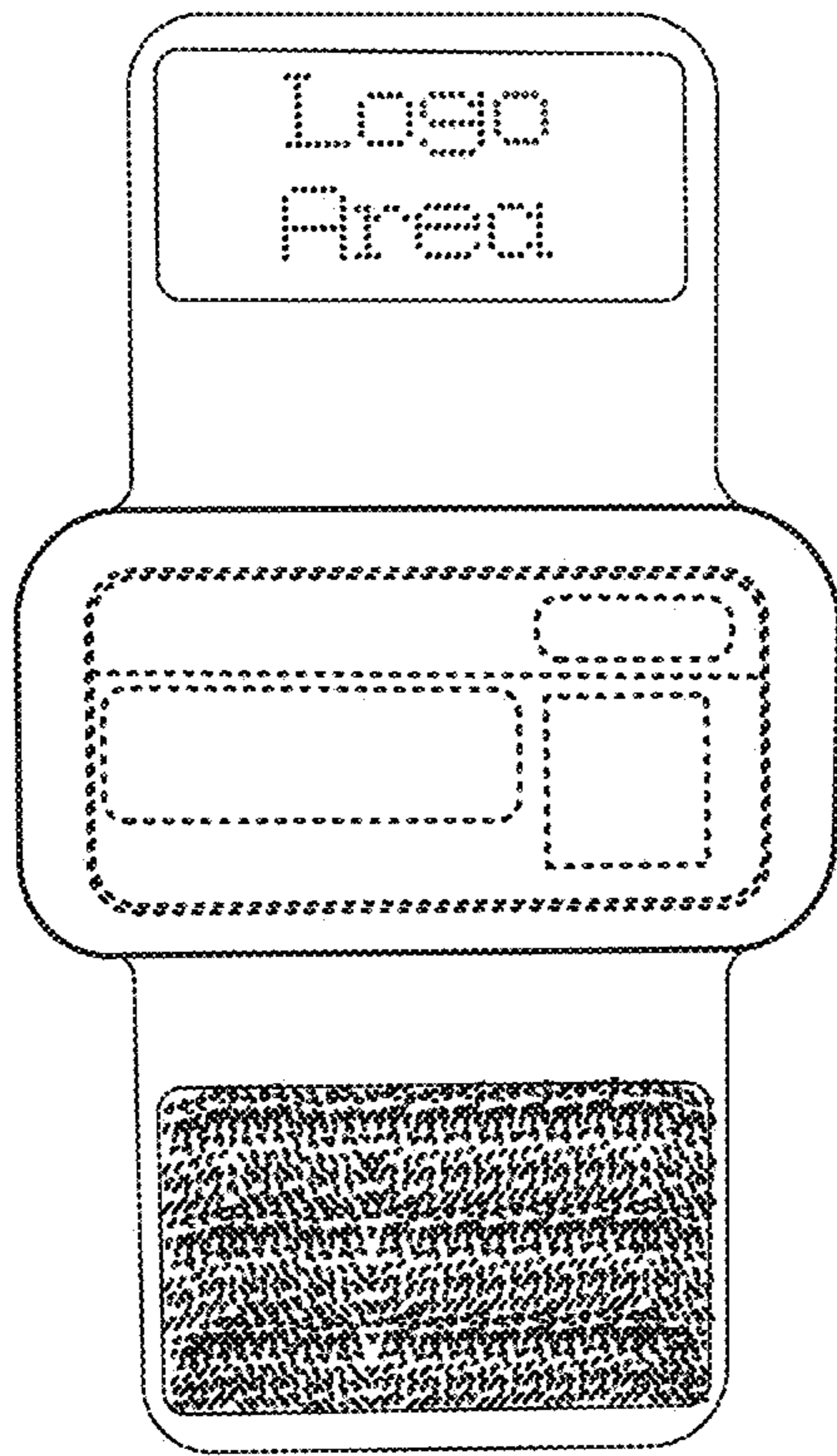
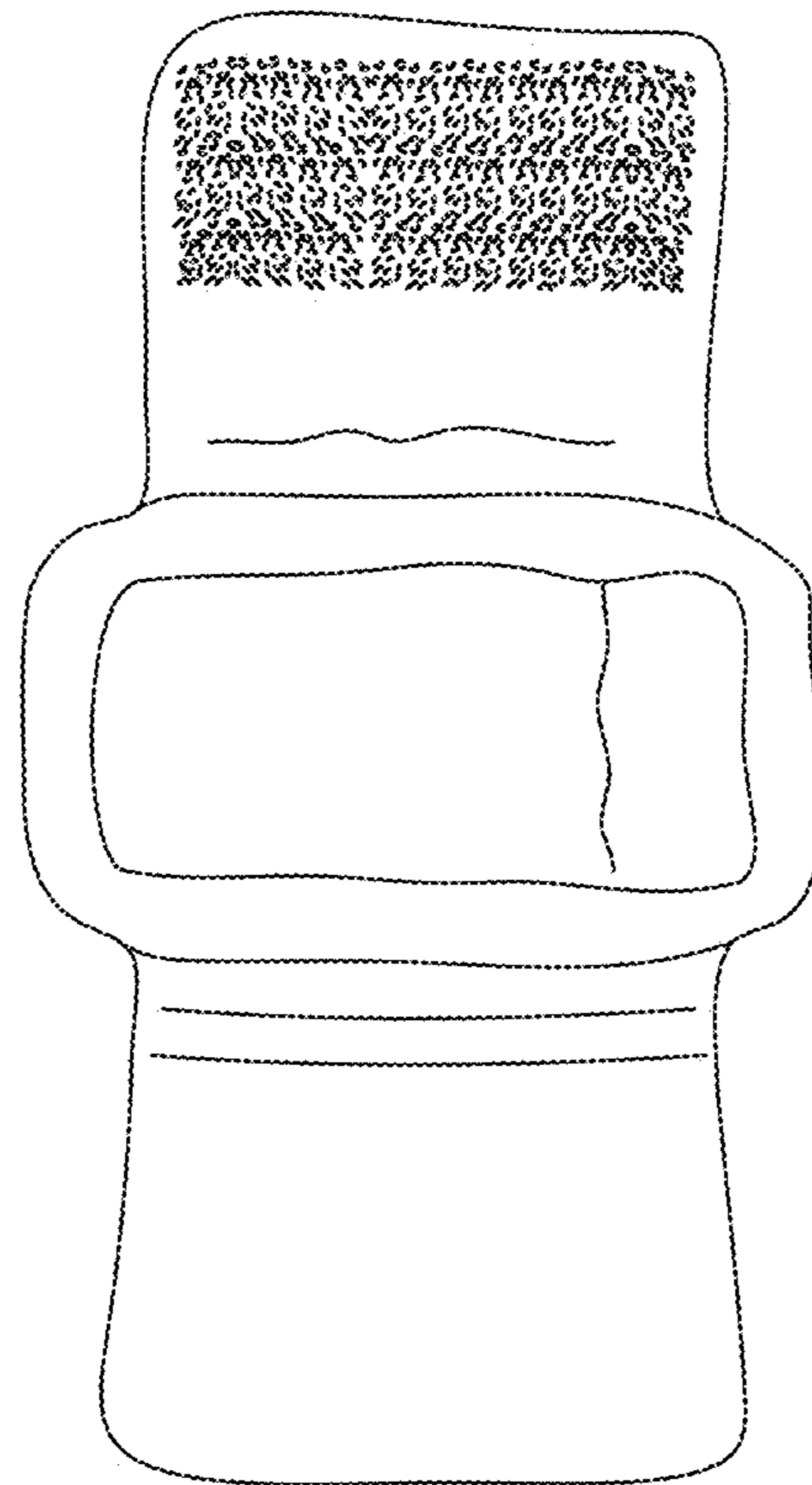


FIG. 4



*FIG. 5*



*FIG. 6*