



US00D915689S

(12) **United States Design Patent** (10) **Patent No.:** **US D915,689 S**
Lacher et al. (45) **Date of Patent:** **** Apr. 6, 2021**

(54) **HARNESS**

FOREIGN PATENT DOCUMENTS

(71) Applicants: **Brett Lacher**, Tucson, AZ (US); **Ryan Fitzpatrick**, Tucson, AZ (US)

GB 2416288 1/2006 A01K 27/00
GB 2489200 9/2012 A01K 27/00

(72) Inventors: **Brett Lacher**, Tucson, AZ (US); **Ryan Fitzpatrick**, Tucson, AZ (US)

OTHER PUBLICATIONS

(**) Term: **15 Years**

“Halti Nylon Dog Headcollar”. Found online Dec. 3, 2020 at chewy.com. Reference dated Aug. 7, 2015. Retrieved from https://www.chewy.com/halti-nylon-dog-headcollar/dp/117355?utm_source=google-product&utm_medium=cpc&utm_campaign=hg&utm_content=Halti&utm_term=&gclid=Cj0KCCQiAtqL-BRC0ARIsAF4K3WGBs4MH15J5GirctQlp6-WuBgMyY.*

(21) Appl. No.: **29/691,836**

(22) Filed: **May 20, 2019**

(51) **LOC (13) Cl.** **30-04**

(52) **U.S. Cl.**
USPC **D30/152**

(58) **Field of Classification Search**
USPC D30/136, 137, 144, 145, 151, 152;
D24/190; D29/101.1, 101.3, 101.4;
D3/327

CPC A01K 27/002; A01K 15/04
See application file for complete search history.

(Continued)

Primary Examiner — Kendra Leslie Hamilton
(74) *Attorney, Agent, or Firm* — Hayes Soloway P.C.

(56) **References Cited**

(57) **CLAIM**

We claim the ornamental design for a harness, as shown and described.

U.S. PATENT DOCUMENTS

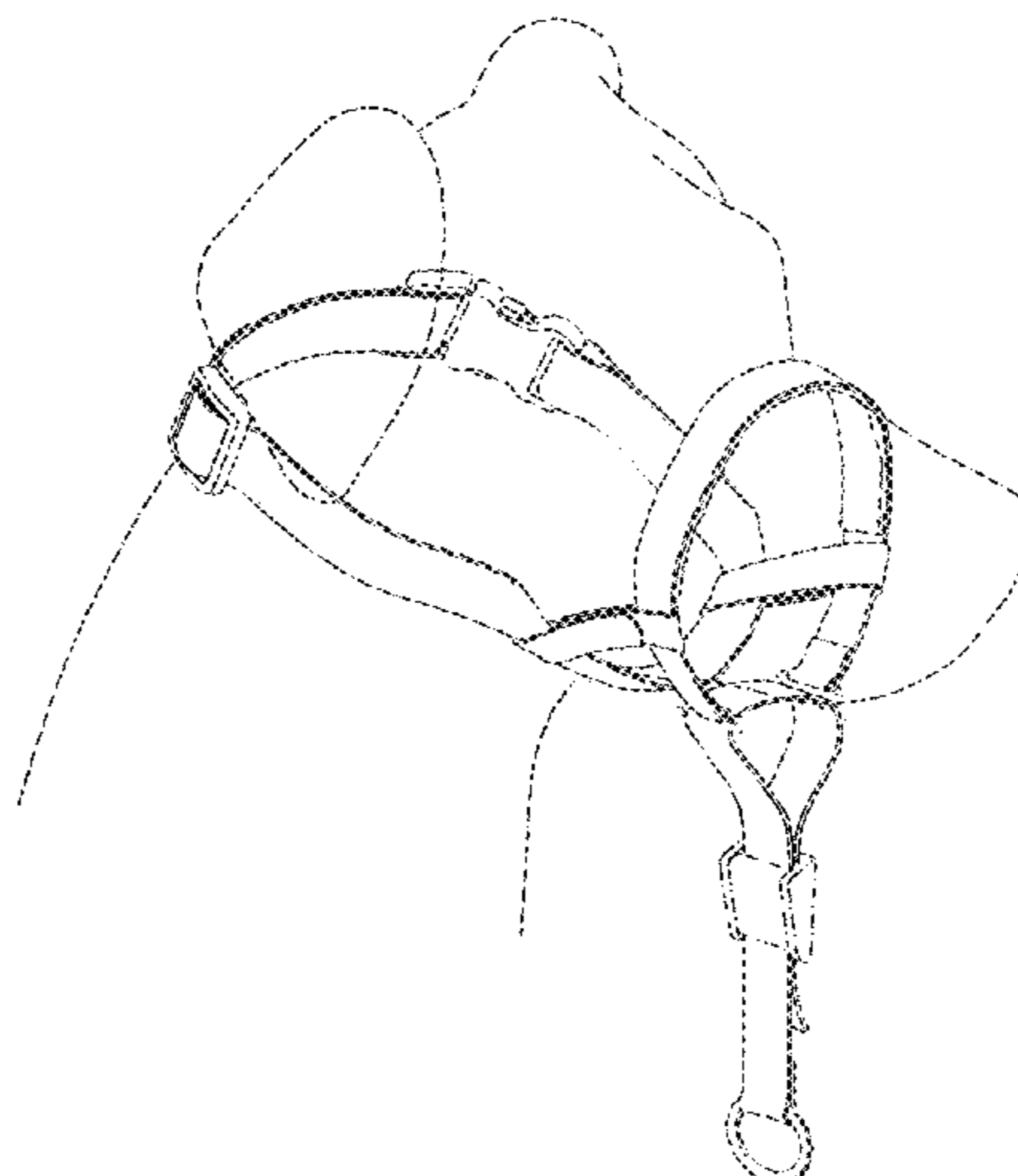
DESCRIPTION

4,483,275 A * 11/1984 De Groot A01K 27/00
119/793
D289,810 S * 5/1987 Kotas D24/191
5,074,011 A 12/1991 Carlson 24/170
5,088,272 A 2/1992 Anderson et al. 54/24
D378,150 S 2/1997 Dubarry D30/152
5,732,660 A 3/1998 David et al. 119/792
5,992,352 A 11/1999 Borchelt et al. 119/856
6,062,005 A * 5/2000 Roberts B68B 1/02
54/24
6,295,795 B1 10/2001 Ehrmann 54/34
D458,717 S 6/2002 Mugford D30/152
6,796,274 B1 9/2004 Moynihan, III 119/831
D524,997 S 7/2006 Franco D30/152
D552,805 S * 10/2007 Holt, Jr. A01K 27/00
D30/152
D564,139 S * 3/2008 Nichols D30/152
D571,058 S * 6/2008 Grooms D30/152
7,444,960 B1 * 11/2008 Williams A01K 25/00
119/761
D664,309 S 7/2012 Mugford D30/152

FIG. 1 is a top, front, left perspective view of a harness showing our new design;
FIG. 2 is a front elevation view thereof;
FIG. 3 is a rear elevation view thereof;
FIG. 4 is a left side elevation view thereof;
FIG. 5 is a right side elevation view thereof;
FIG. 6 is a top plan view thereof;
FIG. 7 is a bottom plan view thereof; and,
FIG. 8 is a top, front, left perspective view of the harness of FIG. 1, shown in a condition of use.
In FIGS. 1-8, the dash-dot-dash broken lines depict portions of the harness that form no part of the claimed design. In FIG. 8, the equal-length broken line showing a dog depicts environmental subject matter and forms no part of the claimed design.

1 Claim, 8 Drawing Sheets

(Continued)



(56)

References Cited

U.S. PATENT DOCUMENTS

9,480,240 B2 * 11/2016 Sinko A01K 25/00
D790,780 S * 6/2017 Strengell D30/153
9,781,905 B2 10/2017 Maurer A01K 15/04
D854,916 S * 7/2019 Derr D8/356
10,595,512 B2 * 3/2020 Walshe A01K 25/00
2002/0073936 A1 6/2002 Fields-Babineau 119/863
2007/0028856 A1 * 2/2007 Ma A01K 27/00
119/831
2007/0051324 A1 3/2007 Grayson 119/831
2009/0000570 A1 1/2009 Ashby 119/858
2011/0107982 A1 * 5/2011 Taylor A61D 7/04
119/832

OTHER PUBLICATIONS

“Company Of Animals: Haiti OptiFit Headcollar”. Found online Dec. 1, 2020 at youtube.com. Reference dated Jun. 17, 2016. Retrieved from <https://www.youtube.com/watch?v=938qUYp3rww>.*

“Notes from a Dog Walker: A Head Harness You Won’t Hate—Gentle Leader”. Found online Dec. 3, 2020 at notesfromadogwalker.com. Reference dated Dec. 3, 2012. Retrieved from <https://notesfromadogwalker.com/2012/12/03/a-head-harness-you-wont-hate/>.*

“Weaver Sisal Rope Cattle Halter”. Found online Jan. 30, 2017 at amazon.com. Reference dated Nov. 30, 2014. Retrieved from https://www.amazon.com/...ver-Leather-Cattle-Sisal-Halter/dp/B004IDM3KK/ref=sr_1_13?ie=UTF8&qid=1485807764&sr=8-13&keywords=cow+halter&refinements=p_72%3A2661621011.*

<https://www.petsafe.net/gentleleader—website> accessed May 22, 2019 (7 pages).

* cited by examiner

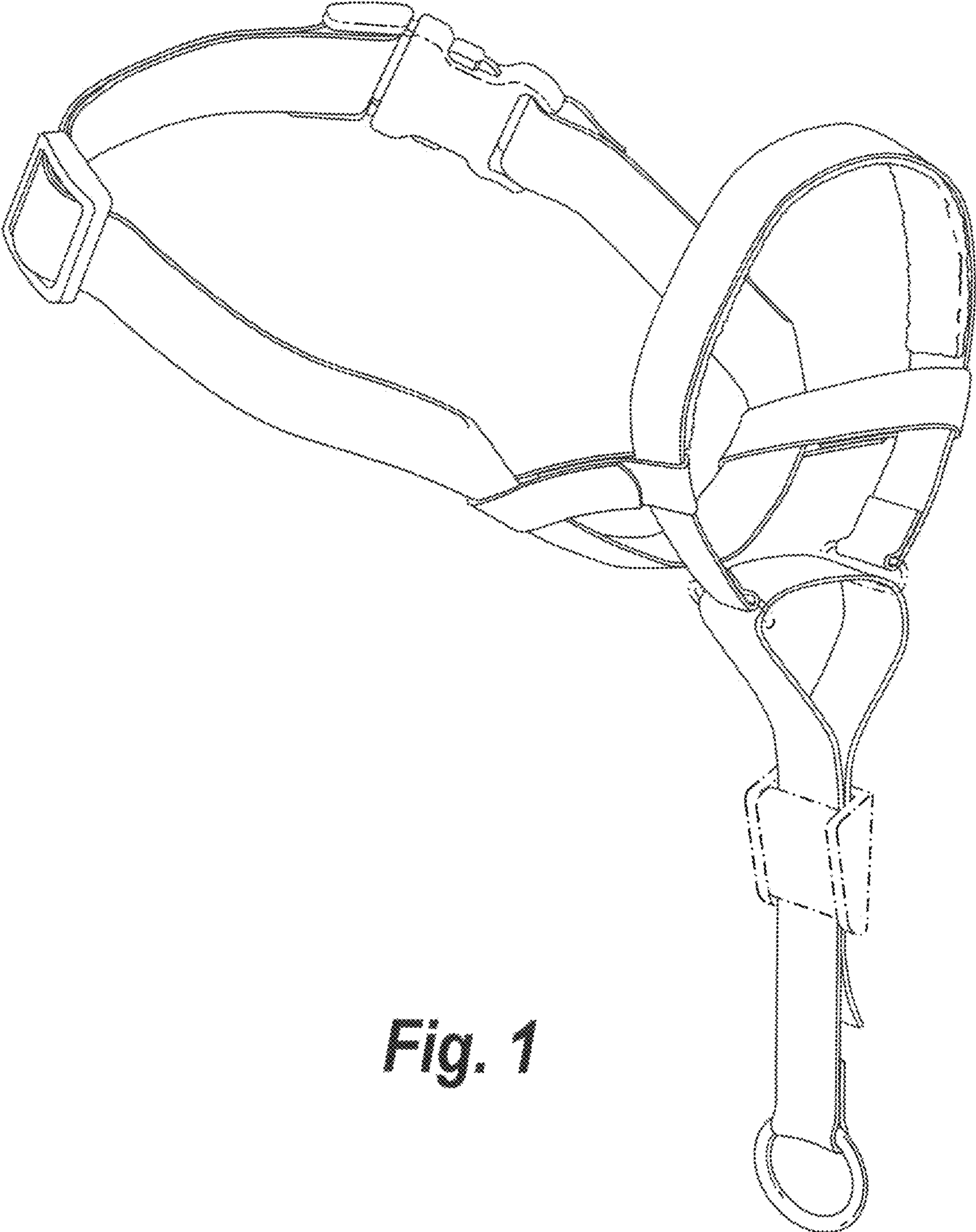


Fig. 1

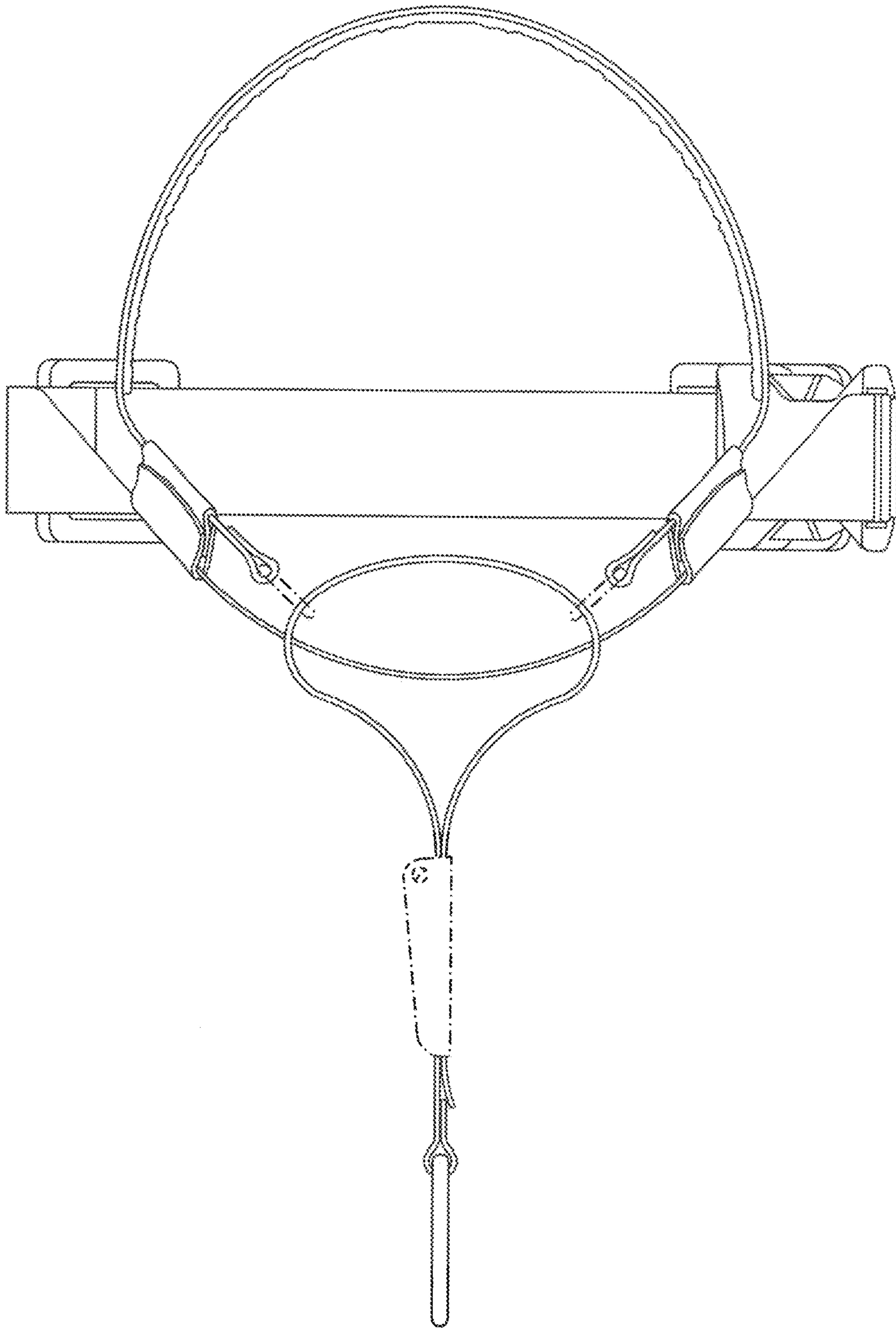


Fig. 2

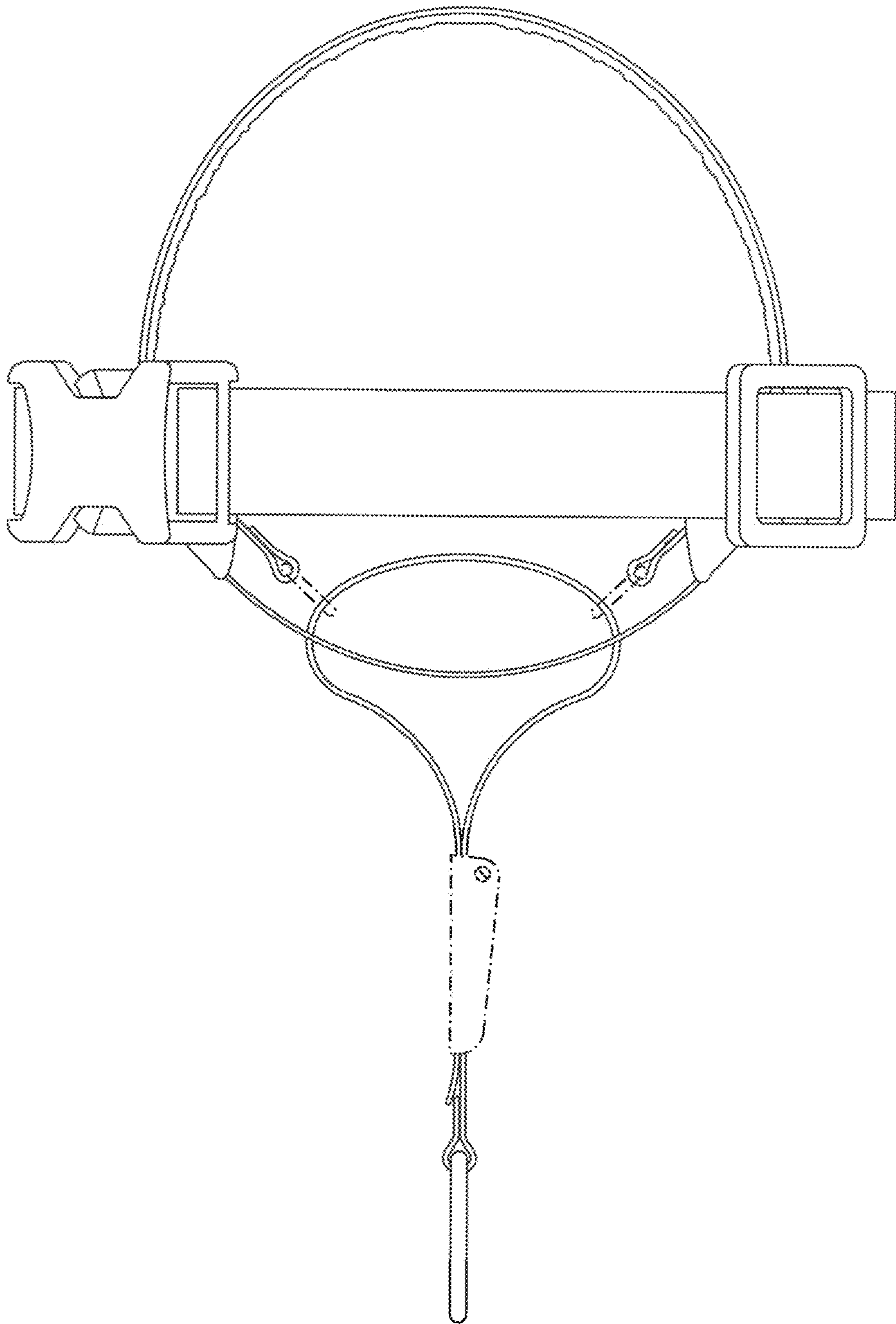


Fig. 3

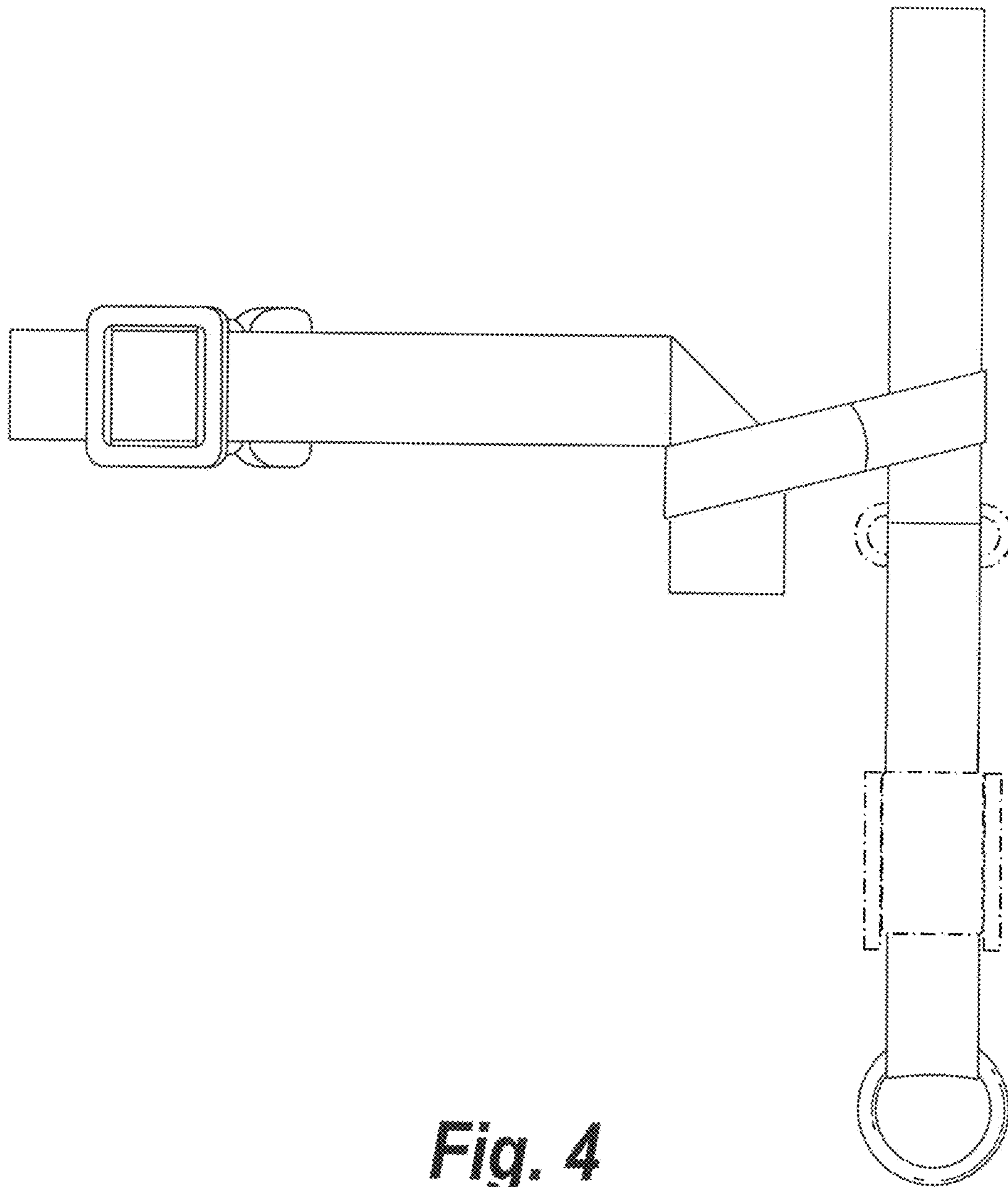


Fig. 4

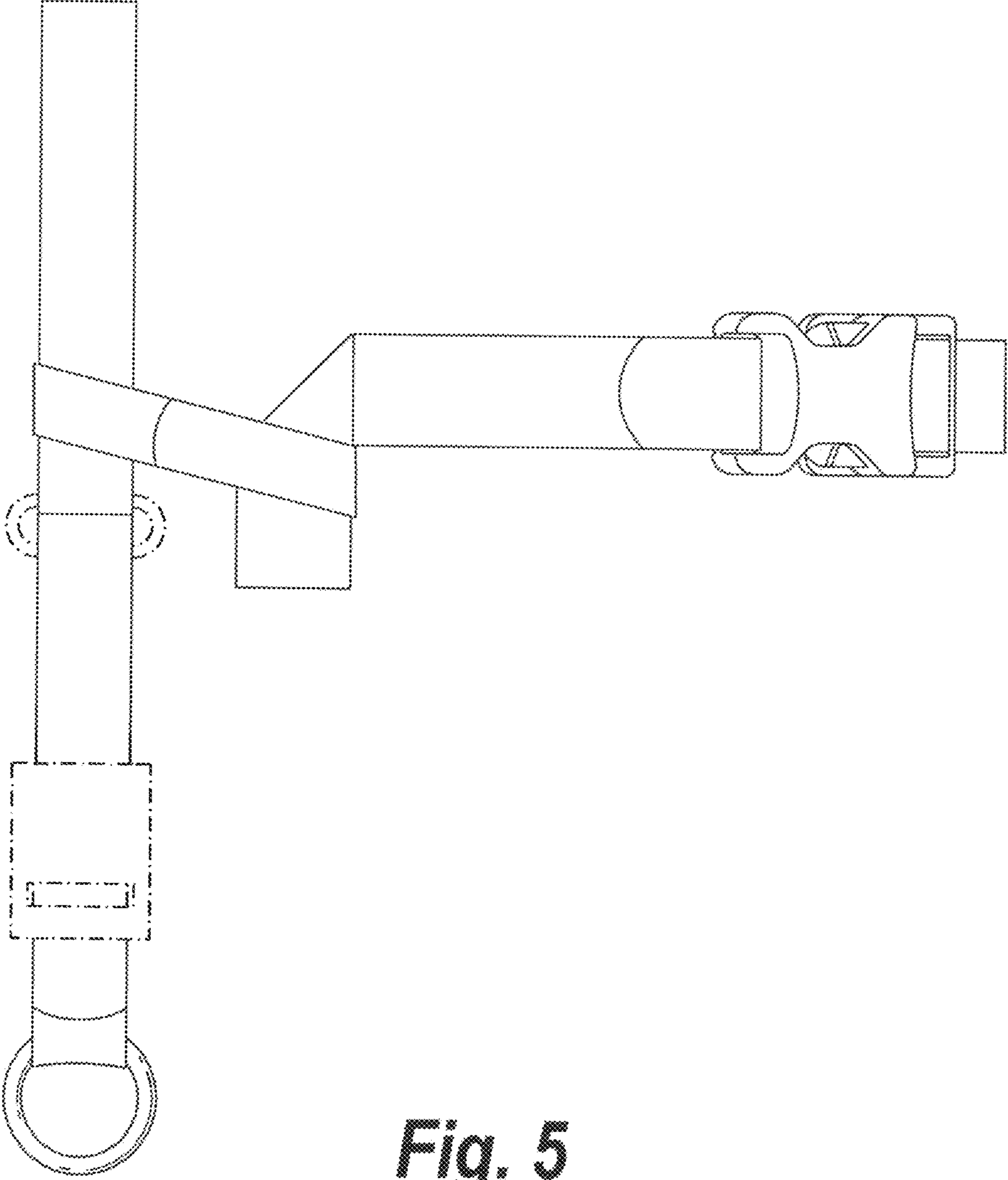


Fig. 5

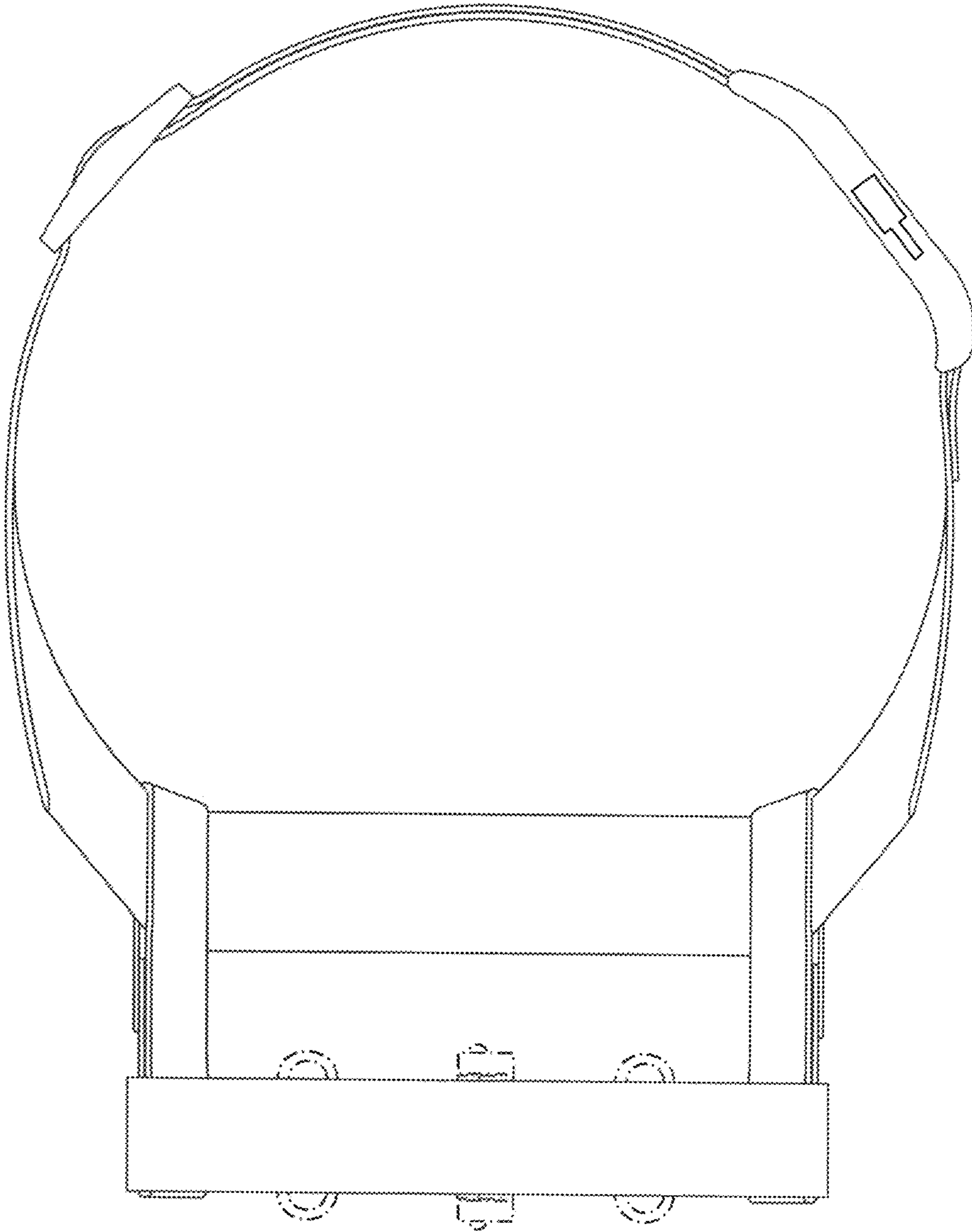


Fig. 6

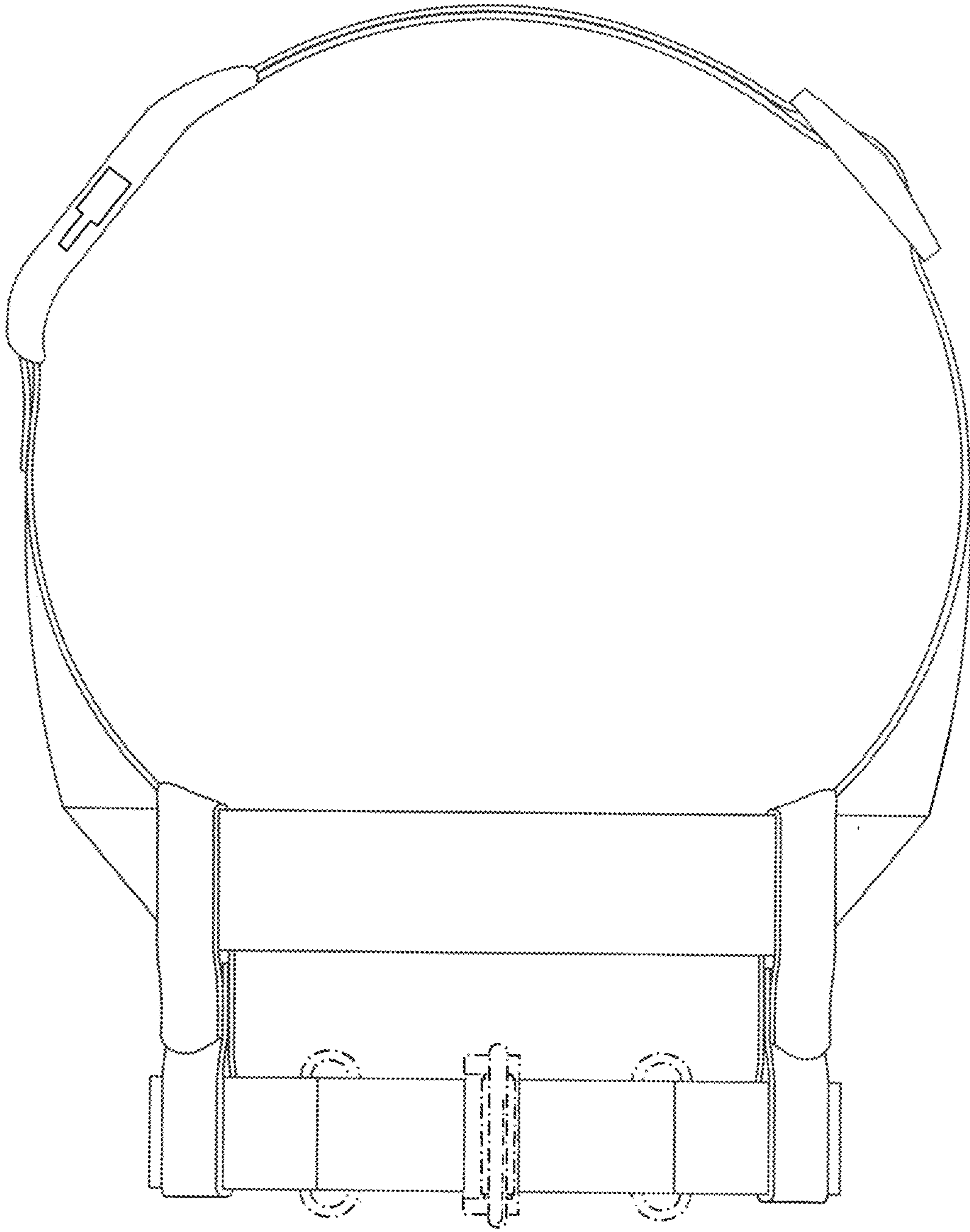


Fig. 7

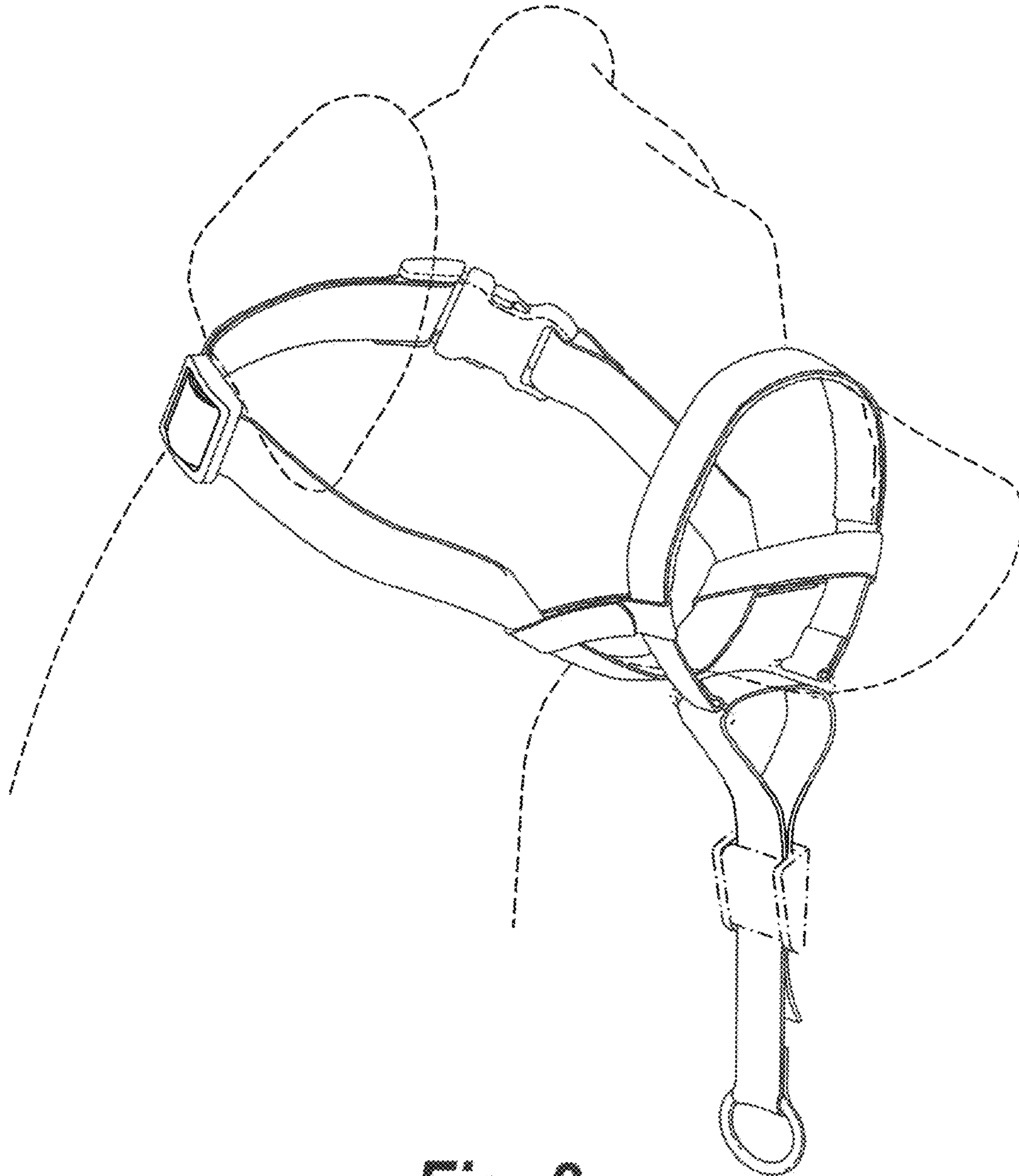


Fig. 8