



US00D915688S

(12) **United States Design Patent** (10) **Patent No.:** **US D915,688 S**
Fan (45) **Date of Patent:** **** Apr. 6, 2021**

(54) **PET DOUBLE BOWL**
(71) Applicant: **Funa Fan**, Guangdong (CN)
(72) Inventor: **Funa Fan**, Guangdong (CN)
(**) Term: **15 Years**
(21) Appl. No.: **29/751,182**
(22) Filed: **Sep. 18, 2020**
(51) **LOC (13) Cl.** **30-03**
(52) **U.S. Cl.**
USPC **D30/130**; D30/121; D30/131
(58) **Field of Classification Search**
USPC D30/133, 121, 128, 130, 132, 122, 129;
119/52.1, 55, 61.5–61.56, 51.01, 51.03,
119/59, 62, 63, 51.5, 57.8, 74, 61;
D6/480–485; 248/188, 151; 312/204;
108/153.1–157, 25–26; 220/23.87, 630,
220/737, 743, 9.4, 495.01, 574, 212, 255,
220/23.83, 575; 206/515, 557, 560, 562,
206/563, 565; D7/586, 543, 550.1, 587,
D7/505, 584, 545, 500, 553.1–553.8, 546,
D7/555, 556, 504, 565, 562, 602, 507,
D7/549, 558, 552.2, 560, 566, 548, 681;
D9/429; 43/109; D22/122; 99/430,
99/DIG. 15
CPC A01K 5/00; A01K 5/01; A01K 5/0107;
A01K 5/0114; A01K 5/0121; A01K
5/0128; A01K 5/0135; A01K 7/005
See application file for complete search history.

(56) **References Cited**
U.S. PATENT DOCUMENTS
D207,198 S * 3/1967 Robert D30/133
D209,677 S * 12/1967 Robert D30/133
D209,678 S * 12/1967 Robert D30/133
D230,033 S * 1/1974 Goldman et al. D30/130
D259,669 S * 6/1981 Peterson D30/130

4,357,905 A * 11/1982 Carpenter A01K 5/0142
119/51.5
D322,887 S * 1/1992 Kraker D12/420
D353,232 S * 12/1994 Chrisco D30/130
D362,090 S * 9/1995 Baldwin D30/130
D373,858 S * 9/1996 Chen D30/130
5,577,461 A * 11/1996 Sebastian A01K 5/0121
119/51.5
D379,684 S * 6/1997 Dennis D30/130
D385,068 S * 10/1997 Malcolm D30/130
D393,107 S * 3/1998 Tsengas D30/121
D467,045 S * 12/2002 Tsengas D30/130
D486,273 S * 2/2004 Tsengas D30/130
D491,697 S * 6/2004 Tsengas D30/130
6,854,419 B1 * 2/2005 Tsengas A01K 5/0114
119/51.5
D512,801 S * 12/2005 Kratzer D30/130
D558,931 S * 1/2008 Hood D30/130
7,685,966 B2 * 3/2010 Goehring A01K 5/0114
119/51.02

(Continued)

Primary Examiner — Susan Moon Lee
(74) Attorney, Agent, or Firm — ScienBiziP, P.C.

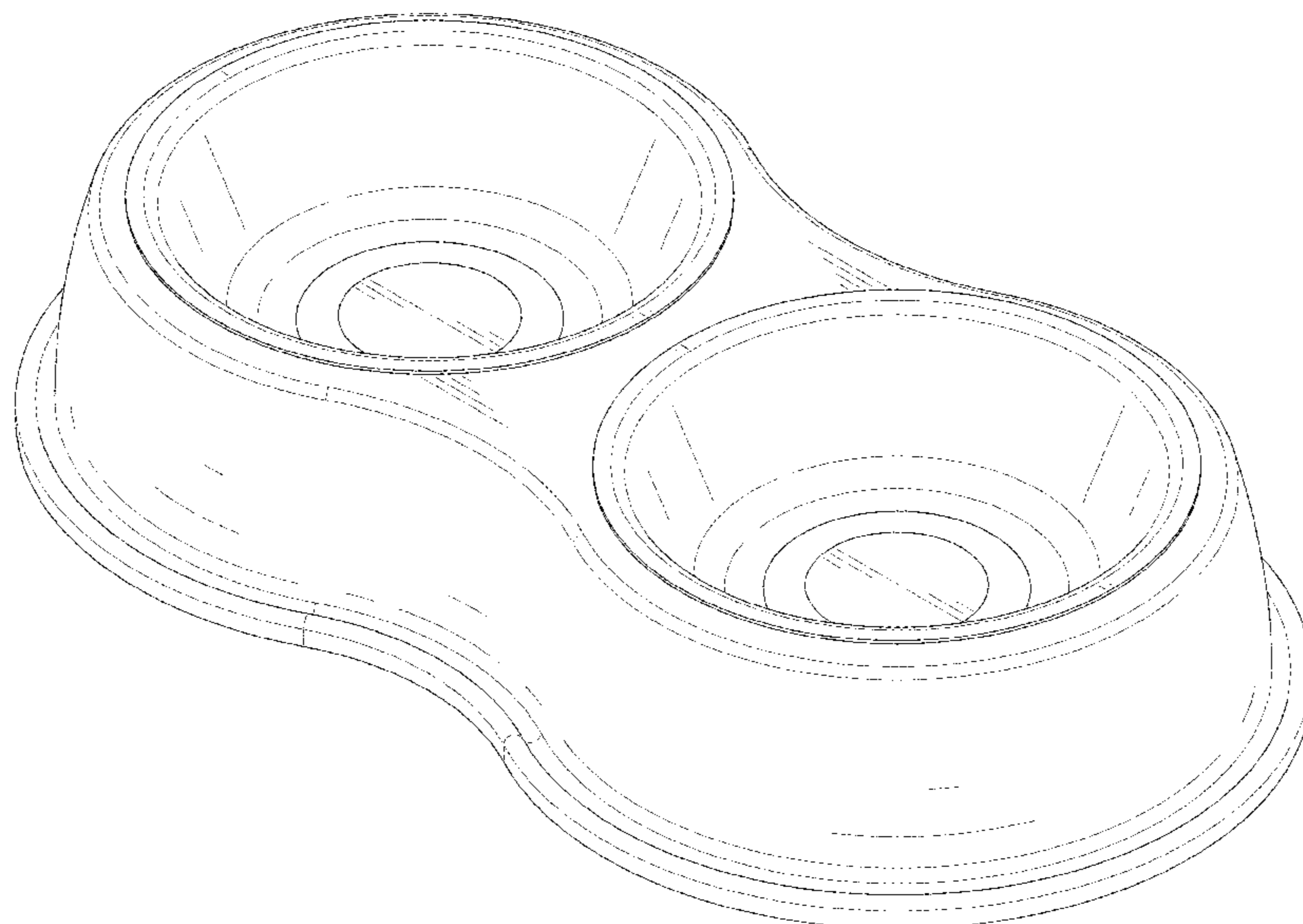
(57) **CLAIM**

The ornamental design for a pet double bowl, as shown and described.

DESCRIPTION

FIG. 1 is a top perspective view of a pet double bowl, showing my design.
FIG. 2 is a bottom perspective view thereof.
FIG. 3 is a front elevation view thereof.
FIG. 4 is a rear elevation view thereof.
FIG. 5 is a left side elevation thereof.
FIG. 6 is a right side elevation thereof.
FIG. 7 is a top plan view thereof; and,
FIG. 8 is a bottom plan view thereof.
The broken lines in the drawings depict environmental structure and boundaries and form no part of the claimed design.

1 Claim, 8 Drawing Sheets



(56)

References Cited

U.S. PATENT DOCUMENTS

D618,861 S * 6/2010 Bahnean D30/133
D621,560 S * 8/2010 McMurphy D30/133
D646,442 S * 10/2011 Chance D30/133
D659,297 S * 5/2012 Stygstra D30/130
D667,175 S * 9/2012 McMurphy D30/133
D669,231 S * 10/2012 Chance D30/133
8,807,082 B1 * 8/2014 Alfonso A01K 5/0142
119/61.53
D717,006 S * 11/2014 Alfonso D30/129
10,349,623 B1 * 7/2019 Stygstra A01K 5/00
D869,781 S 12/2019 Han
D873,502 S 1/2020 MacNeil et al.
D875,326 S * 2/2020 Gevaert D30/130
D891,006 S * 7/2020 Ma D30/129
2008/0105205 A1 * 5/2008 Goehring A01K 5/0142
119/51.02
2014/0165919 A1 * 6/2014 O'Connor A01M 29/12
119/51.01

* cited by examiner

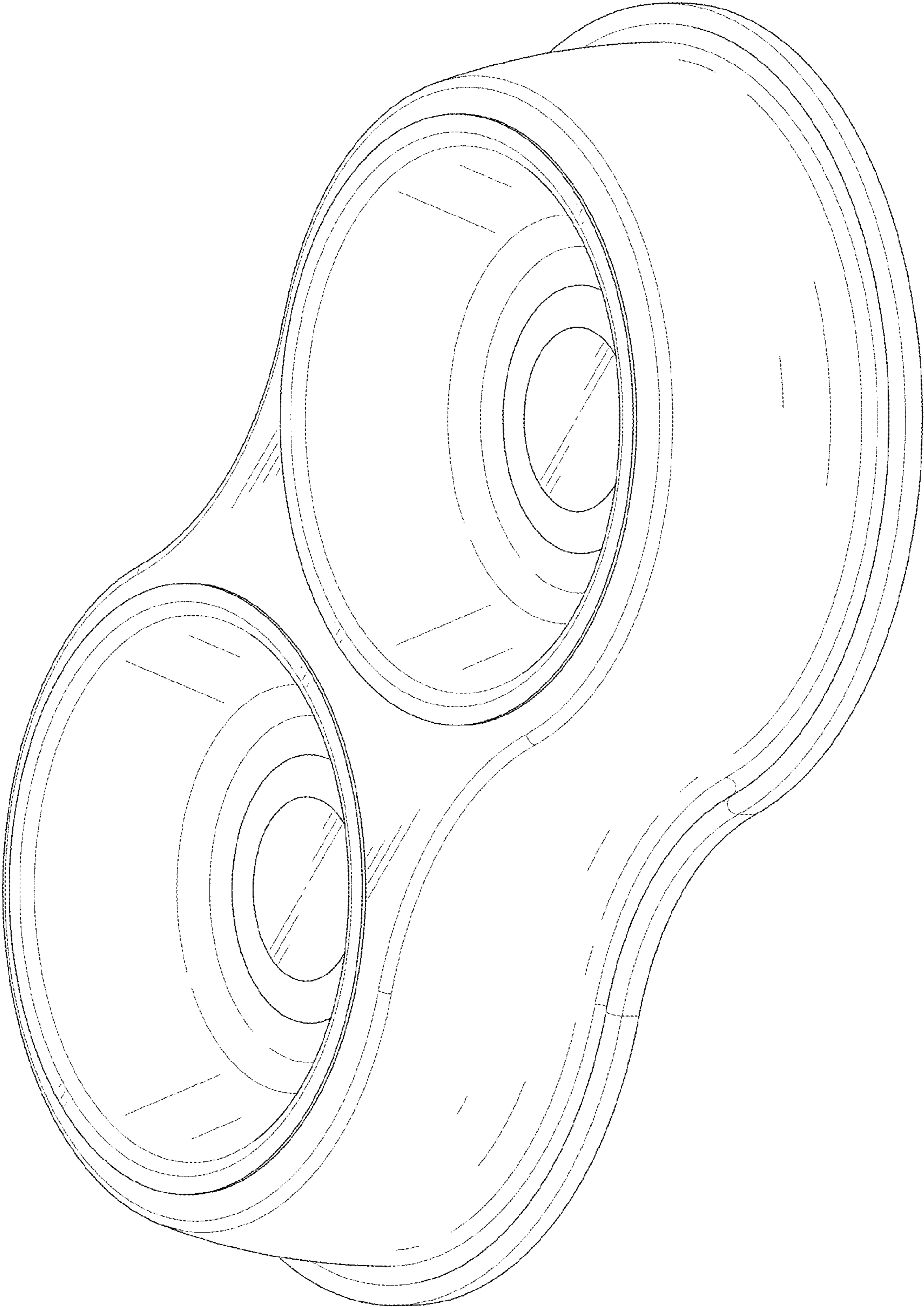


FIG. 1

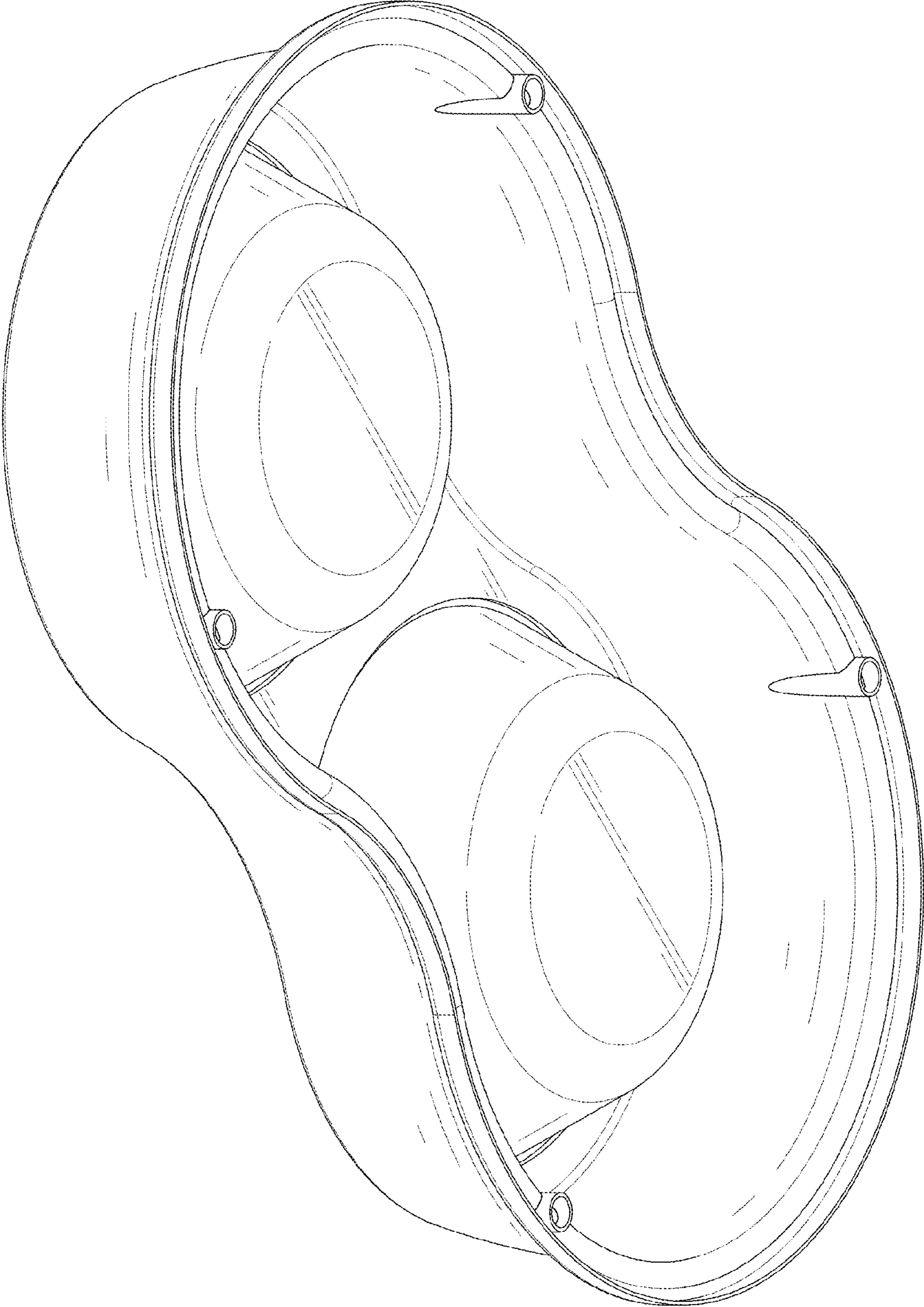


FIG.2

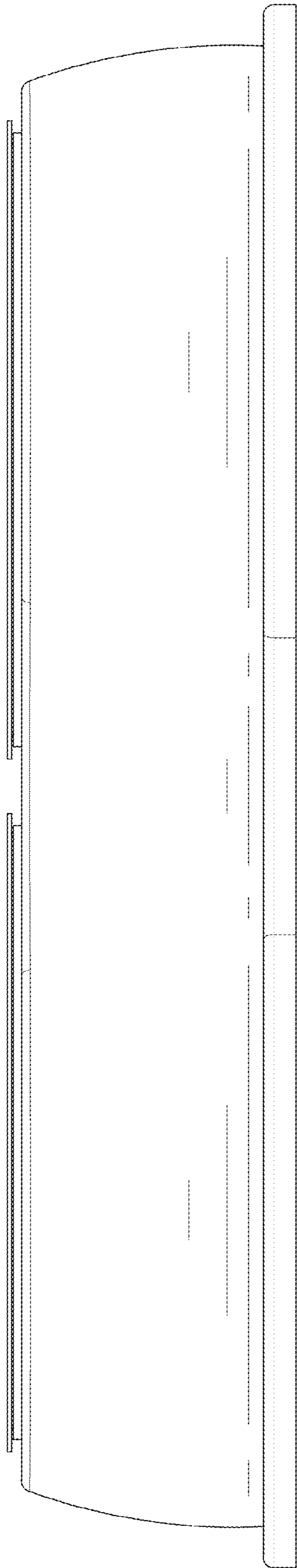


FIG. 3

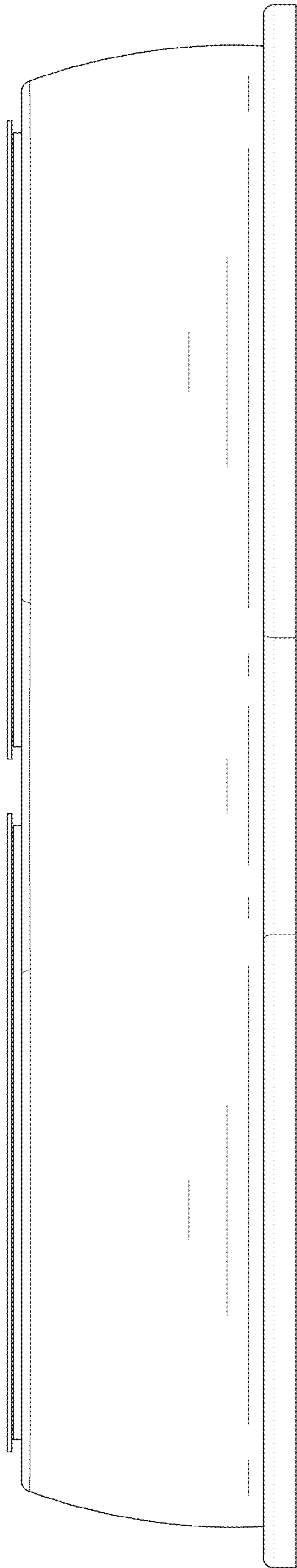


FIG. 4

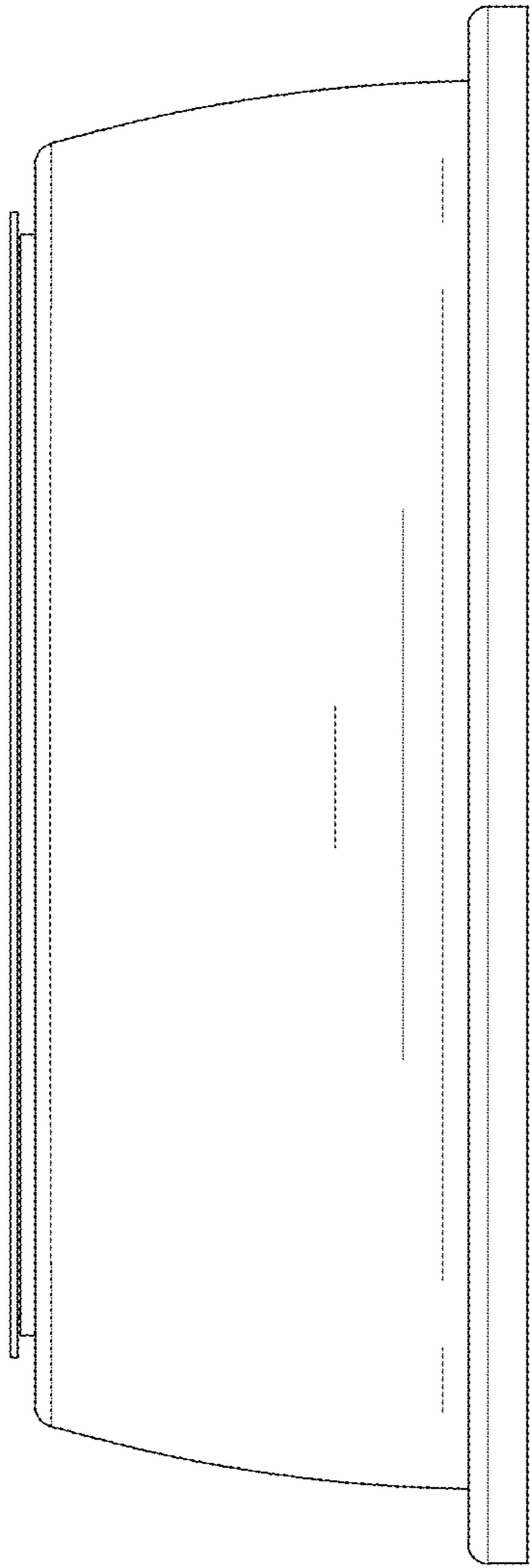


FIG. 5

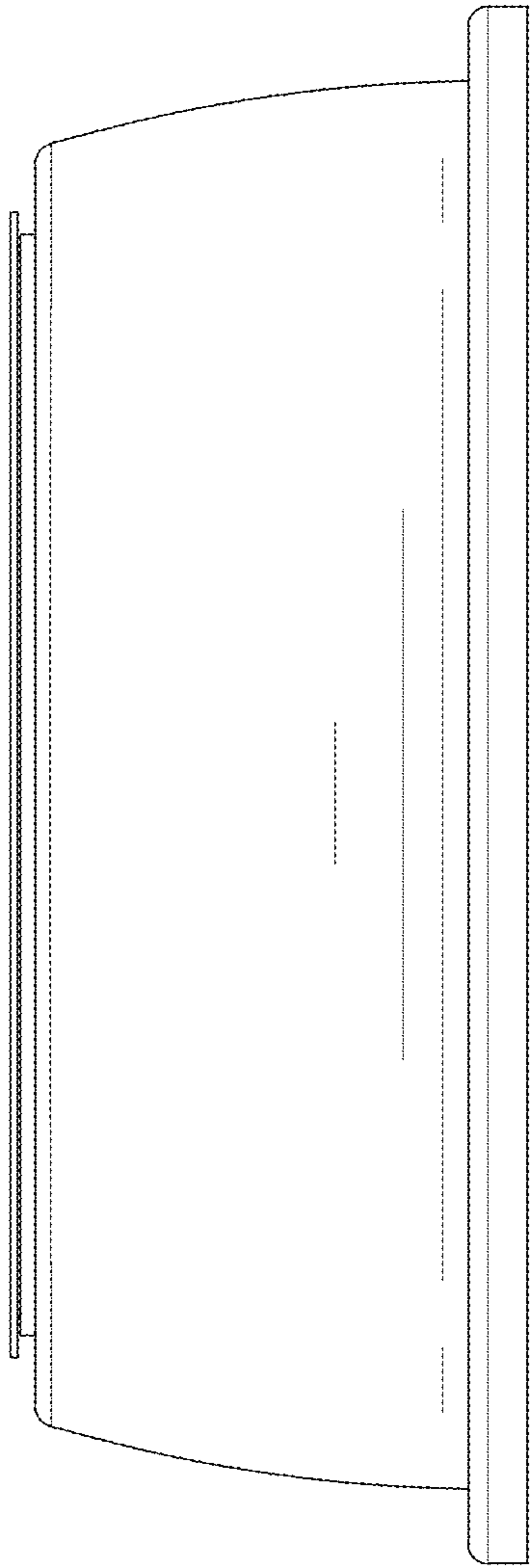


FIG.6

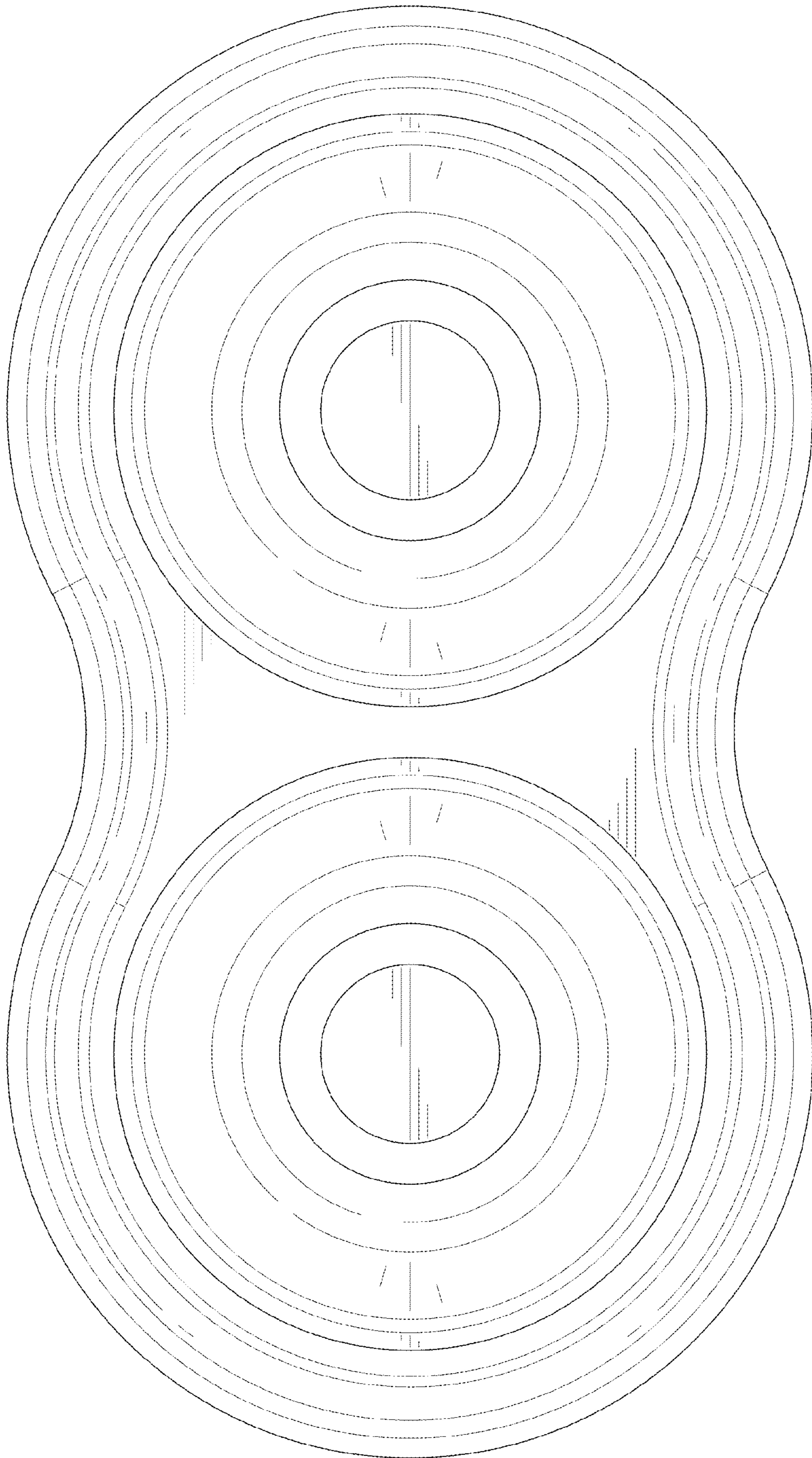


FIG. 7

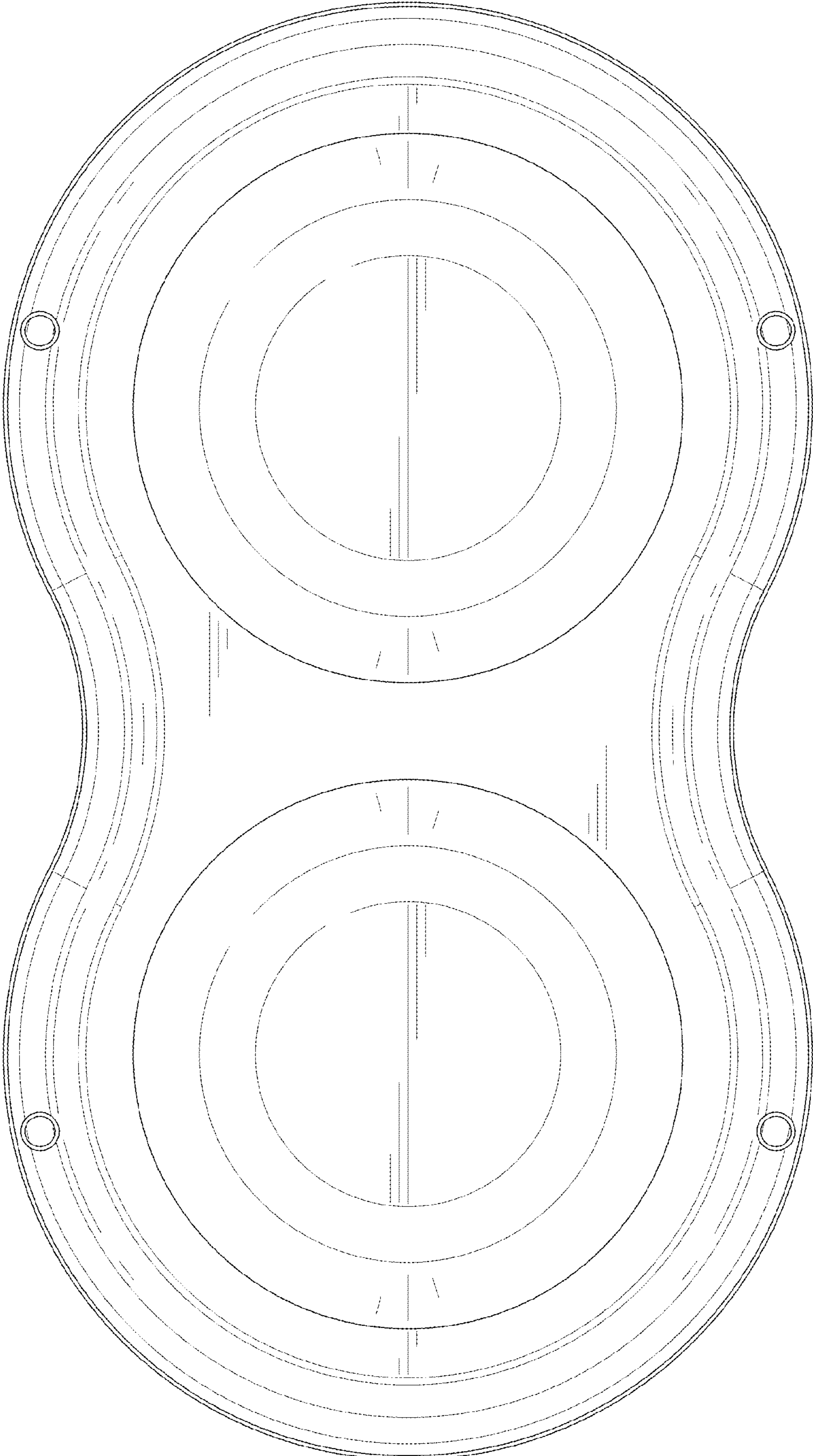


FIG. 8