



US00D915687S

(12) **United States Design Patent**  
**Fan**

(10) **Patent No.:** **US D915,687 S**

(45) **Date of Patent:** **\*\* Apr. 6, 2021**

(54) **PET DOUBLE BOWL**

(71) Applicant: **Funa Fan**, Guangdong (CN)

(72) Inventor: **Funa Fan**, Guangdong (CN)

(\*\*) Term: **15 Years**

(21) Appl. No.: **29/750,187**

(22) Filed: **Sep. 11, 2020**

(51) **LOC (13) Cl.** ..... **30-03**

(52) **U.S. Cl.**

USPC ..... **D30/130**; D30/121; D30/131; D30/133

(58) **Field of Classification Search**

USPC ..... D30/133, 121, 128, 130, 132, 122, 129;  
119/52.1, 55, 61.5-61.56, 51.01, 51.03,  
119/59, 62, 63, 51.5, 57.8, 74, 61;  
D6/480-485; 248/188, 151; 312/204;  
108/153.1-157, 25-26; 220/23.87, 630,  
220/737, 743, 9.4, 495.01, 574, 212, 255,  
220/23.83, 575; 206/515, 557, 560, 562,  
206/563, 565; D7/586, 543, 550.1, 587,  
D7/505, 584, 545, 500, 553.1-553.8, 546,  
D7/555, 556, 504, 565, 562, 602, 507,  
D7/549, 558, 552.2, 560, 566, 548, 681;  
D9/429; 43/109; D22/122; 99/430,  
99/DIG. 15

CPC ..... A01K 5/00; A01K 5/01; A01K 5/0107;  
A01K 5/0114; A01K 5/0121; A01K  
5/0128; A01K 5/0135; A01K 7/005

See application file for complete search history.

(56) **References Cited**

**U.S. PATENT DOCUMENTS**

D209,677 S \* 12/1967 Robert ..... D30/133  
D209,678 S \* 12/1967 Robert ..... D30/133

D217,360 S \* 4/1970 Robert ..... D30/133  
D229,073 S \* 11/1973 Brickel ..... D30/130  
D551,400 S \* 9/2007 Tsengas ..... D30/133  
D646,441 S \* 10/2011 Chance ..... D30/133  
D646,442 S \* 10/2011 Chance ..... D30/133  
D659,297 S \* 5/2012 Stygstra ..... D30/130  
D669,231 S \* 10/2012 Chance ..... D30/133  
D682,485 S \* 5/2013 Wygle ..... D30/133  
10,349,623 B1 \* 7/2019 Stygstra ..... A01K 5/00  
D869,781 S 12/2019 Han  
D873,502 S \* 1/2020 MacNeil ..... D30/130

\* cited by examiner

*Primary Examiner* — Susan Moon Lee

(74) *Attorney, Agent, or Firm* — ScienBiziP, P.C.

(57) **CLAIM**

The ornamental design for a pet double bowl, as shown and described.

**DESCRIPTION**

FIG. 1 is a top perspective view of a pet double bowl, showing my design.

FIG. 2 is a bottom perspective view thereof.

FIG. 3 is a front elevation view of the pet double bowl of FIG. 1, a rear elevation view of the pet double bowl of FIG. 1 being symmetrical to the front elevation view of the pet double bowl of FIG. 1.

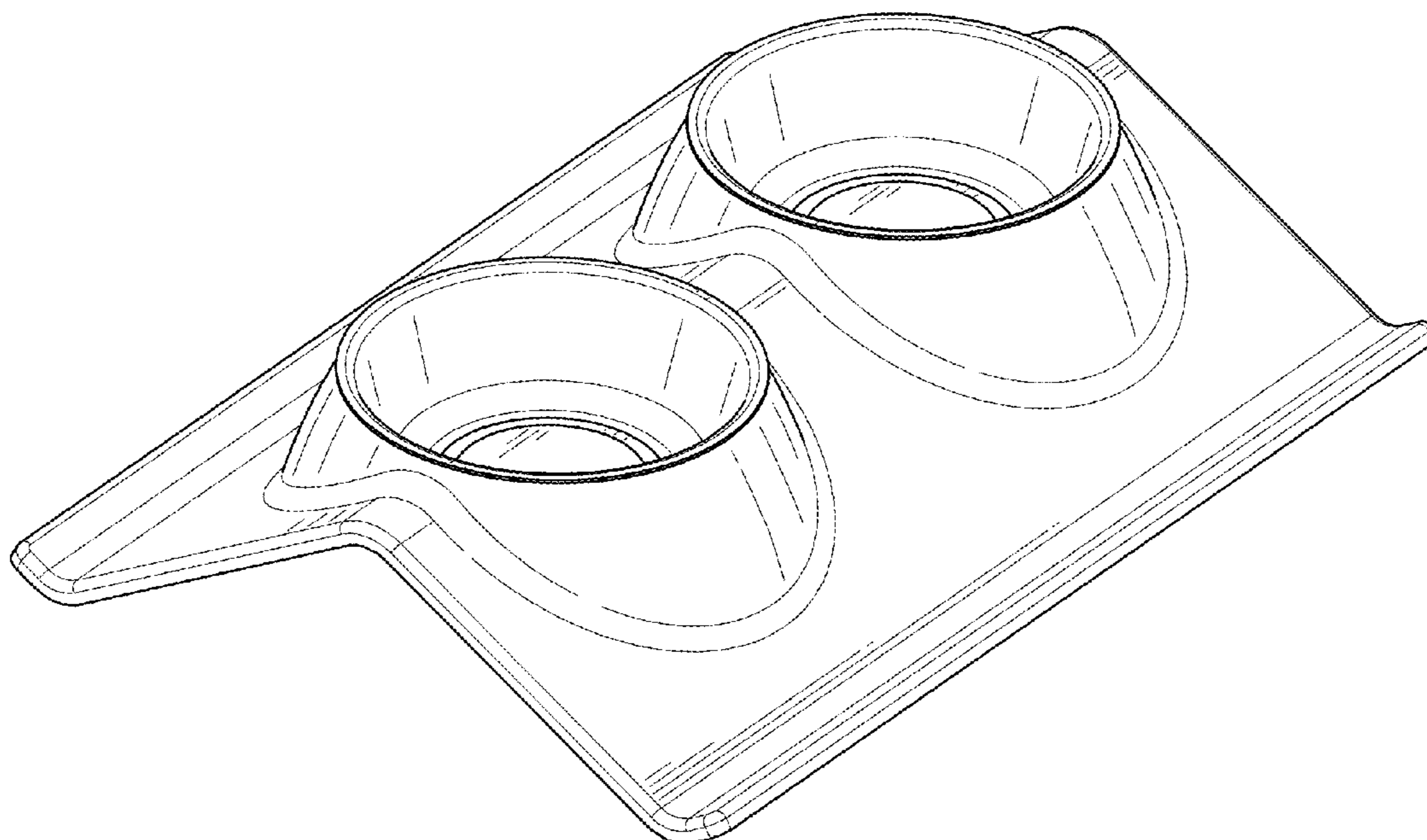
FIG. 4 is a left side elevation view of the pet double bowl of FIG. 1, a right side elevation view of the pet double bowl of FIG. 1 being symmetrical to the left side elevation view of the pet double bowl of FIG. 1.

FIG. 5 is a top plan view thereof; and,

FIG. 6 is a bottom plan view thereof.

The broken lines in the drawings depict environmental structure and boundaries and form no part of the claimed design.

**1 Claim, 6 Drawing Sheets**



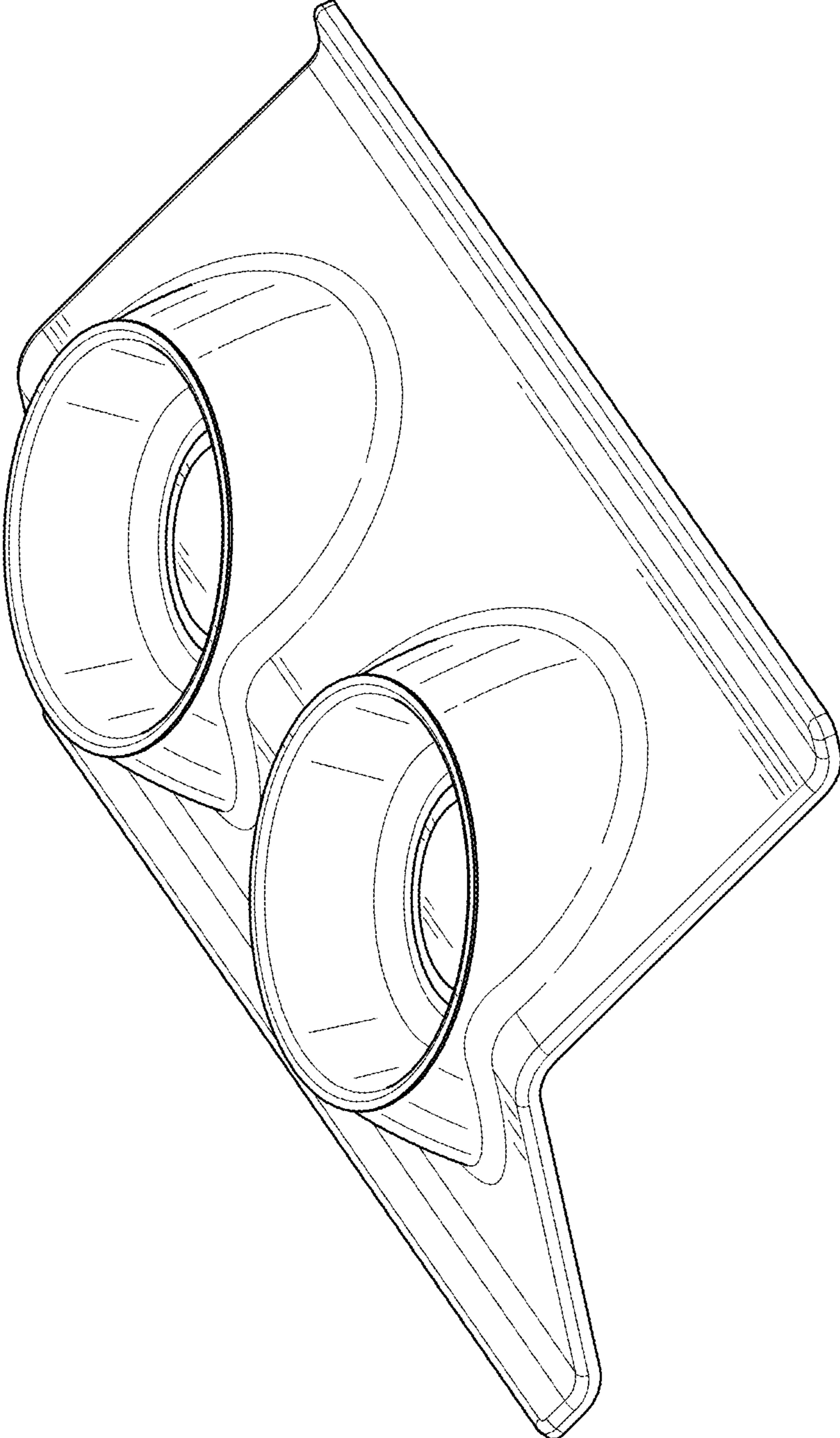


FIG.1

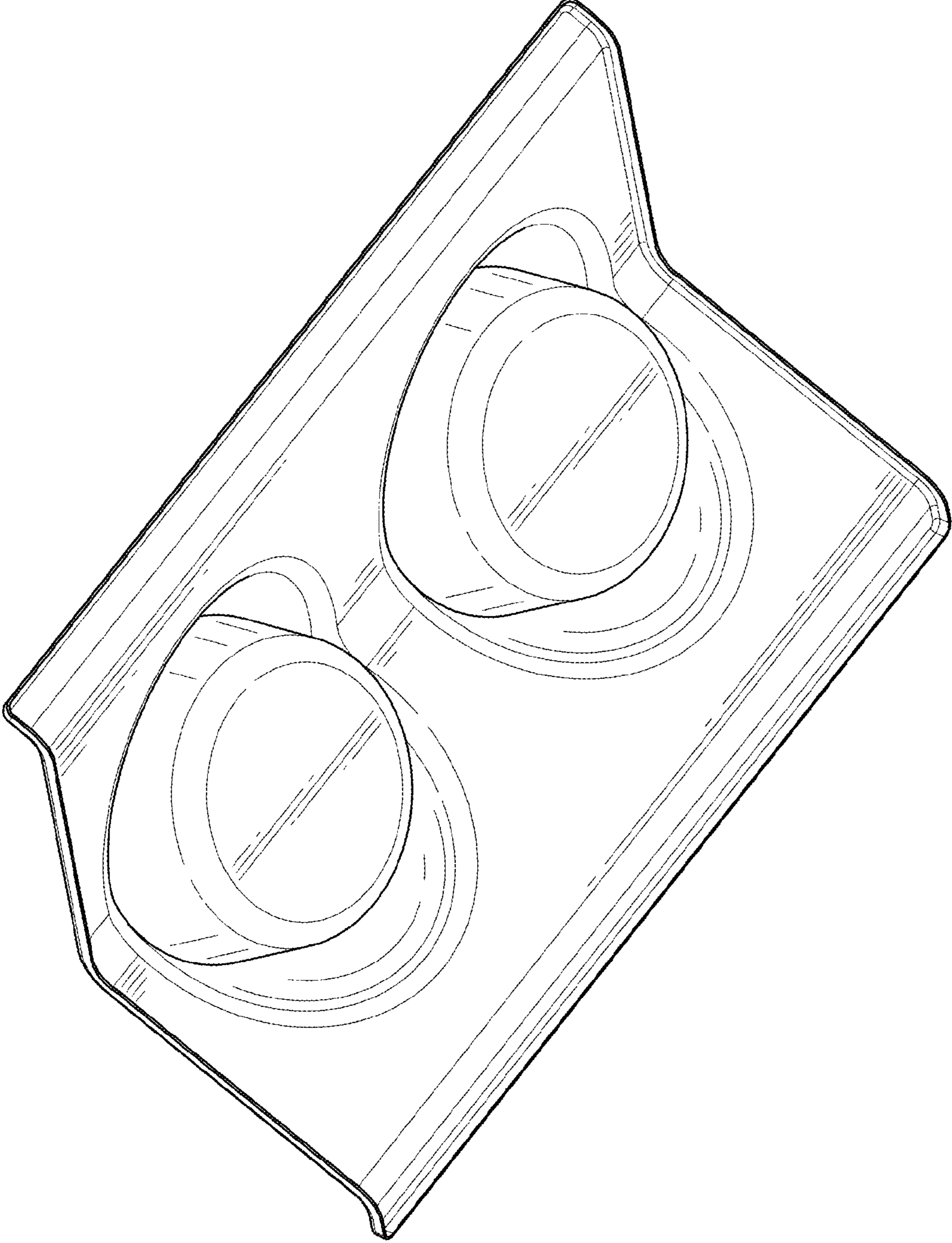


FIG.2

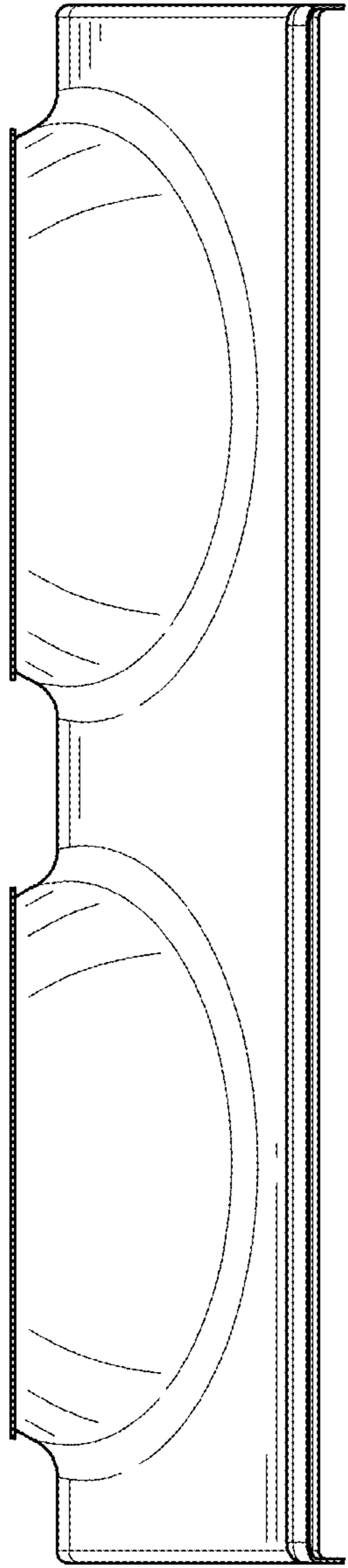


FIG. 3



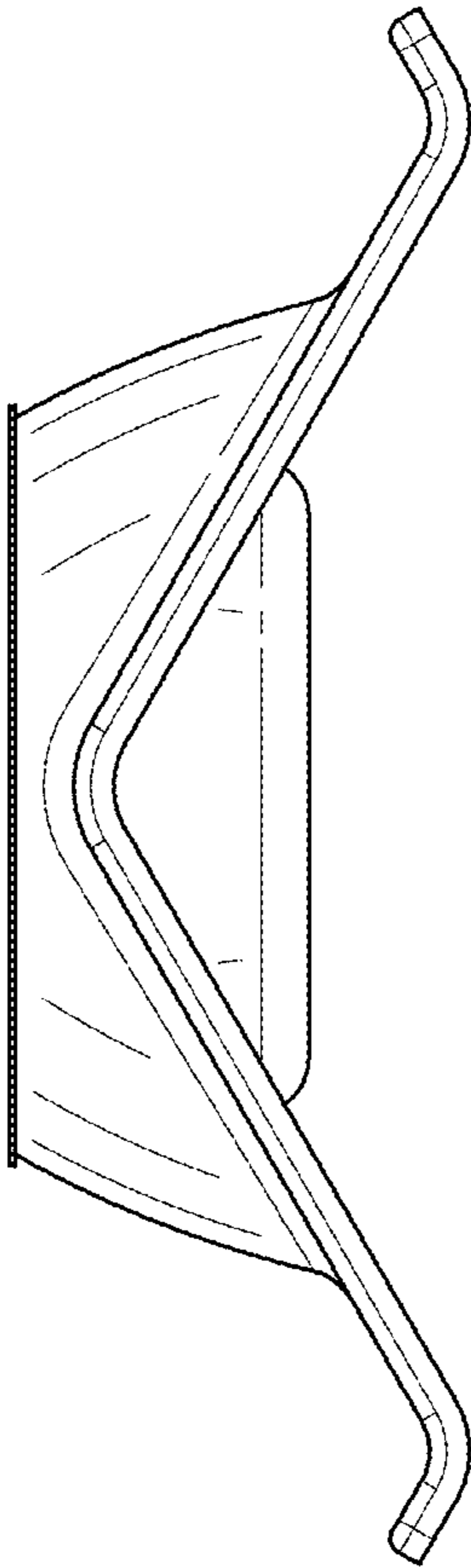


FIG. 4

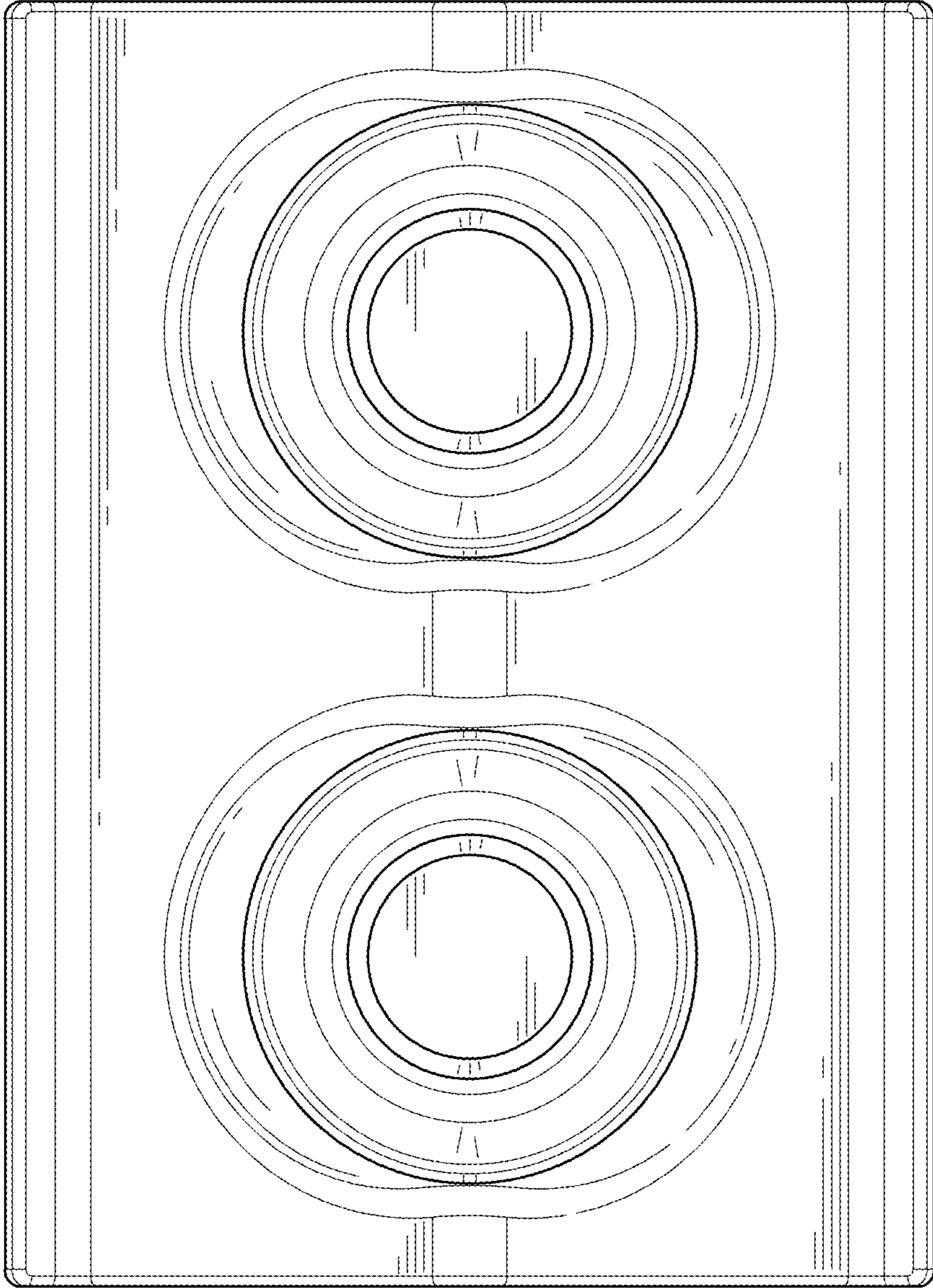


FIG.5

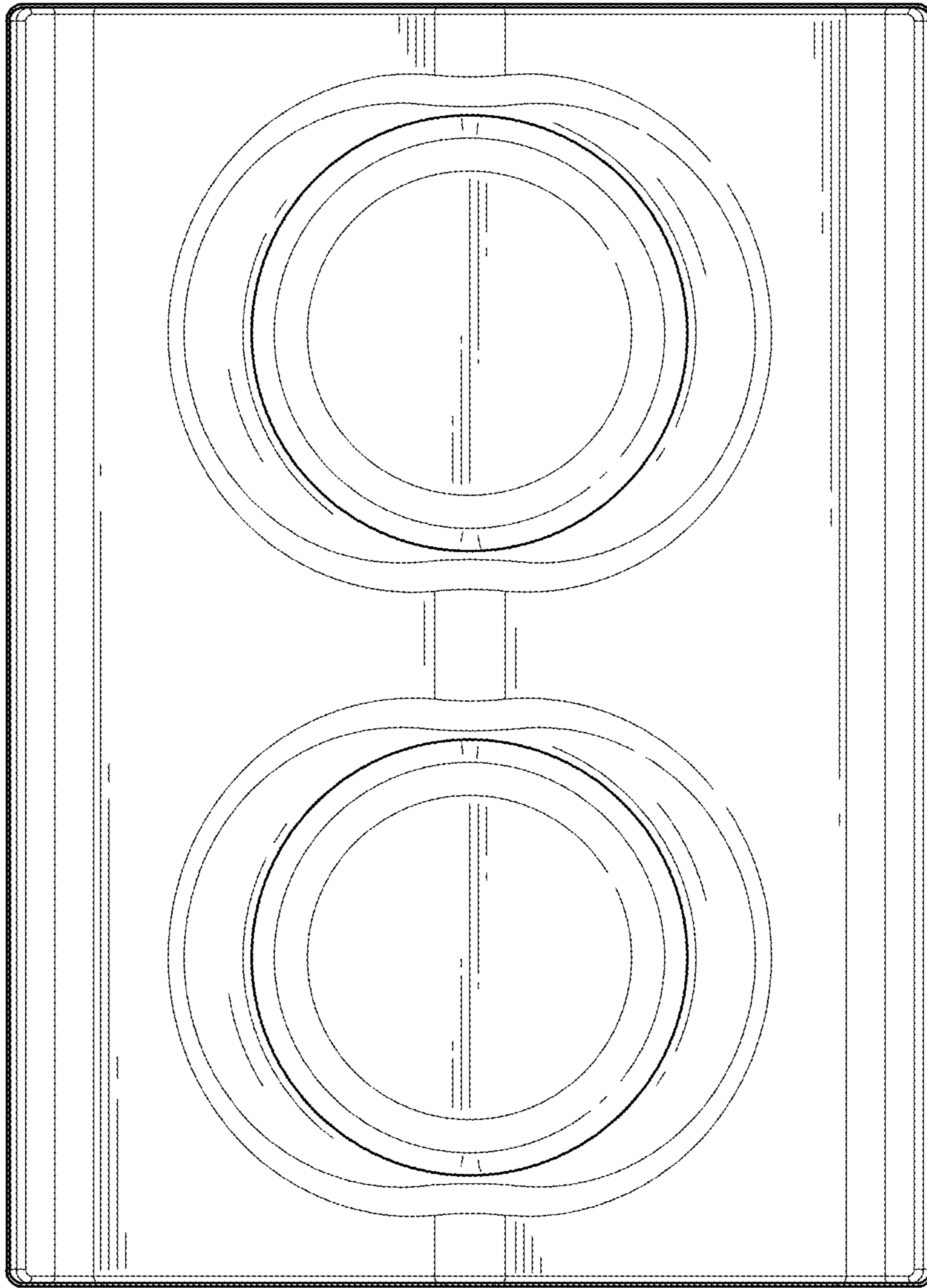


FIG.6