



US00D915685S

(12) **United States Design Patent** (10) **Patent No.:** **US D915,685 S**
Mastic (45) **Date of Patent:** **** Apr. 6, 2021**

(54) **ELEVATED DOG BOWL HAVING AN OPEN FRONT**

(71) Applicant: **Debra Mastic**, Longmont, CO (US)

(72) Inventor: **Debra Mastic**, Longmont, CO (US)

(**) Term: **15 Years**

(21) Appl. No.: **29/740,454**

(22) Filed: **Jul. 3, 2020**

D825,115 S *	8/2018	Gevaert	D30/130
D830,647 S	10/2018	Le		
D830,750 S	10/2018	Hiyoshi et al.		
D830,752 S	10/2018	Hiyoshi et al.		
D836,360 S *	12/2018	Novak	D6/375
D846,816 S	4/2019	Tsengas		
D853,742 S *	7/2019	Novak	D6/360
D854,759 S	7/2019	Elliott et al.		
D890,541 S *	7/2020	Bray	D6/375
D892,413 S *	8/2020	Mastic	D30/129
2002/0092476 A1	7/2002	Vlack et al.		
2005/0115508 A1	6/2005	Little		
2007/0089678 A1	4/2007	Greenwood		
2009/0241844 A1	10/2009	Becattini, Jr. et al.		
2015/0114302 A1	4/2015	Haris		

Related U.S. Application Data

(63) Continuation of application No. 29/667,981, filed on Oct. 26, 2018, now Pat. No. Des. 892,413.

(51) **LOC (13) Cl.** **30-03**

(52) **U.S. Cl.**
USPC **D30/129**

(58) **Field of Classification Search**
USPC D10/121, 122, 129-133, 199; D6/375
CPC A01K 5/00
See application file for complete search history.

* cited by examiner

Primary Examiner — Michael A Stout

Assistant Examiner — Katrina N Gonzalez

(74) *Attorney, Agent, or Firm* — Polson Intellectual Property Law, PC; Margaret Polson; Christopher Sylvain

(57) **CLAIM**

The ornamental design for an elevated dog bowl having an open front, as shown and described.

(56) **References Cited**

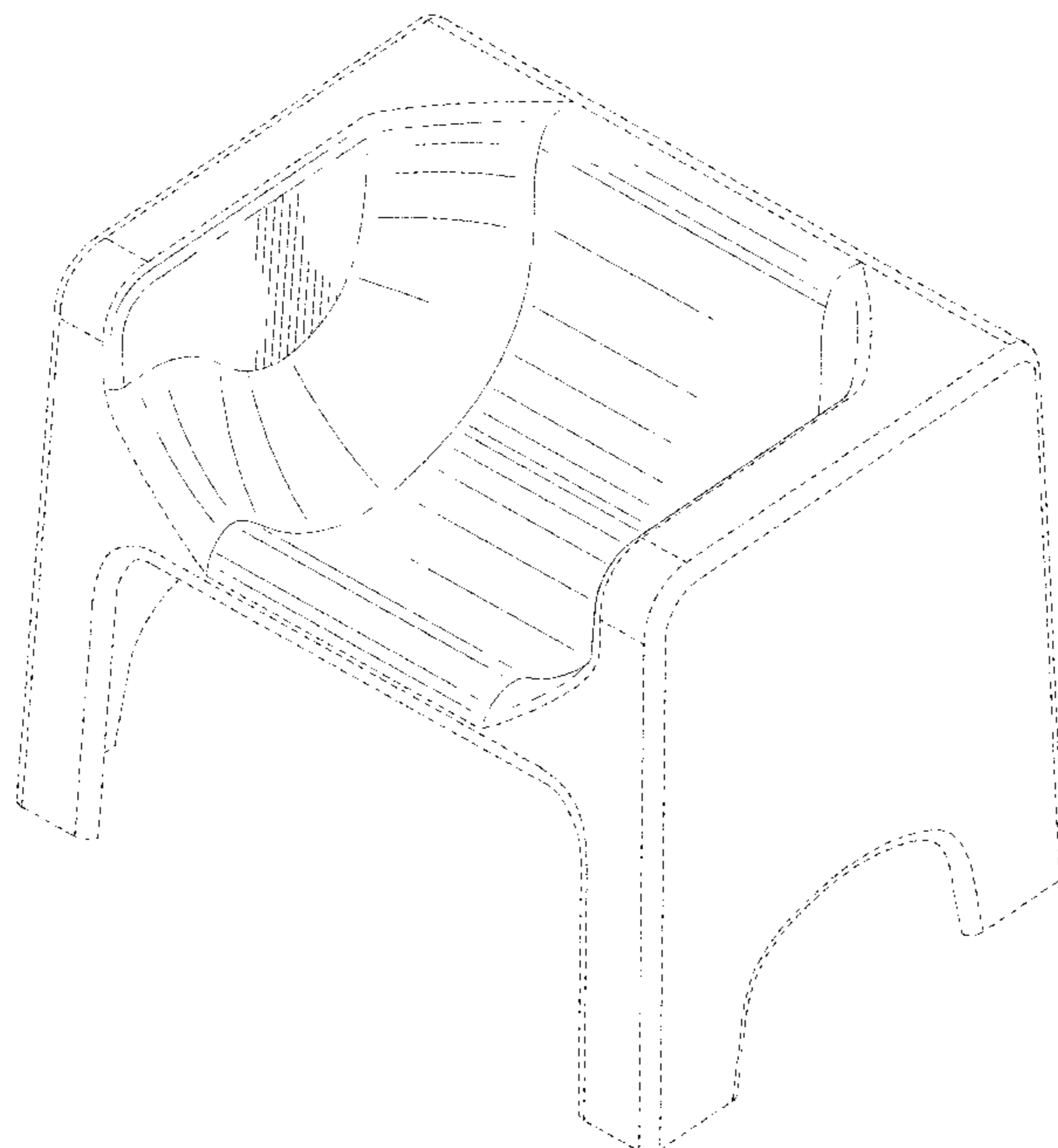
U.S. PATENT DOCUMENTS

3,176,656 A	4/1965	Bates		
D337,862 S *	7/1993	Leopold	D30/121
5,975,016 A	11/1999	Wesenhagen		
6,089,187 A	7/2000	Gaspary		
6,786,177 B1	9/2004	Lemkin		
D744,174 S	11/2015	Jones et al.		
D787,135 S	5/2017	Green		
D798,068 S *	9/2017	Iqbal	D6/334
D798,617 S *	10/2017	Iqbal	D6/334
D805,796 S	12/2017	Bougay		
D811,666 S *	2/2018	Lopez	D30/133
D820,536 S	6/2018	Nishihara		
D820,625 S *	6/2018	Steinmeijer	D6/716

DESCRIPTION

FIG. 1 is a top perspective view of an elevated dog bowl having an open front.
FIG. 2 is a front view thereof.
FIG. 3 is a rear view thereof.
FIG. 4 is a left-side view thereof.
FIG. 5 is a right-side view thereof.
FIG. 6 is a top view thereof; and,
FIG. 7 is a bottom view thereof.
The broken lines illustrate portions of the elevated dog bowl having an open front that form no part of the claimed design.

1 Claim, 7 Drawing Sheets



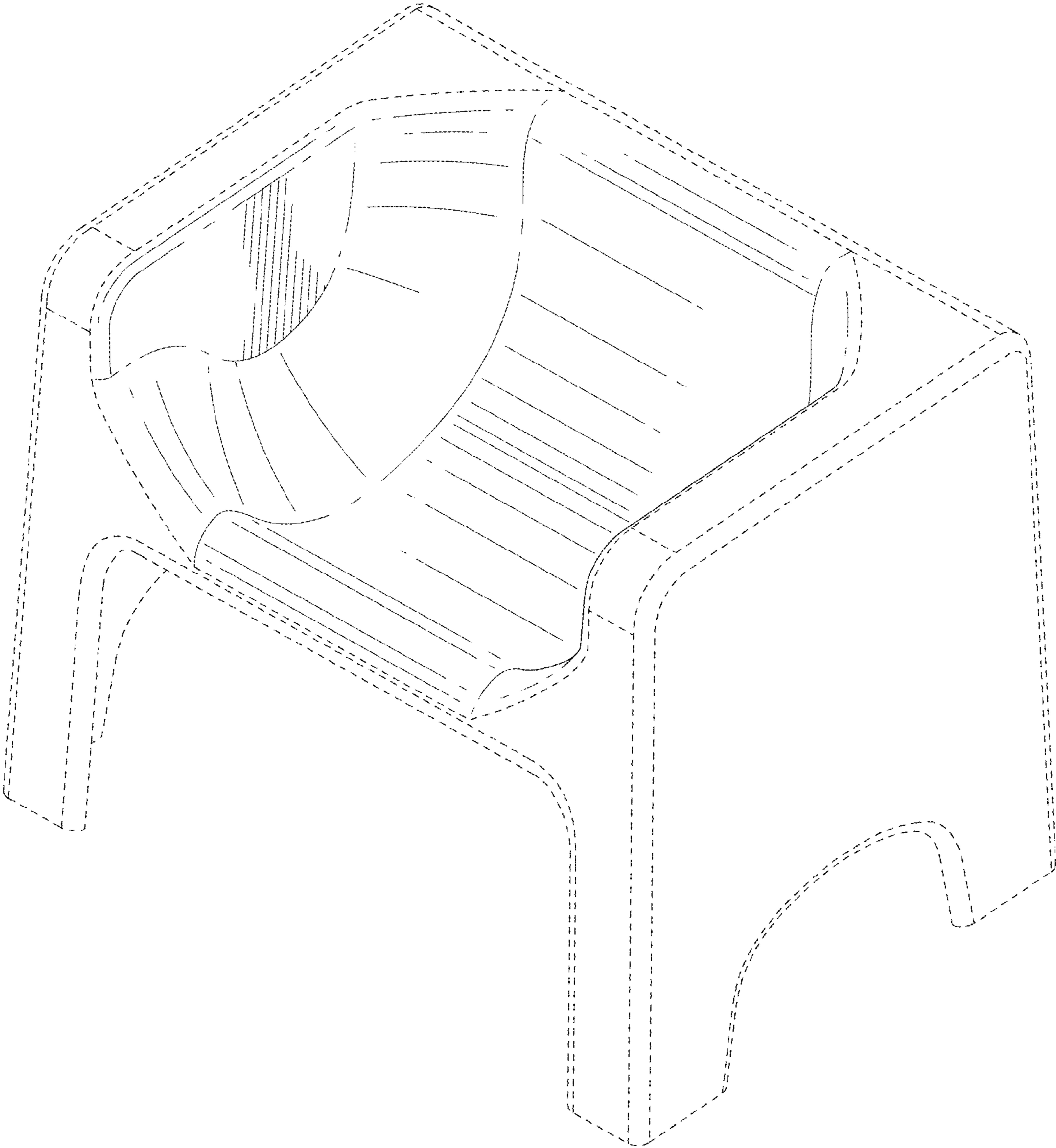


FIG. 1

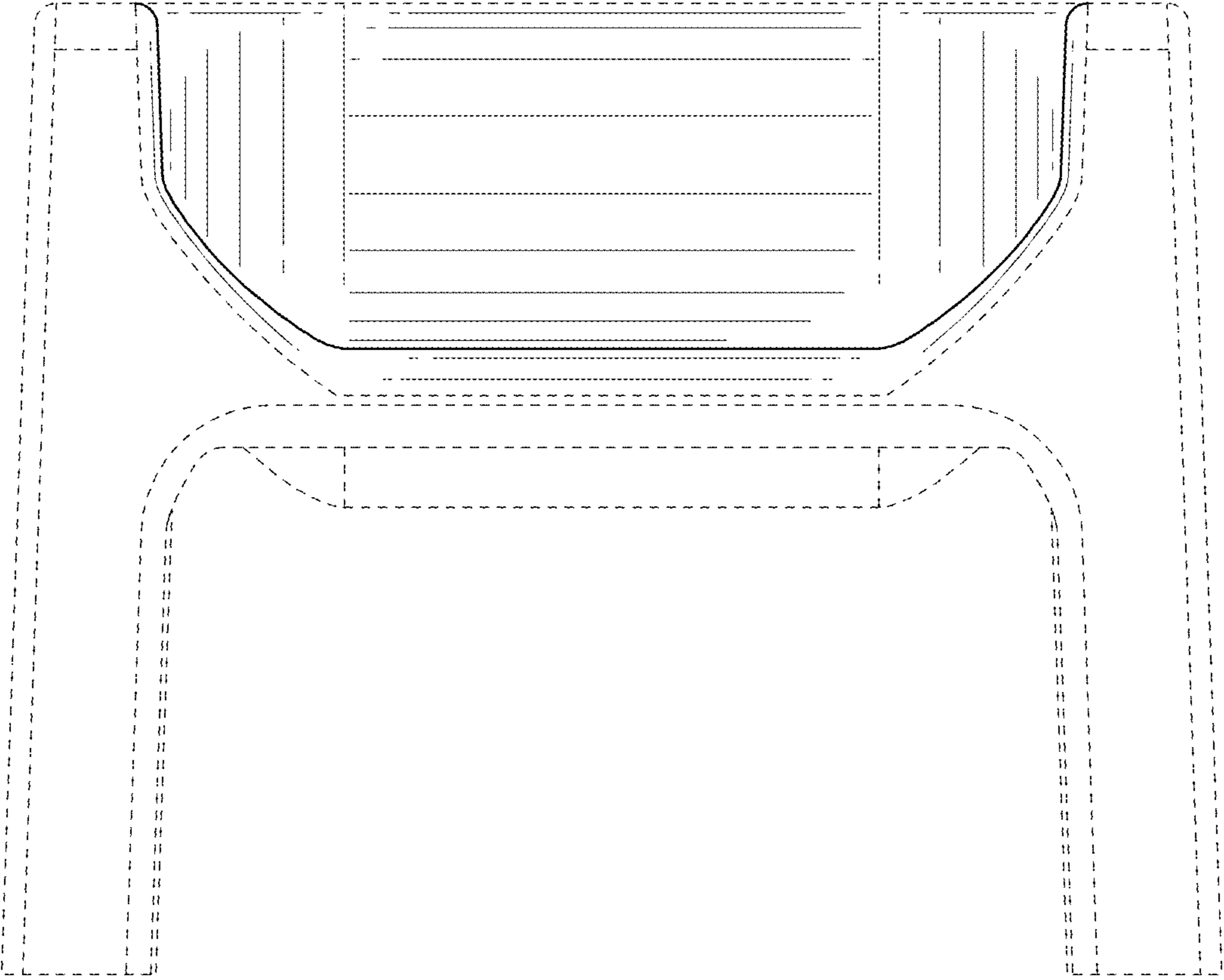


FIG. 2

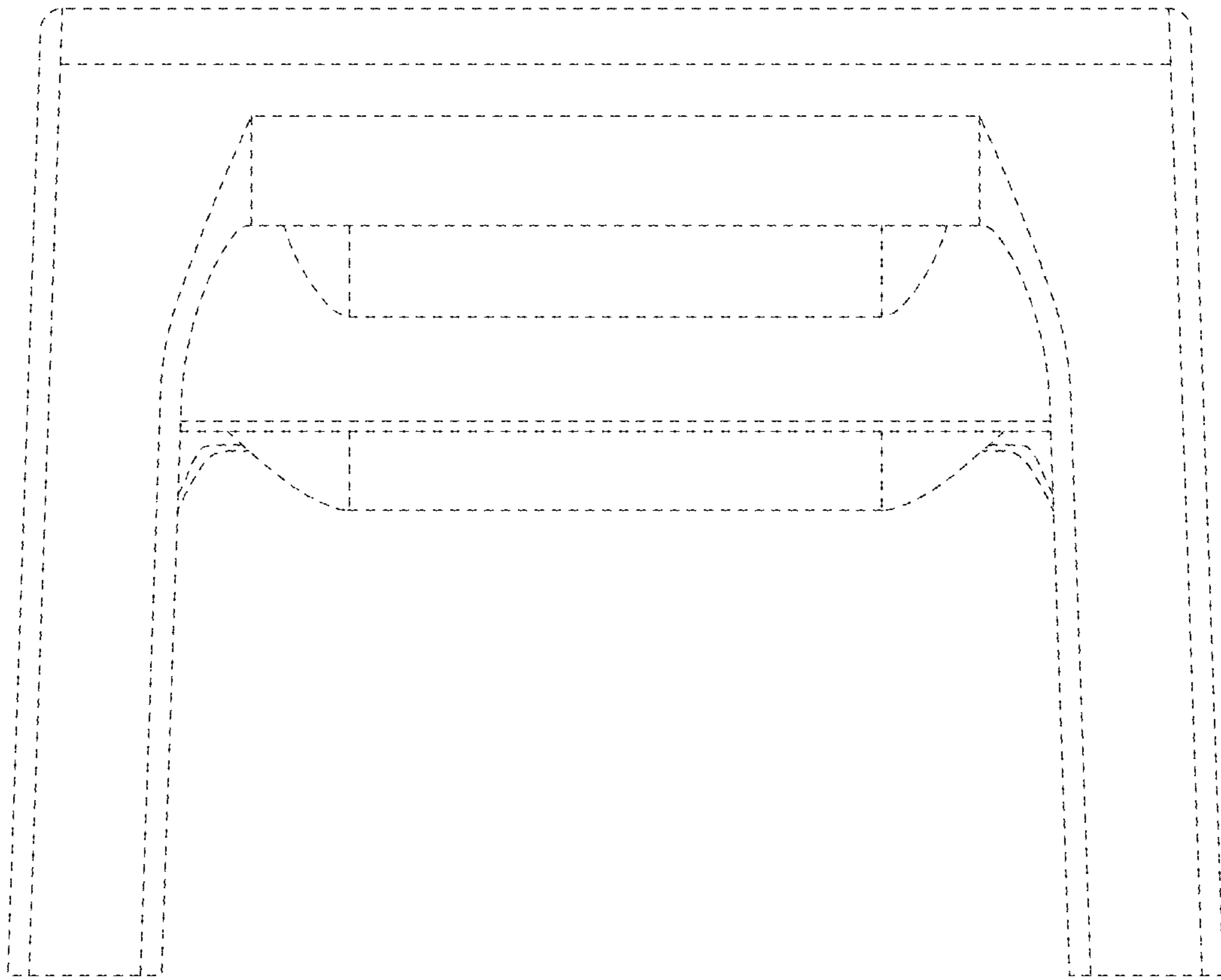


FIG. 3

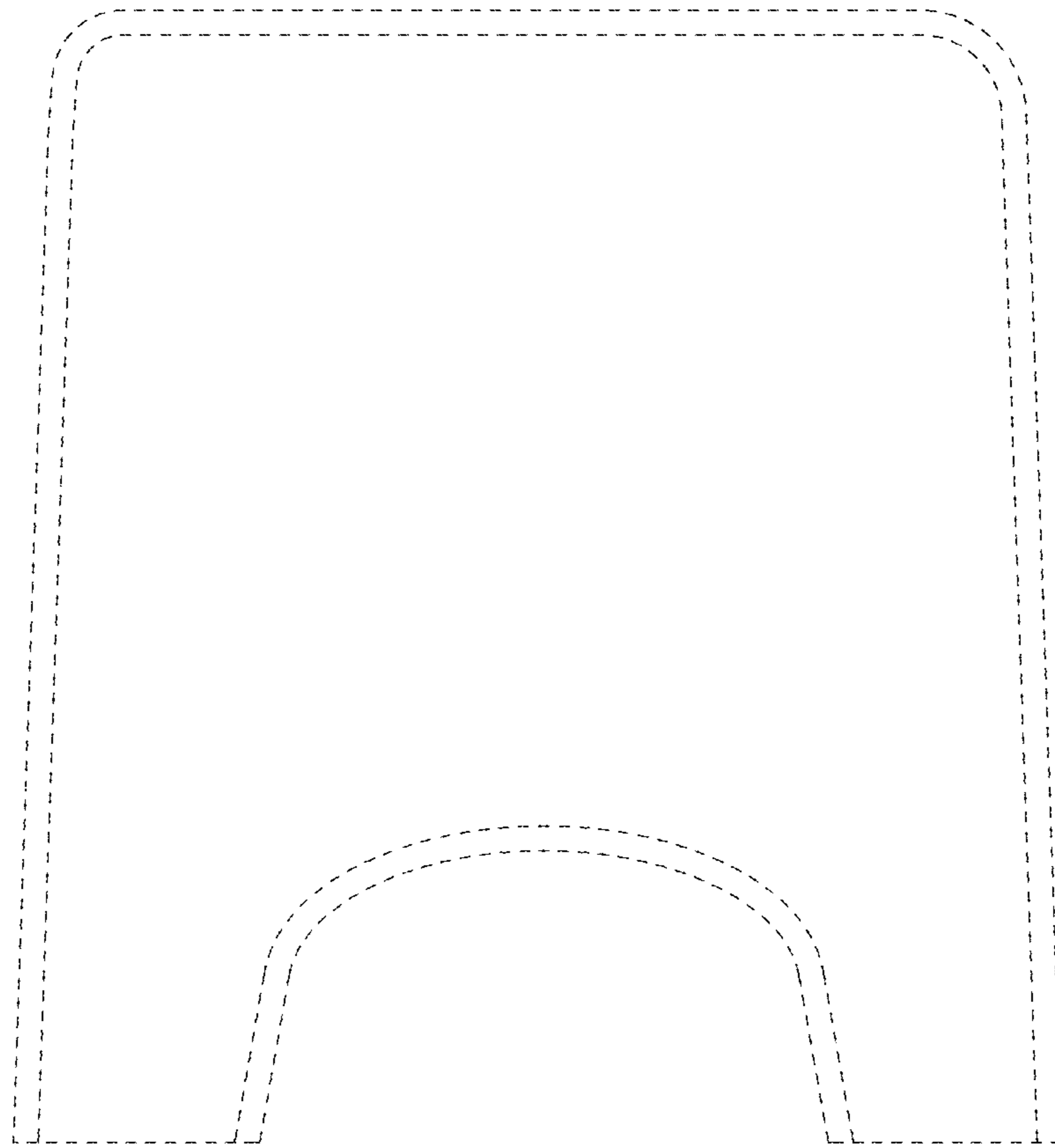


FIG. 4

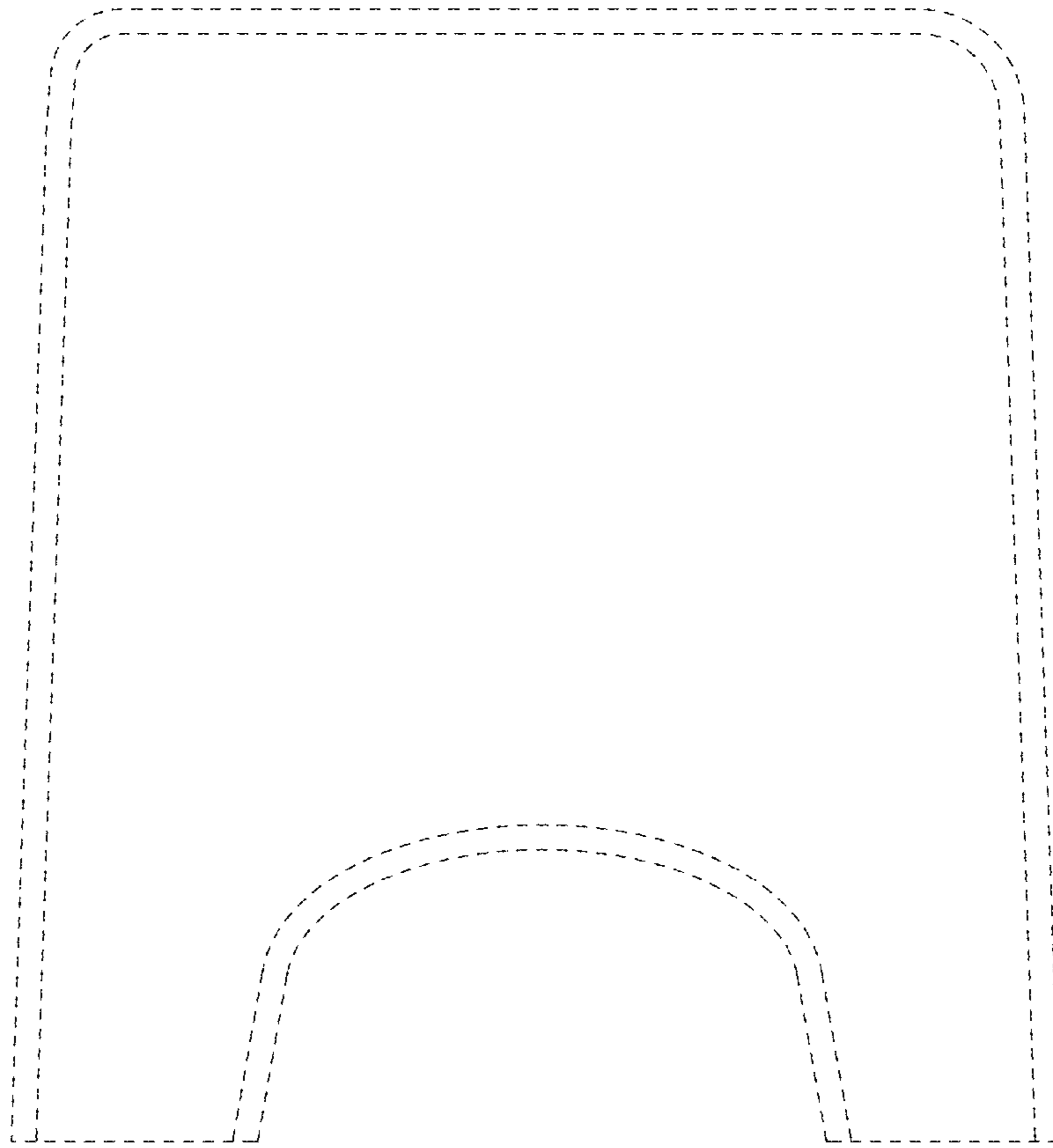


FIG. 5

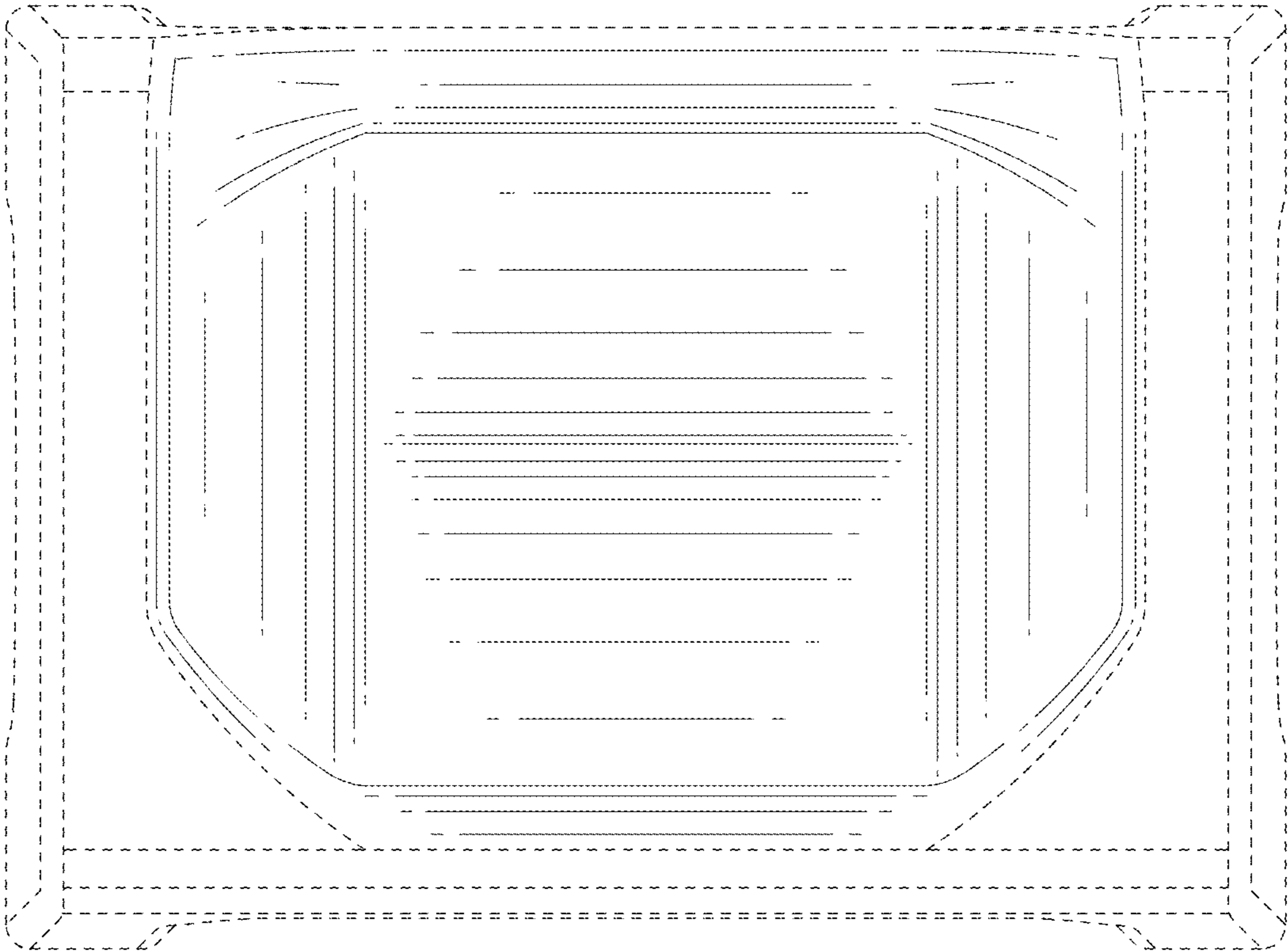


FIG. 6

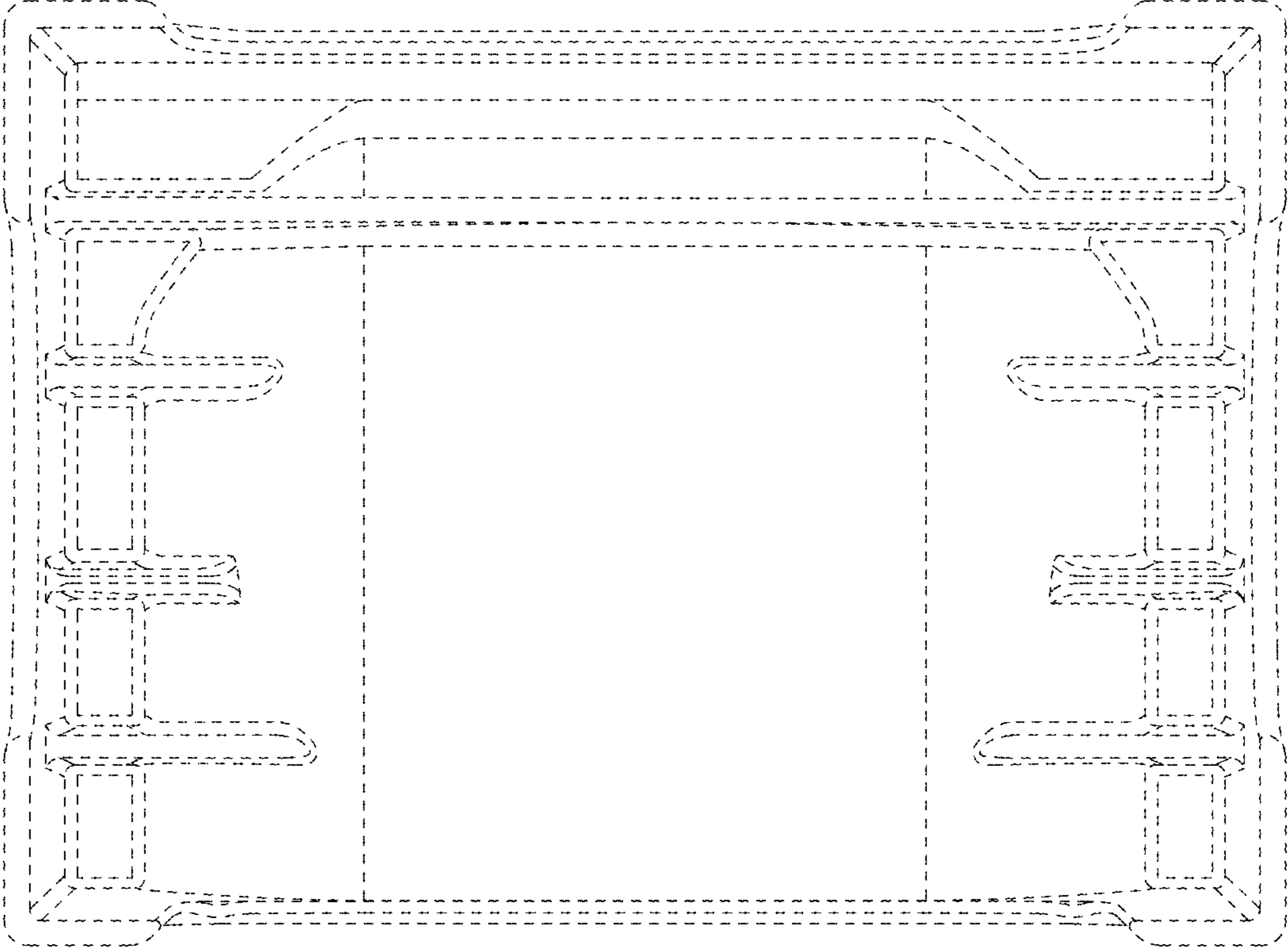


FIG. 7