



US00D915684S

(12) **United States Design Patent**
Cronkhite

(10) **Patent No.:** **US D915,684 S**

(45) **Date of Patent:** **** Apr. 6, 2021**

(54) **PORTABLE KENNEL**

(71) Applicant: **Good Ideas, Inc.**, Erie, PA (US)

(72) Inventor: **Greg Cronkhite**, Draper, SD (US)

(73) Assignee: **Good Ideas, Inc.**, Erie, PA (US)

(**) Term: **15 Years**

(21) Appl. No.: **29/672,000**

(22) Filed: **Nov. 30, 2018**

(51) **LOC (13) Cl.** **30-02**

(52) **U.S. Cl.**
USPC **D30/108**

(58) **Field of Classification Search**
USPC D30/108-109, 114; D3/289, 301;
D34/19-21; 119/453, 482, 496-497
CPC . A01K 1/00; A01K 1/03; A01K 1/033; A01K
1/0245; A01K 29/00; A01K 31/002;
A01K 31/07; A01K 31/08; A01K 31/18
See application file for complete search history.

(56) **References Cited**

U.S. PATENT DOCUMENTS

D308,429 S *	6/1990	VanSkiver	D30/109
D312,333 S *	11/1990	Van Skiver	D30/109
D334,087 S *	3/1993	Goetz	119/496
5,253,612 A *	10/1993	Goetz	A01K 1/0245 119/496
D443,957 S *	6/2001	Chambers	D30/109
6,427,631 B1 *	8/2002	Ross	A01K 1/0245 119/453
D555,292 S *	11/2007	Harper	D30/108
D571,054 S *	6/2008	Donnelly	D30/108
D615,251 S *	5/2010	Scherbing	D30/109
D657,587 S *	4/2012	Coluuci	D6/671.1

D659,294 S *	5/2012	Veness	D30/109
D671,691 S *	11/2012	Neilan	D30/108
D717,005 S *	11/2014	Skaggs	D30/108
D760,447 S *	6/2016	Edmonds	D30/109
D762,332 S *	7/2016	Chance	D30/108
D768,941 S *	10/2016	Edmonds	D30/109
D827,211 S *	8/2018	Cronkhite	D30/119
D827,212 S *	8/2018	Cronkhite	D30/119
D833,085 S *	11/2018	Edmonds	D30/119
2005/0132973 A1 *	6/2005	Axelrod	A01K 1/0245 119/496

* cited by examiner

Primary Examiner — Sandra Snapp

Assistant Examiner — Mehri Bajoul

(74) *Attorney, Agent, or Firm* — Jonathan M. D'Silva;
MMI Intellectual Property

(57) **CLAIM**

The ornamental design for a portable kennel, as shown and described.

DESCRIPTION

FIG. 1 is a perspective view of a portable kennel showing my new design;

FIG. 2 is a top view of the portable kennel;

FIG. 3 is a right side view of the portable kennel;

FIG. 4 is a left side view of the portable kennel;

FIG. 5 is a bottom view of the portable kennel;

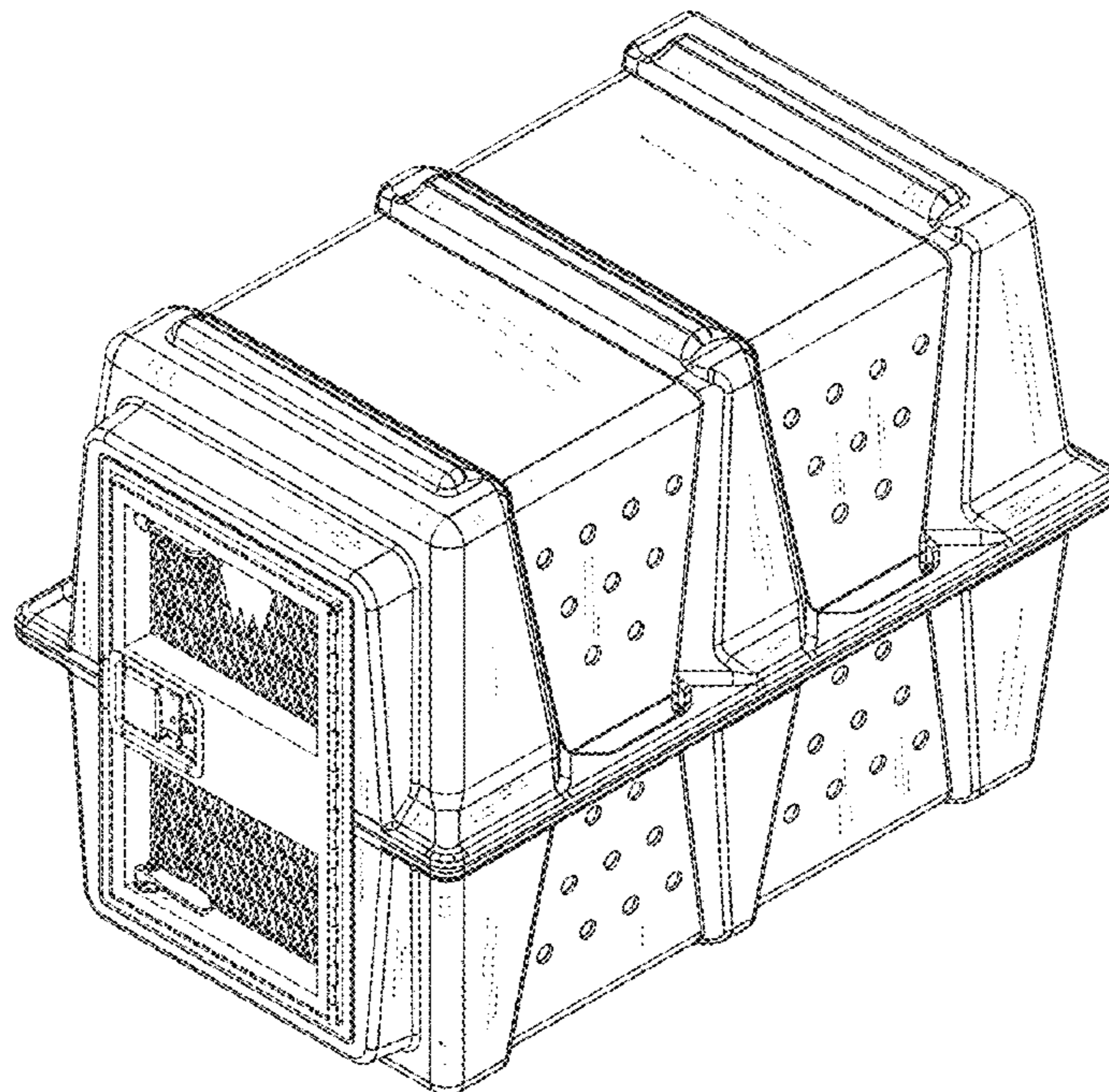
FIG. 6 is a front view of the portable kennel; and,

FIG. 7 is a back view of the portable kennel.

The broken lines shown in FIGS. 1 and 6 represents a kennel door that may be installed on the portable kennel that forms no part of the claimed design.

The broken lines shown in the drawings depict portions of the portable kennel that form no part of the claimed design.

1 Claim, 4 Drawing Sheets



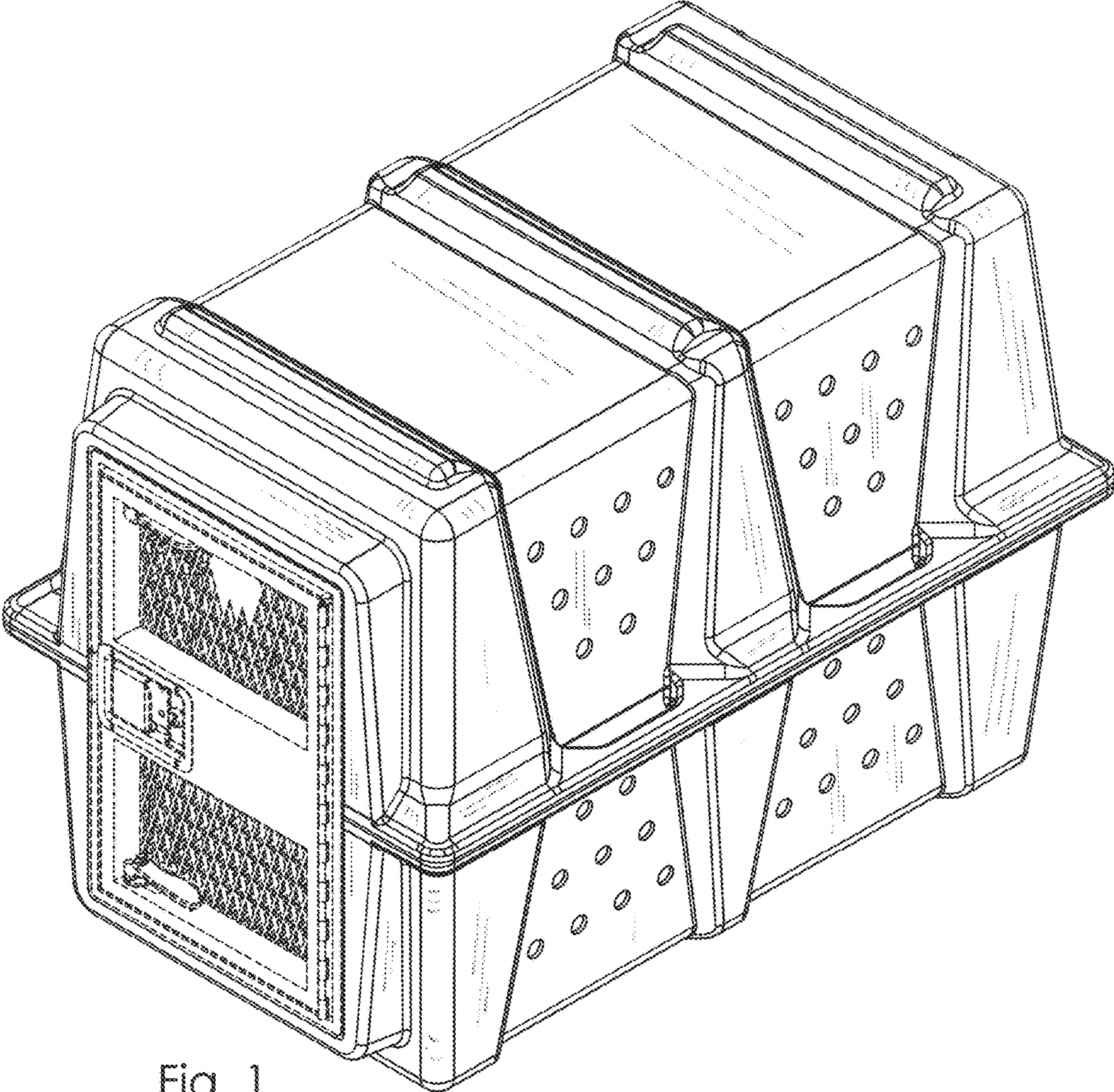


Fig. 1

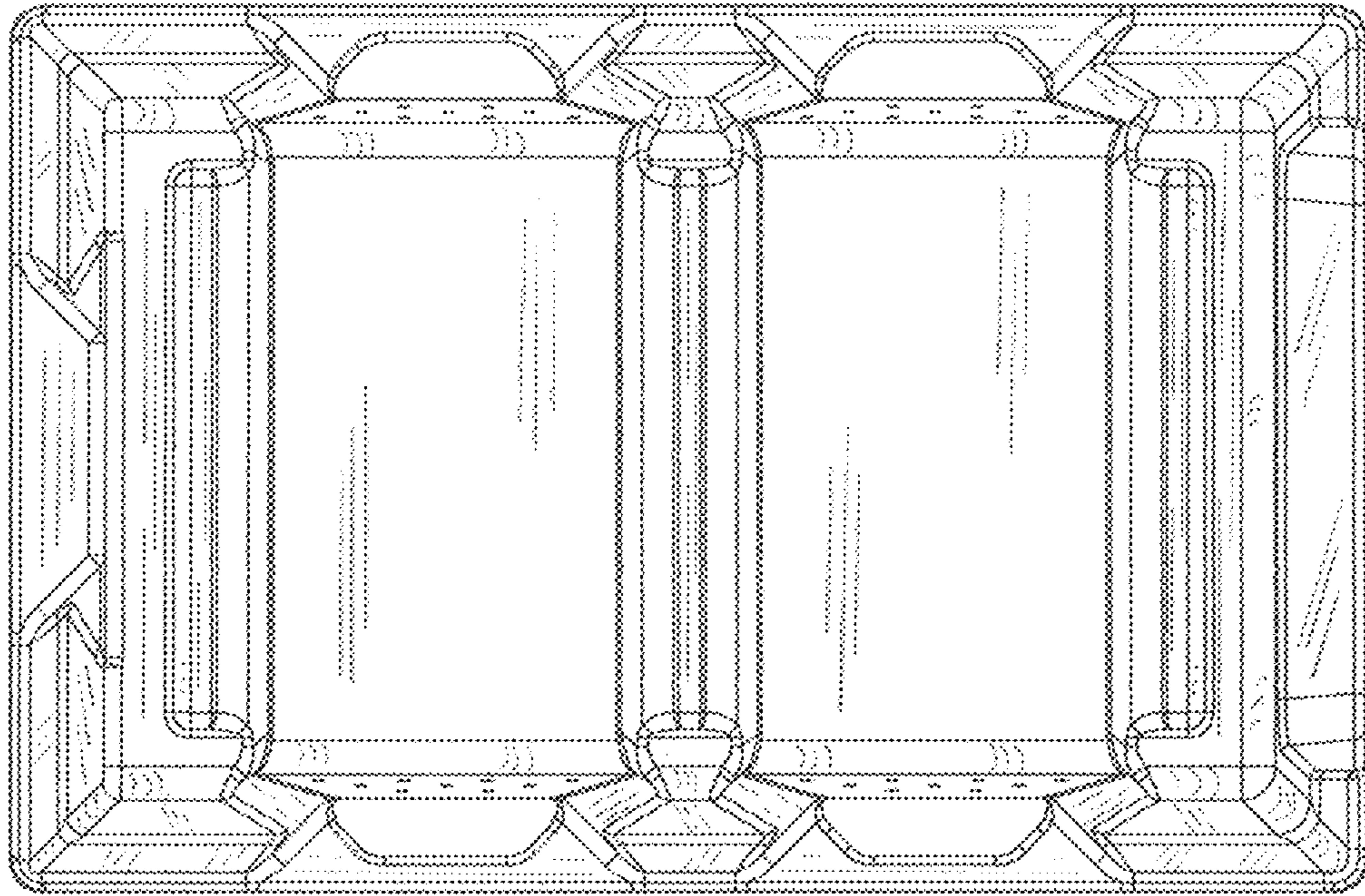


Fig. 2

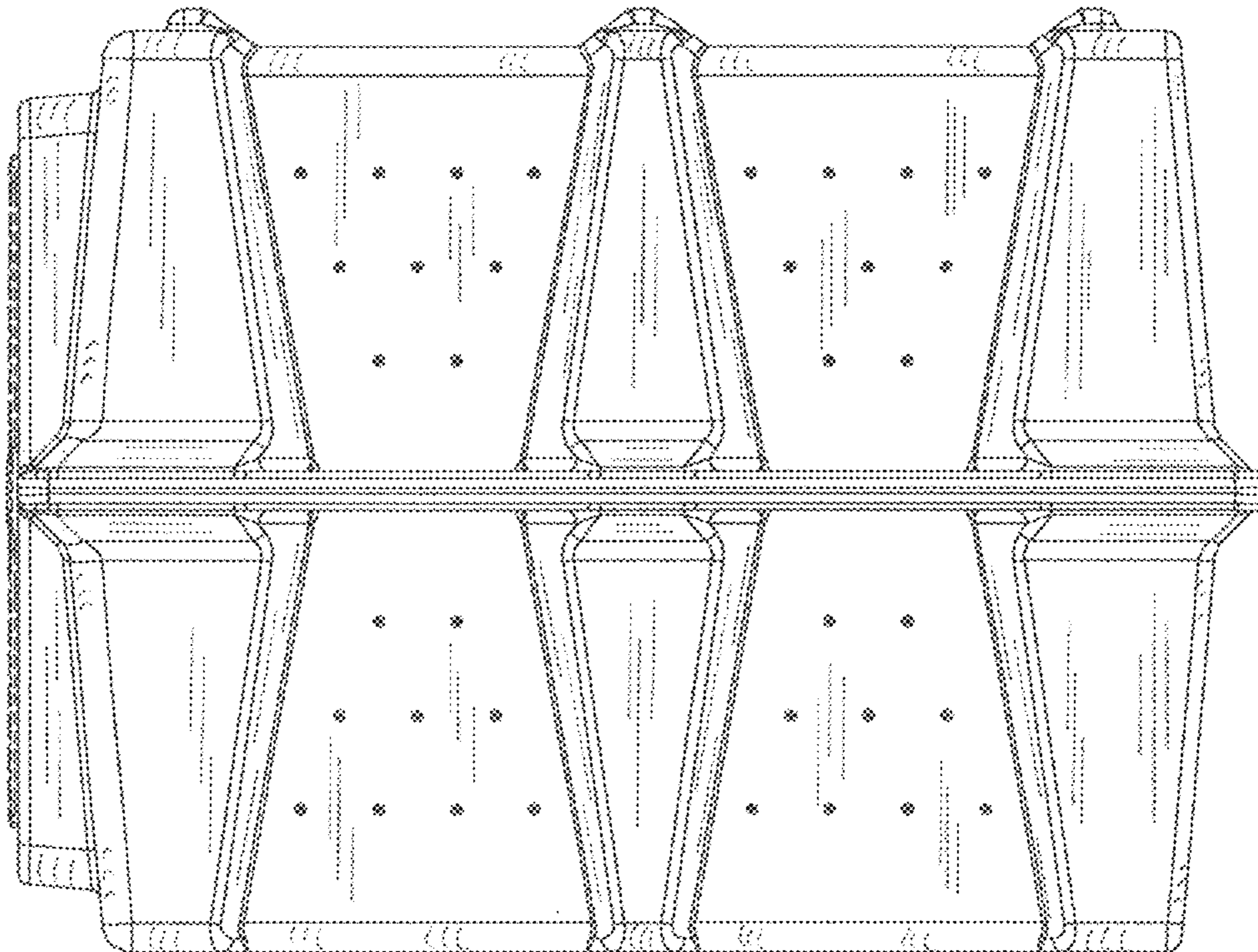


Fig. 3

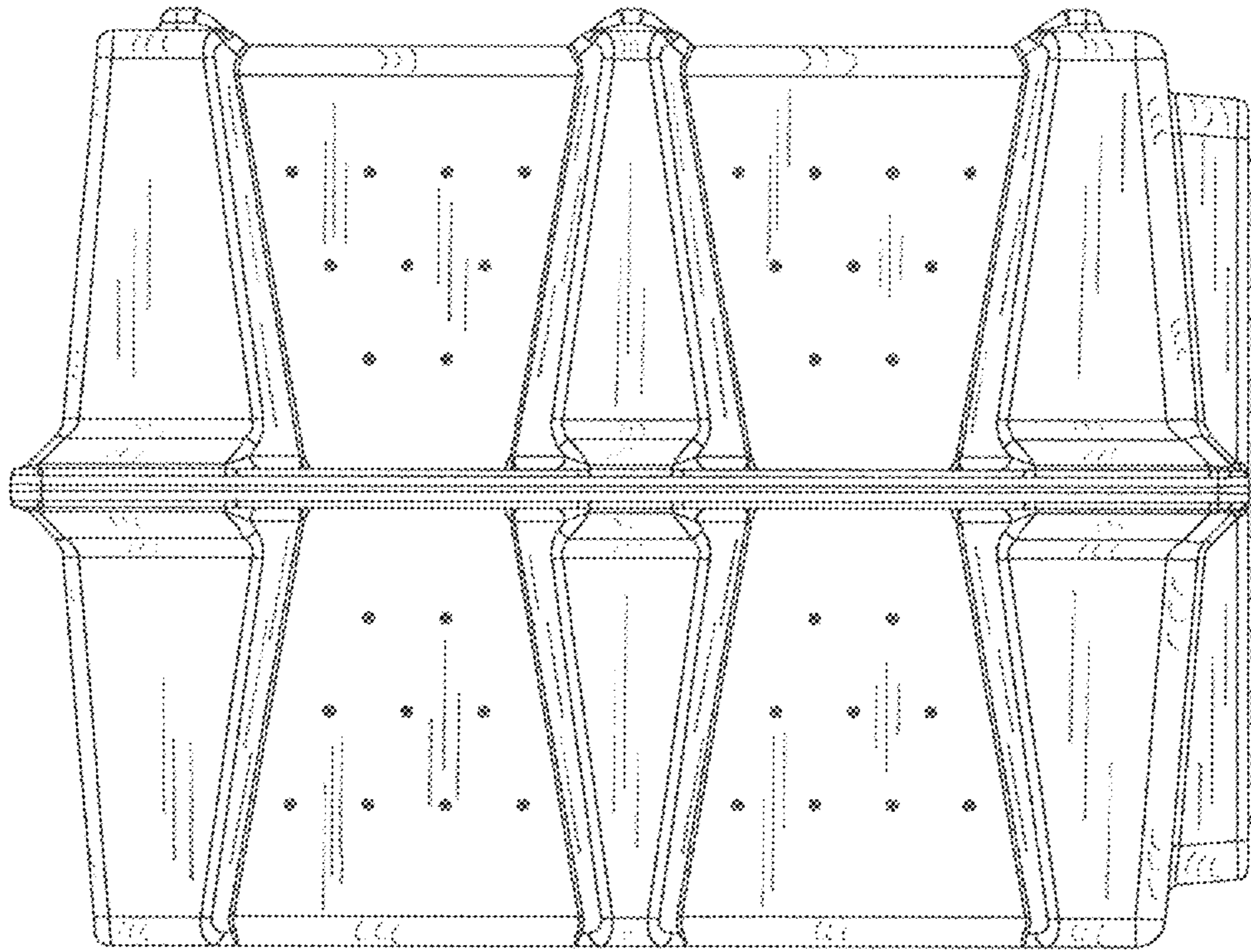


Fig. 4

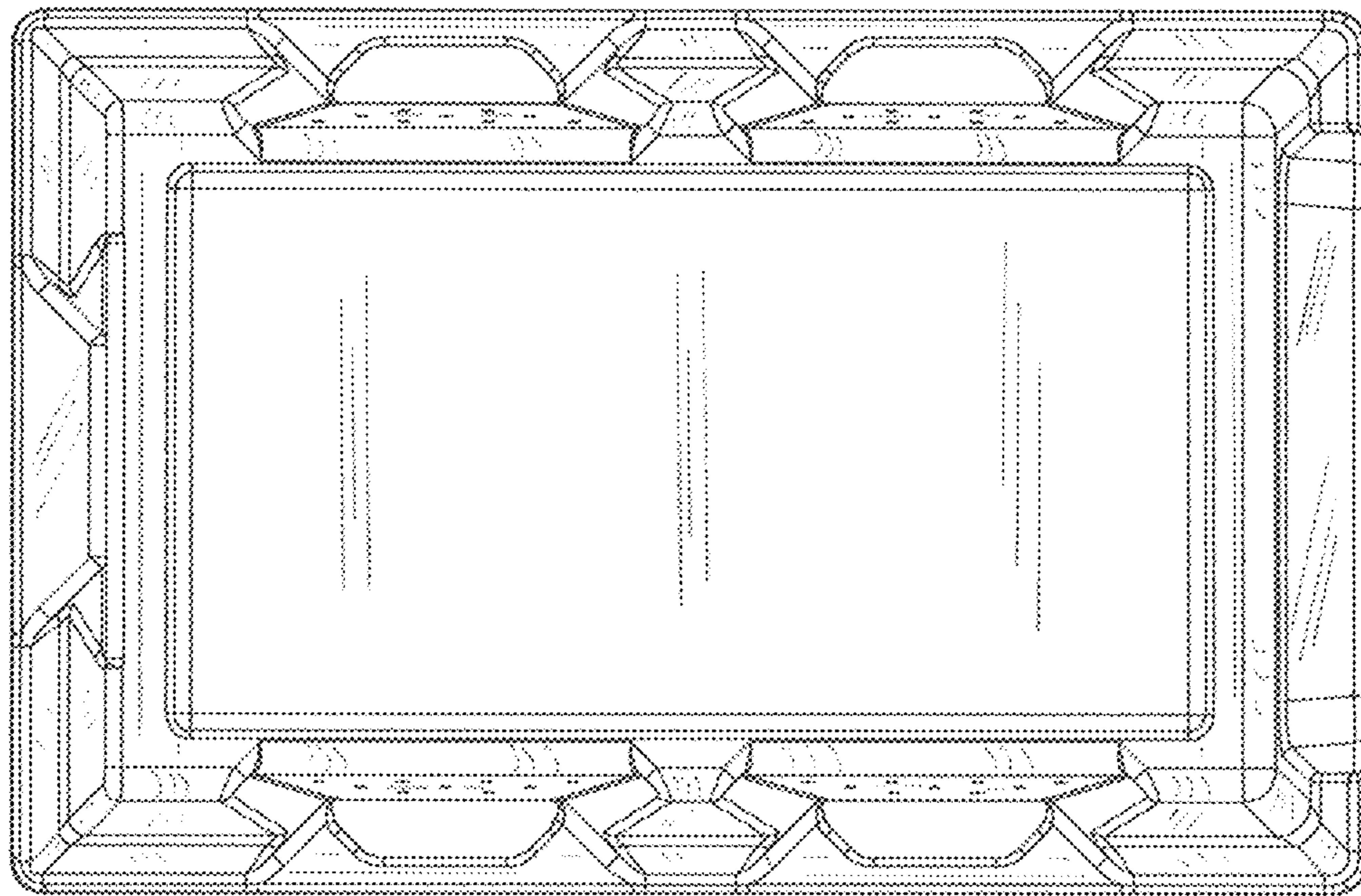


Fig. 5

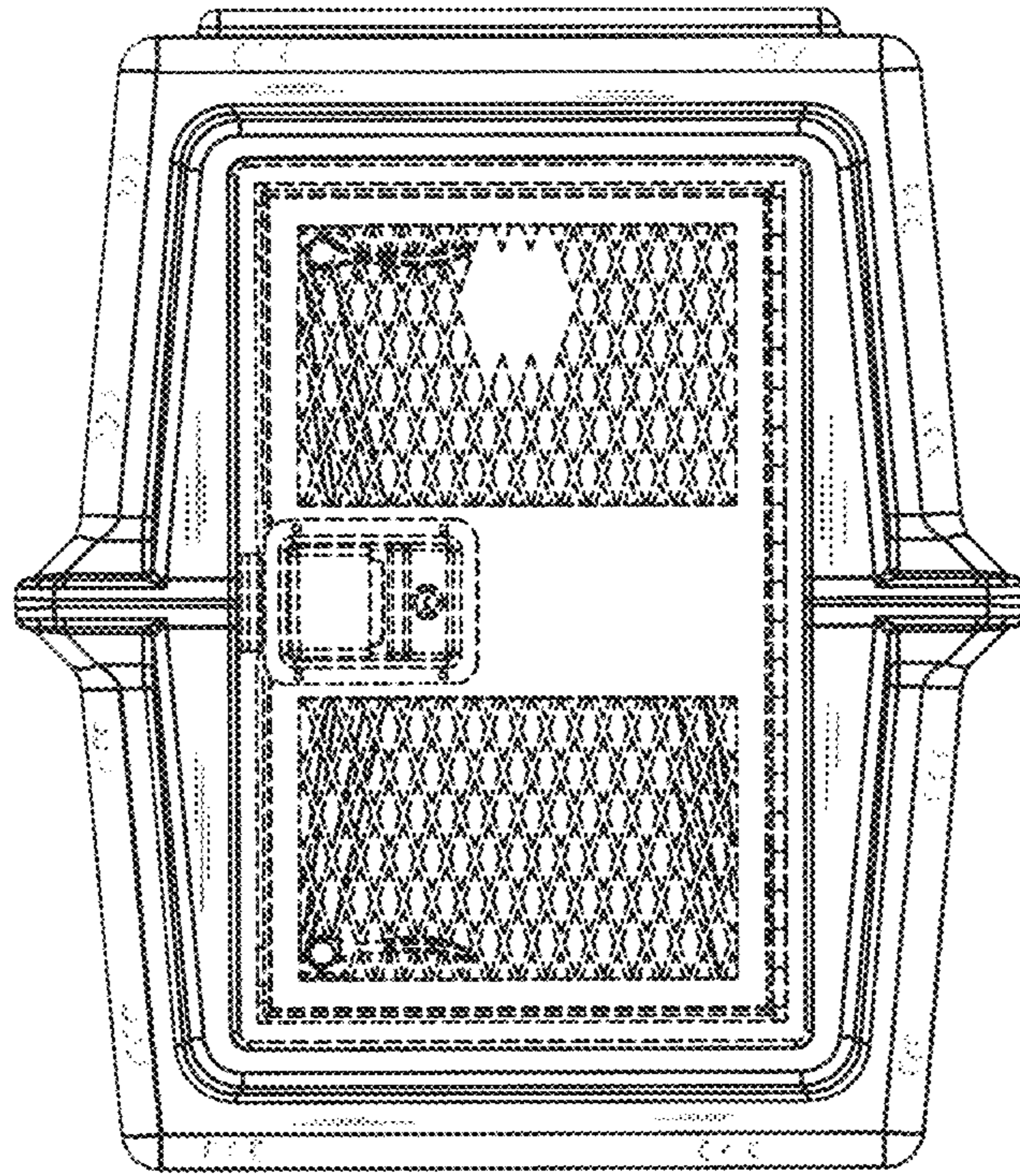


Fig. 6

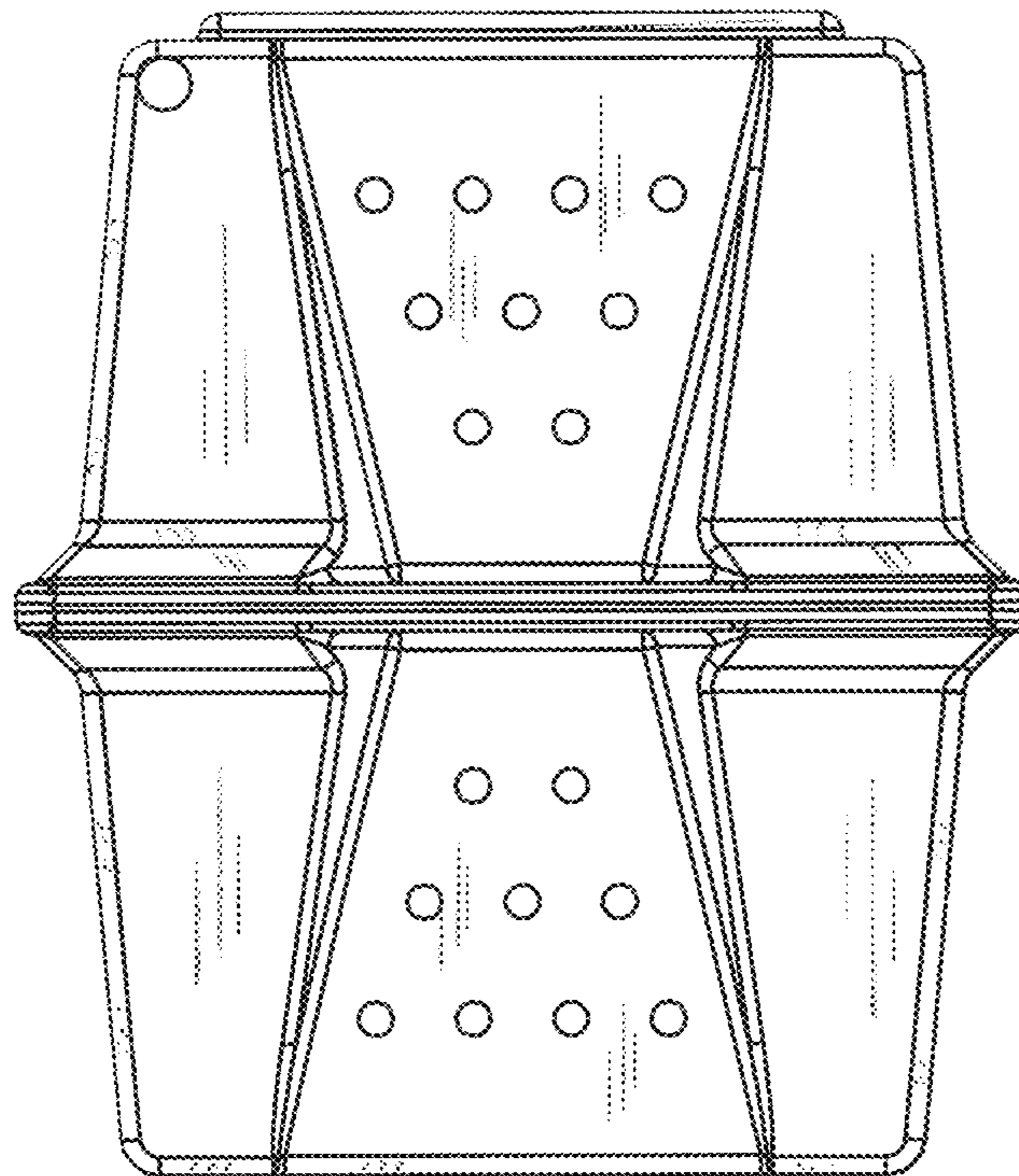


Fig. 7