



US00D915682S

(12) **United States Design Patent**
Whitehead et al.

(10) **Patent No.:** **US D915,682 S**
(45) **Date of Patent:** **** Apr. 6, 2021**

| | | | | |
|---|-------------------|--------|--------------|-------------------------|
| (54) FACE SHIELD | D732,242 S * | 6/2015 | Miller | A41D 13/1184 D29/110 |
| (71) Applicant: SUNCAST TECHNOLOGIES, LLC, Palm Beach Gardens, FL (US) | 9,532,617 B2 * | 1/2017 | Miller | A41D 13/1184 |
| | D853,656 S * | 7/2019 | Martin | A41D 13/1184 D29/110 |
| (72) Inventors: Stephen Whitehead, Elgin, IL (US); Torrence Anderson, Overland Park, KS (US); Kent Martin, Elburn, IL (US) | D882,182 S * | 4/2020 | Fekete | A41D 13/1184 D29/110 |
| | 2012/0047614 A1 * | 3/2012 | Choi | A41D 13/1184 2/9 |

(73) Assignee: **Suncast Technologies, LLC,** Palm Beach Gardens, FL (US)

* cited by examiner

(**) Term: **15 Years**

Primary Examiner — Robert A Delehanty

(74) *Attorney, Agent, or Firm* — McHale & Slavin, P.A.

(21) Appl. No.: **29/733,879**

(22) Filed: **May 7, 2020**

(51) **LOC (13) Cl.** **29-02**

(52) **U.S. Cl.**
USPC **D29/110**

(58) **Field of Classification Search**
USPC D29/105–110, 123; D24/110.1–110.2;
D2/866, 893; D28/10; D16/310–312
See application file for complete search history.

(56) **References Cited**

U.S. PATENT DOCUMENTS

| | | | |
|--------------|--------|---------------|-------------------------|
| D349,362 S * | 8/1994 | Russell | A41D 13/1184 D29/110 |
| D362,086 S * | 9/1995 | Russell | A41D 13/1184 D29/110 |

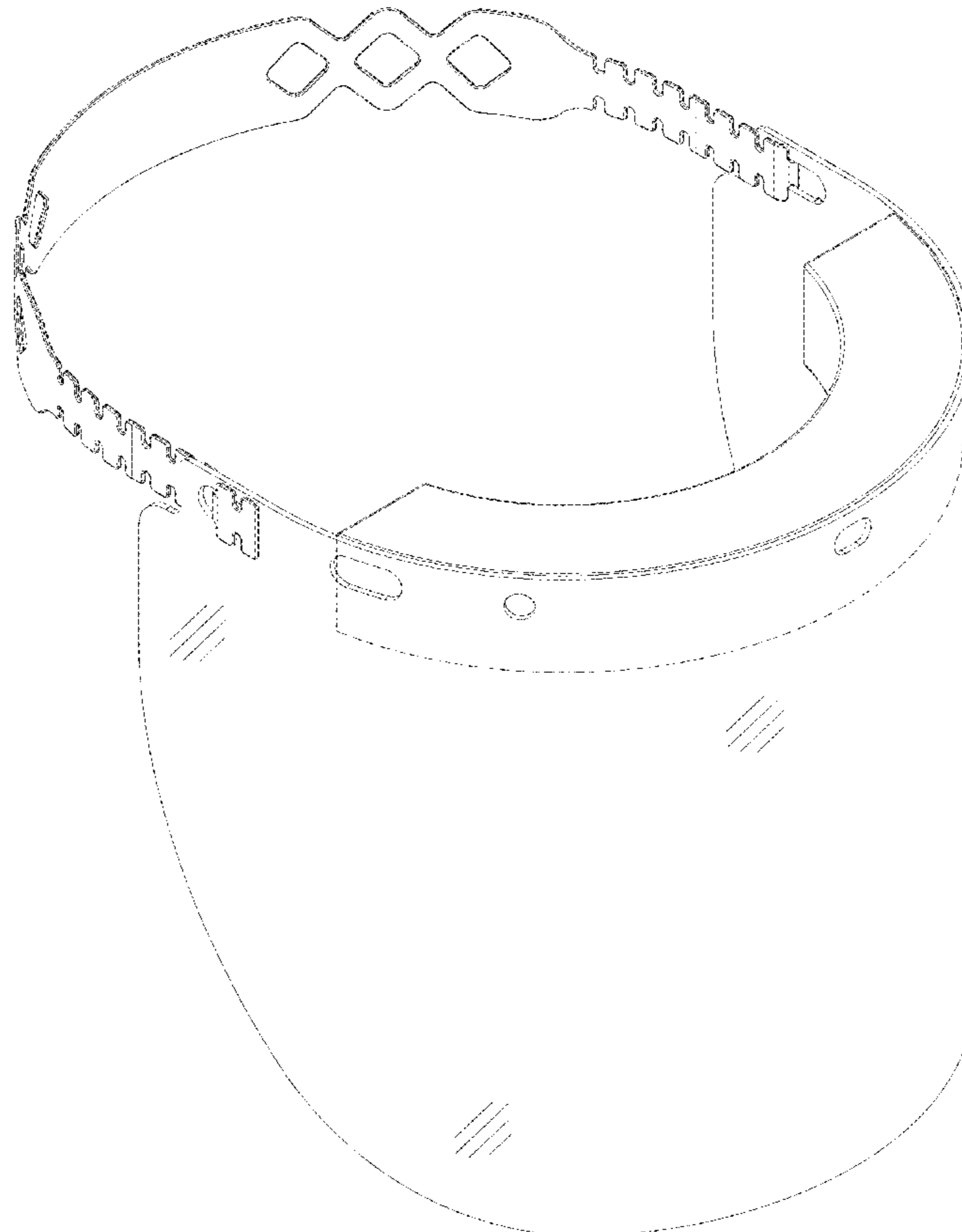
(57) **CLAIM**

The ornamental design for a face shield, as shown and described.

DESCRIPTION

FIG. 1 is a top front left perspective view of the face shield of the present invention;
FIG. 2 is a top front right perspective view thereof;
FIG. 3 is a front view thereof;
FIG. 4 is a left side view thereof;
FIG. 5 is a right side view thereof;
FIG. 6 is a top view thereof; and,
FIG. 7 is a bottom view thereof.

1 Claim, 7 Drawing Sheets



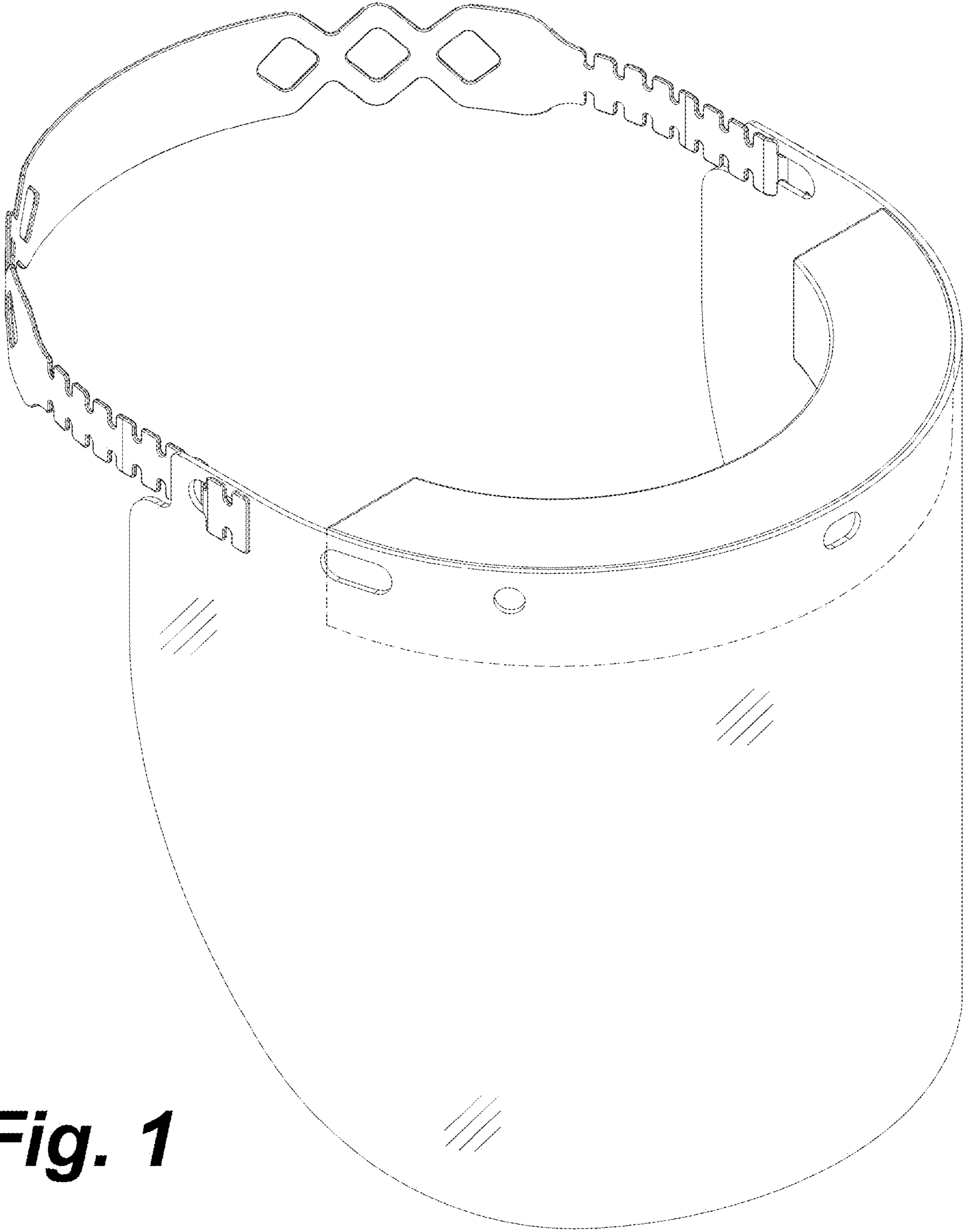


Fig. 1

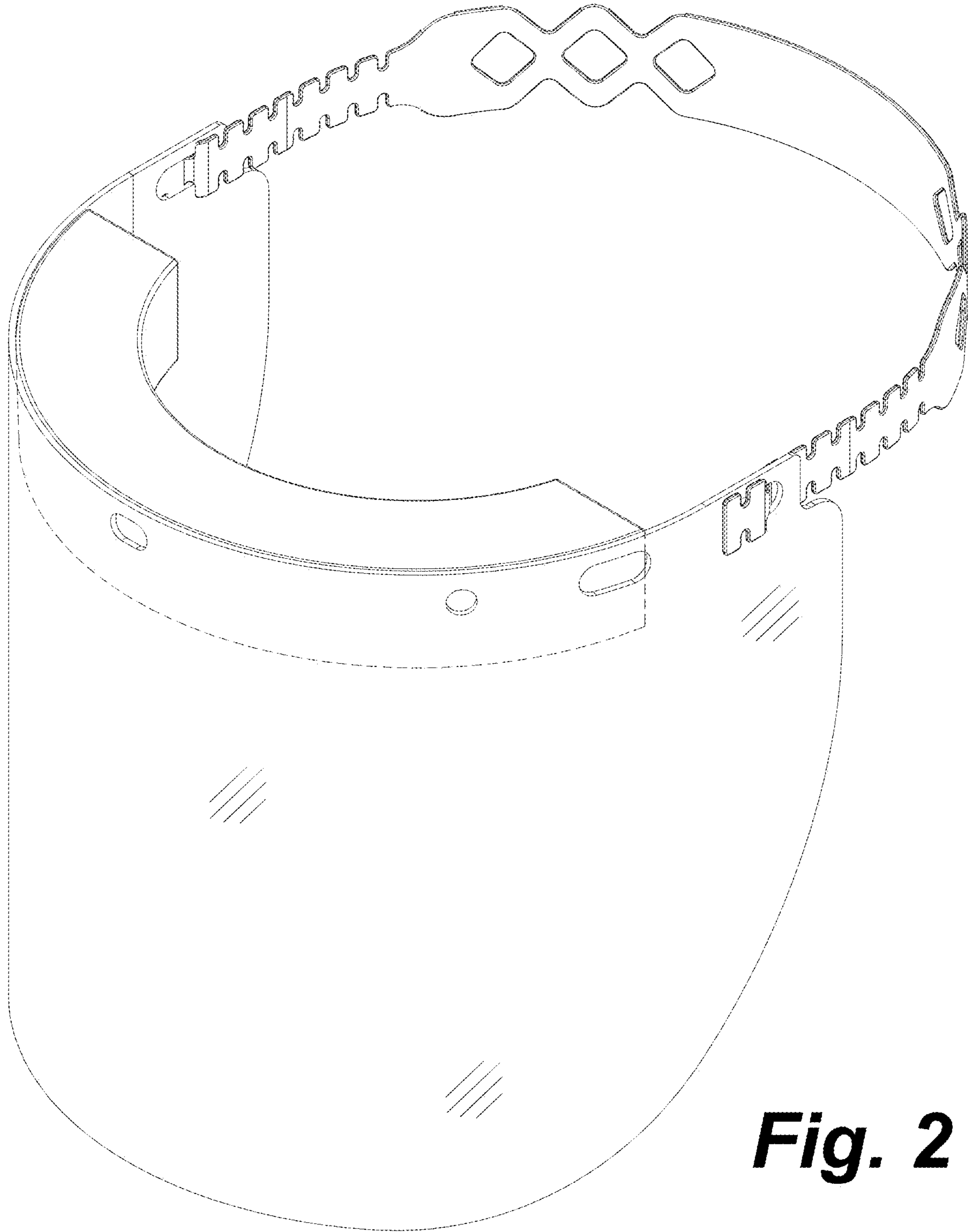


Fig. 2

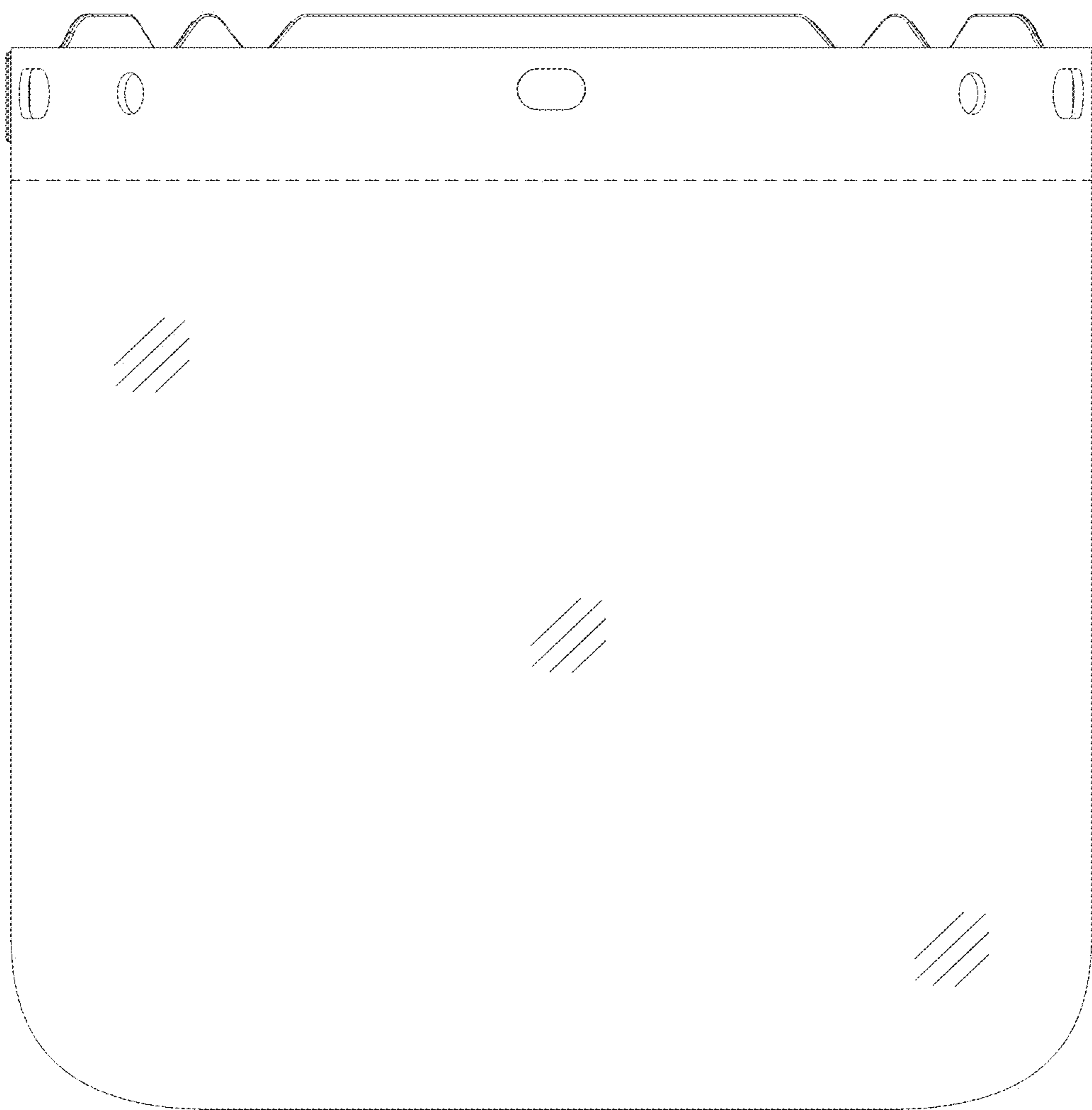


Fig. 3

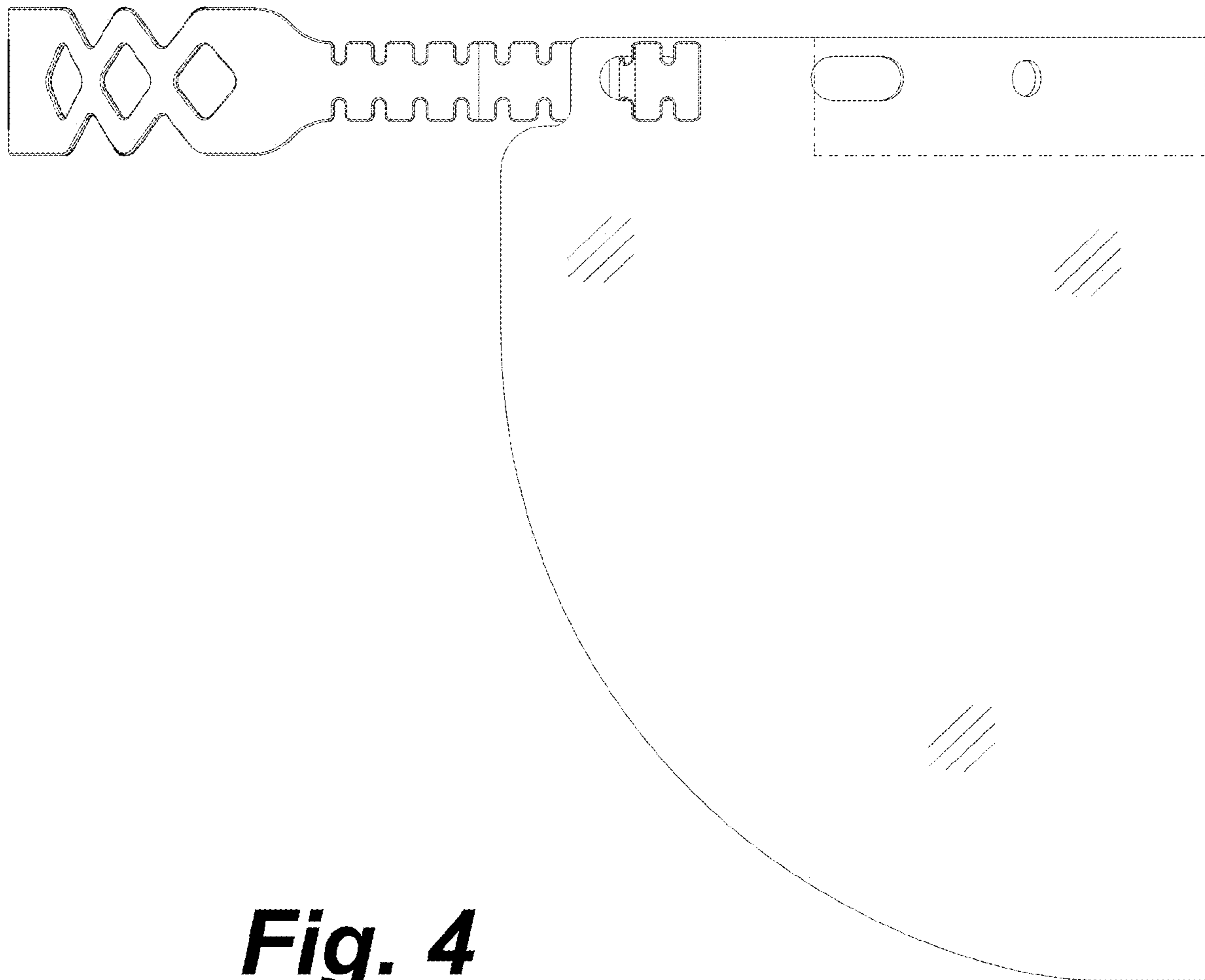


Fig. 4

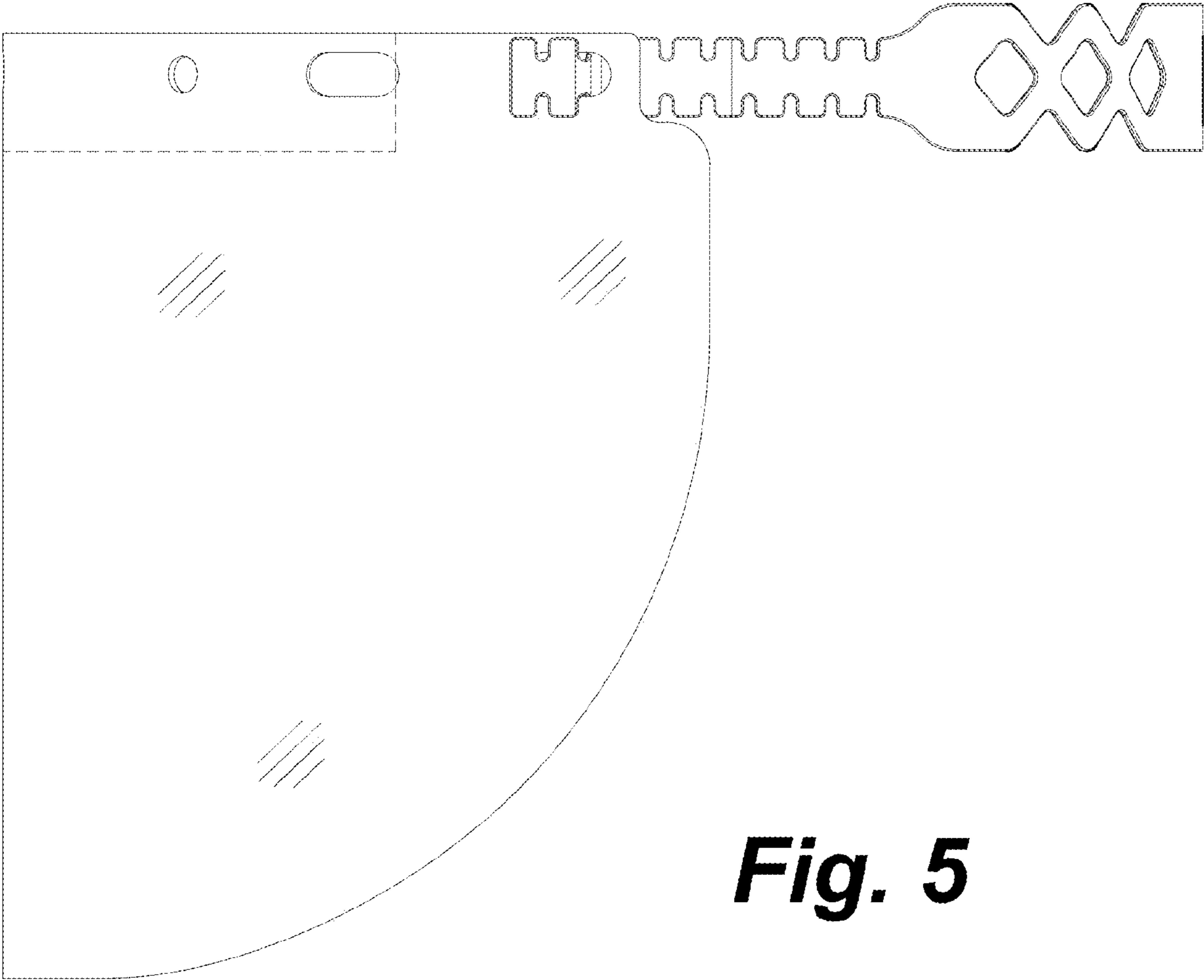


Fig. 5

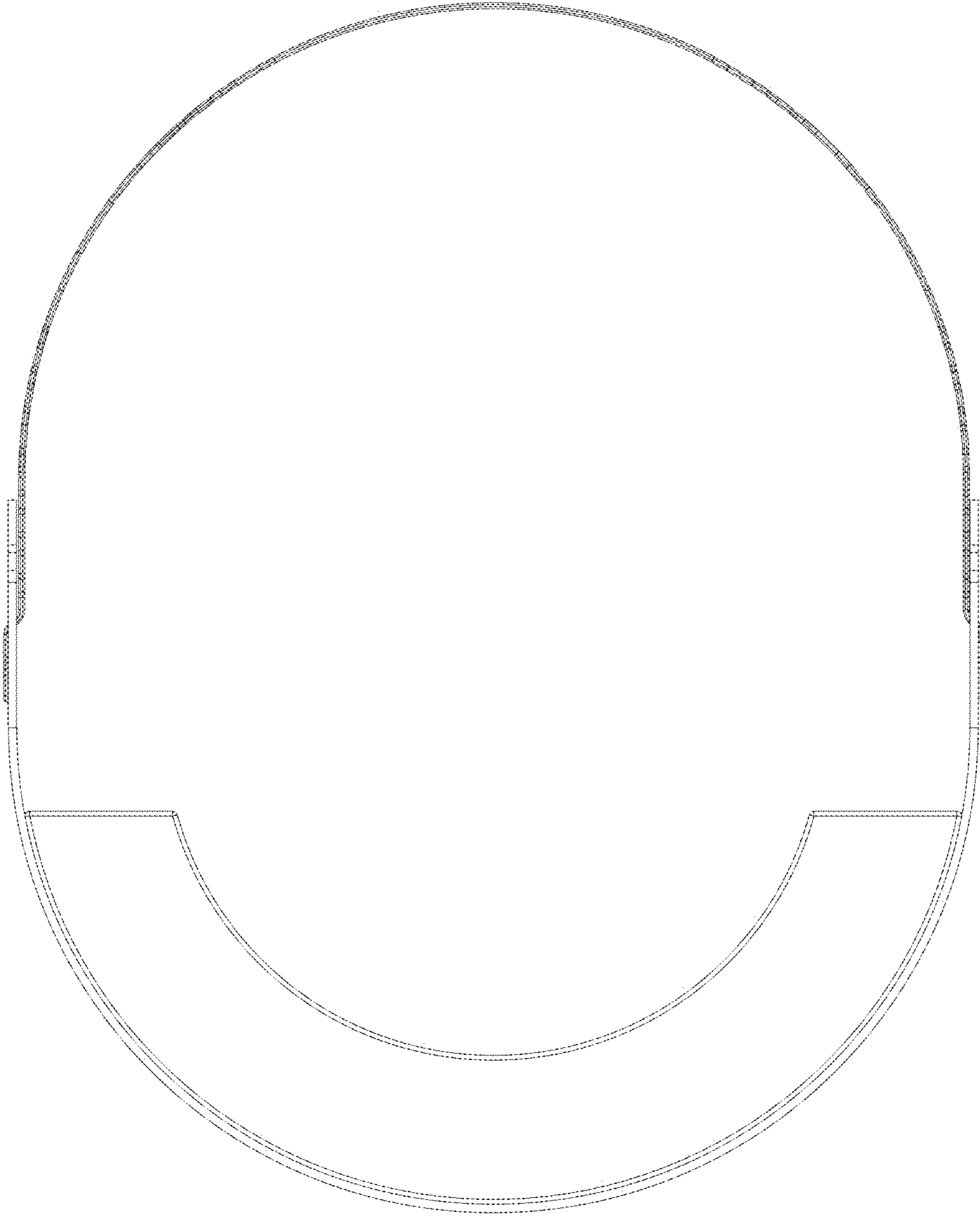


Fig. 6

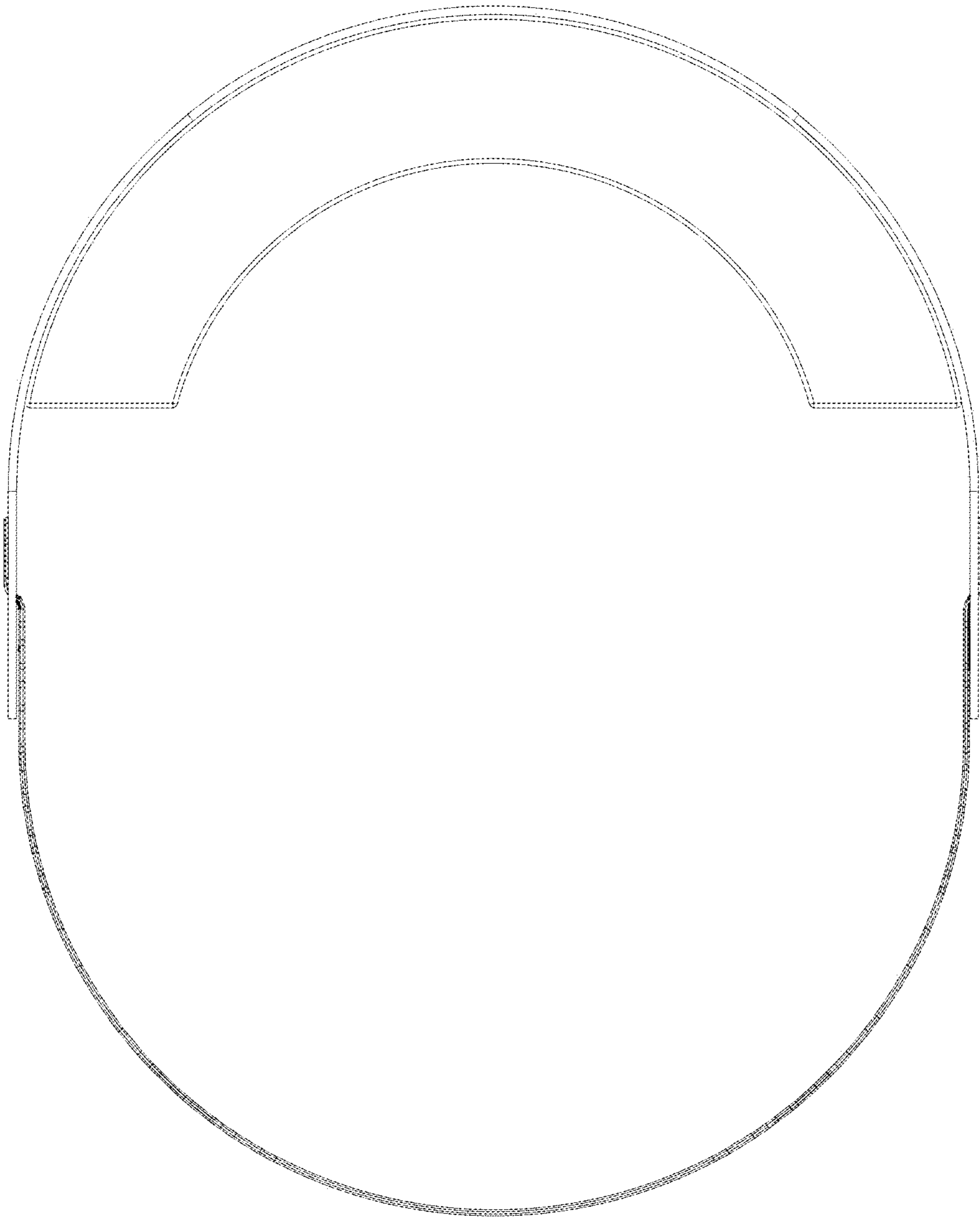


Fig. 7