



US00D915681S

(12) **United States Design Patent**
Whitehead et al.

(10) **Patent No.:** **US D915,681 S**

(45) **Date of Patent:** **** Apr. 6, 2021**

(54) **FACE SHIELD**
(71) Applicant: **SUNCAST TECHNOLOGIES, LLC**,
Palm Beach Gardens, FL (US)
(72) Inventors: **Stephen Whitehead**, Elgin, IL (US);
Torrence Anderson, Overland Park, IL
(US); **Kent Martin**, Geneva, IL (US)
(73) Assignee: **Suncast Technologies, LLC**, Palm
Beach Gardens, FL (US)

D732,242 S * 6/2015 Miller A41D 13/1184
D29/110
9,532,617 B2 * 1/2017 Miller A41D 13/1184
D853,656 S * 7/2019 Martin A41D 13/1184
D29/110
D882,182 S * 4/2020 Fekete A41D 13/1184
D29/110
D899,002 S * 10/2020 Chapman A41D 13/1184
D29/110
2012/0047614 A1 * 3/2012 Choi A41D 13/1184
2/9

(**) Term: **15 Years**

* cited by examiner

Primary Examiner — Robert A Delehanty

(21) Appl. No.: **29/732,553**

(74) *Attorney, Agent, or Firm* — McHale & Slavin, P.A.

(22) Filed: **Apr. 24, 2020**

(51) **LOC (13) Cl.** **29-02**

(57) **CLAIM**

(52) **U.S. Cl.**
USPC **D29/110**

The ornamental design for face shield, as shown and described.

(58) **Field of Classification Search**
USPC D29/105–110, 123; D24/110.1–110.2;
D2/866, 893; D28/10; D16/310–312
See application file for complete search history.

DESCRIPTION

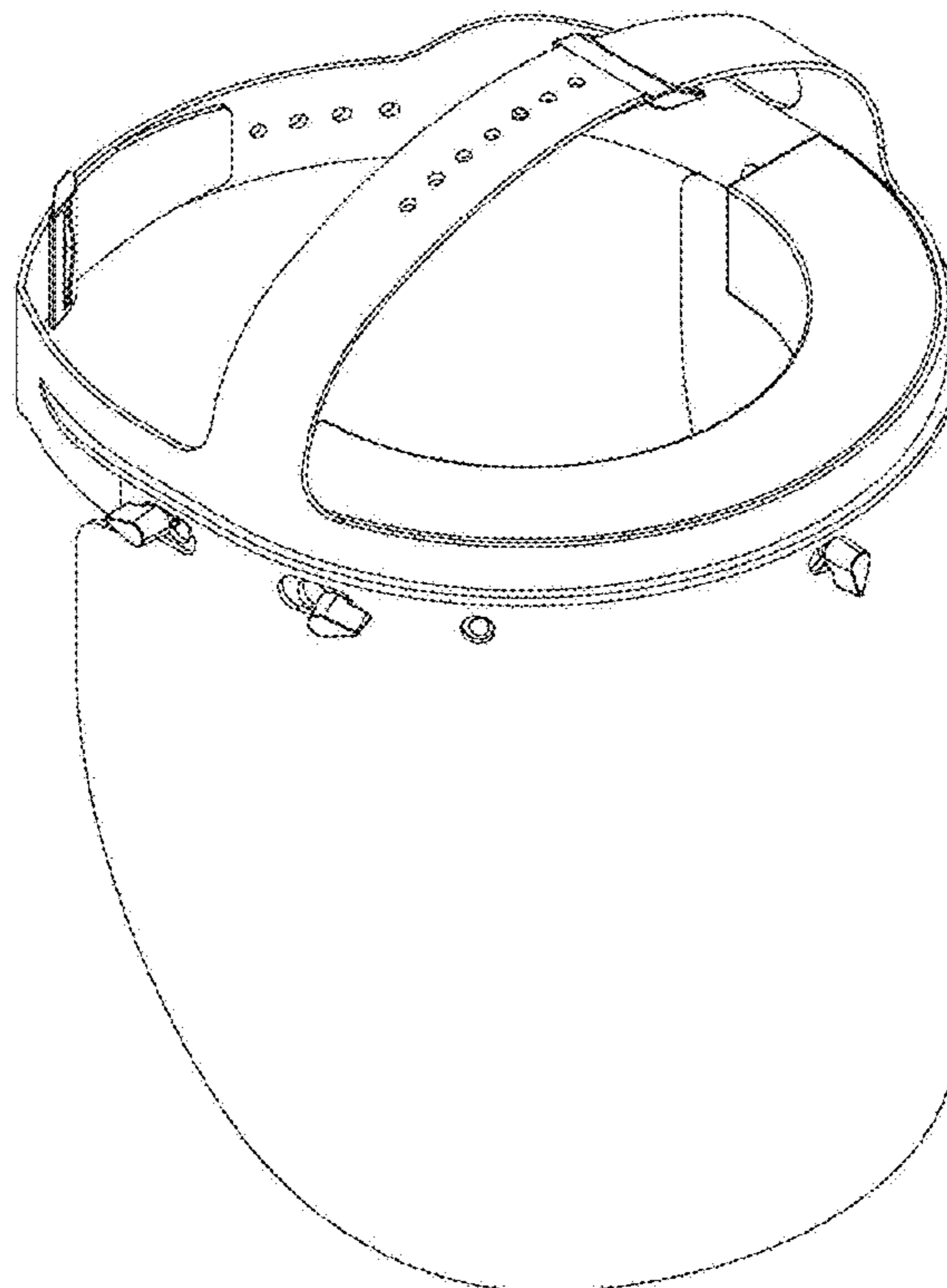
(56) **References Cited**

U.S. PATENT DOCUMENTS

D249,597 S * 9/1978 Dillon D29/110
4,945,573 A * 8/1990 Landis A41D 13/1184
2/9
D349,362 S * 8/1994 Russell A41D 13/1184
D29/110
D362,086 S * 9/1995 Russell A41D 13/1184
D29/110

FIG. 1 is a top front left perspective view of the face shield of the present invention;
FIG. 2 is a top front right perspective view thereof;
FIG. 3 is a front view thereof;
FIG. 4 is a left side view thereof;
FIG. 5 is a right side view thereof;
FIG. 6 is a top view thereof; and,
FIG. 7 is a bottom view thereof.

1 Claim, 7 Drawing Sheets



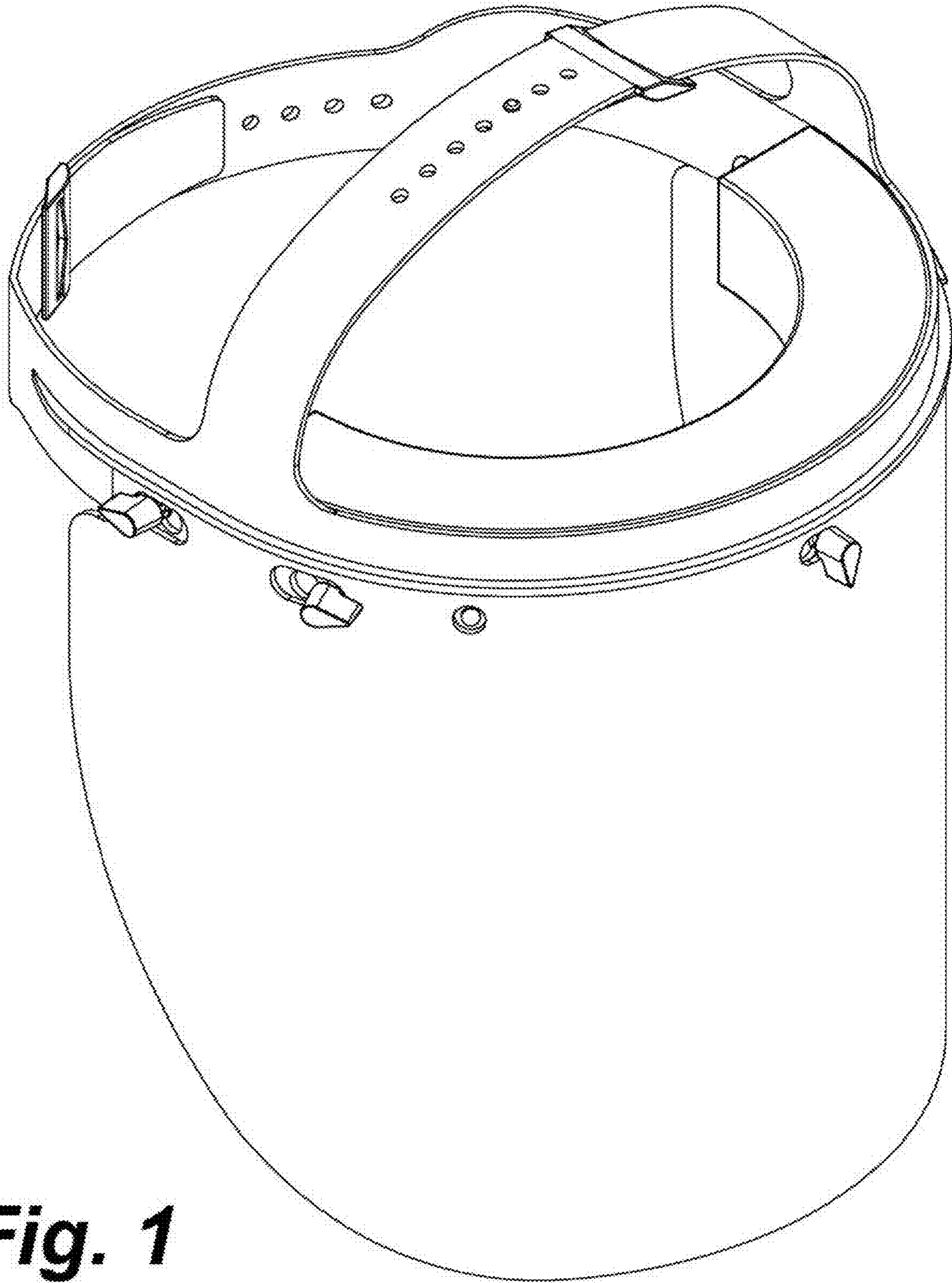


Fig. 1

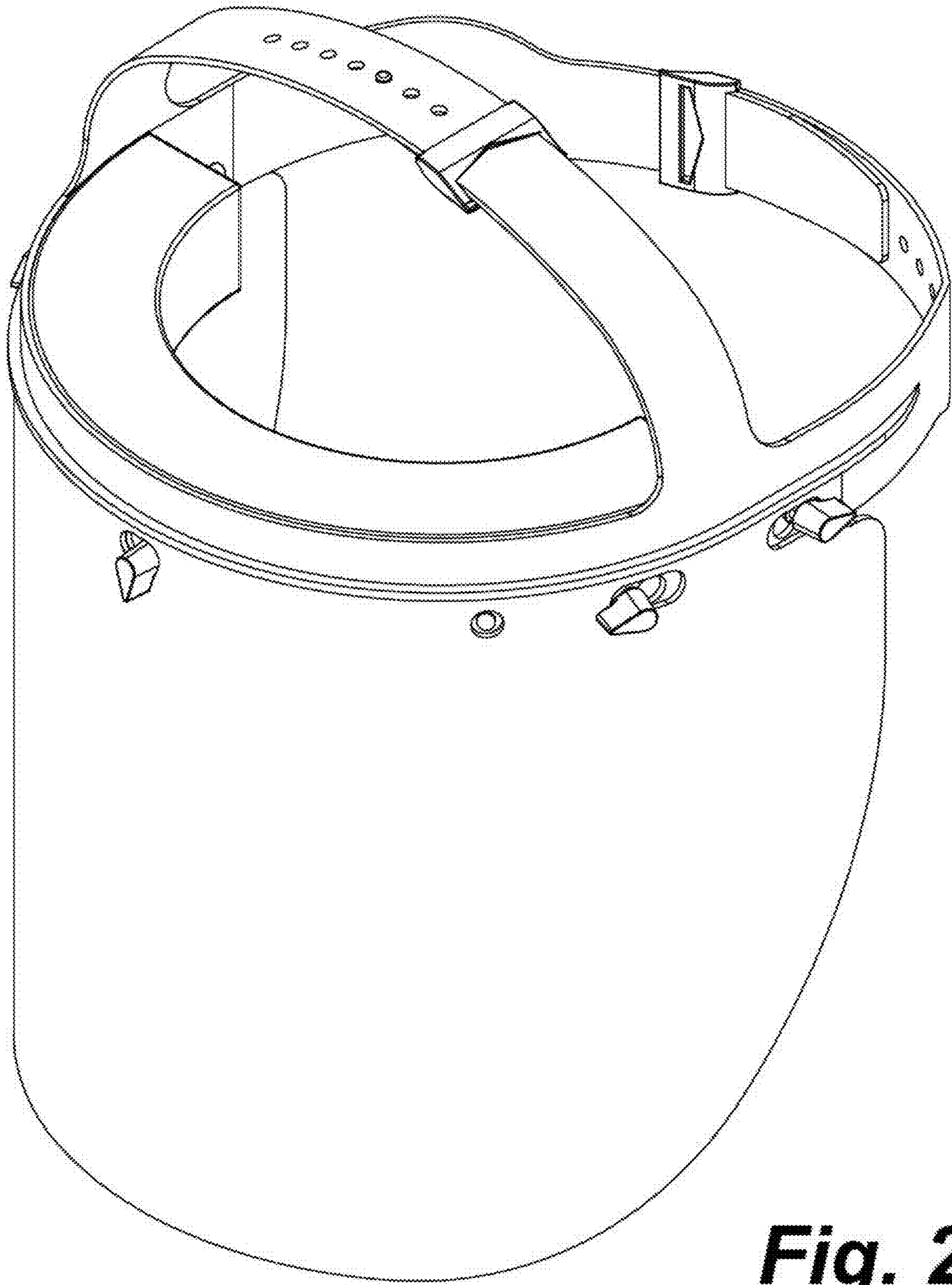


Fig. 2

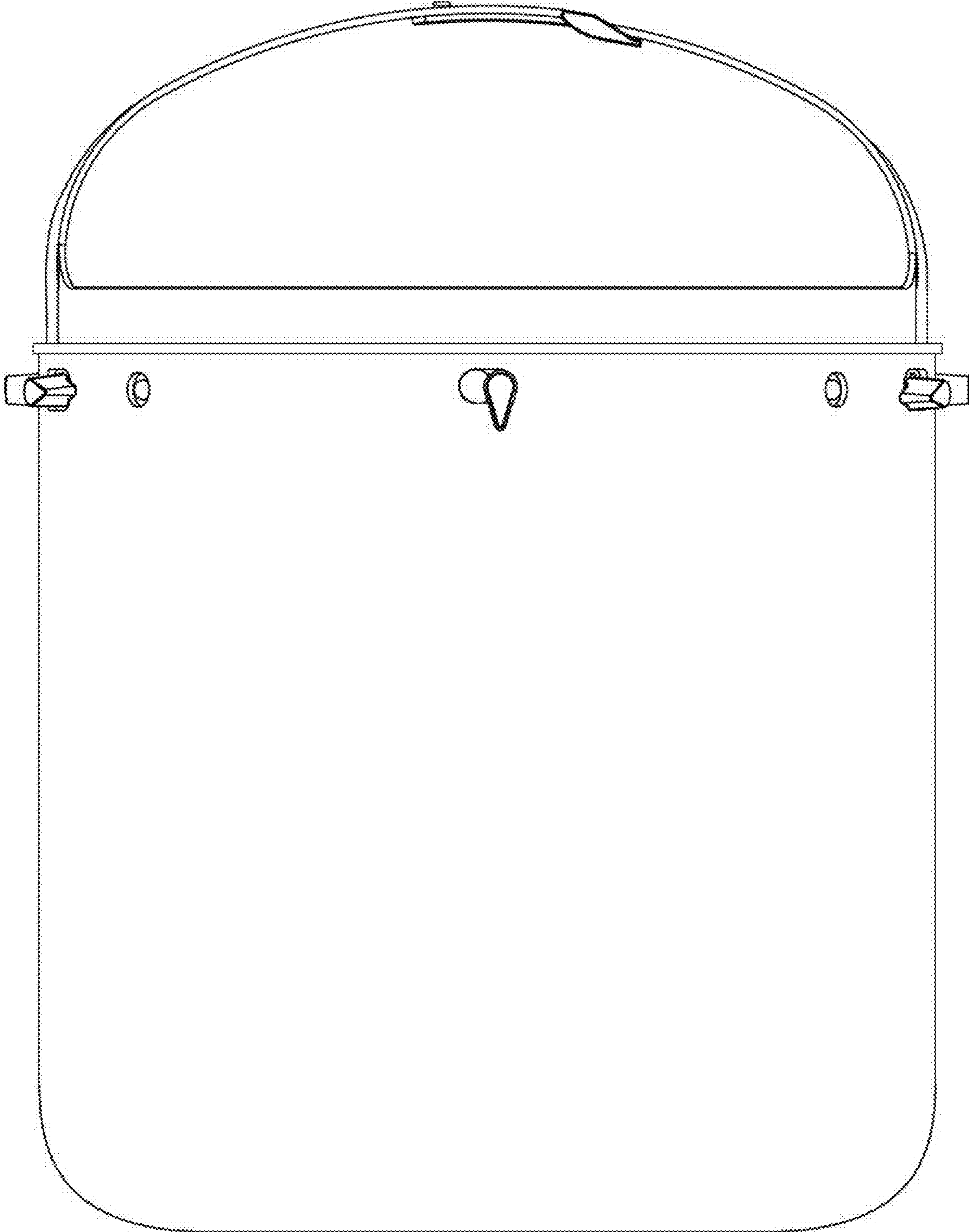


Fig. 3

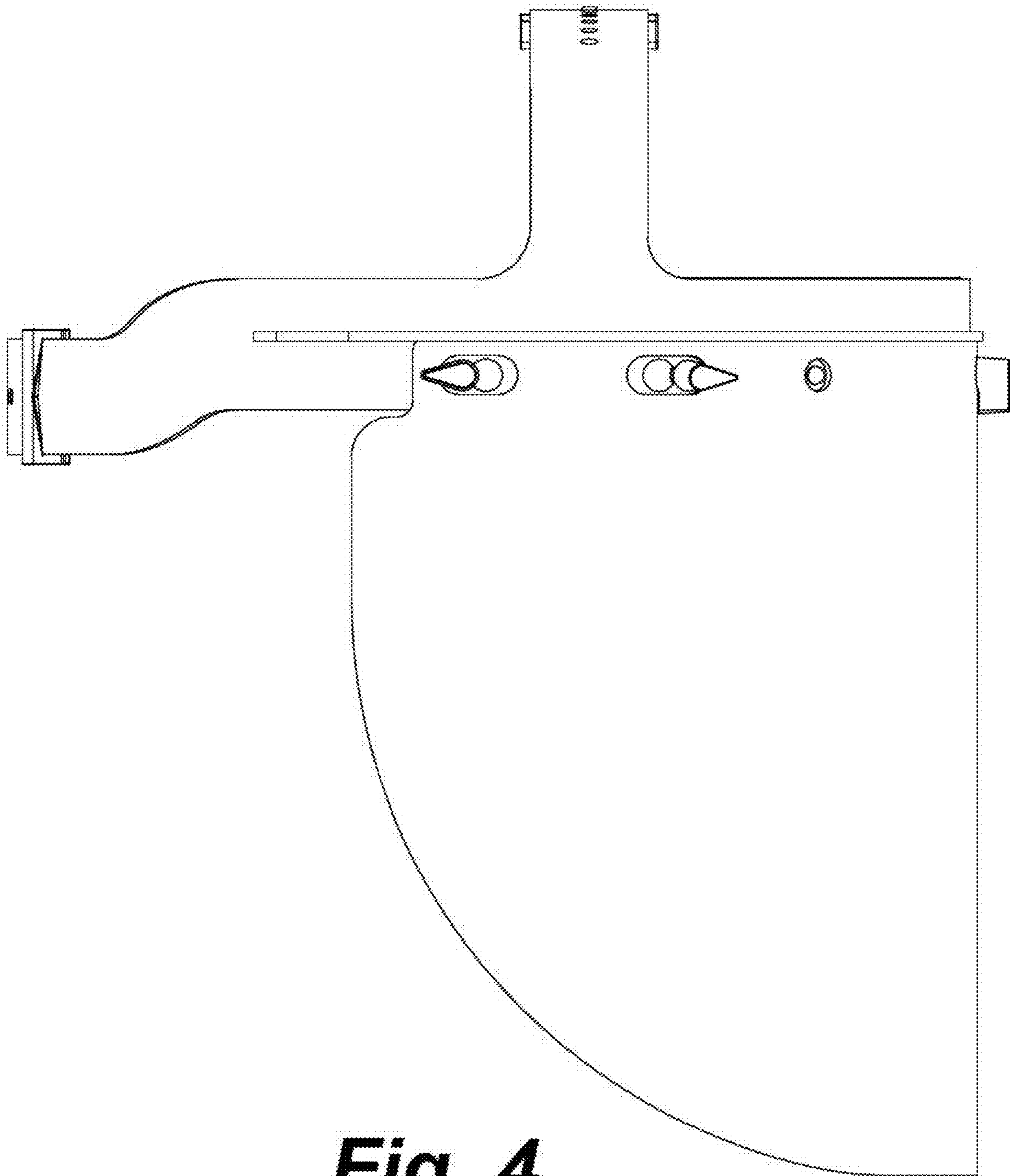


Fig. 4

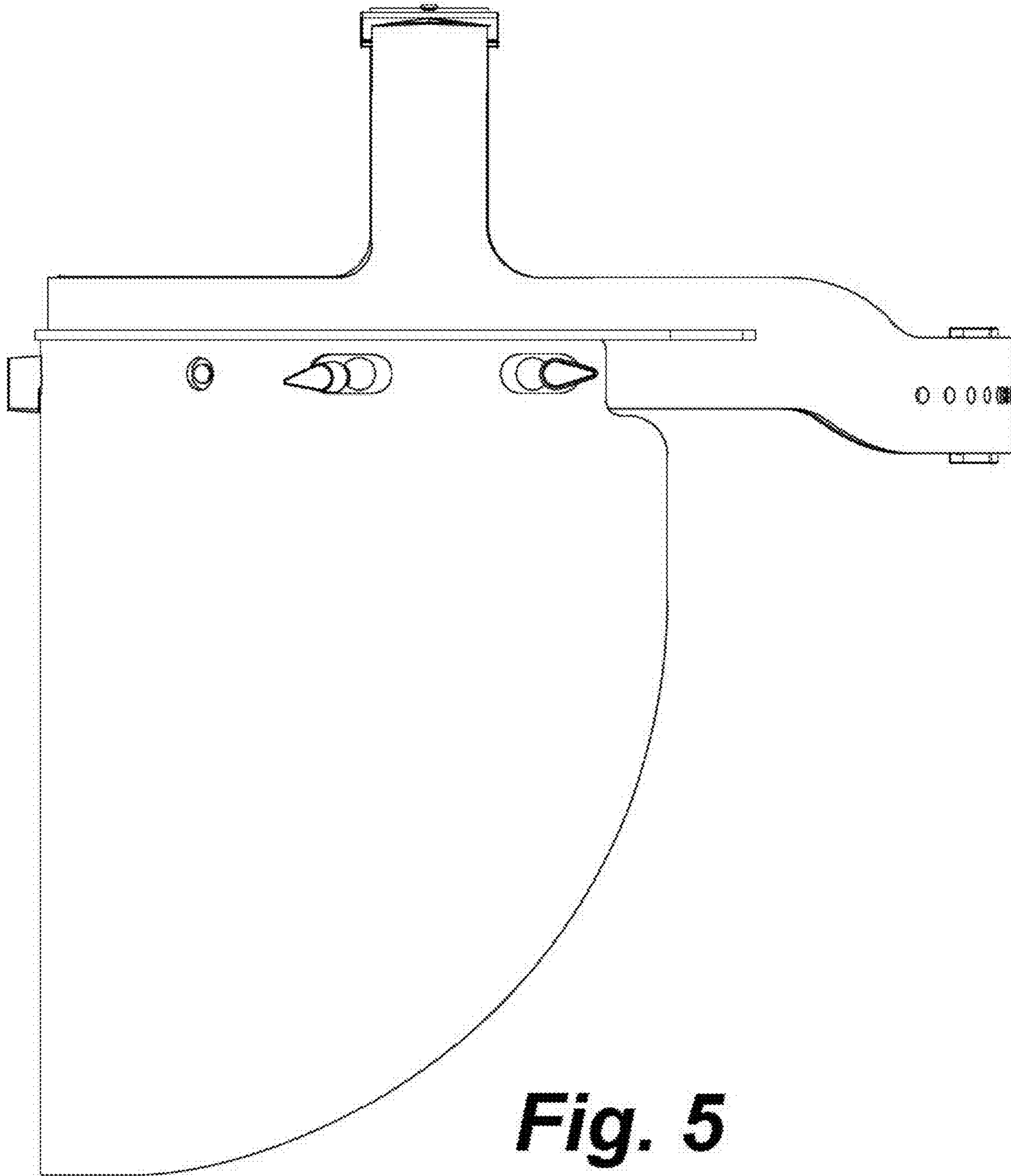


Fig. 5

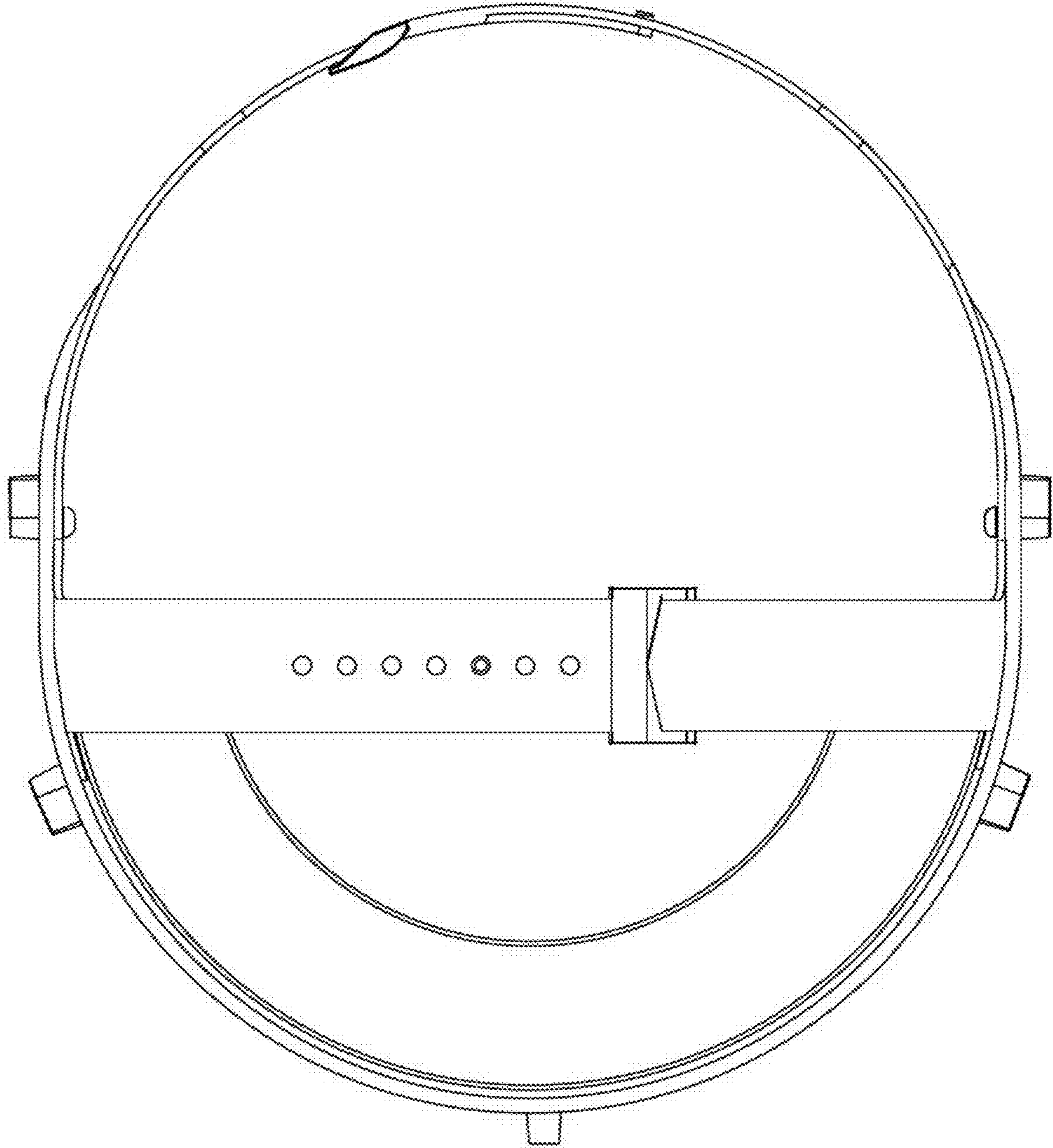


Fig. 6

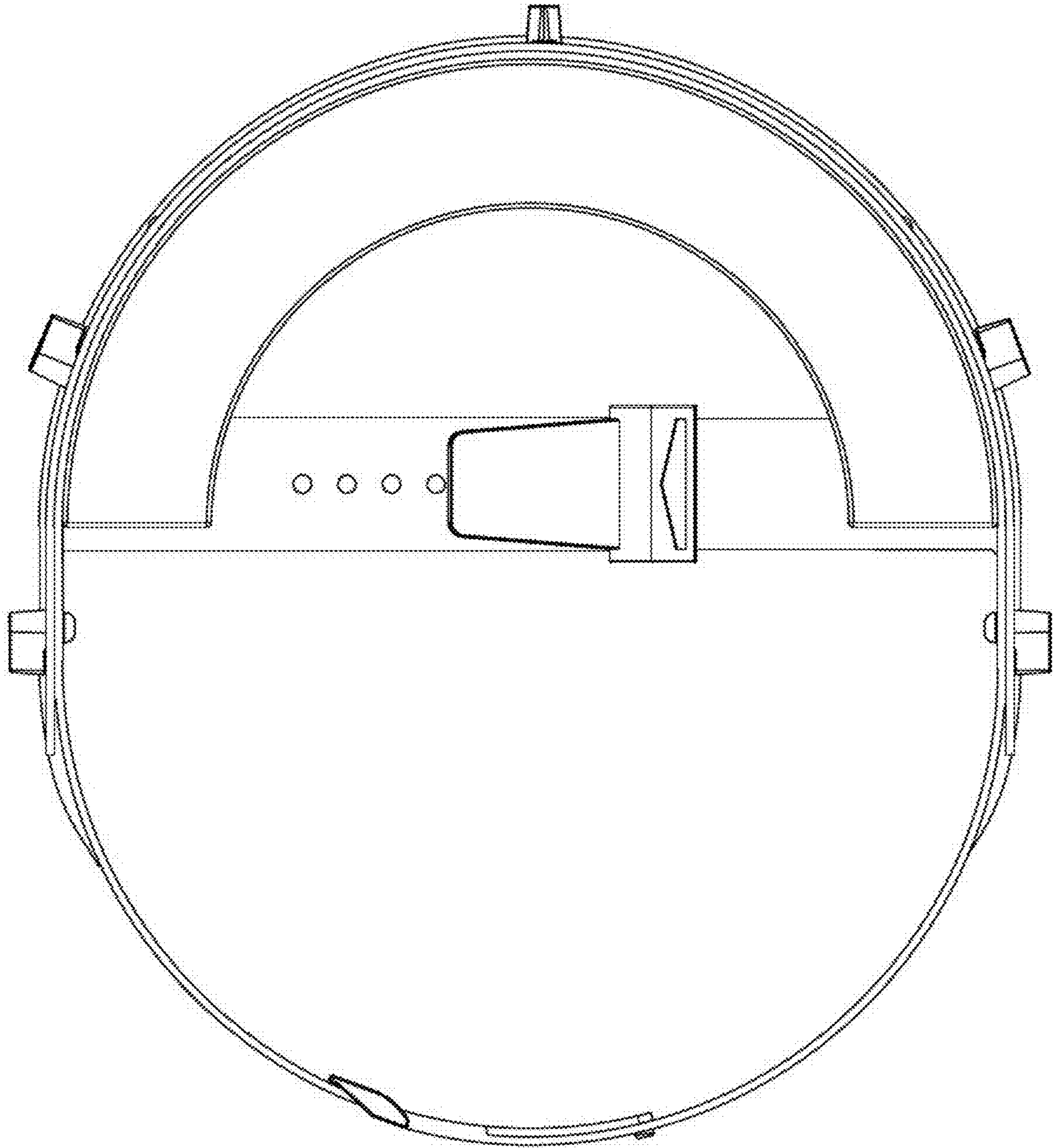


Fig. 7