



US00D915680S

(12) **United States Design Patent**  
**Contreras**

(10) **Patent No.:** **US D915,680 S**

(45) **Date of Patent:** **\*\* Apr. 6, 2021**

(54) **RIBBONED FEDORA MOTORCYCLE  
HELMET**

(71) Applicant: **Noel Contreras**, San Mateo, CA (US)

(72) Inventor: **Noel Contreras**, San Mateo, CA (US)

(\*\*) Term: **15 Years**

(21) Appl. No.: **29/668,201**

(22) Filed: **Oct. 29, 2018**

(51) **LOC (13) Cl.** ..... **02-03**

(52) **U.S. Cl.**  
USPC ..... **D29/102**

(58) **Field of Classification Search**  
USPC ..... D29/102-107, 122; D2/881, 886, 887,  
D2/894, 878, 882, 893  
CPC .. A42B 3/06; A42B 3/069; A42B 3/18; A42B  
3/221; A42B 3/225; A42B 3/227; A42B  
3/10; A42B 3/286; A42B 1/06; A42B  
1/00; A42B 1/02; A42B 1/062; A42C  
5/00

See application file for complete search history.

(56) **References Cited**

**U.S. PATENT DOCUMENTS**

327,354	A *	9/1885	Thomas	.....	A42B 1/02 2/175.2
338,584	A *	3/1886	Crafts	.....	A42B 1/02 2/209.7
970,894	A *	9/1910	Davies	.....	A42B 3/286 2/171.3
1,111,417	A *	9/1914	Tyler	.....	A42B 3/286 2/171.3
D53,065	S *	3/1919	Delman	.....	D2/888
1,378,977	A *	5/1921	Parmley	.....	A42B 1/02 2/175.5
1,512,465	A *	10/1924	Hodshon	.....	A42C 5/00 2/175.3
1,514,407	A *	11/1924	Thalimer	.....	A42B 1/02 2/175.1
1,672,217	A *	6/1928	Holmes	.....	A42B 1/22 2/175.3

1,689,539	A *	10/1928	Wagner	.....	A42C 5/02 2/171.2
1,755,198	A *	4/1930	Wittcoff	.....	A42B 1/205 2/171.1
1,775,561	A *	9/1930	Kanner	.....	A42C 5/02 2/181

(Continued)

**OTHER PUBLICATIONS**

Raza Trucholo Style Fedora Helmet (on-line), dated Jul. 9, 2019. Retrieved from Internet Jul. 13, 2020, URL: <https://www.facebook.com/ImpalasAndBombsMagazine/posts/new-raza-trucholo-style-fedora-helmet-theyre-starting-at-350-just-in-black-and-t/1882110738555309/> (1 page) (Year: 2019).\*

*Primary Examiner* — Kimberly Barnes

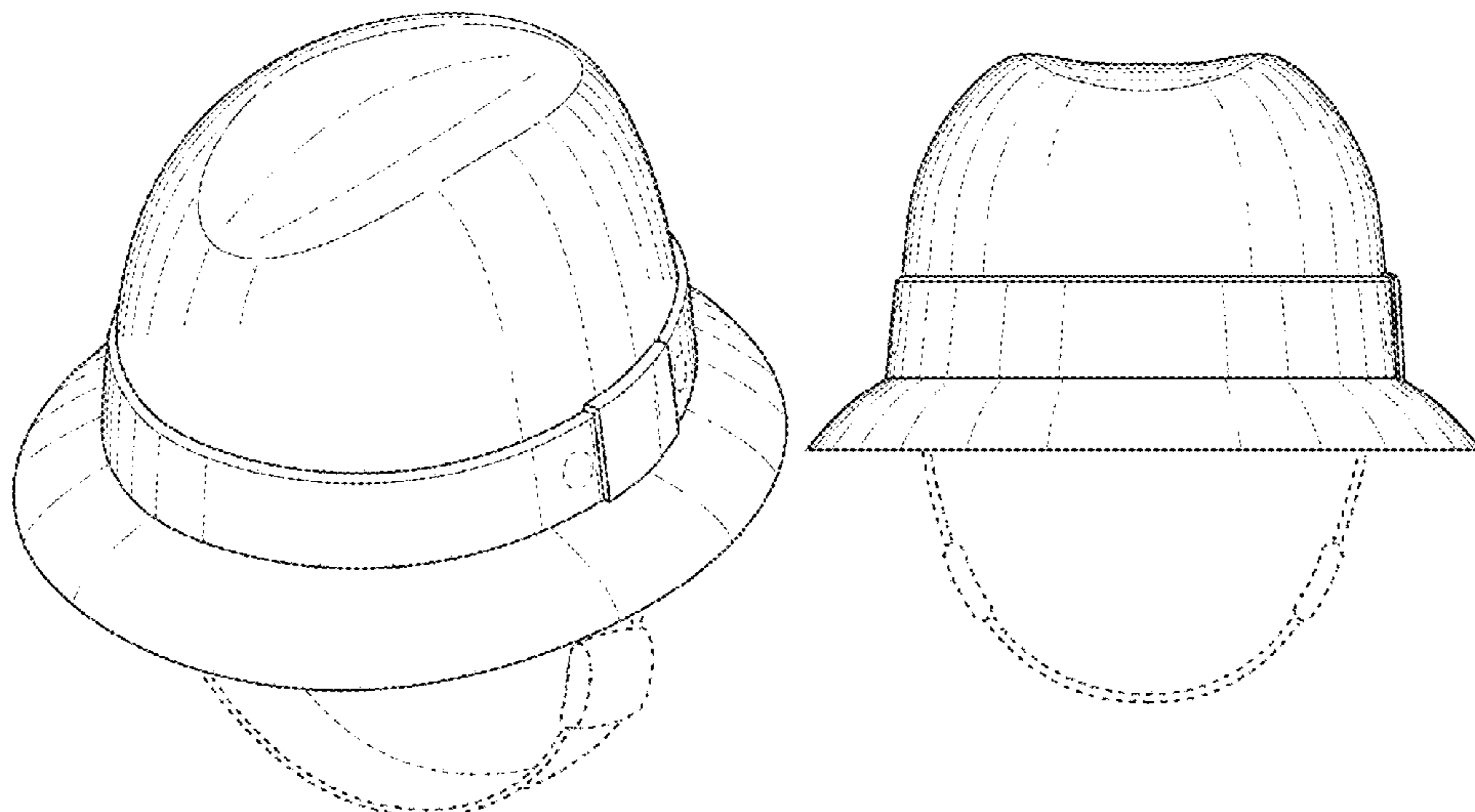
(57) **CLAIM**

The ornamental design for a ribboned fedora motorcycle helmet, as shown and described.

**DESCRIPTION**

FIG. 1 is a perspective view of a ribboned fedora motorcycle helmet of the present invention.  
FIG. 2 is a top view of the ribboned fedora motorcycle helmet of the present invention.  
FIG. 3 is a bottom view of the ribboned fedora motorcycle helmet of the present invention.  
FIG. 4 is a side view of the ribboned fedora motorcycle helmet of the present invention.  
FIG. 5 is another side view of the ribboned fedora motorcycle helmet of the present invention.  
FIG. 6 is a front view of the ribboned fedora motorcycle helmet of the present invention; and,  
FIG. 7 is back view of the ribboned fedora motorcycle helmet of the present invention.  
The broken lines in the drawings depict portions of the ribboned fedora motorcycle helmet that form no part of the claimed design.

**1 Claim, 5 Drawing Sheets**



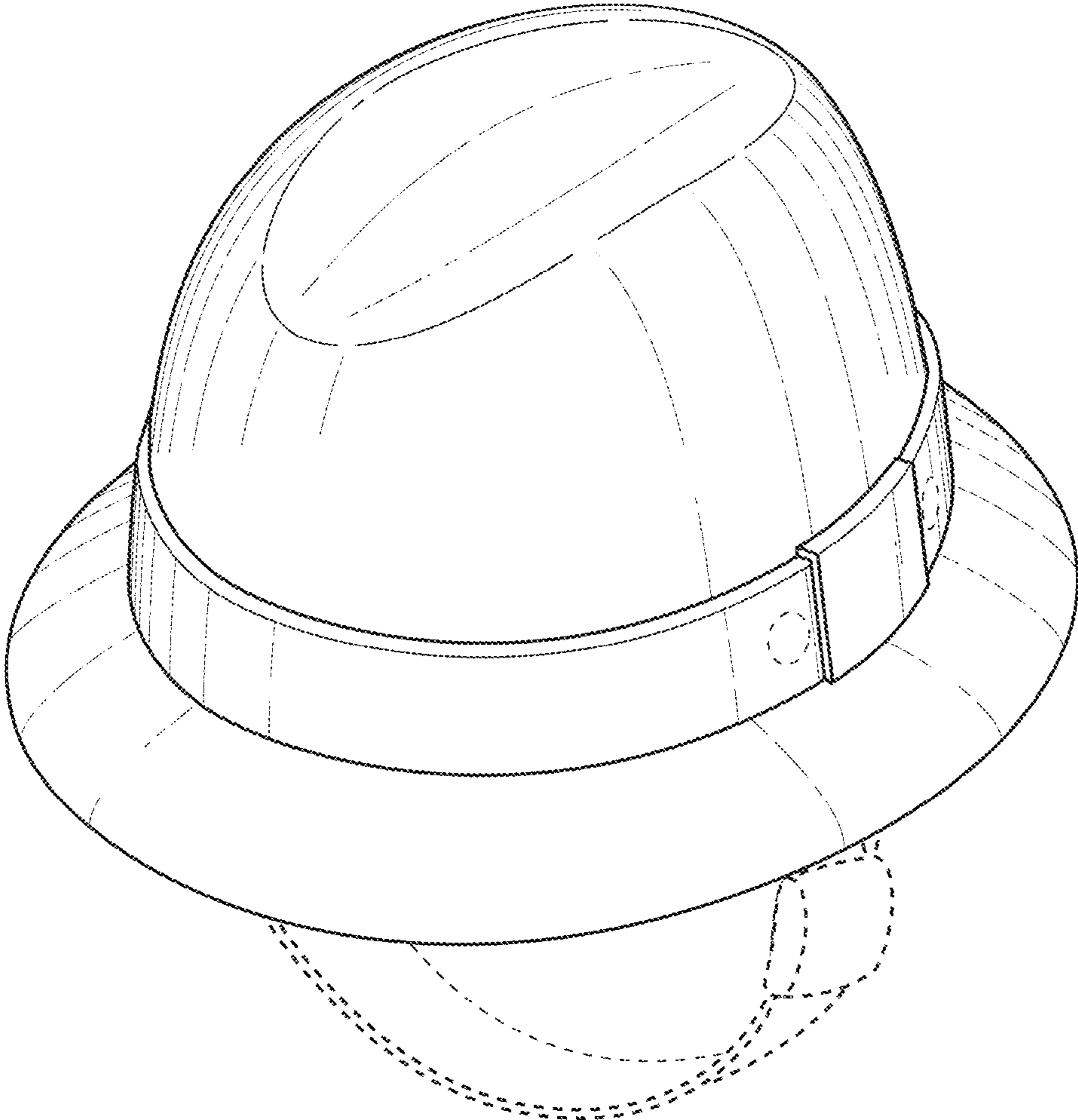
(56)

References Cited

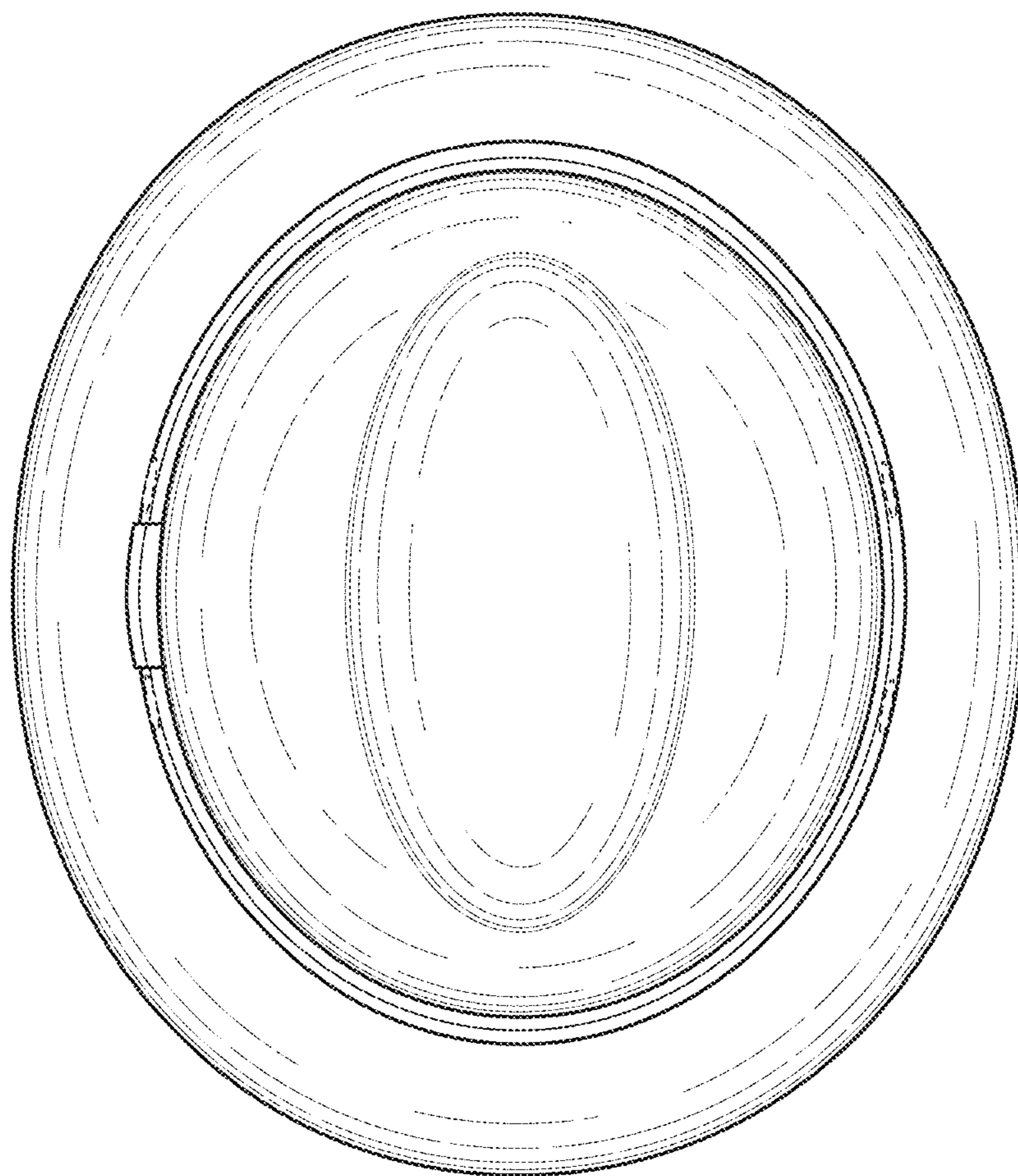
U.S. PATENT DOCUMENTS

1,784,470	A *	12/1930	Steinberg	.....	A42B 1/02	2/175.8
1,785,325	A *	12/1930	Rolnick	.....	A42B 1/02	2/175.2
1,811,187	A *	6/1931	Roberts	.....	A42C 5/00	24/710.5
1,824,785	A *	9/1931	Muhlfeld	.....	A42B 1/02	2/209.7
1,967,012	A *	7/1934	Stack	.....	A42C 1/06	2/175.1
2,020,191	A *	11/1935	Katz	.....	A42B 1/02	2/175.9
D98,961	S *	3/1936	Reynolds	.....	D2/887	
2,040,354	A *	5/1936	Wittcoff	.....	A42C 1/06	2/175.2
2,048,425	A *	7/1936	Caplain	.....	A42C 5/00	2/175.3
2,094,104	A *	9/1937	Lee	.....	A42B 1/02	2/175.9
2,166,337	A *	7/1939	Bauwens	.....	A42C 5/00	2/175.3
2,226,133	A *	12/1940	Lee, Jr.	.....	A42C 5/00	2/175.3
D138,824	S *	9/1944	Syzdek	.....	D2/887	
2,440,407	A *	4/1948	Kuenstner	.....	A42B 1/22	2/175.3
D149,521	S *	5/1948	Silbermann	.....	D2/887	
2,445,922	A *	7/1948	Ostolaza	.....	A42B 1/22	2/175.3
2,503,131	A *	4/1950	Rausch	.....	A42C 5/00	2/175.2
2,560,508	A *	7/1951	Eakland	.....	A42C 1/06	2/175.2
2,616,091	A *	11/1952	Luttge	.....	A42B 1/02	2/209.3
3,206,766	A *	9/1965	Smith	.....	A42C 5/04	2/209.7
D223,742	S *	6/1972	Johnson	.....	D2/887	
6,760,925	B1 *	7/2004	Maxwell	.....	A42B 3/285	2/171.3
D597,283	S *	8/2009	Timms	.....	D2/888	
D764,772	S *	8/2016	Zenoff	.....	D2/887	
D767,258	S *	9/2016	Nooner	.....	D2/894	
D800,390	S *	10/2017	Xiong	.....	D29/102	
2007/0016998	A1 *	1/2007	Reddington	.....	A42B 3/225	2/5

\* cited by examiner

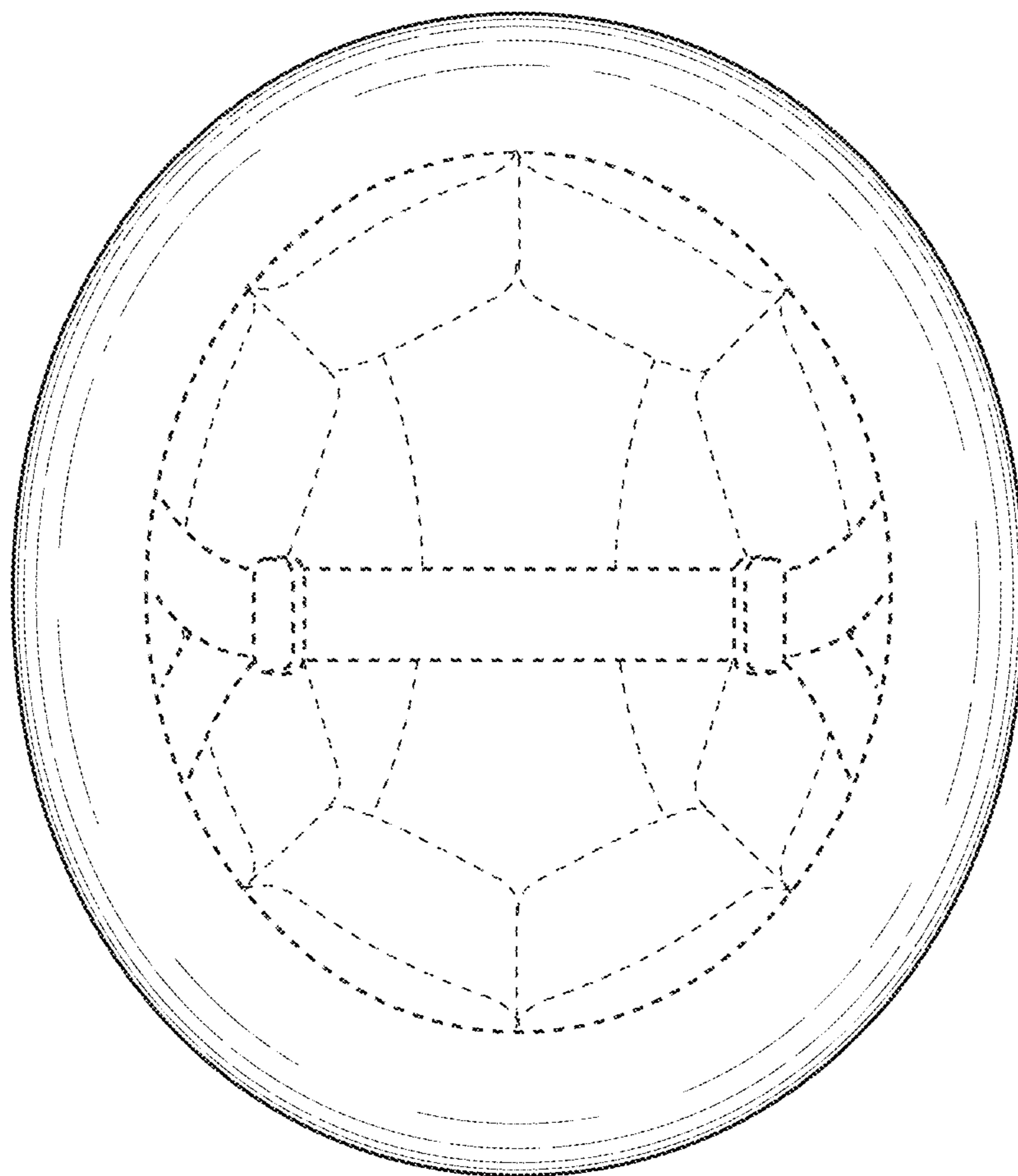


**Fig. 1**

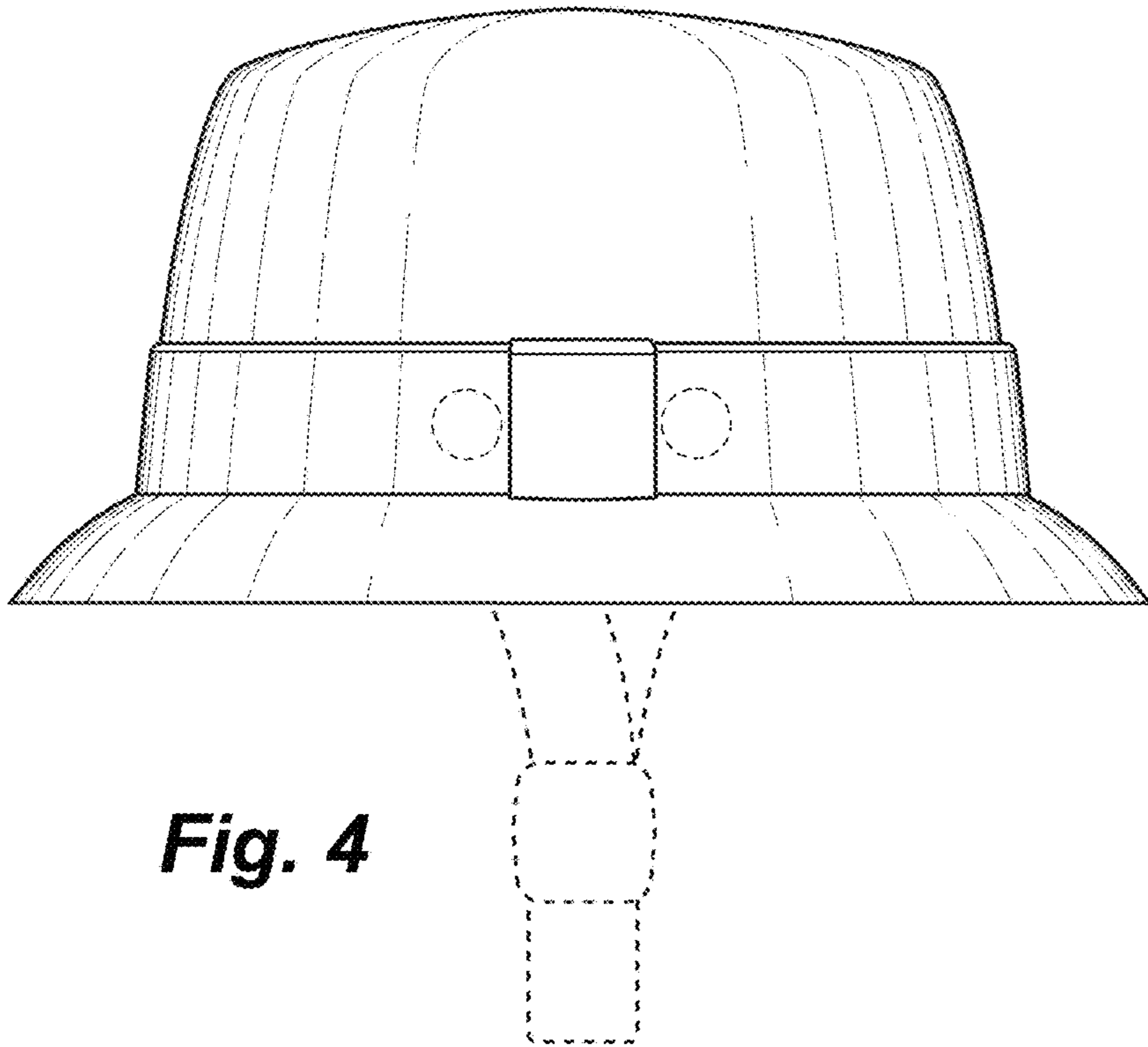


**Fig. 2**

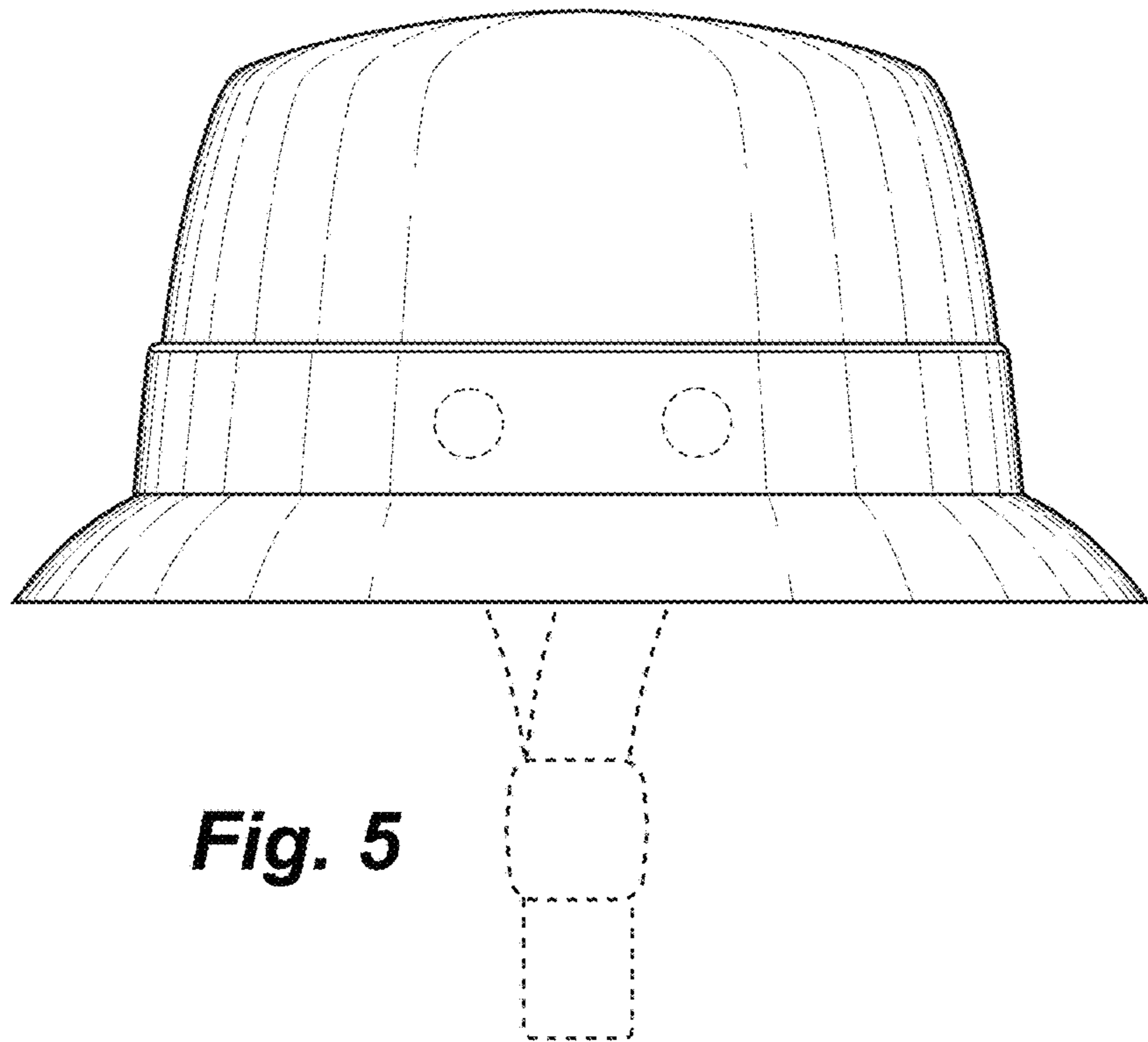




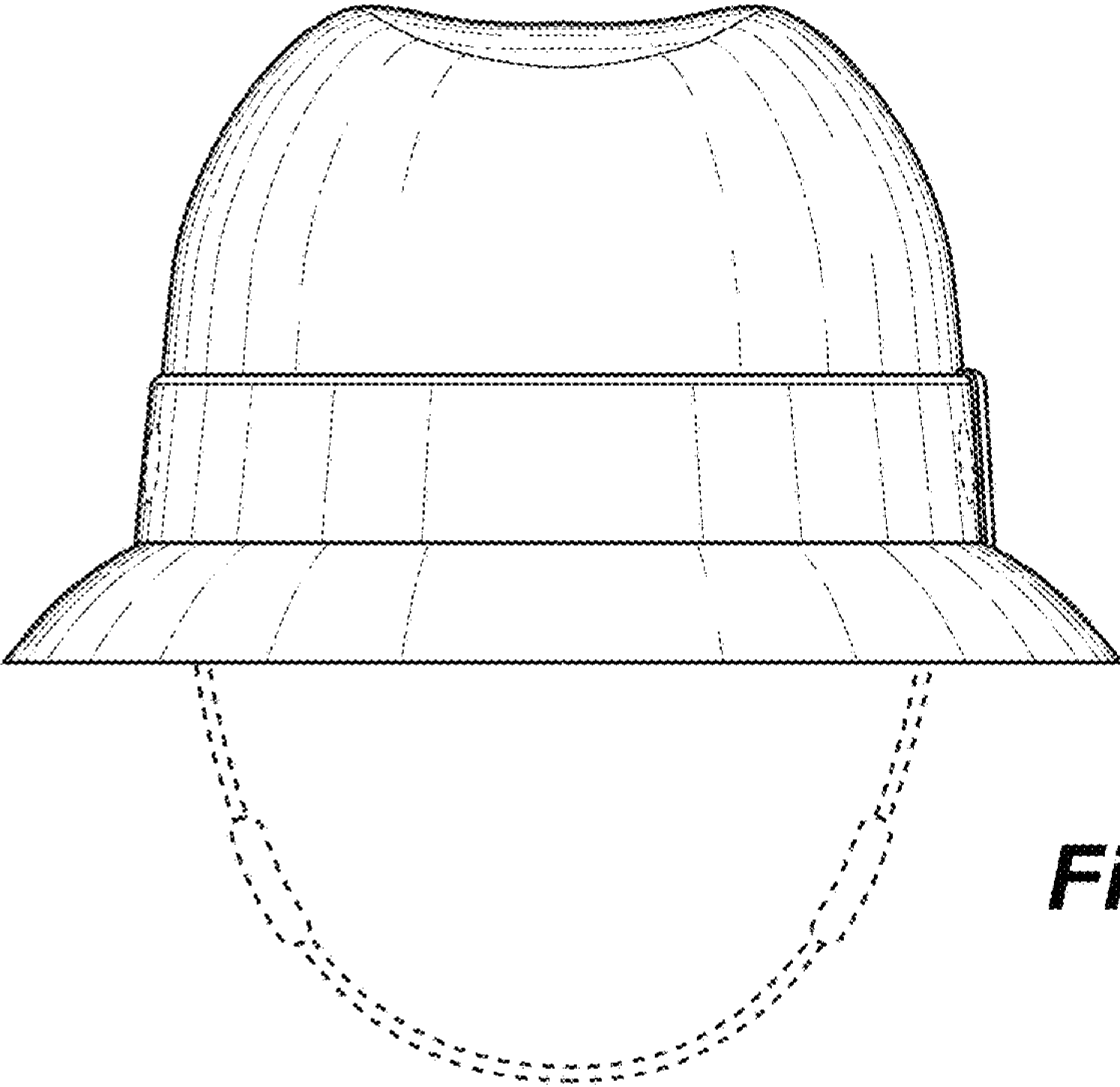
**Fig. 3**



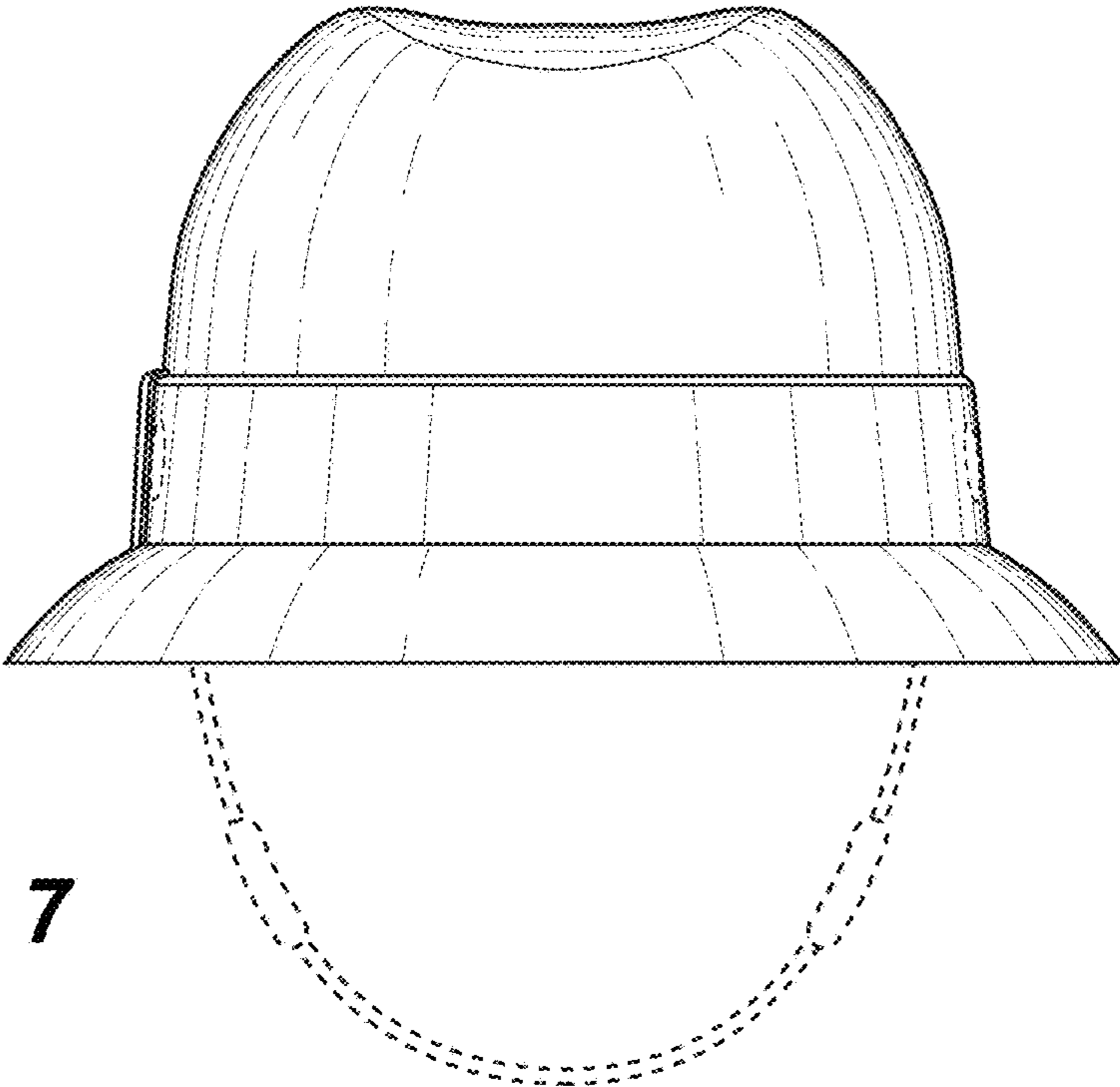
**Fig. 4**



**Fig. 5**



**Fig. 6**



**Fig. 7**