



US00D915677S

(12) **United States Design Patent** (10) **Patent No.:** **US D915,677 S**
Pan (45) **Date of Patent:** **** Apr. 6, 2021**

(54) **EYELASH EXTENSION BOX**
(71) Applicant: **Qingdao Lody Love Hair Products Co., Ltd, Qingdao (CN)**
(72) Inventor: **Linlin Pan, Qingdao (CN)**
(**) Term: **15 Years**
(21) Appl. No.: **29/749,491**
(22) Filed: **Sep. 4, 2020**
(51) **LOC (13) Cl.** **28-03**
(52) **U.S. Cl.**
USPC **D28/83; D28/93; D28/73; D9/432; D9/423**
(58) **Field of Classification Search**
USPC D28/92, 93, 73, 76-84; D9/414, 420, D9/422, 418, 423, 430, 432
CPC A45C 11/008; A45C 2200/10; A41G 5/02; A45D 44/00; A45D 40/00; A45D 40/22; A45D 40/24; A45D 33/20; A45D 33/22; A45D 33/24; A45D 33/26; A45D 33/28
See application file for complete search history.

(56) **References Cited**
U.S. PATENT DOCUMENTS
D314,448 S 2/1991 Bakic
5,163,457 A * 11/1992 Lombardi, Jr. A45D 40/18 132/294
D640,834 S * 6/2011 Chen A45D 33/20 D28/83
8,424,542 B1 * 4/2013 Han A41G 5/02 132/216
D779,736 S 2/2017 Hansen
D823,544 S * 7/2018 Nguyen D28/83
D829,381 S * 9/2018 Kim B65D 43/22 D28/93

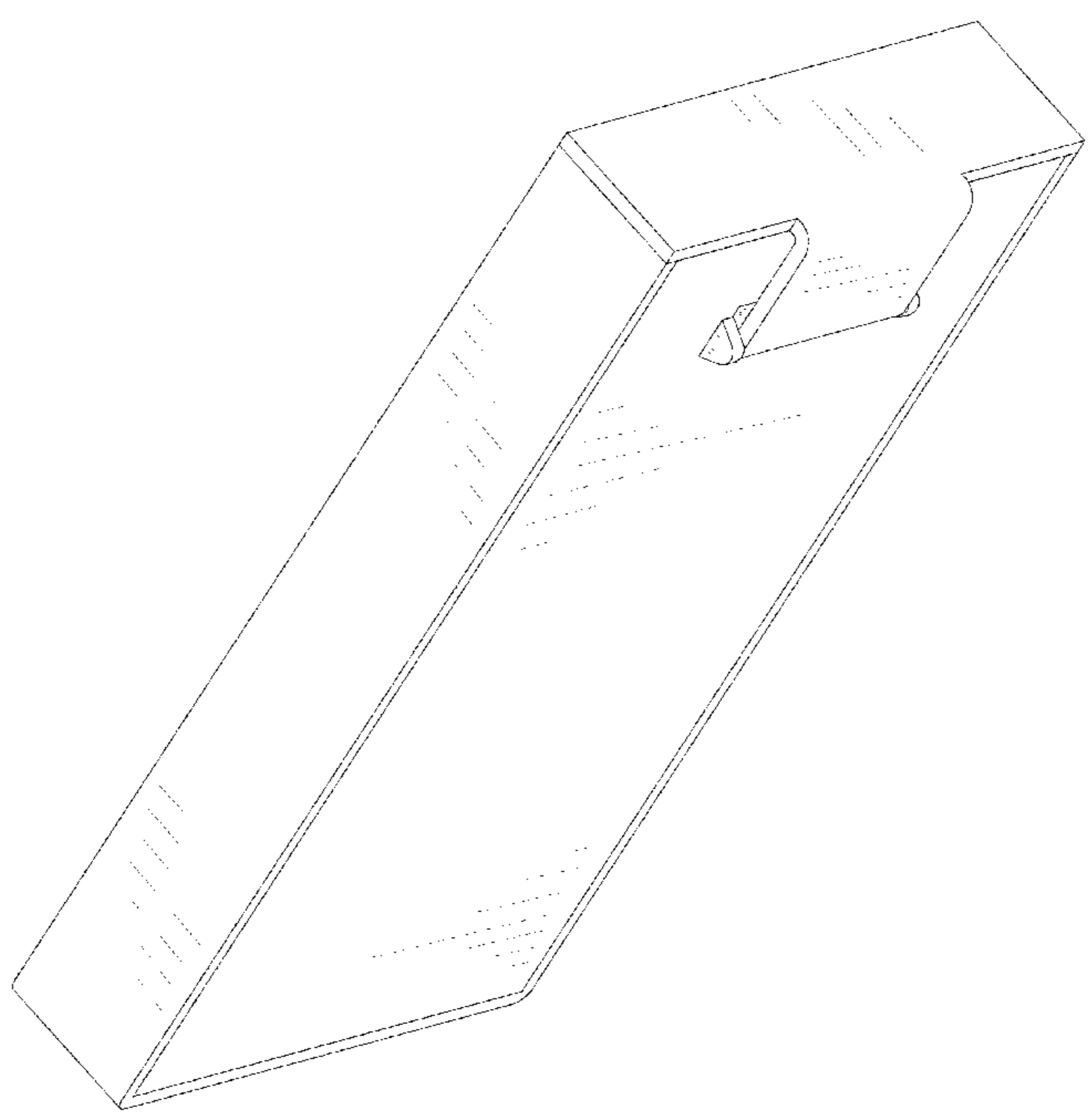
D839,595 S * 2/2019 Asher B65D 73/00 D3/295
D855,452 S * 8/2019 Palacios D9/418
D877,416 S * 3/2020 Lotti D28/73
10,588,389 B1 * 3/2020 Ruiz A45D 33/20
D882,179 S * 4/2020 Huang A41G 5/02 D28/82
D907,296 S * 1/2021 Nguyen A41G 5/02 D28/83
2014/0110304 A1 * 4/2014 Wu B65D 25/54 206/776
2015/0351476 A1 * 12/2015 Lin B65D 73/00 206/490
2016/0219959 A1 * 8/2016 Chipman A41G 5/02
2018/0065779 A1 * 3/2018 Chiba B65D 43/22
2020/0093211 A1 * 3/2020 Lee A41G 5/02
2020/0359759 A1 * 11/2020 Ruiz A45C 11/008
2021/0000241 A1 * 1/2021 Shpur A41G 5/02

* cited by examiner
Primary Examiner — Jennifer Rivard
(74) *Attorney, Agent, or Firm* — W&K IP

(57) **CLAIM**
The ornamental design for an eyelash extension box, as shown and described.

DESCRIPTION
FIG. 1 is a perspective view of an eyelash extension box showing my new design;
FIG. 2 is a perspective view of an open box situation thereof;
FIG. 3 is an exploded view thereof;
FIG. 4 is a front view thereof;
FIG. 5 is a rear view thereof;
FIG. 6 is a left side view thereof;
FIG. 7 is a right side view thereof;
FIG. 8 is a top plan view thereof; and,
FIG. 9 is a bottom plan view thereof.

1 Claim, 9 Drawing Sheets



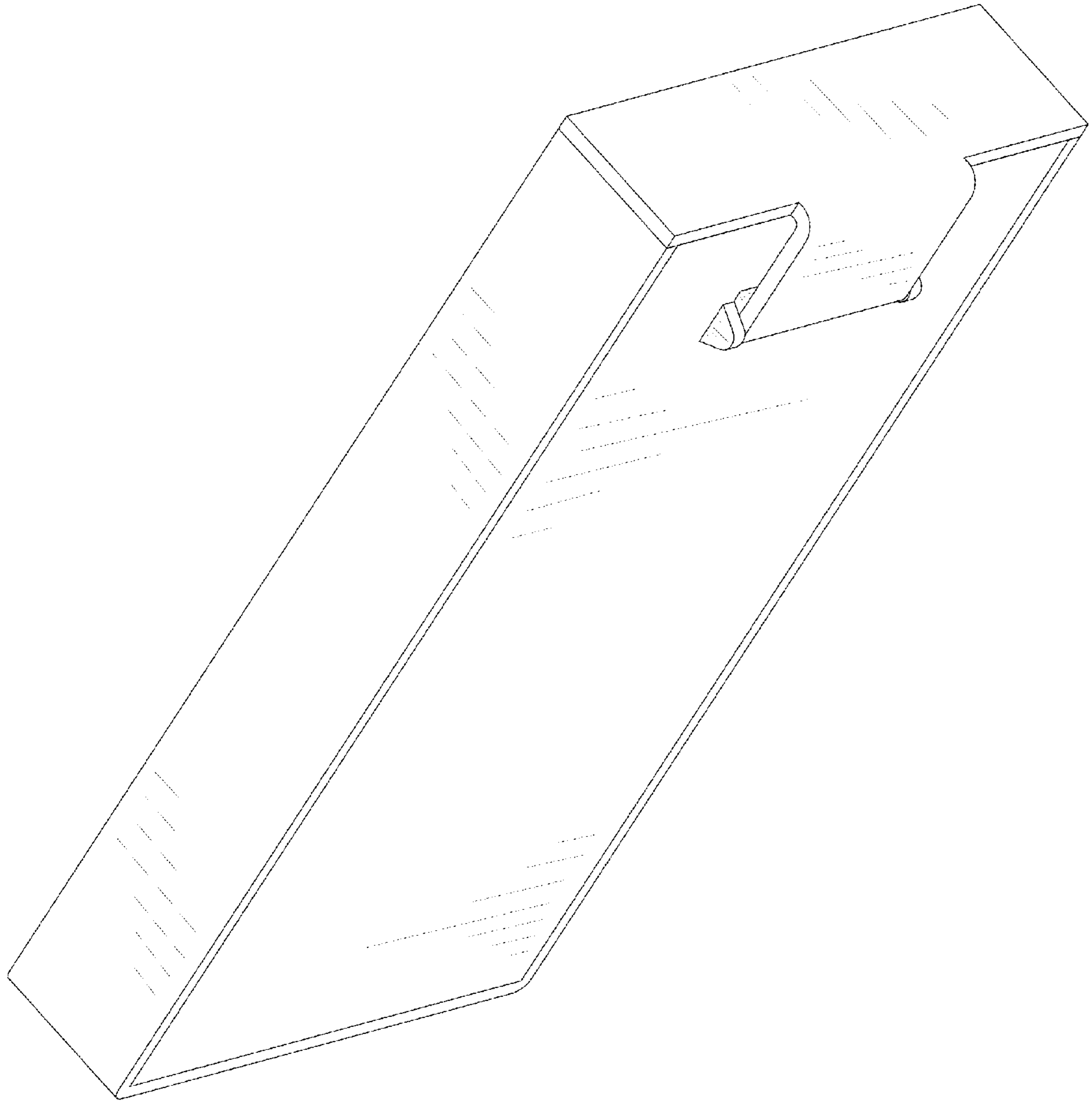


FIG.1

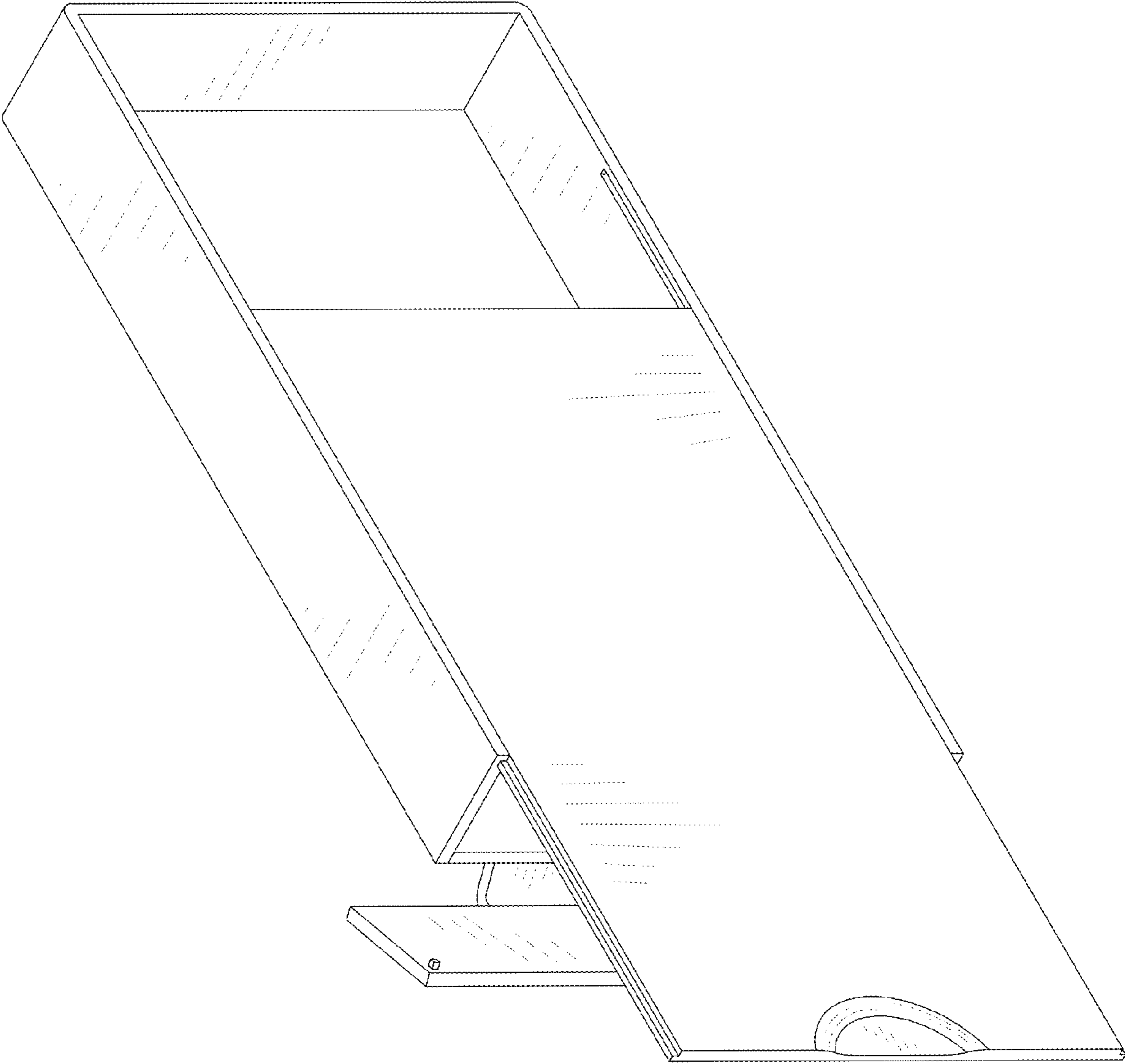


FIG.2

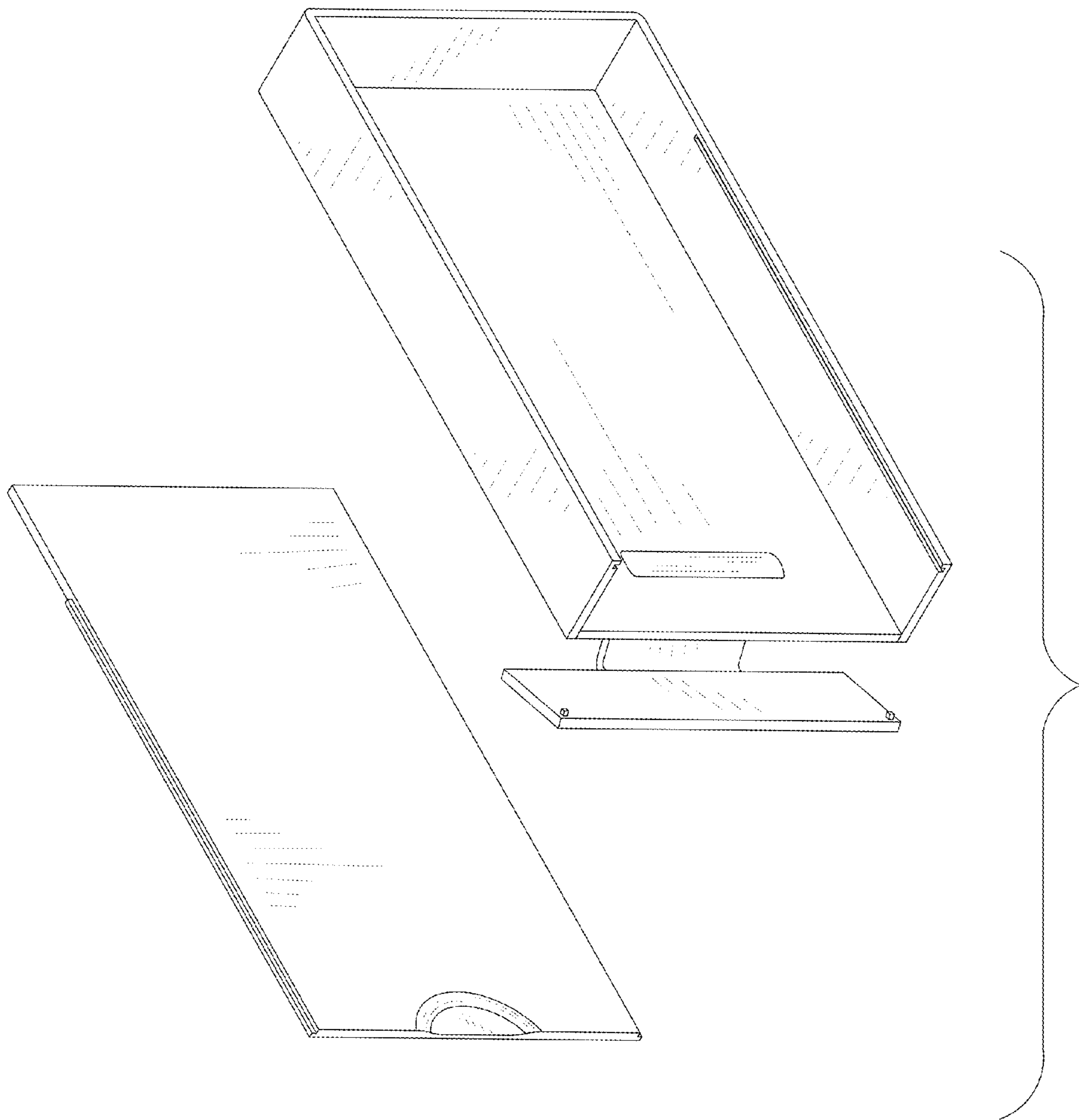


FIG.3

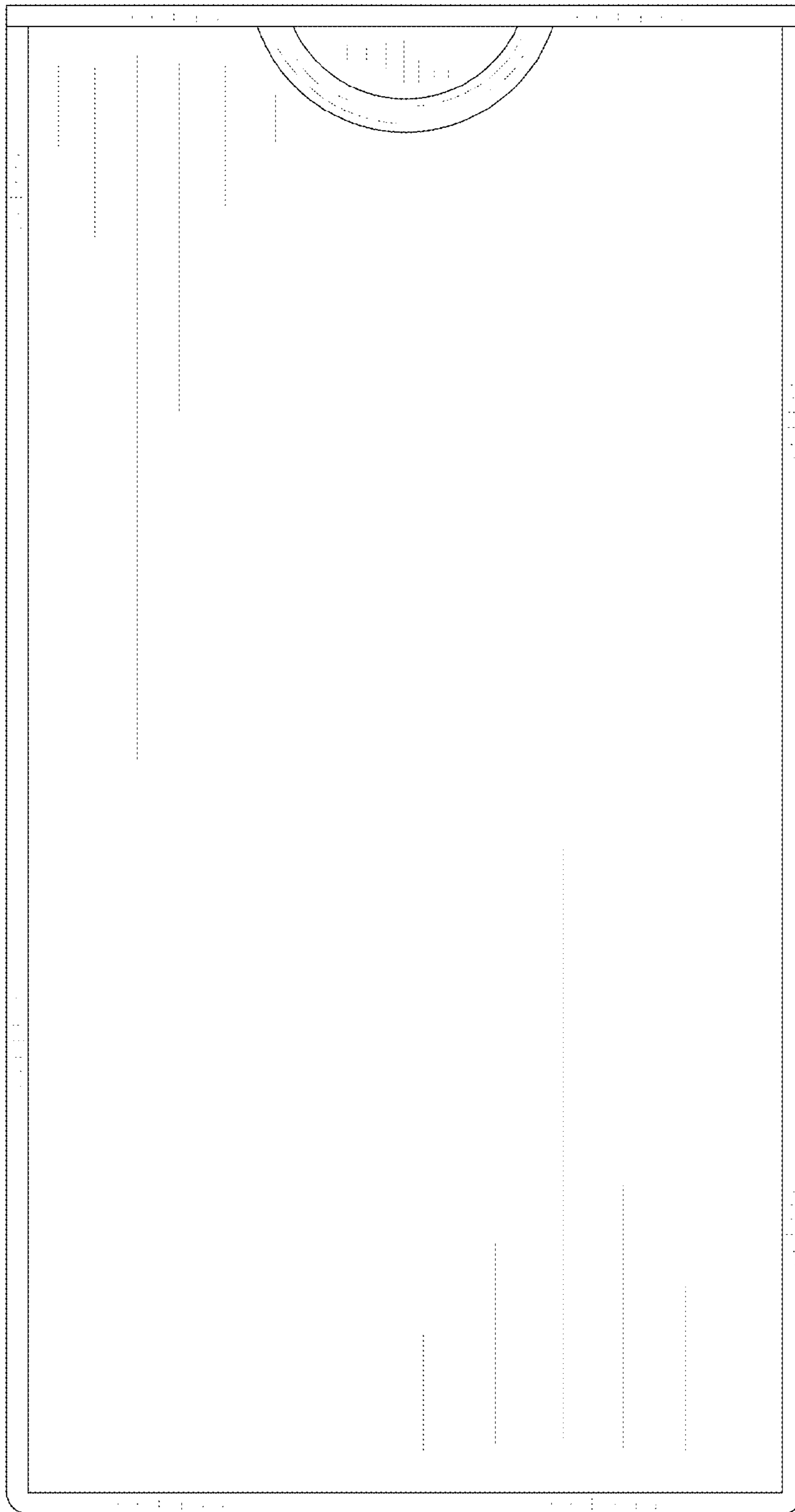


FIG. 4

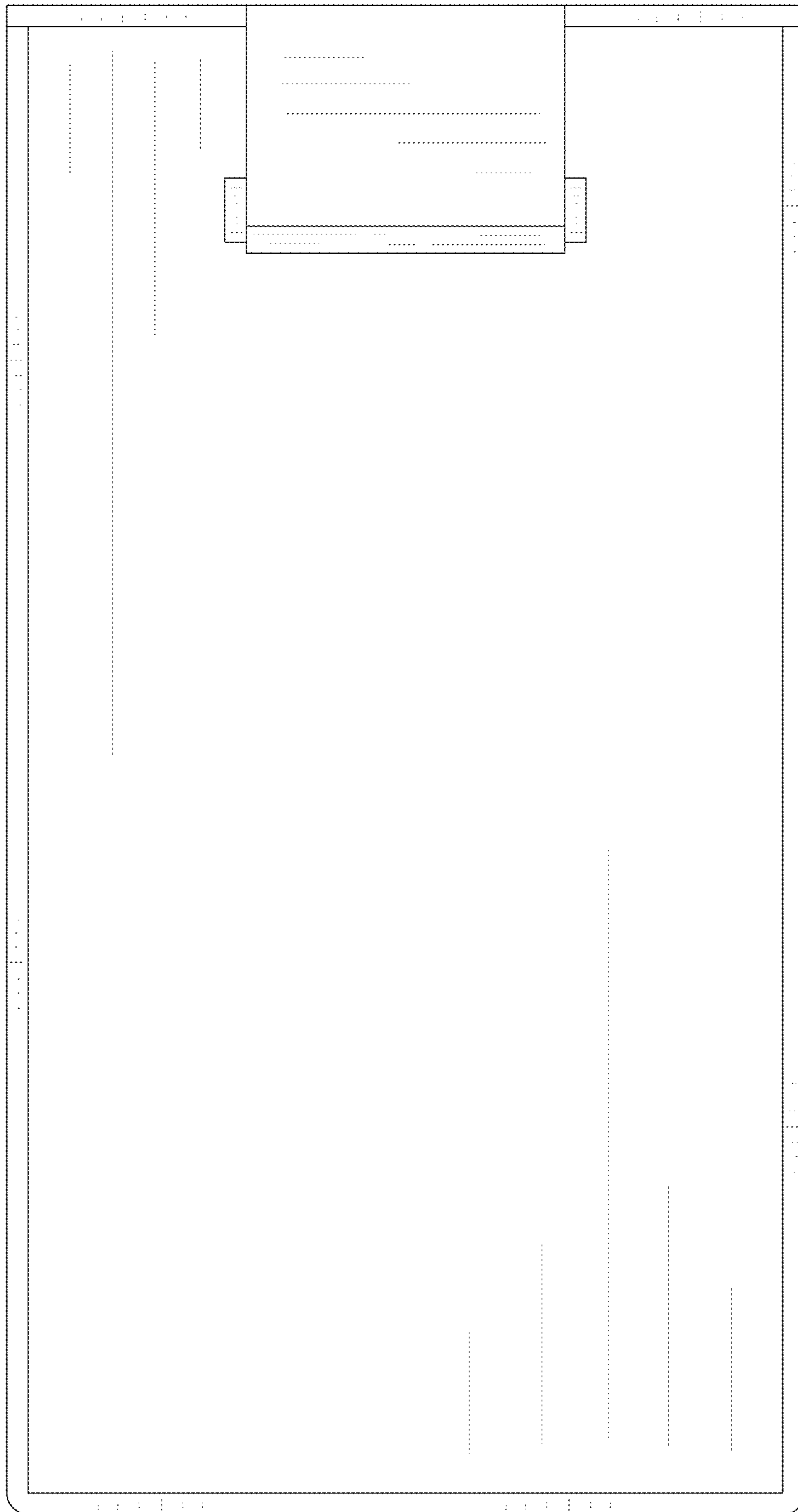


FIG. 5

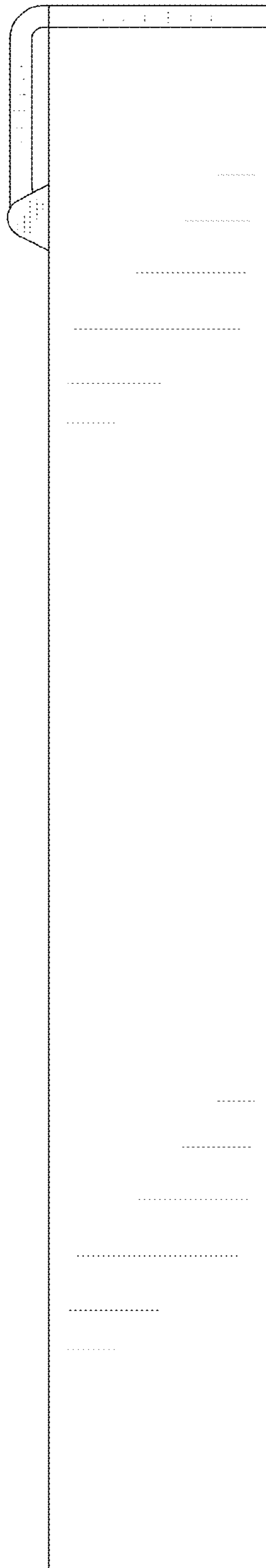


FIG. 6

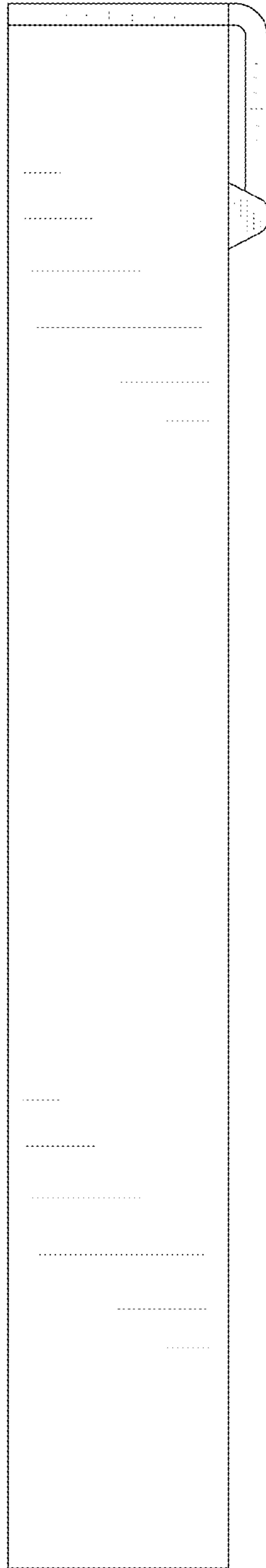


FIG. 7

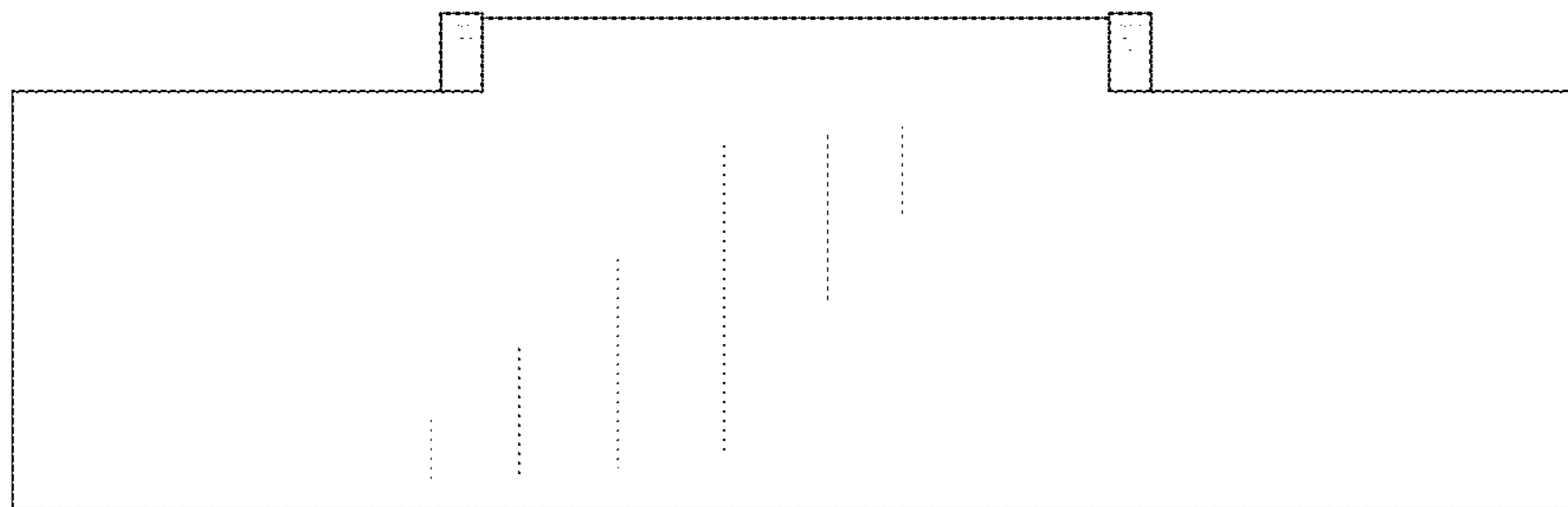


FIG.8

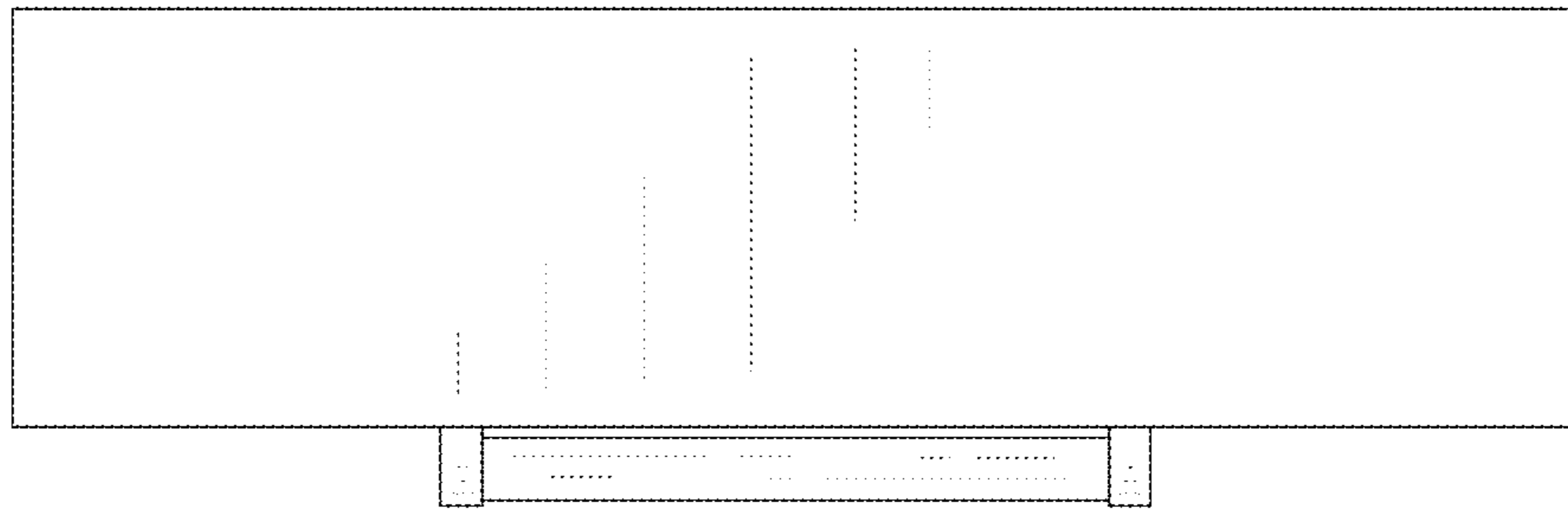


FIG. 9