



US00D915676S

(12) **United States Design Patent**  
**Kamboj**

(10) **Patent No.:** **US D915,676 S**

(45) **Date of Patent:** **\*\* Apr. 6, 2021**

(54) **COSMETIC HOLDER**

(71) Applicant: **Ejaz Kamboj**, Las Vegas, NV (US)

(72) Inventor: **Ejaz Kamboj**, Las Vegas, NV (US)

(\*\*) Term: **15 Years**

(21) Appl. No.: **29/650,100**

(22) Filed: **Jun. 4, 2018**

(51) **LOC (13) Cl.** ..... **28-03**

(52) **U.S. Cl.**  
USPC ..... **D28/73**

(58) **Field of Classification Search**  
USPC ..... D28/9, 13, 18-19, 35, 73, 76-84, 99;  
D9/414, 424, 426, 428, 430; D7/586,  
D7/587, 600.1-600.4, 647, 667, 704;  
D6/512, 513, 518, 524; D3/304, 318,  
D3/319  
CPC .. A47B 81/00; A47G 29/08; A45D 2033/001;  
A45D 33/003; A45D 33/006-008; A45D  
33/22; A45D 33/24; A45D 33/26; A45D  
33/28; A45D 34/00; A45D 34/06  
See application file for complete search history.

D214,224 S 5/1969 Madi  
D216,494 S \* 1/1970 Levin ..... D28/99  
D241,318 S 9/1976 o'Brien et al.  
(Continued)

**FOREIGN PATENT DOCUMENTS**

EM 003995653-0001 5/2017  
EP 0663159 A1 7/1995  
(Continued)

**OTHER PUBLICATIONS**

International Search Report issued for PCT/US2017/013976, dated  
May 2, 2017.  
(Continued)

*Primary Examiner* — Jennifer Rivard  
*Assistant Examiner* — Alison M Ofstun

(57) **CLAIM**

The ornamental design for a cosmetic holder, as shown and  
described.

**DESCRIPTION**

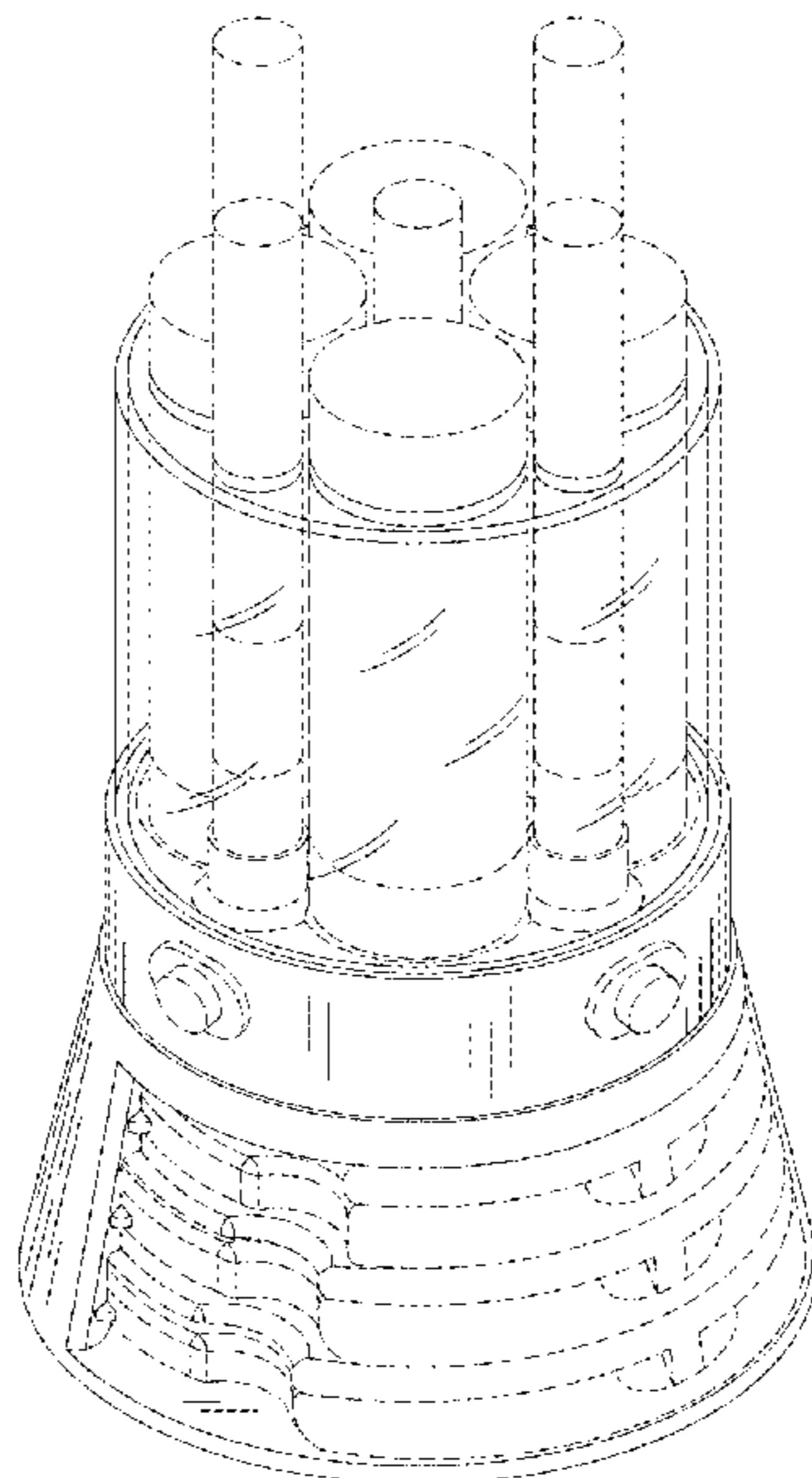
FIG. 1 is a front perspective view of a cosmetic holder  
showing my new design.  
FIG. 2 is a rear perspective view of the cosmetic holder of  
FIG. 1.  
FIG. 3 is a front view of the cosmetic holder of FIG. 1.  
FIG. 4 is a rear view of the cosmetic holder of FIG. 1.  
FIG. 5 is a right-side view of the cosmetic holder of FIG. 1.  
FIG. 6 is a left-side view of the cosmetic holder of FIG. 1.  
FIG. 7 is a top view of the cosmetic holder of FIG. 1; and,  
FIG. 8 is a bottom view of the cosmetic holder of FIG. 1.  
In the drawings, the broken lines represent portions of the  
article which form no part of the claimed design.

**1 Claim, 8 Drawing Sheets**

(56) **References Cited**

**U.S. PATENT DOCUMENTS**

432,305 A 7/1890 Foley  
1,623,509 A 4/1927 Vivadou  
D91,742 S 3/1934 Tarr  
D100,521 S \* 7/1936 Titus ..... D9/739  
2,142,312 A 1/1939 Heinz  
2,217,644 A \* 10/1940 Conner ..... B65D 25/04  
220/23.4  
D127,331 S 5/1941 Rosenfeld  
D128,936 S 8/1941 Foley  
2,892,540 A 6/1959 Tupper  
3,001,531 A 9/1959 Gazdik  
3,187,757 A 6/1965 Jones, Jr. et al.  
3,320,962 A 5/1967 Moriber et al.



(56)

References Cited

U.S. PATENT DOCUMENTS

D251,104 S \* 2/1979 Sanchez ..... D7/513  
 4,194,619 A 3/1980 Schley  
 D281,835 S 12/1985 Ali  
 D292,887 S 11/1987 Schouten  
 5,065,778 A 11/1991 Terrell  
 5,109,877 A 5/1992 Takeda  
 D342,586 S \* 12/1993 Lobo ..... D28/86  
 D356,507 S \* 3/1995 Lang ..... D28/90  
 D364,248 S 11/1995 Su  
 D366,730 S 1/1996 Chen  
 5,682,653 A 11/1997 Berglof  
 D393,104 S \* 3/1998 Wolff ..... D28/73  
 D397,828 S 9/1998 Kip  
 5,901,859 A 5/1999 Can  
 6,041,935 A 3/2000 Yang  
 6,141,838 A 11/2000 Cooper  
 D437,711 S \* 2/2001 Berg ..... D28/73  
 D454,982 S 3/2002 Renfrew  
 6,540,422 B2 4/2003 Torii  
 6,655,551 B2 12/2003 Manne  
 6,701,580 B1 3/2004 Bandyopadhyay  
 6,895,628 B1 5/2005 Anderson  
 D526,855 S \* 8/2006 Wolff ..... D7/612  
 D529,661 S \* 10/2006 Schmidt ..... D28/73  
 D539,135 S 3/2007 Blasko  
 7,621,403 B2 11/2009 Althoff  
 D610,310 S 2/2010 Helenowski  
 D628,077 S 11/2010 Lee  
 D638,475 S \* 5/2011 Hung ..... D19/85  
 7,938,268 B1 5/2011 Kuo  
 7,988,005 B2 8/2011 Wagner  
 8,231,294 B2 7/2012 Grossnass et al.  
 8,381,932 B2 2/2013 Wagner  
 8,388,252 B2 3/2013 Thiebaut  
 D679,956 S 4/2013 Zemel  
 8,579,529 B2 11/2013 Pechko et al.  
 8,616,390 B2 12/2013 Kountotsis  
 D701,000 S 3/2014 DiGirolamo  
 8,662,776 B2 3/2014 Porter et al.  
 D703,052 S 4/2014 Park  
 D703,053 S 4/2014 Park  
 D708,434 S 7/2014 Deeb  
 D710,543 S 8/2014 Dittmer  
 D735,945 S 8/2015 Reishus  
 D761,022 S 7/2016 Wang  
 D765,389 S 9/2016 Martin

D774,368 S 12/2016 Gresham  
 D777,575 S 1/2017 Harada  
 D794,944 S 8/2017 Martin  
 D806,392 S 1/2018 Glick  
 D809,379 S 2/2018 Paige  
 D810,581 S 2/2018 Shalev  
 D825,983 S \* 8/2018 Kraemer ..... D7/373  
 10,040,082 B1 8/2018 Liu  
 10,172,433 B2 1/2019 Kikuchi et al.  
 10,231,529 B2 3/2019 Anderson  
 D845,786 S 4/2019 Campbell et al.  
 10,285,484 B2 5/2019 Fish  
 10,285,488 B2 5/2019 Villarreal et al.  
 10,306,967 B2 6/2019 Villarreal et al.  
 D856,587 S \* 8/2019 Kamboj ..... D28/73  
 2003/0168377 A1 9/2003 Gorvett  
 2004/0045840 A1 3/2004 Gagnon  
 2006/0076259 A1 4/2006 Browder  
 2006/0108251 A1 5/2006 Sherrer  
 2007/0280772 A1 12/2007 Mika  
 2009/0232579 A1 9/2009 Obereisenbuchner et al.  
 2010/0025280 A1 2/2010 Palmer  
 2014/0096801 A1 4/2014 McCormick  
 2014/0238434 A1 8/2014 De Beaute  
 2014/0261532 A1 9/2014 Saman  
 2014/0299151 A1 10/2014 Tondalah  
 2015/0045702 A1 2/2015 Lin  
 2015/0305475 A1 10/2015 Girod  
 2016/0135567 A1 5/2016 Kamboj  
 2017/0265623 A1 6/2017 Kamboj  
 2018/0042372 A1 2/2018 Lim  
 2019/0038003 A1 2/2019 Castex  
 2019/0053603 A1 2/2019 Kamitani  
 2019/0059549 A1 2/2019 Byun  
 2019/0183228 A1 6/2019 Kwon et al.

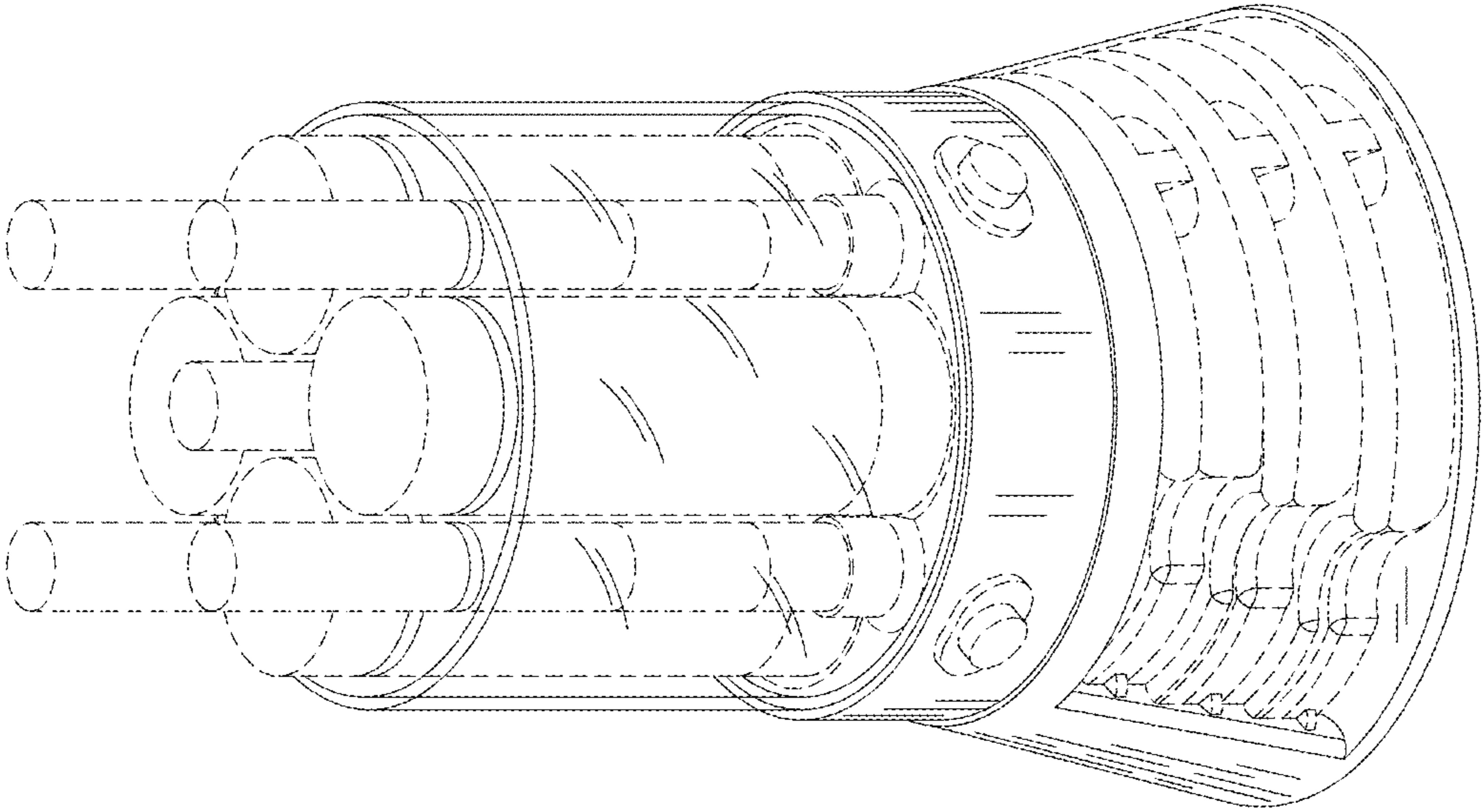
FOREIGN PATENT DOCUMENTS

JP 2987770 B2 12/1999  
 JP 2004024376 A 1/2004  
 KR 300890443-0000 1/2017  
 WO WO 2011/095763 A1 8/2011

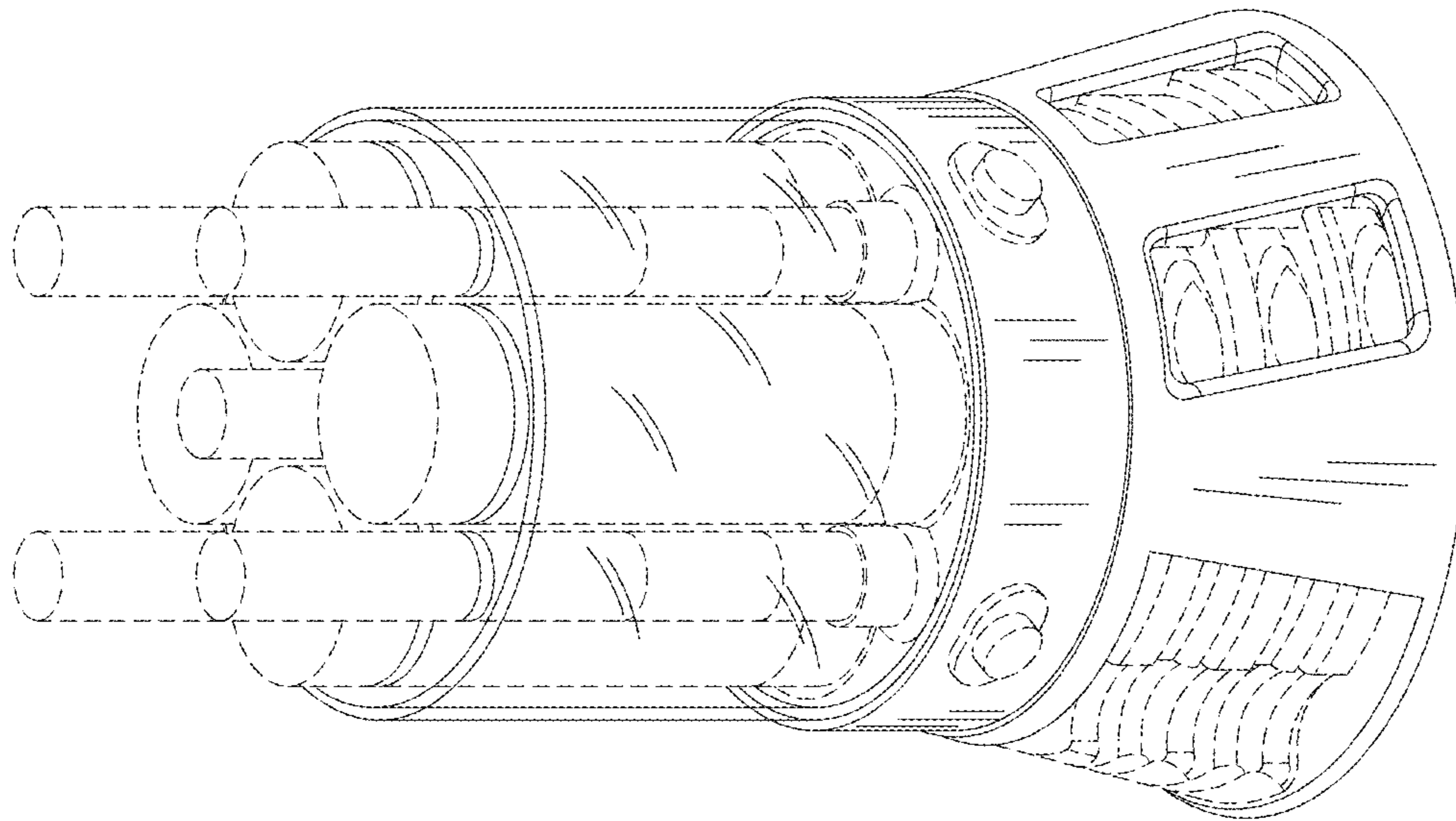
OTHER PUBLICATIONS

International Search Report issued for PCT/US2018/035904, dated Sep. 17, 2018.

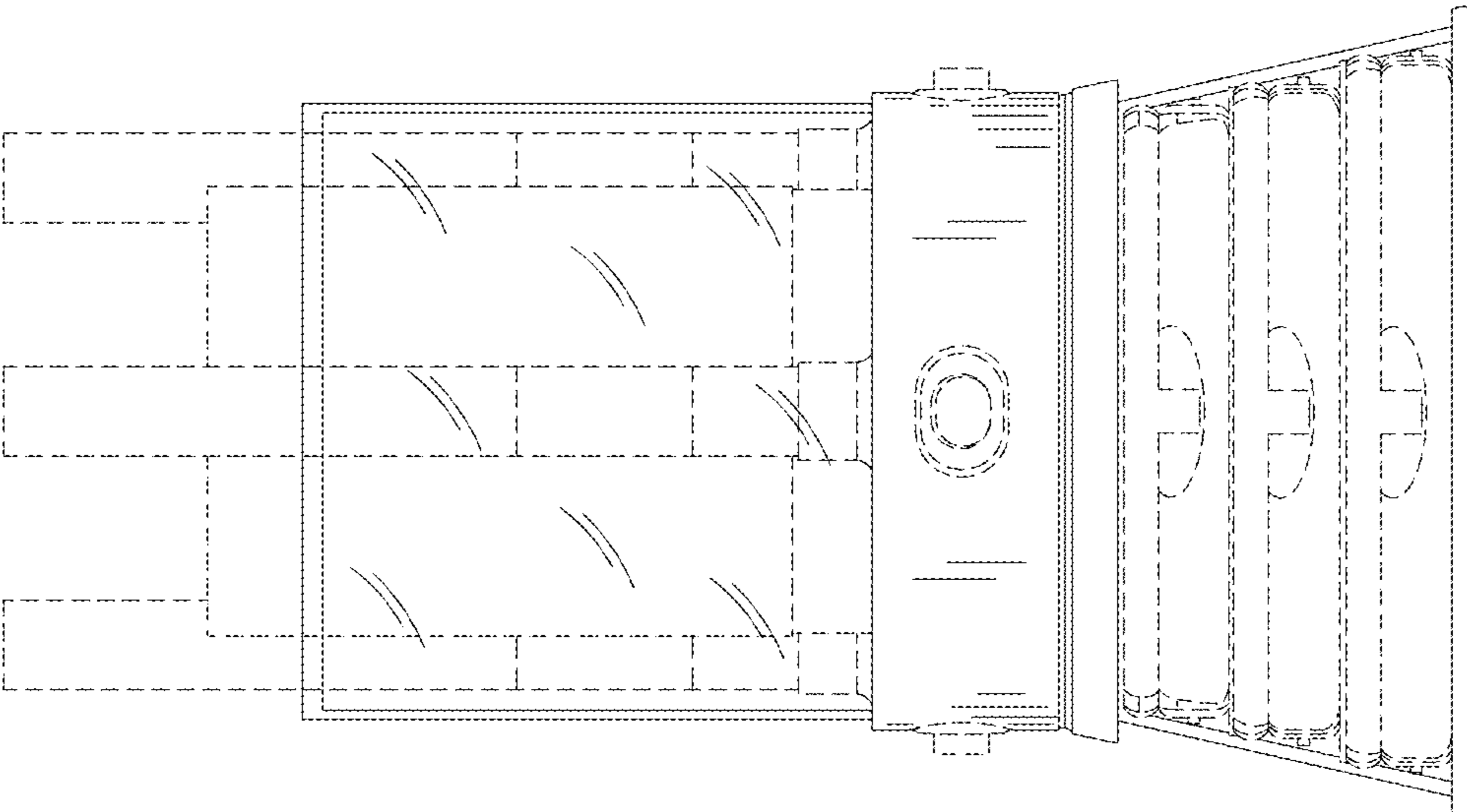
\* cited by examiner



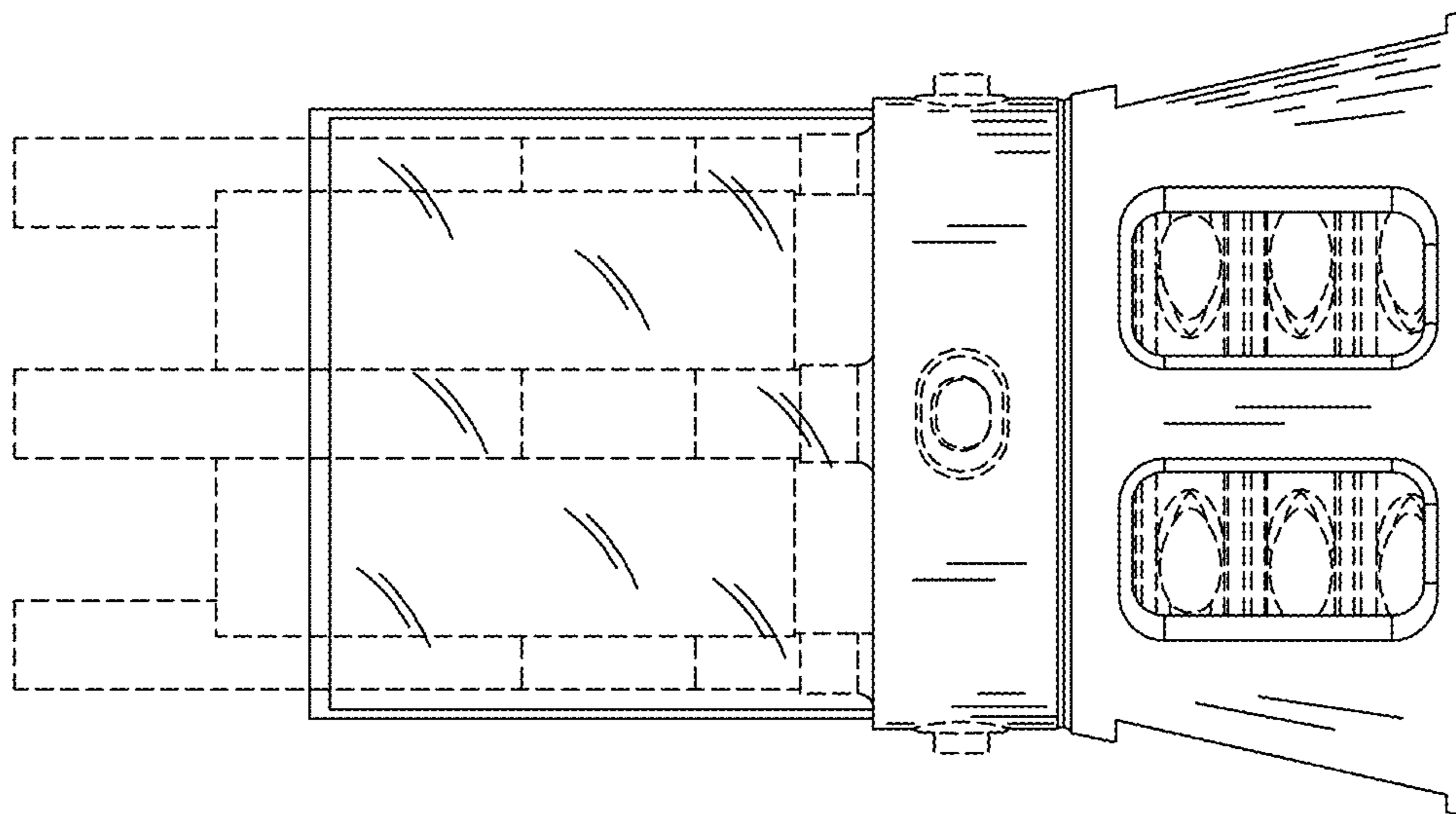
**FIG. 1**



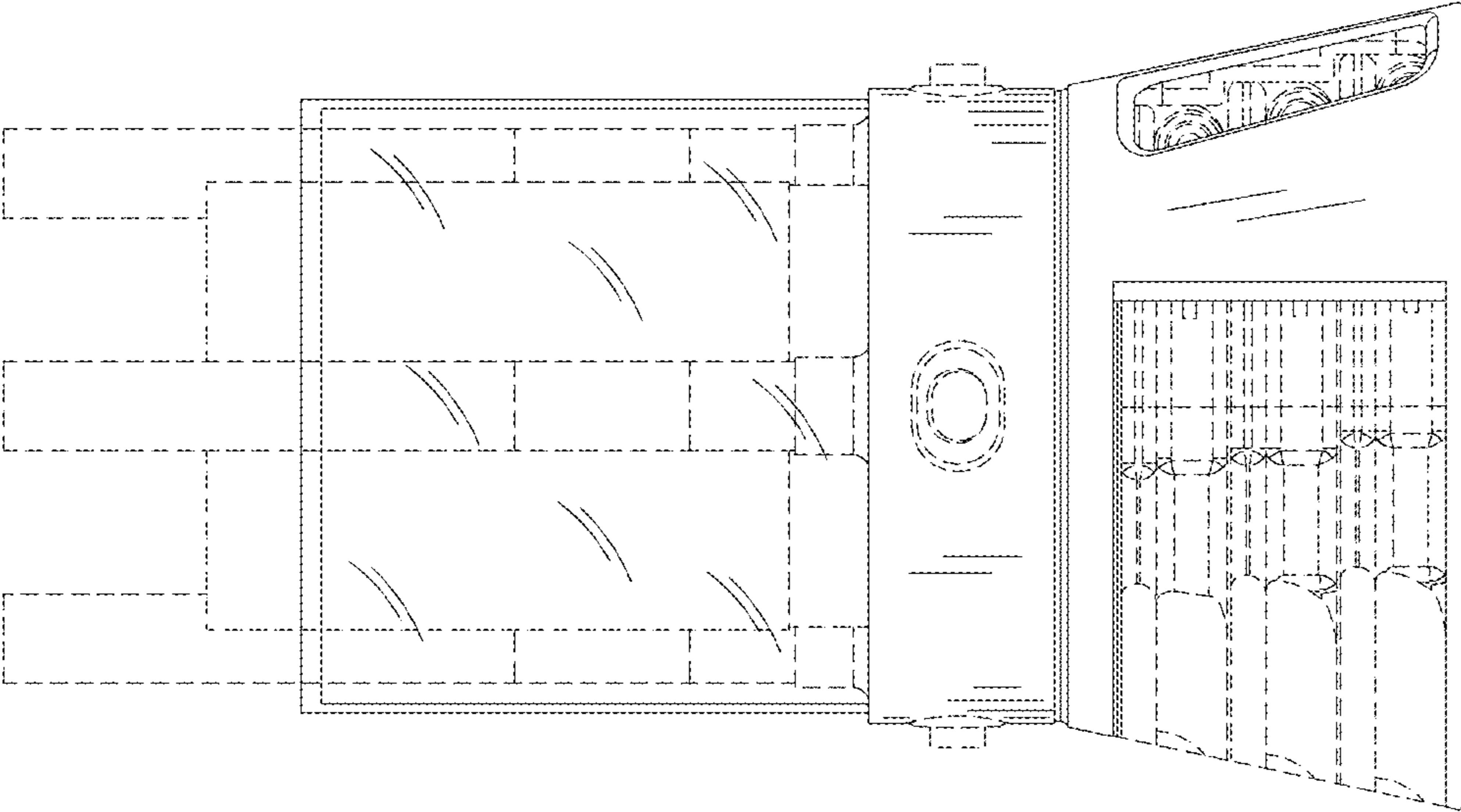
**FIG. 2**



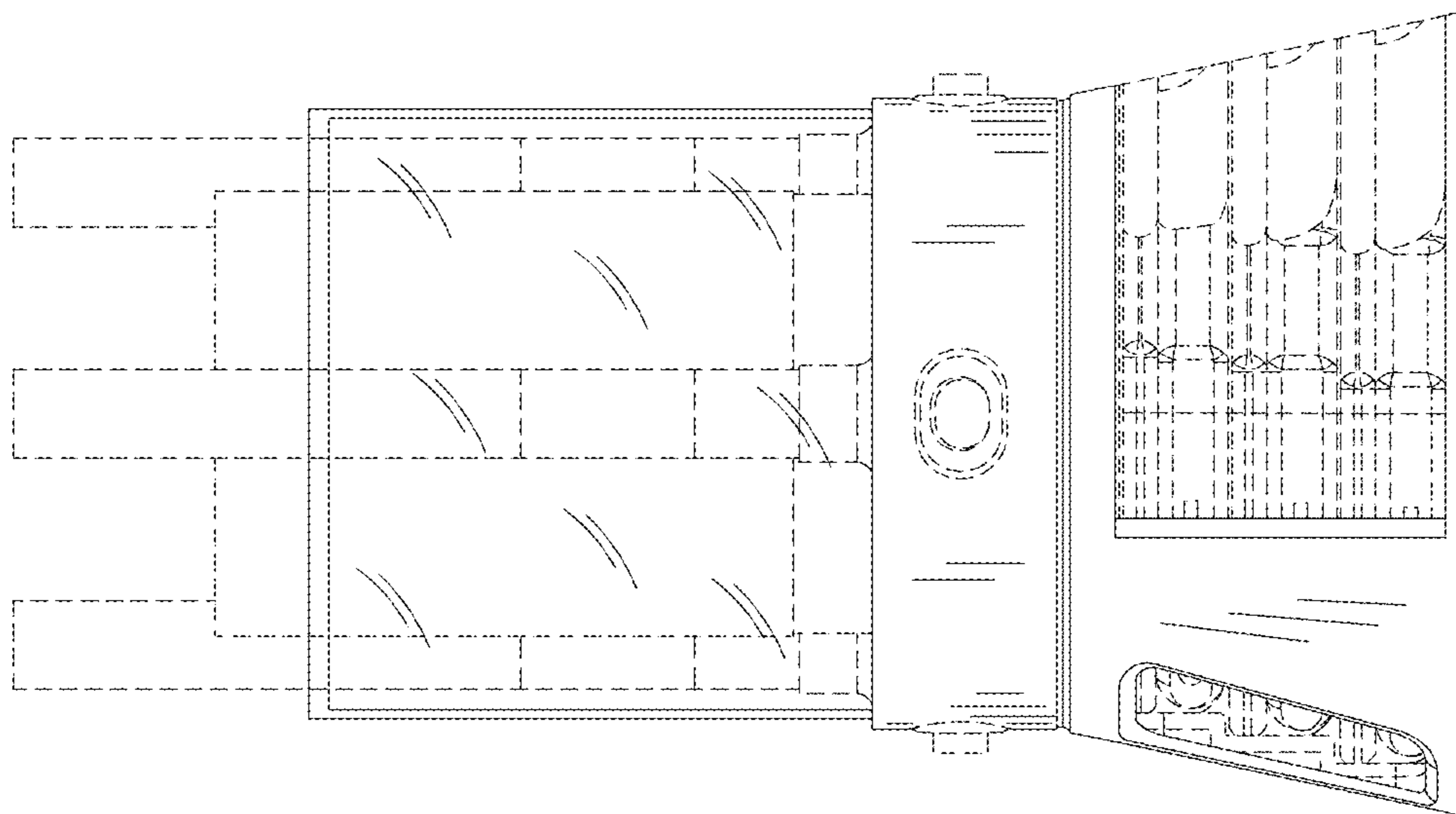
**FIG. 3**



**FIG. 4**

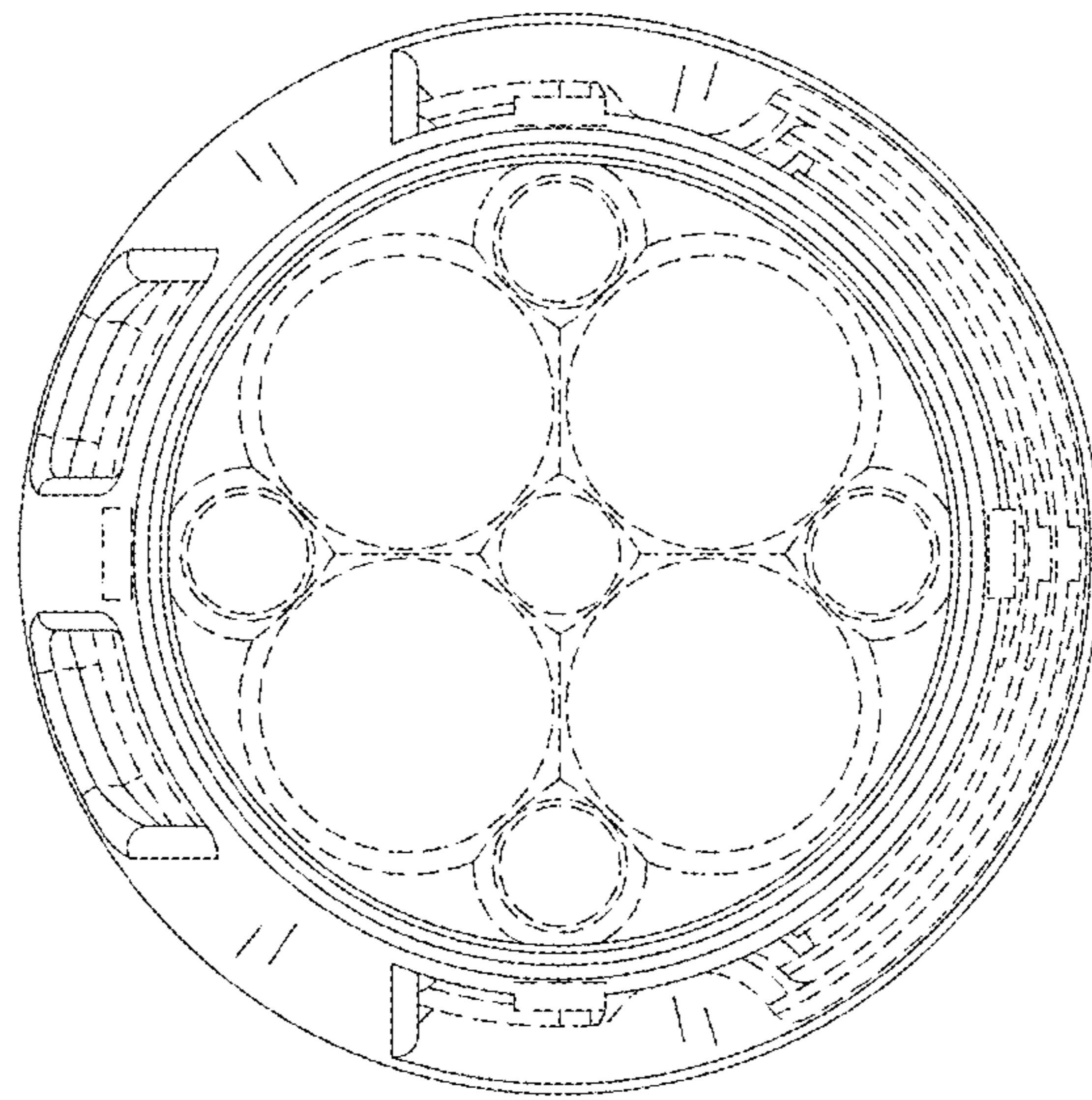


**FIG. 5**

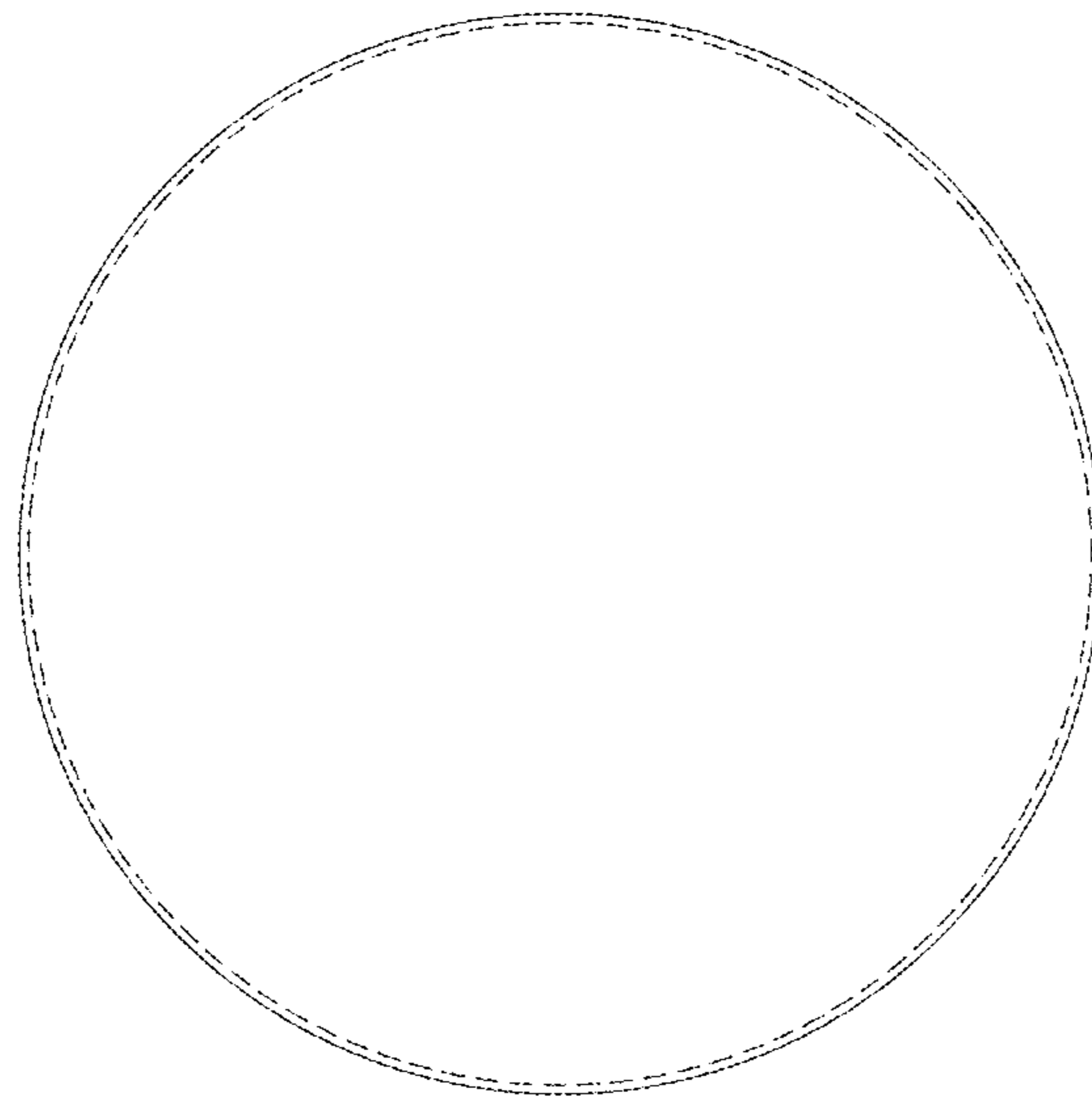


**FIG. 6**





**FIG. 7**



**FIG. 8**