



US00D915675S

(12) **United States Design Patent** (10) **Patent No.:** **US D915,675 S**  
**Li** (45) **Date of Patent:** **\*\* Apr. 6, 2021**

(54) **NAIL DRILL**  
(71) Applicant: **Zhenggang Li**, Shenzhen (CN)  
(72) Inventor: **Zhenggang Li**, Shenzhen (CN)  
(73) Assignee: **Shenzhen City Di Meng Yuan Technology CO., LTD**, Shenzhen (CN)  
(\*\*) Term: **15 Years**

D637,287 S \* 5/2011 Mudd ..... D24/133  
D688,109 S \* 8/2013 Vanderbeek ..... D8/61  
D857,993 S \* 8/2019 Hsieh ..... D28/58  
D858,883 S \* 9/2019 Wu ..... D28/58  
D861,450 S \* 10/2019 Mancini ..... D8/61  
D880,068 S \* 3/2020 Wu ..... D28/58  
D890,431 S \* 7/2020 Hsieh ..... D28/58  
2008/0249460 A1 \* 10/2008 Skinner ..... A61B 17/54  
604/22  
2013/0092182 A1 \* 4/2013 Stockbauer ..... A61B 17/54  
132/75.8

(21) Appl. No.: **29/699,390**  
(22) Filed: **Jul. 25, 2019**  
(51) **LOC (13) Cl.** ..... **28-03**  
(52) **U.S. Cl.**  
USPC ..... **D28/58; D15/132**  
(58) **Field of Classification Search**  
USPC ..... D14/496, 137, 155, 159, 225; D15/122,  
D15/124, 131, 132; D8/61, 62;  
D28/57-59, 61, 62; D10/49, 56, 57;  
D24/152, 146, 144, 170  
CPC . A61B 17/54; A61B 17/1662; A61B 17/1686;  
A61M 37/00; A61N 1/303; A45D 29/00;  
A45D 29/05; A45D 29/06; A45D 29/14  
See application file for complete search history.

**OTHER PUBLICATIONS**

Strong, 210/207B Electric Nail Drill Marathon Escort3 Micro Control Box Champion Handle Set Nail Pedicure Nail File Nail Tool, (site visited Aug. 11, 2020), Aliexpress.com, URL:<<https://www.aliexpress.com/i/4000233918144.html>> (Year: 2020).\*

\* cited by examiner

*Primary Examiner* — Sheryl Lane  
*Assistant Examiner* — Mark T. Philipps

(57) **CLAIM**

The ornamental design for a nail drill, as shown and described.

**DESCRIPTION**

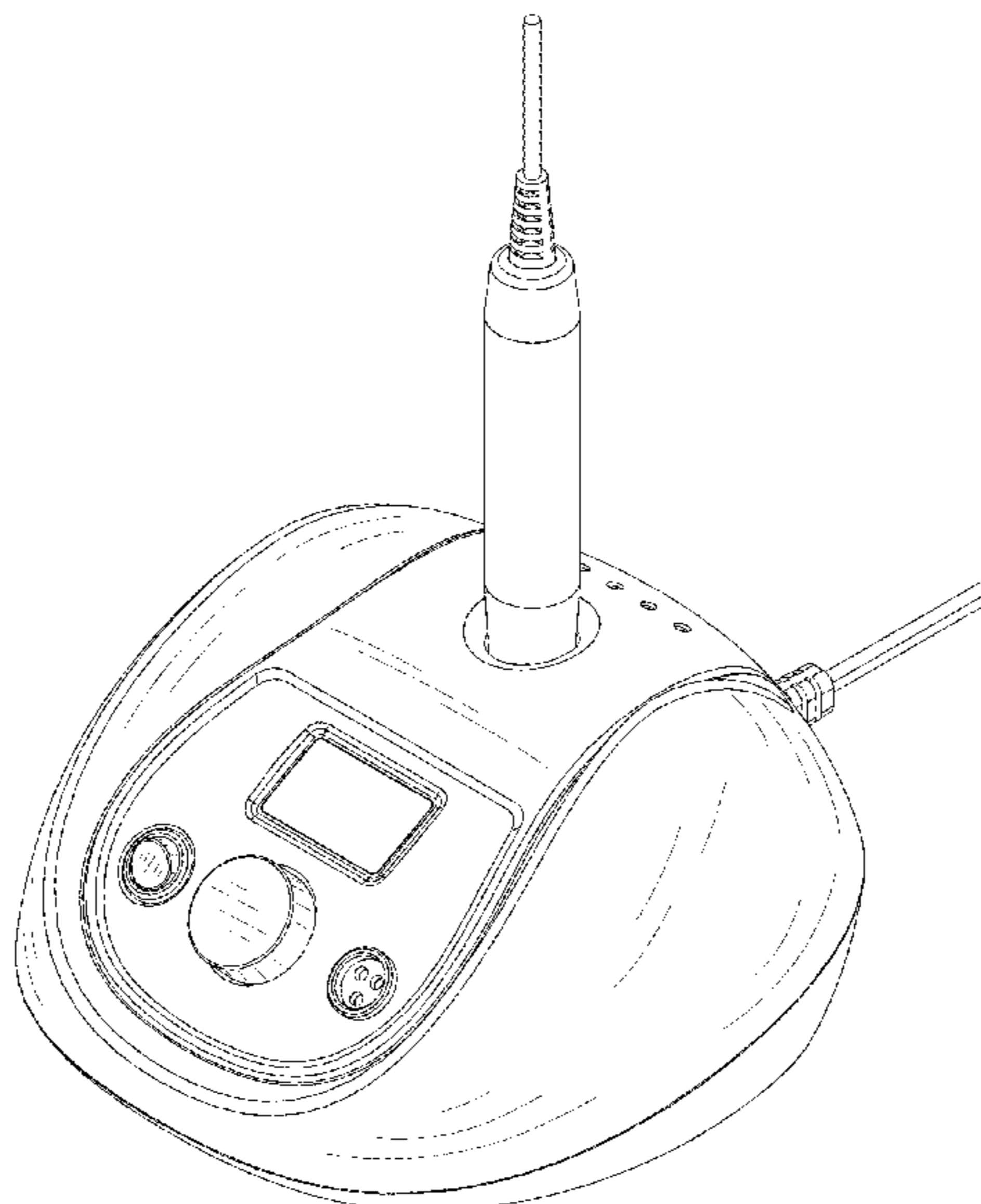
FIG. 1 is a front, top perspective view of the nail drill showing my new design;  
FIG. 2 is a rear, bottom perspective view thereof;  
FIG. 3 is a front elevational view thereof;  
FIG. 4 is a rear elevational view thereof;  
FIG. 5 is a left side elevational view thereof;  
FIG. 6 is a right side elevational view thereof;  
FIG. 7 is a top plan view thereof; and,  
FIG. 8 is a bottom plan view thereof.  
The broken lines in the figures depict the portions of the article that form no parts of the claimed design.

**1 Claim, 8 Drawing Sheets**

(56) **References Cited**

**U.S. PATENT DOCUMENTS**

D75,784 S \* 7/1928 Eldridge ..... D28/58  
1,814,372 A \* 7/1931 Eldridge ..... A45D 29/14  
132/73.6  
D405,232 S \* 2/1999 Stevens ..... D24/133  
D419,843 S \* 2/2000 Saitoh ..... D8/61  
D424,613 S \* 5/2000 Chiang ..... D18/57  
D427,039 S \* 6/2000 Ono ..... D8/61  
D427,040 S \* 6/2000 Heun ..... D8/61  
D442,742 S \* 5/2001 Suen ..... A45D 29/20  
D28/61  
D447,801 S \* 9/2001 Saitoh ..... D24/146  
D484,762 S \* 1/2004 Lee ..... D8/62  
D511,401 S \* 11/2005 Park ..... D28/58



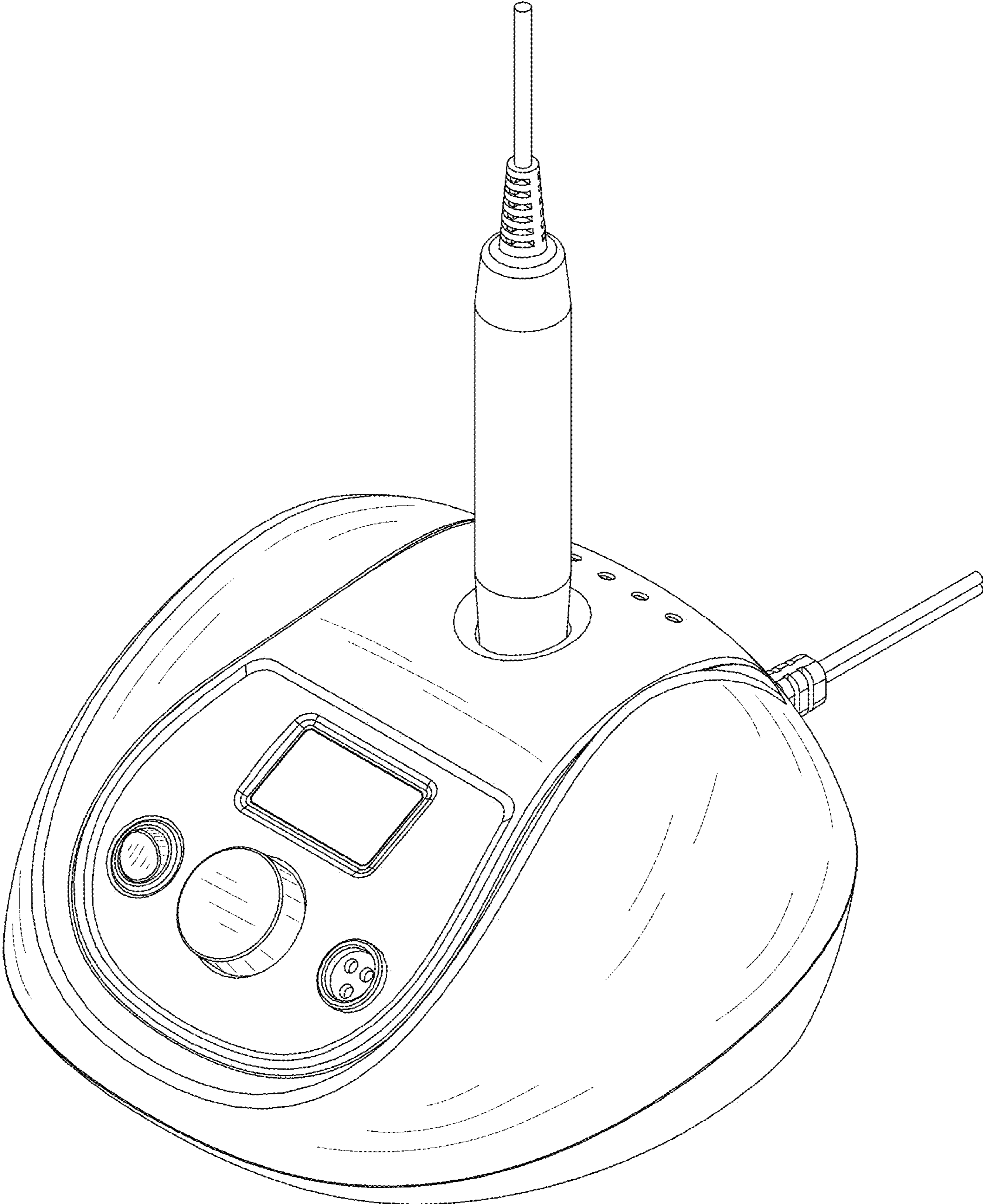


FIG. 1

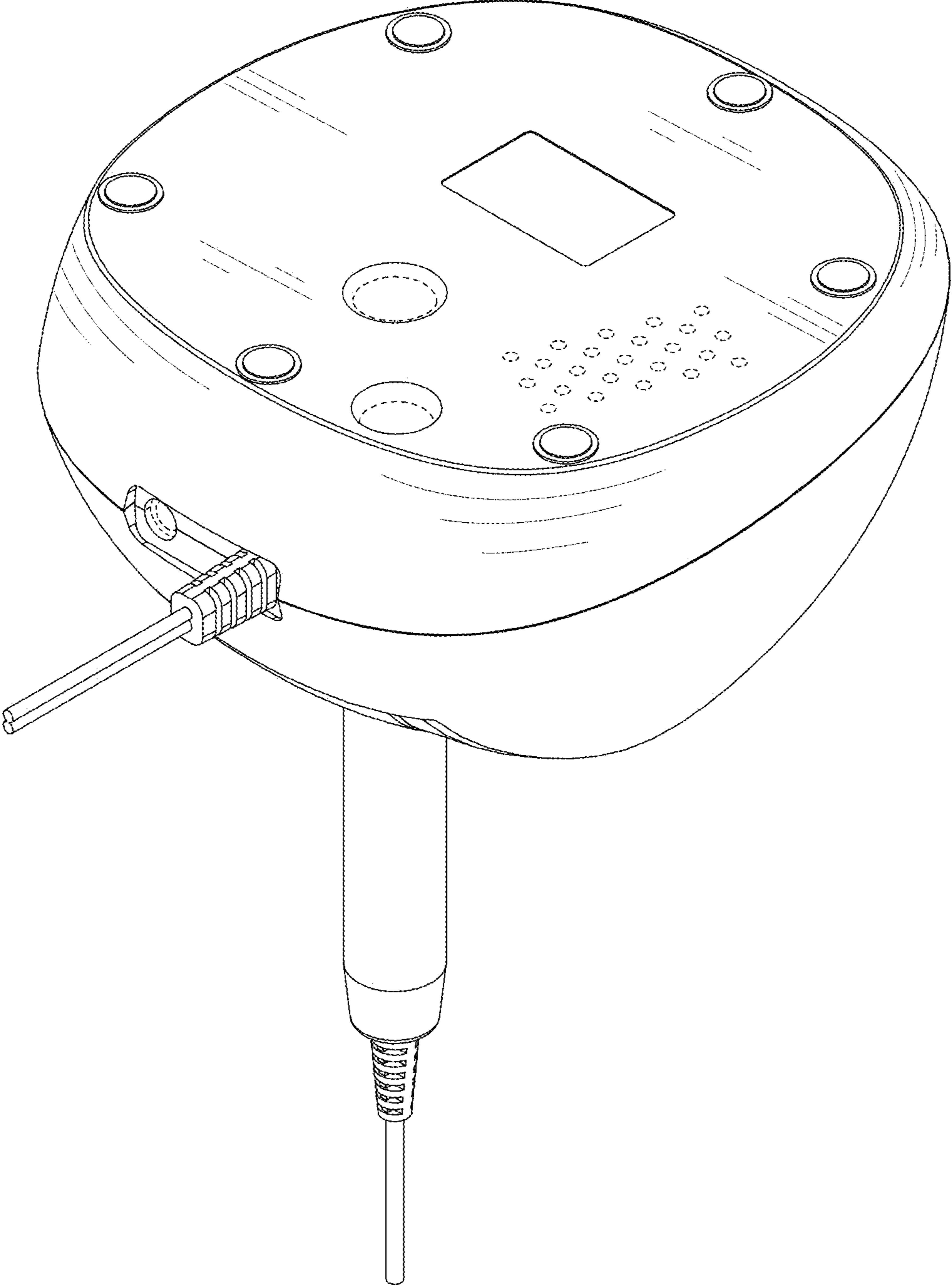


FIG.2

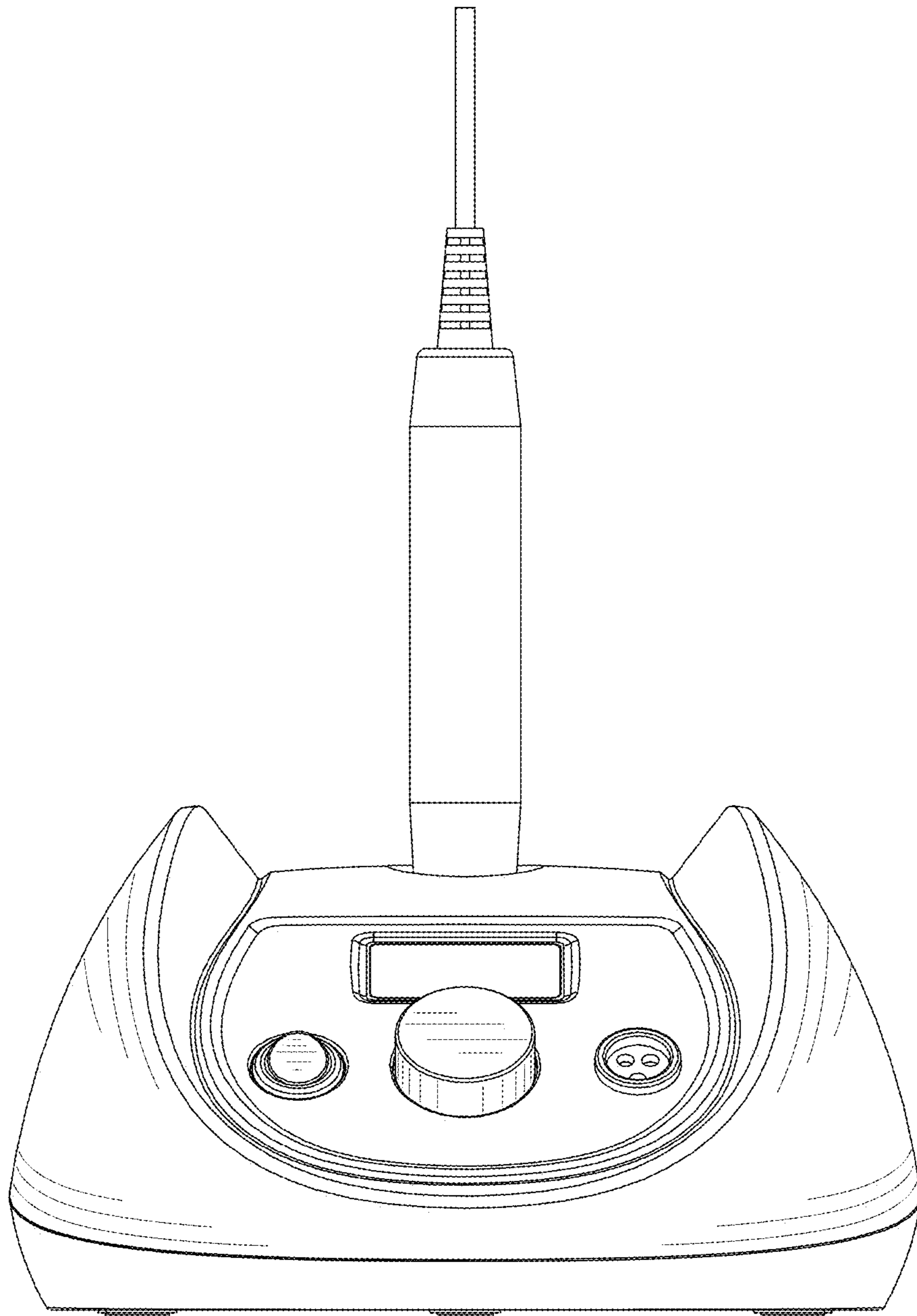


FIG.3

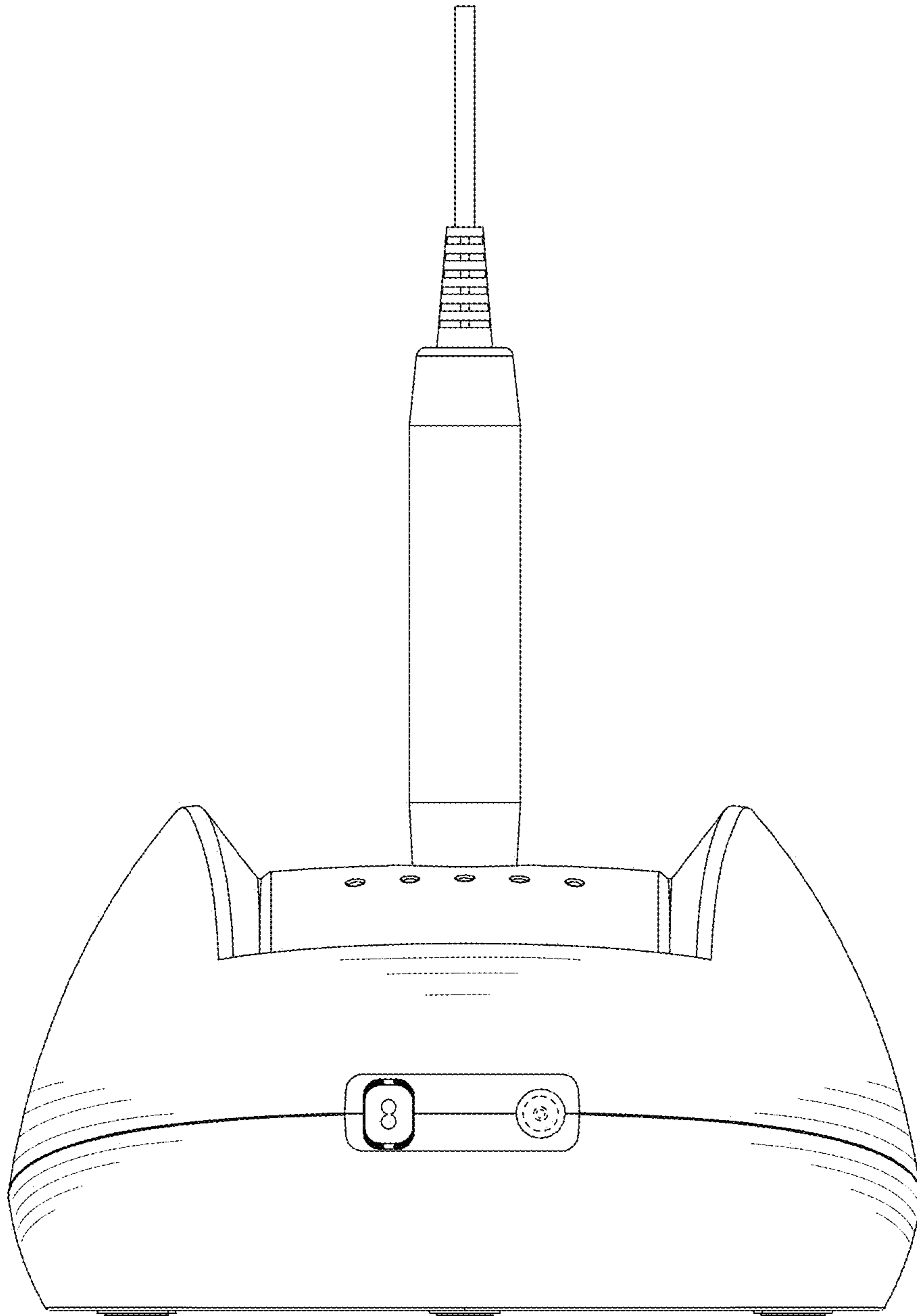


FIG. 4

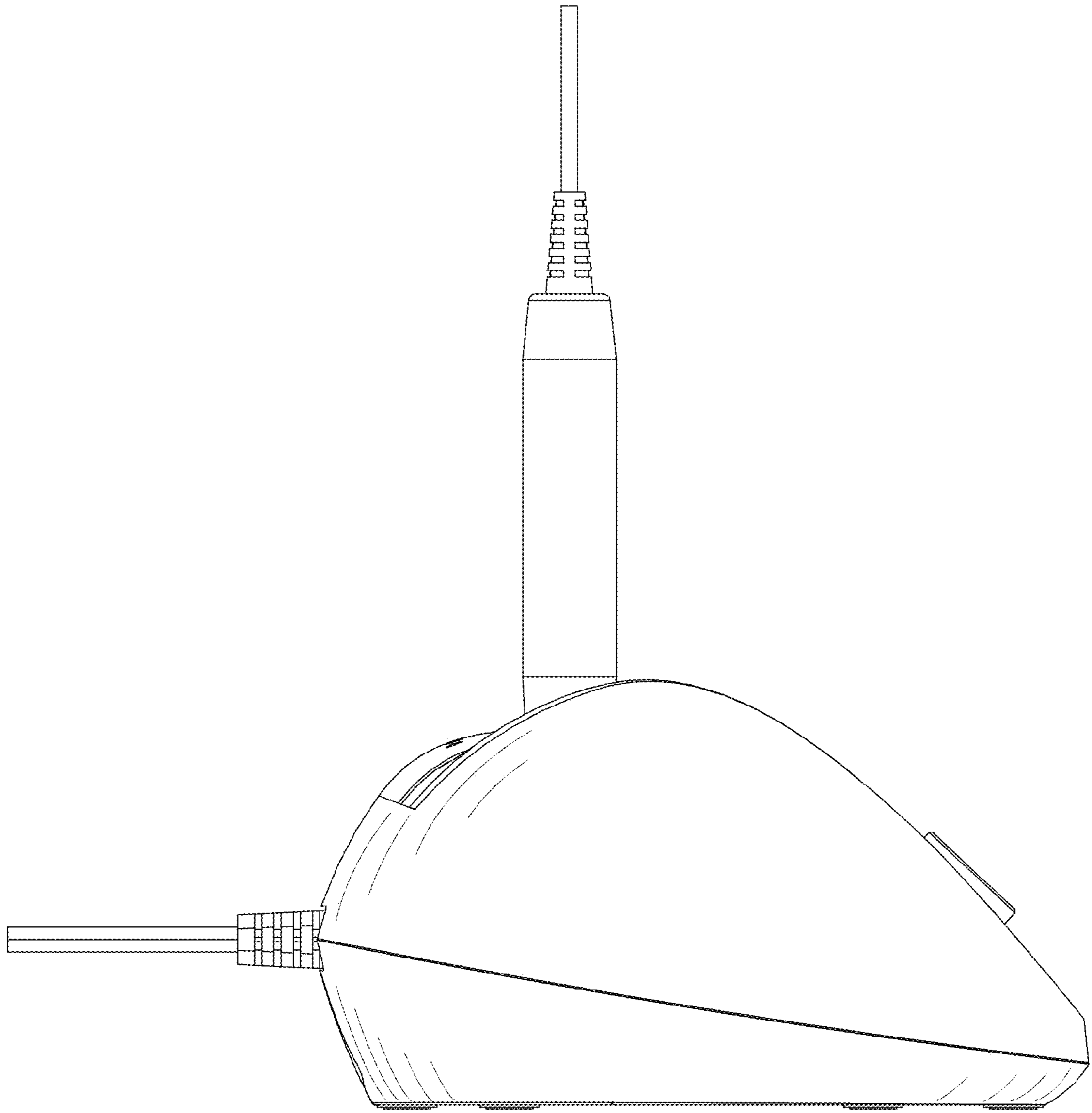


FIG.5

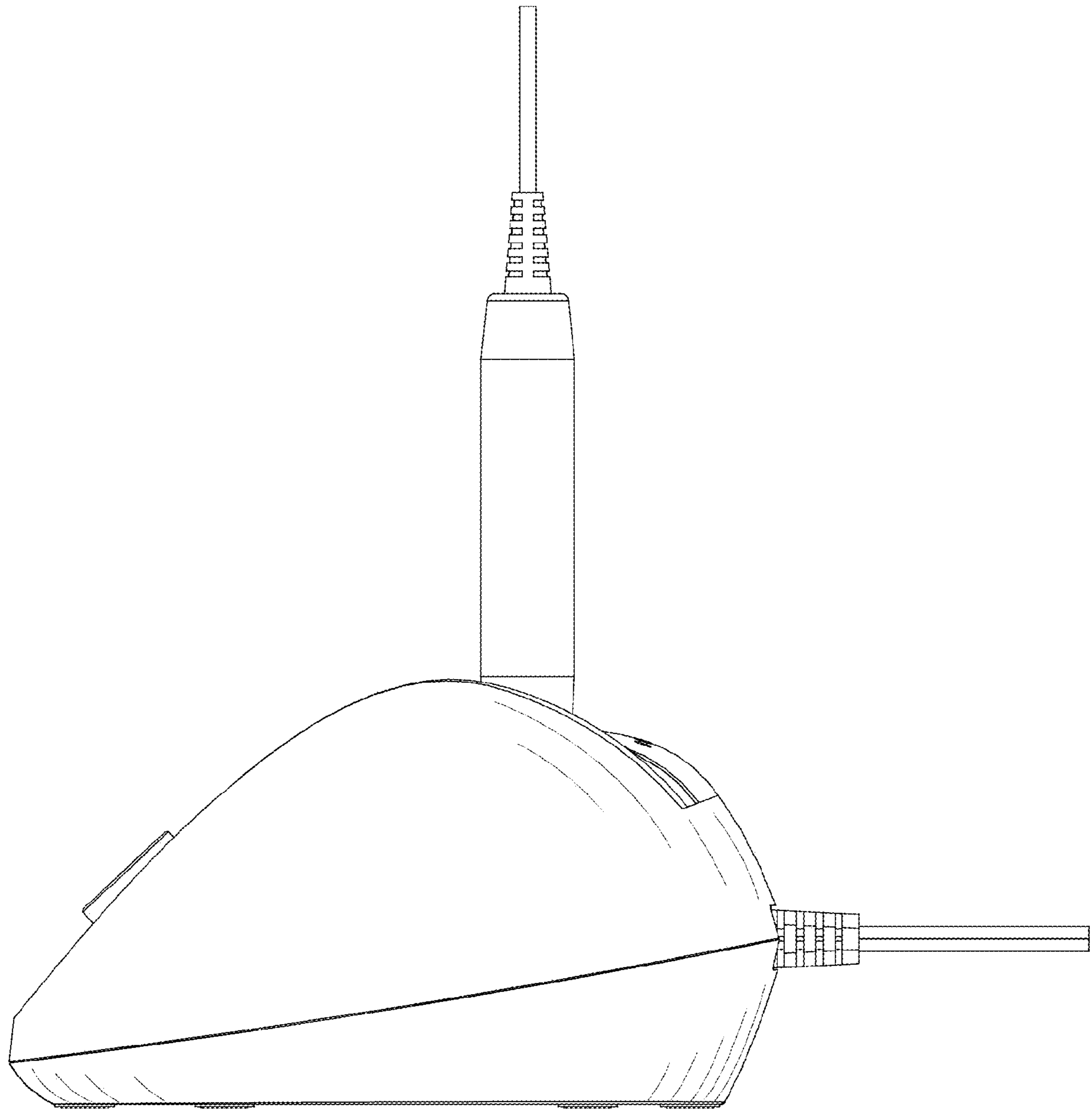


FIG.6

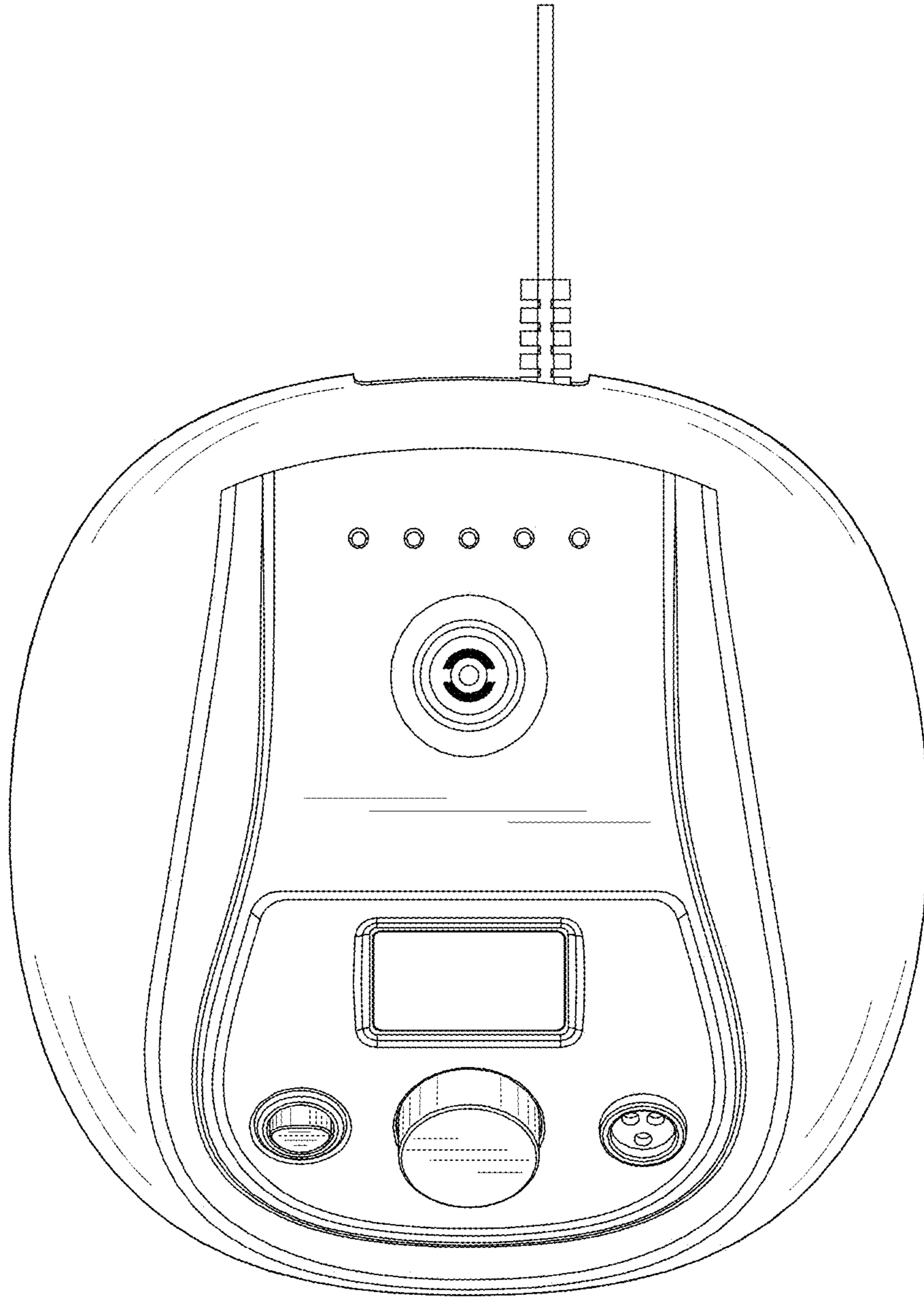


FIG. 7



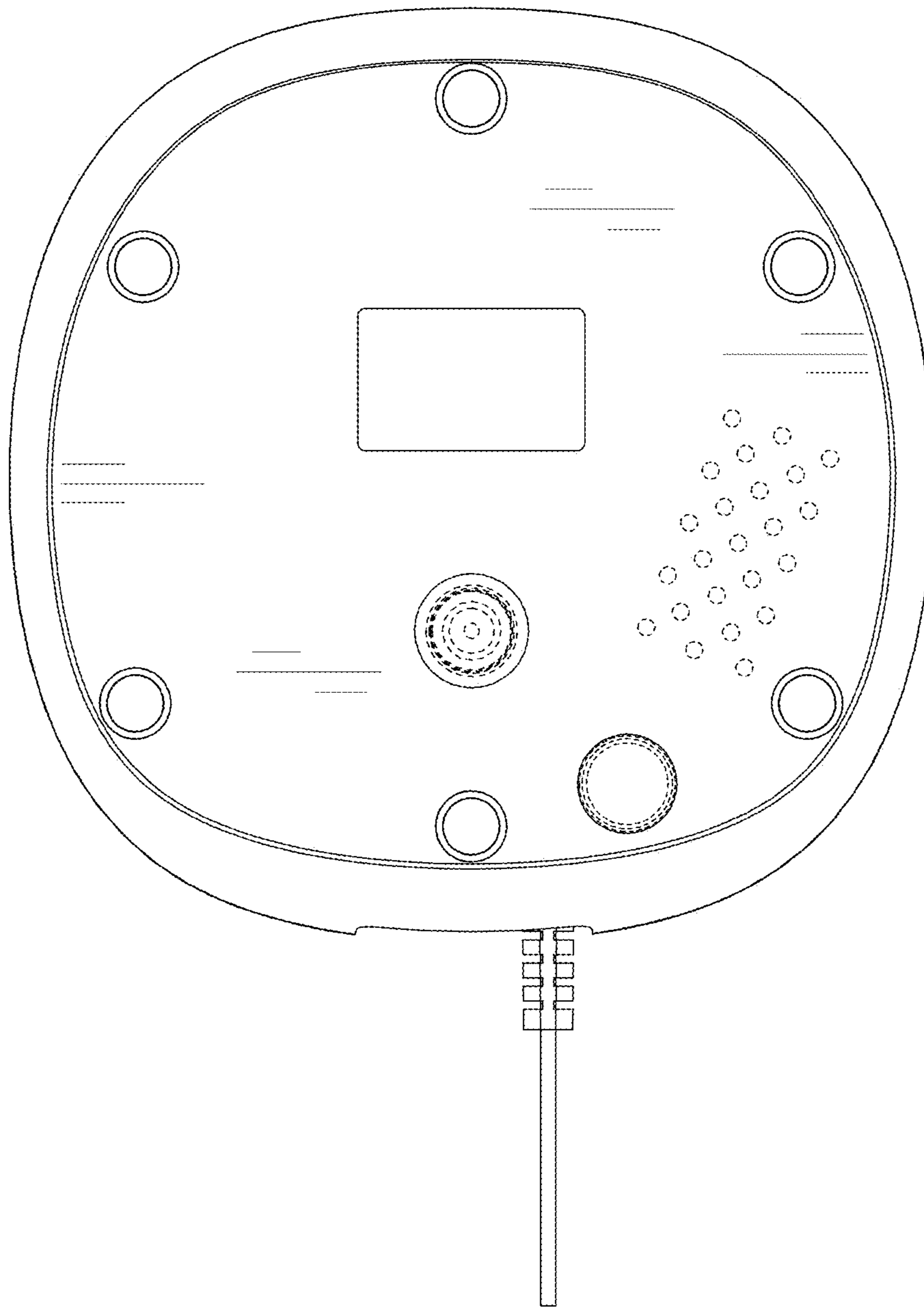


FIG. 8