



US00D915674S

(12) **United States Design Patent** (10) **Patent No.:** **US D915,674 S**  
**Le** (45) **Date of Patent:** **\*\* Apr. 6, 2021**

(54) **PEDICURE BASE STATION**  
(71) Applicant: **Johnathan Le**, Orlando, FL (US)  
(72) Inventor: **Johnathan Le**, Orlando, FL (US)  
(73) Assignee: **Spa Nails Supply, Inc.**, Orlando, FL (US)  
(\*\*) Term: **15 Years**  
(21) Appl. No.: **29/694,675**  
(22) Filed: **Jun. 12, 2019**  
(51) **LOC (13) Cl.** ..... **28-03**  
(52) **U.S. Cl.**  
USPC ..... **D28/56**; D24/204  
(58) **Field of Classification Search**  
USPC ..... D6/360, 364, 365, 708, 708.17, 708.18, D6/716, 716.1; D23/276-278, D23/280.1-280.3; D24/201-205, 213; D28/56, 61  
CPC ..... A61H 33/6005; A61H 33/6021; A61H 33/6089; A61H 33/6094; A61H 2035/004; A61H 35/006; A47K 3/022; A47K 3/062  
See application file for complete search history.

D760,910 S \* 7/2016 Jan ..... D24/204  
D763,456 S \* 8/2016 Tran ..... D24/204  
D783,847 S \* 4/2017 Galati, Jr. .... D24/204  
D907,223 S \* 1/2021 Jan ..... D24/204

**OTHER PUBLICATIONS**

Toepia GX pedicure spa [online], [site visited Aug. 26, 2020], Available from internet, URL: <http://spasns.com/product/toepia-gx-pedicure-spa/> (Year: 2020).\*  
Crane White Edition Pedicure Spa Pedicure [online], [site visited Aug. 26, 2020], Available from internet, URL: <https://www.worldpedispa.com/pedicure-chairs/pedicure-chairs-for-sale/crane-white-edition-pedicure-spa-coming-soon/> (Year: 2020).\*

\* cited by examiner

*Primary Examiner* — Cynthia Ramirez  
*Assistant Examiner* — Xavier Marti-Santos  
(74) *Attorney, Agent, or Firm* — Jason T. Daniel, Esq.; Daniel Law Offices, P.A.

(57) **CLAIM**

The ornamental design for a pedicure base station, as shown and described.

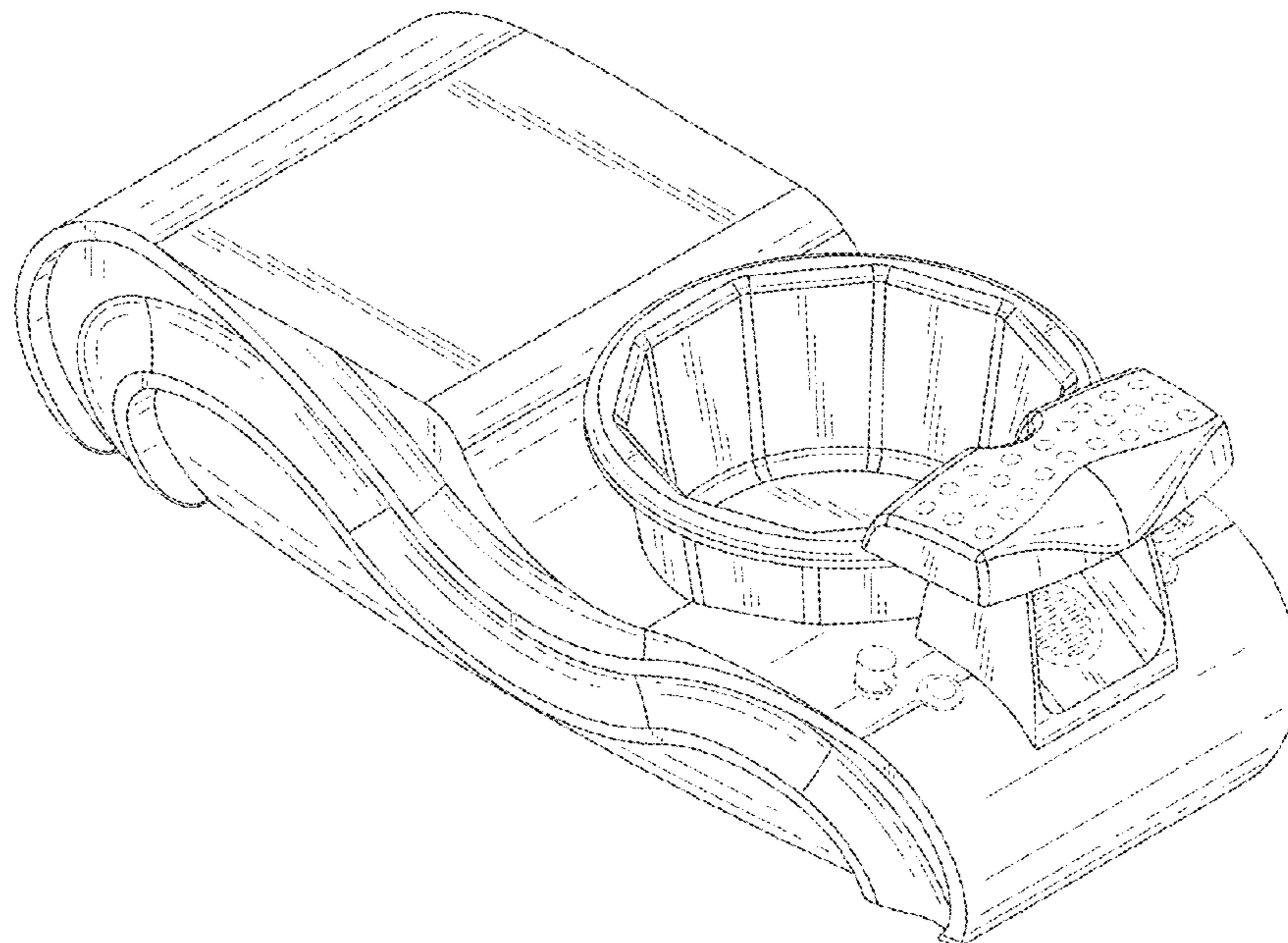
**DESCRIPTION**

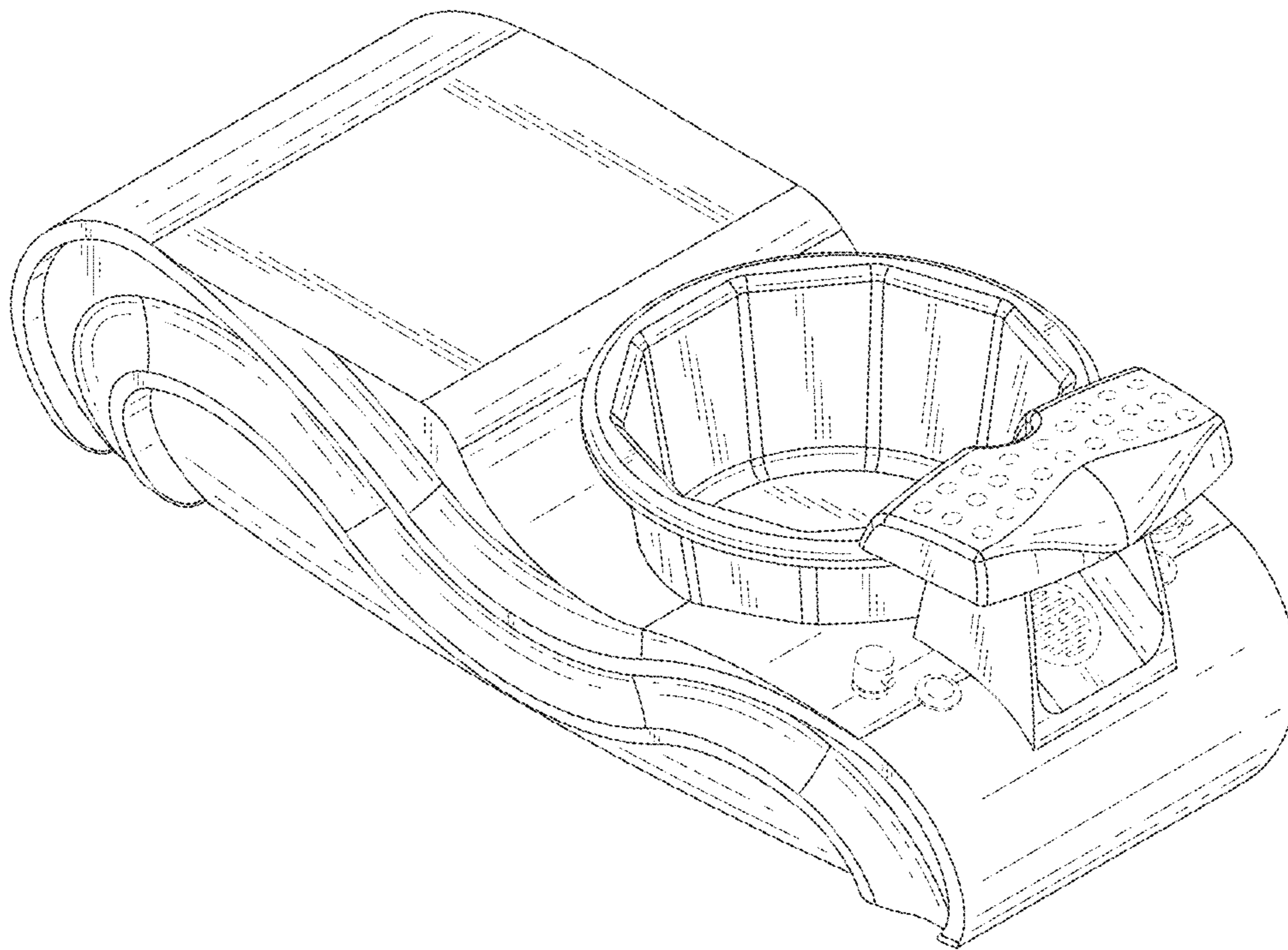
FIG. 1 is a top side perspective view thereof, FIG. 2 is a bottom side perspective view thereof, FIG. 3 is a front side view thereof, FIG. 4 is a back side view thereof, FIG. 5 is a right side view thereof, FIG. 6 is a left side view thereof, FIG. 7 is a top side view thereof; and, FIG. 8 is a bottom side view thereof.  
The broken lines in the figures are for the purpose of illustrating portions of the pedicure base station, which form no part of the claimed design.

**1 Claim, 3 Drawing Sheets**

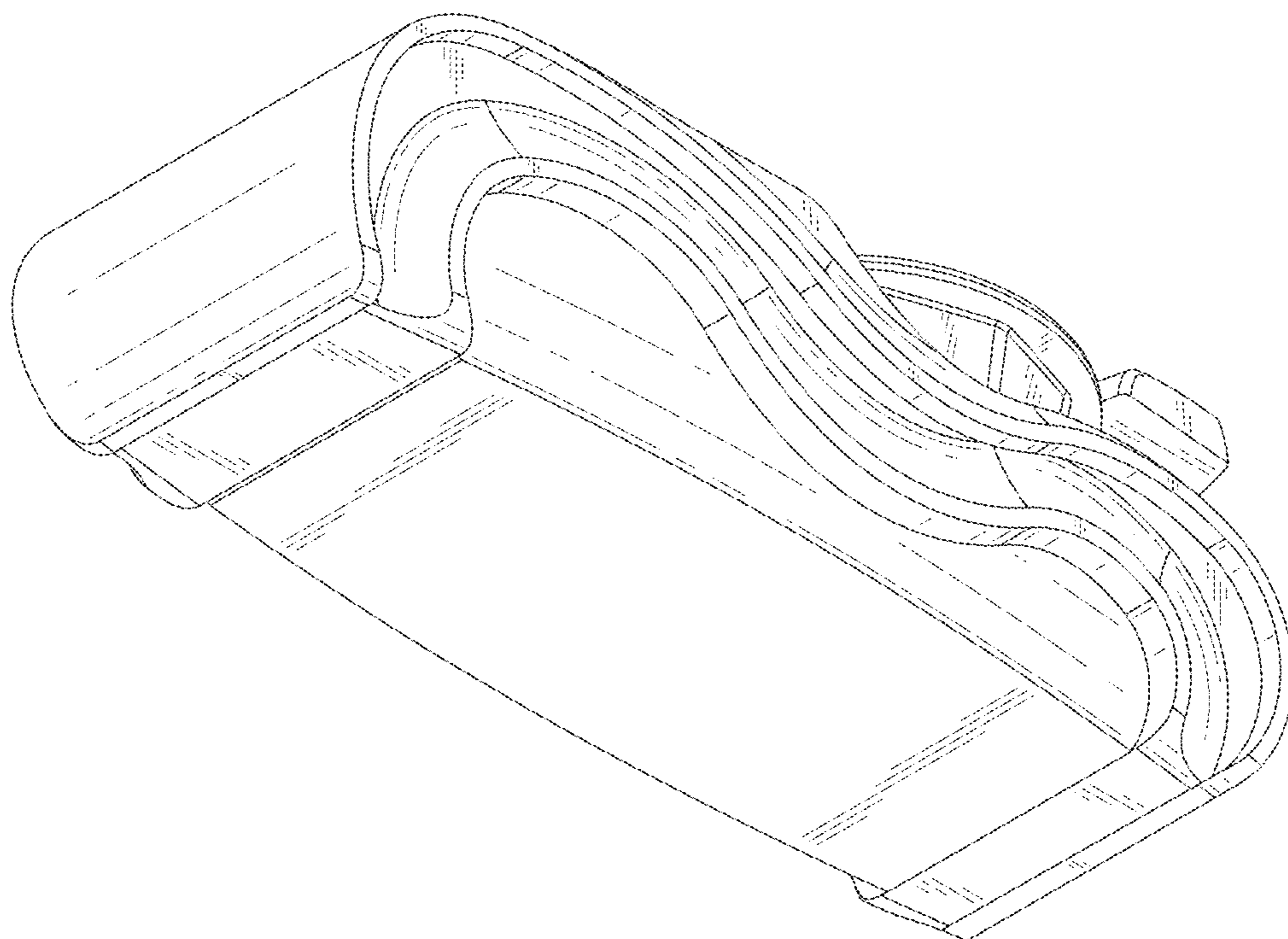
(56) **References Cited**  
U.S. PATENT DOCUMENTS

D590,188 S \* 4/2009 Tran ..... D6/708.18  
D612,509 S \* 3/2010 Tran ..... D24/204  
D622,858 S \* 8/2010 Jan ..... D24/204  
D689,722 S \* 9/2013 Long ..... D6/708  
D701,969 S \* 4/2014 Le ..... D24/204  
D701,970 S \* 4/2014 Le ..... D24/204  
D714,951 S \* 10/2014 Ton ..... D24/204  
D733,309 S \* 6/2015 Ton ..... D24/203  
D751,723 S \* 3/2016 Le ..... D24/201  
D757,283 S \* 5/2016 Ton ..... D24/204





*FIG. 1*



*FIG. 2*

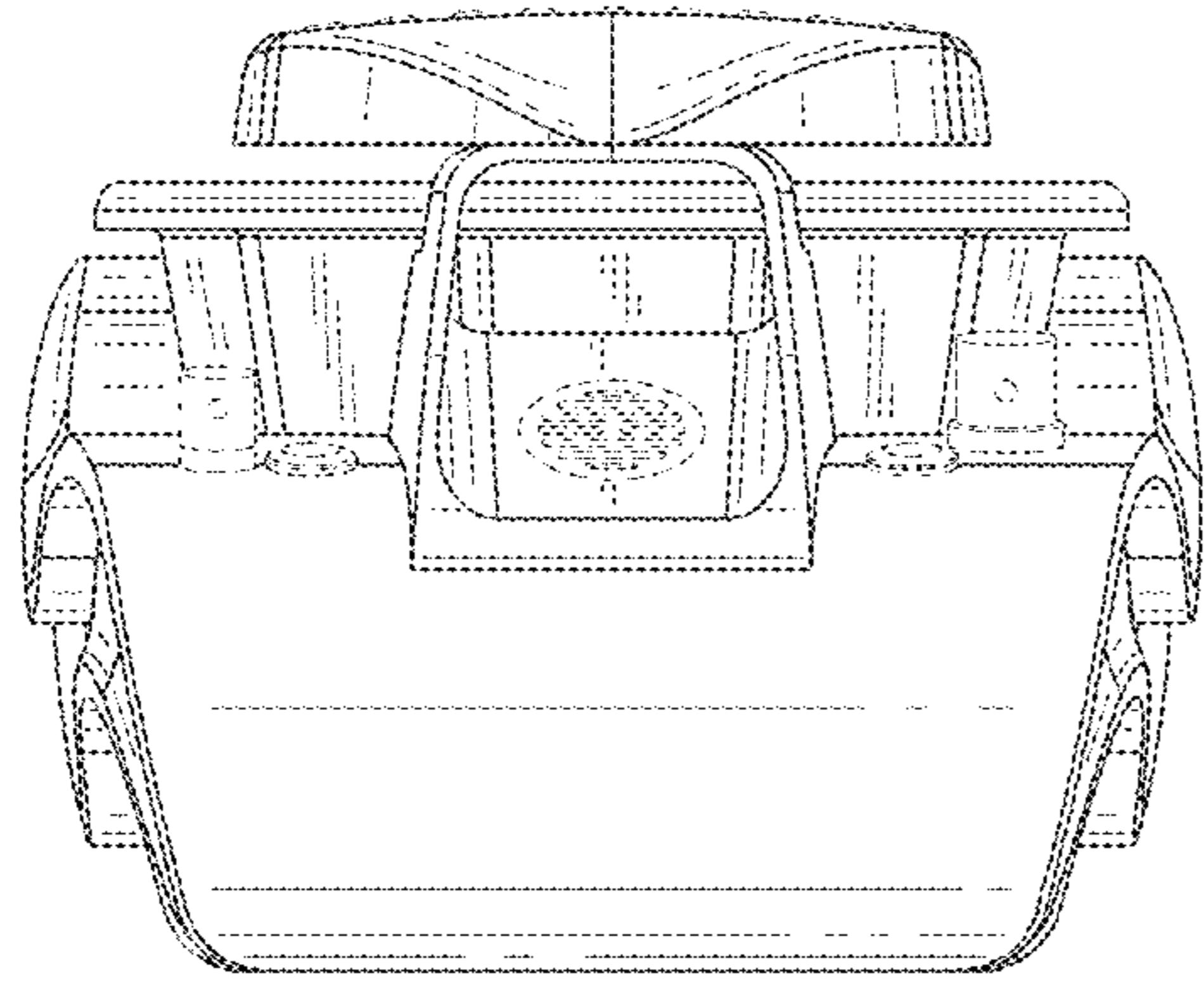


FIG. 3

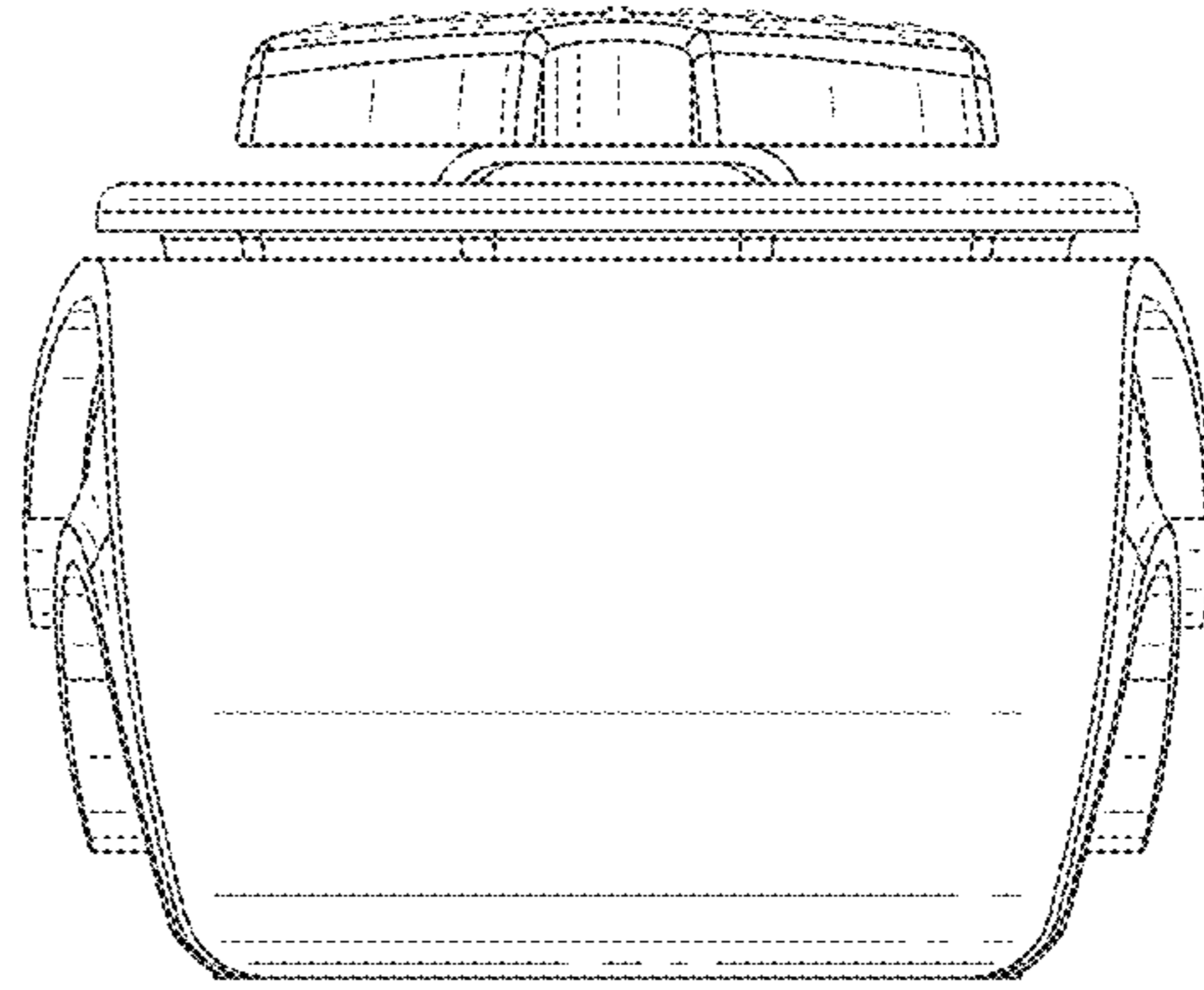


FIG. 4

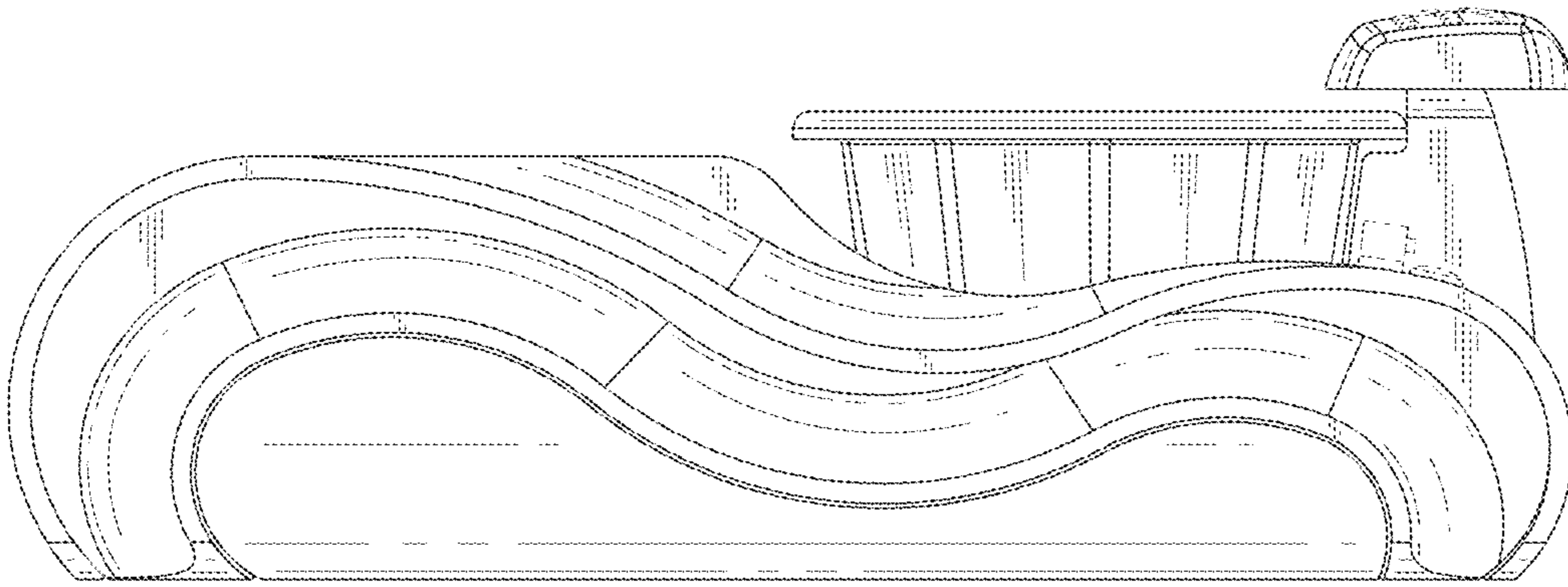


FIG. 5

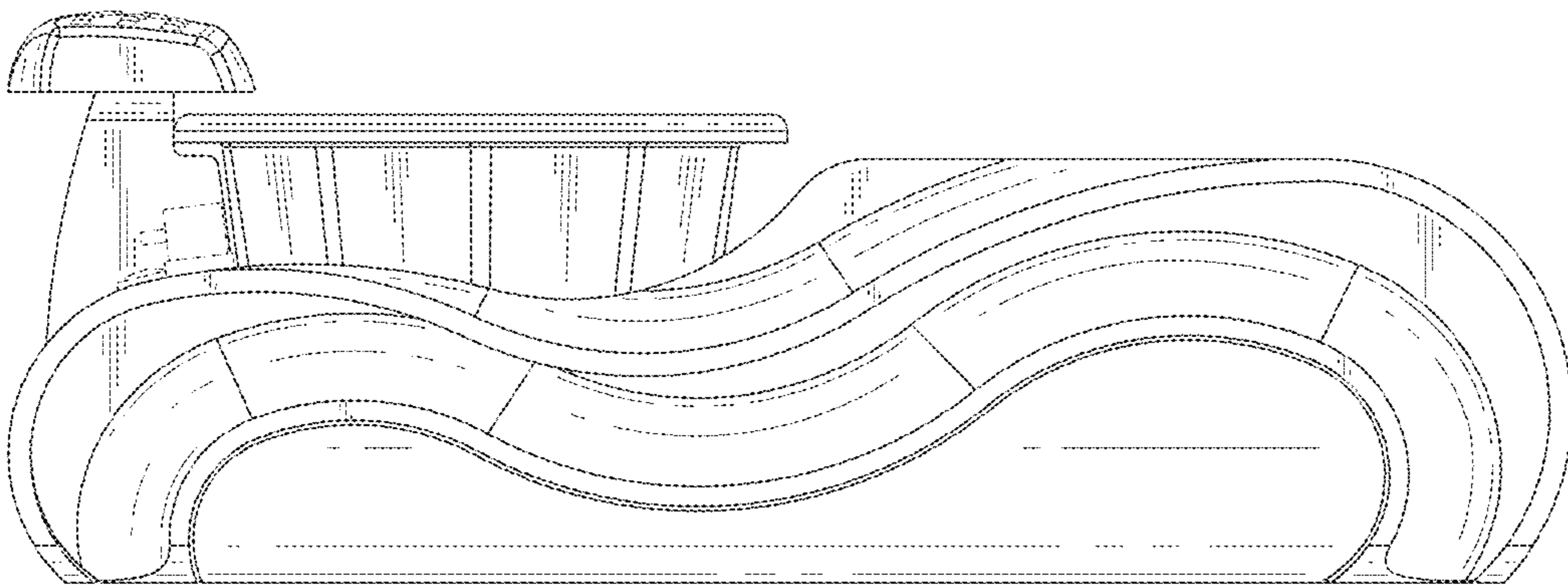


FIG. 6

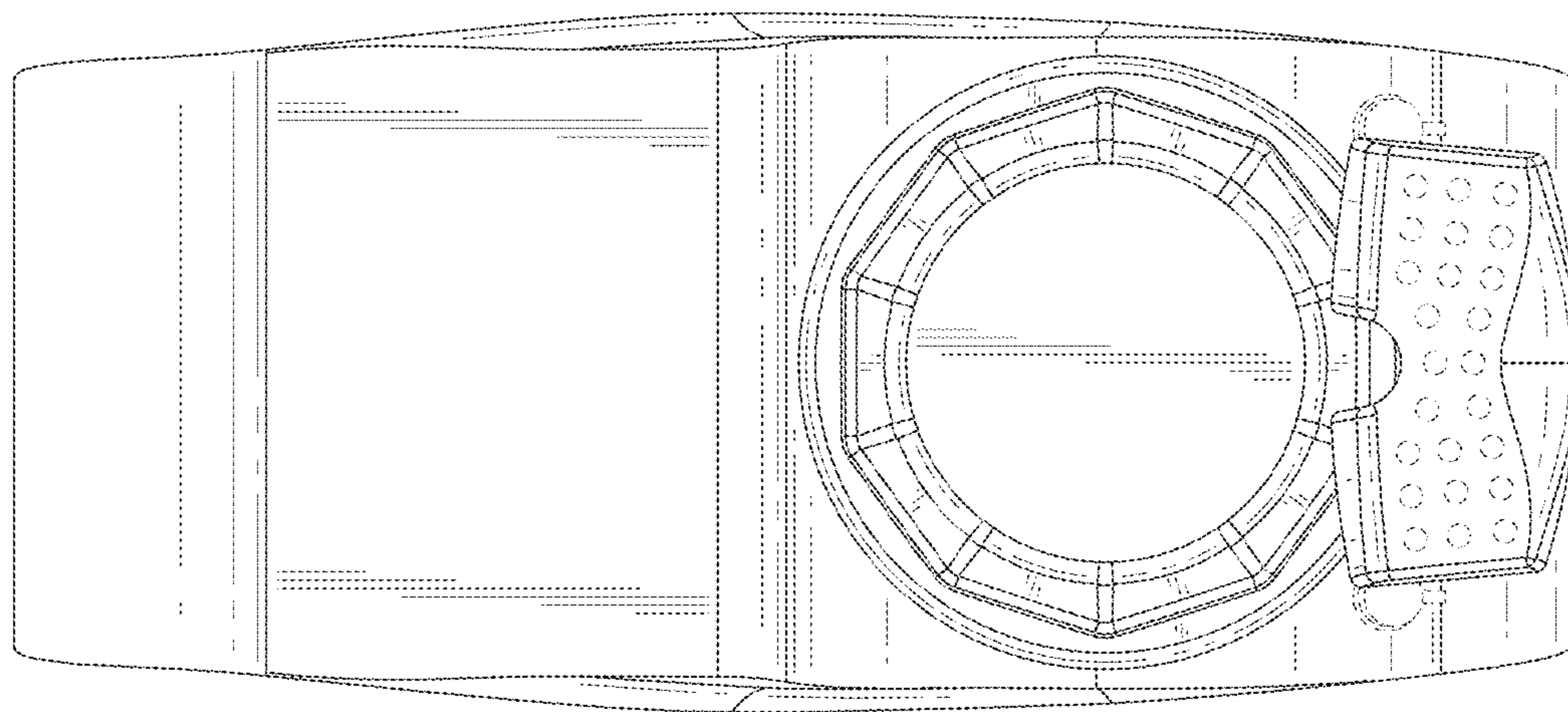


FIG. 7

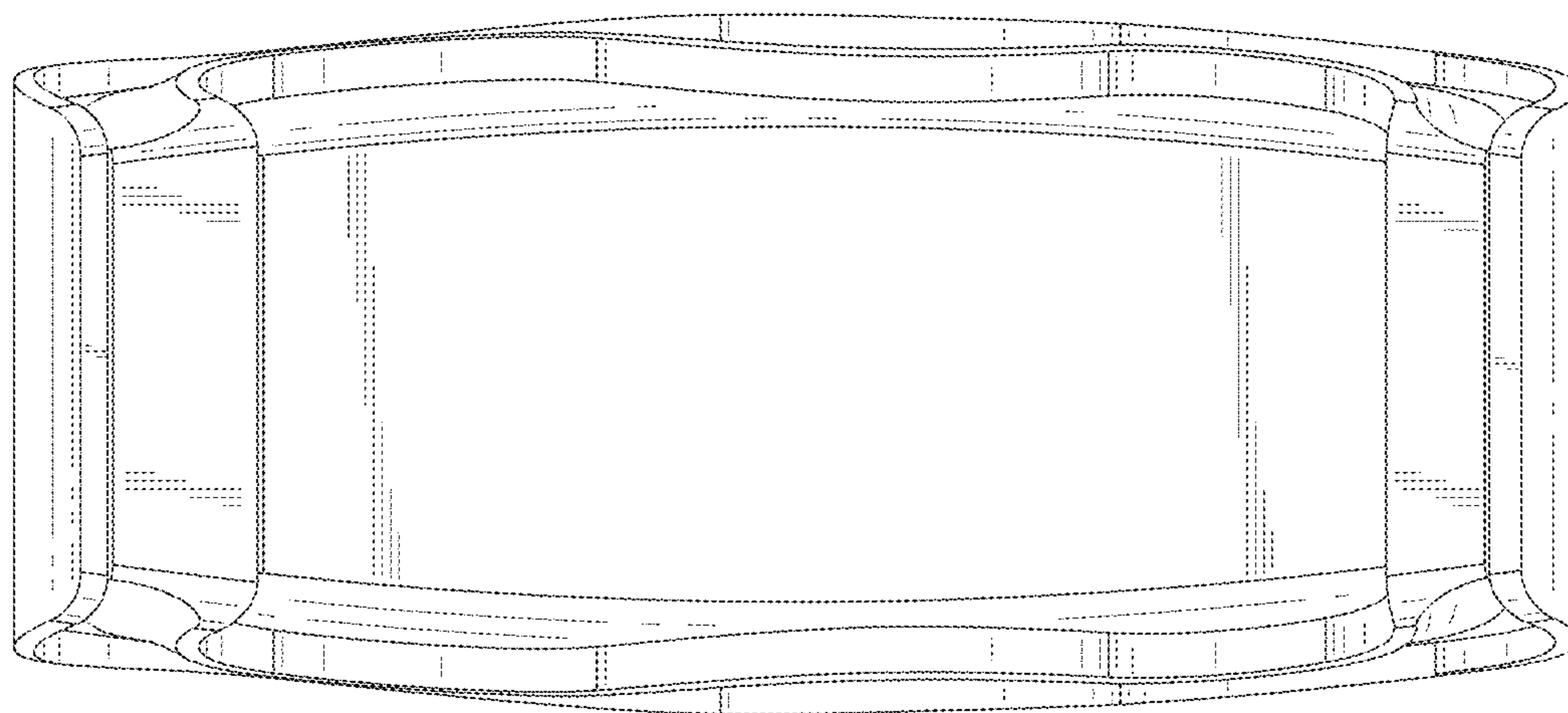


FIG. 8