



US00D915671S

(12) **United States Design Patent** (10) **Patent No.:** **US D915,671 S**
Du (45) **Date of Patent:** **** Apr. 6, 2021**

(54) **HAIR STRAIGHTENER**
(71) Applicant: **SHENZHEN KAIMEISI TECHNOLOGY CO., LTD.**, Shenzhen (CN)
(72) Inventor: **Chenghu Du**, Jingmen (CN)
(73) Assignee: **SHENZHEN KAIMEISI TECHNOLOGY CO., LTD.**, Shenzhen (CN)
(**) Term: **15 Years**
(21) Appl. No.: **29/750,506**
(22) Filed: **Sep. 14, 2020**
(51) **LOC (13) Cl.** **28-03**
(52) **U.S. Cl.**
USPC **D28/35**
(58) **Field of Classification Search**
USPC D28/35
CPC A45D 2001/008; A45D 2/001-002
See application file for complete search history.

D901,078 S * 11/2020 Kim D28/35
D909,064 S * 2/2021 Huang D4/100
D909,759 S * 2/2021 Huang D4/100
2018/0213909 A1 * 8/2018 Fereyre A45D 1/06
2020/0275753 A1 * 9/2020 Debaugé A45D 1/06
2020/0397110 A1 * 12/2020 Fereyre A45D 1/04
2021/0030135 A1 * 2/2021 Nuzzo A45D 34/04

OTHER PUBLICATIONS

10 Best Steam hair straighteners, www.womenmotorist.com, 38 pages, Feb. 2021 (Year: 2021).*

* cited by examiner

Primary Examiner — Jennifer Rivard

(57) **CLAIM**

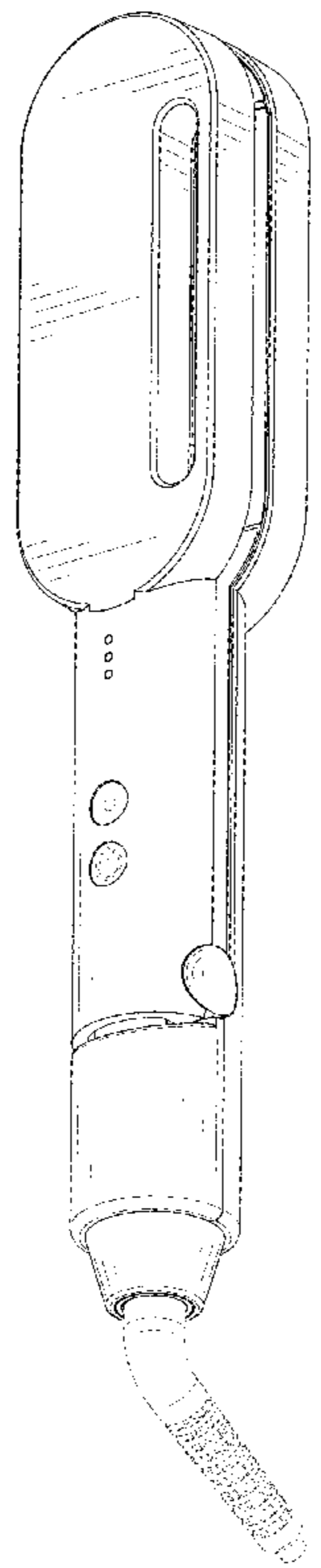
The ornamental design for a hair straightener, as shown and described.

DESCRIPTION

FIG. 1 is a perspective view of a hair straightener showing my new design;
FIG. 2 is another perspective view thereof;
FIG. 3 is a front elevational view thereof;
FIG. 4 is a rear elevational view thereof;
FIG. 5 is a left side elevational view thereof;
FIG. 6 is a right side elevational view thereof;
FIG. 7 is a top plan view thereof;
FIG. 8 is a bottom plan view thereof; and,
FIG. 9 is a perspective view of the hair straightener where the hair straightener is in a configuration of use.
The broken lines in the drawings depict portions of the hair straightener that form no part of the claimed design.

1 Claim, 9 Drawing Sheets

(56) **References Cited**
U.S. PATENT DOCUMENTS
D479,626 S 9/2003 Colombo
9,095,196 B2 * 8/2015 Leung A45D 1/04
D787,122 S 5/2017 Chen
D808,588 S 1/2018 Kim
D872,358 S * 1/2020 Liao D28/13
D876,015 S * 2/2020 Lin D28/35



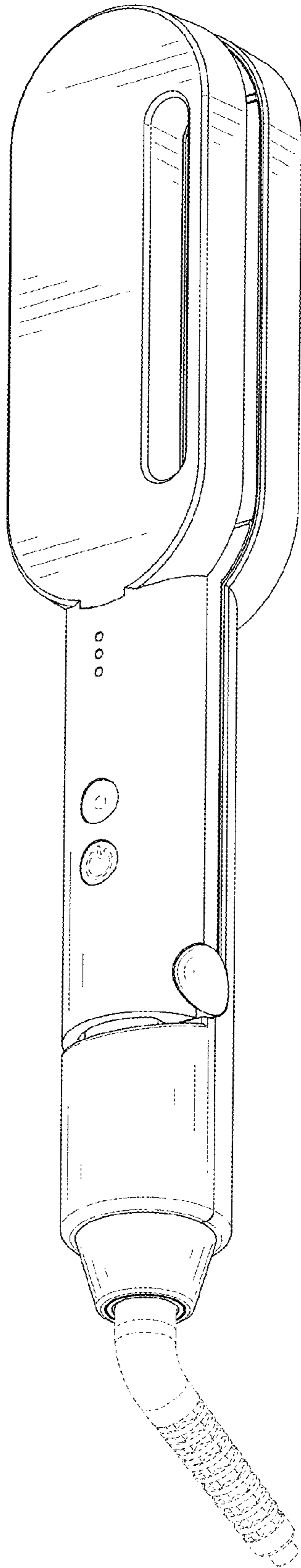


FIG. 1

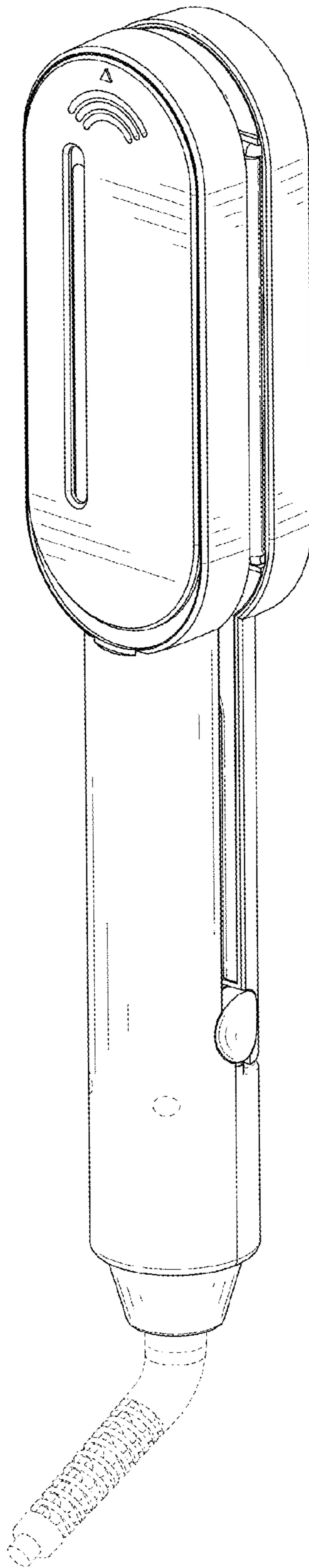


FIG. 2

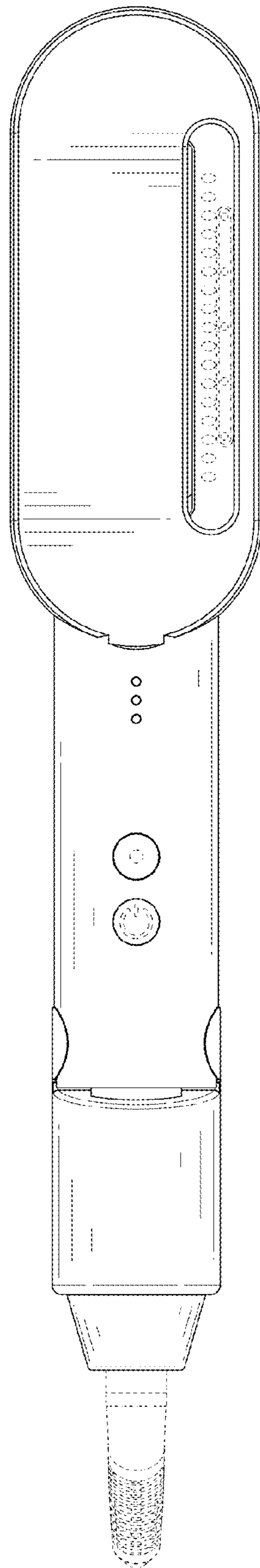


FIG. 3

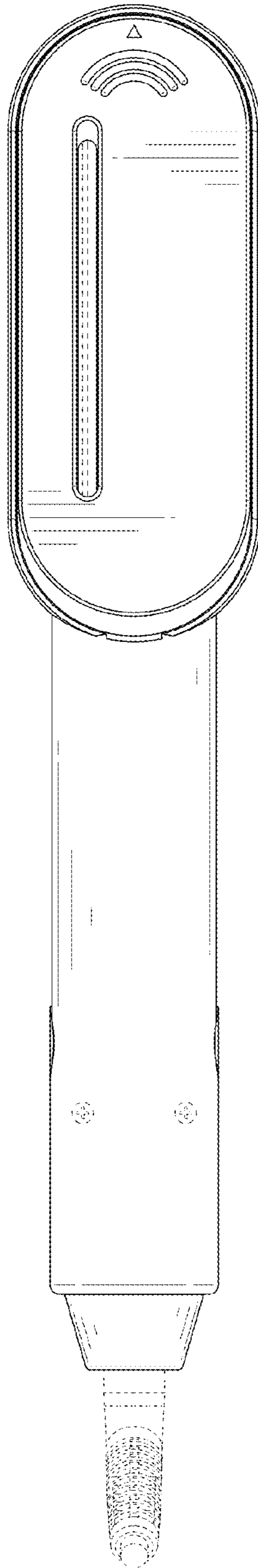


FIG. 4

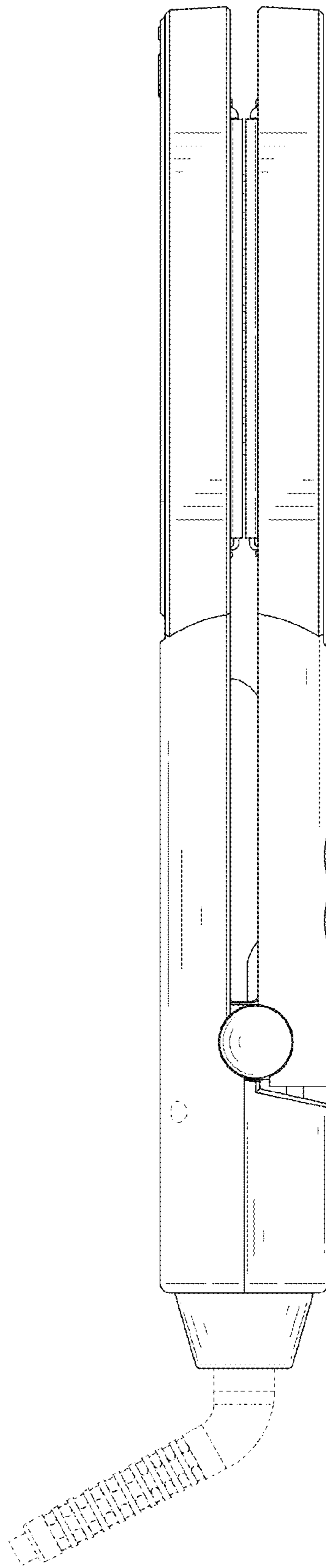


FIG. 5

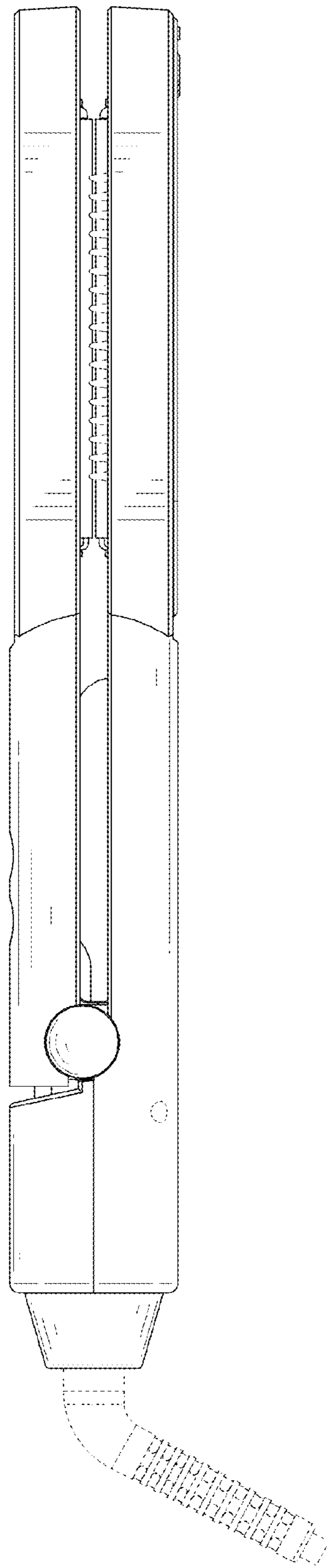


FIG. 6

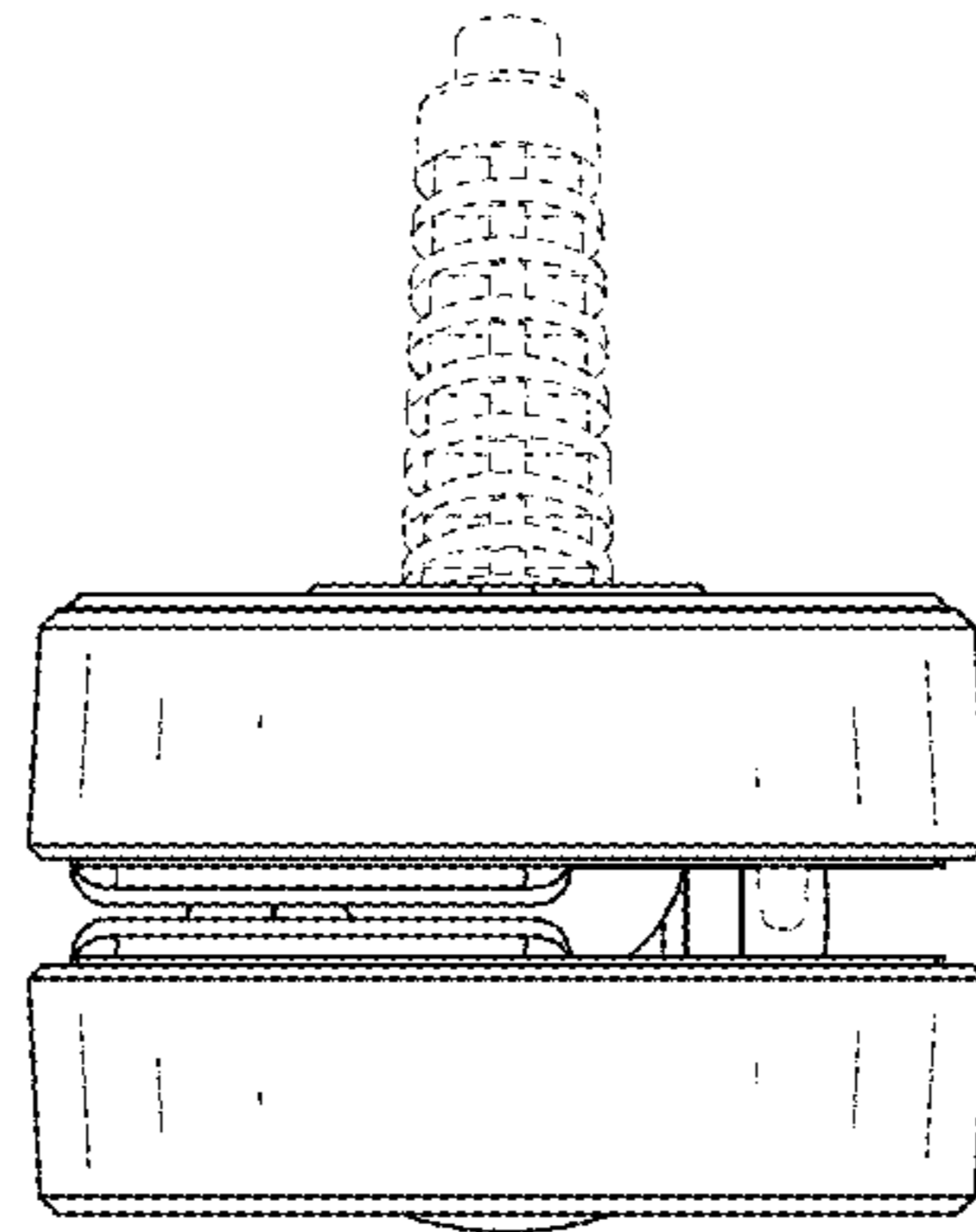


FIG. 7

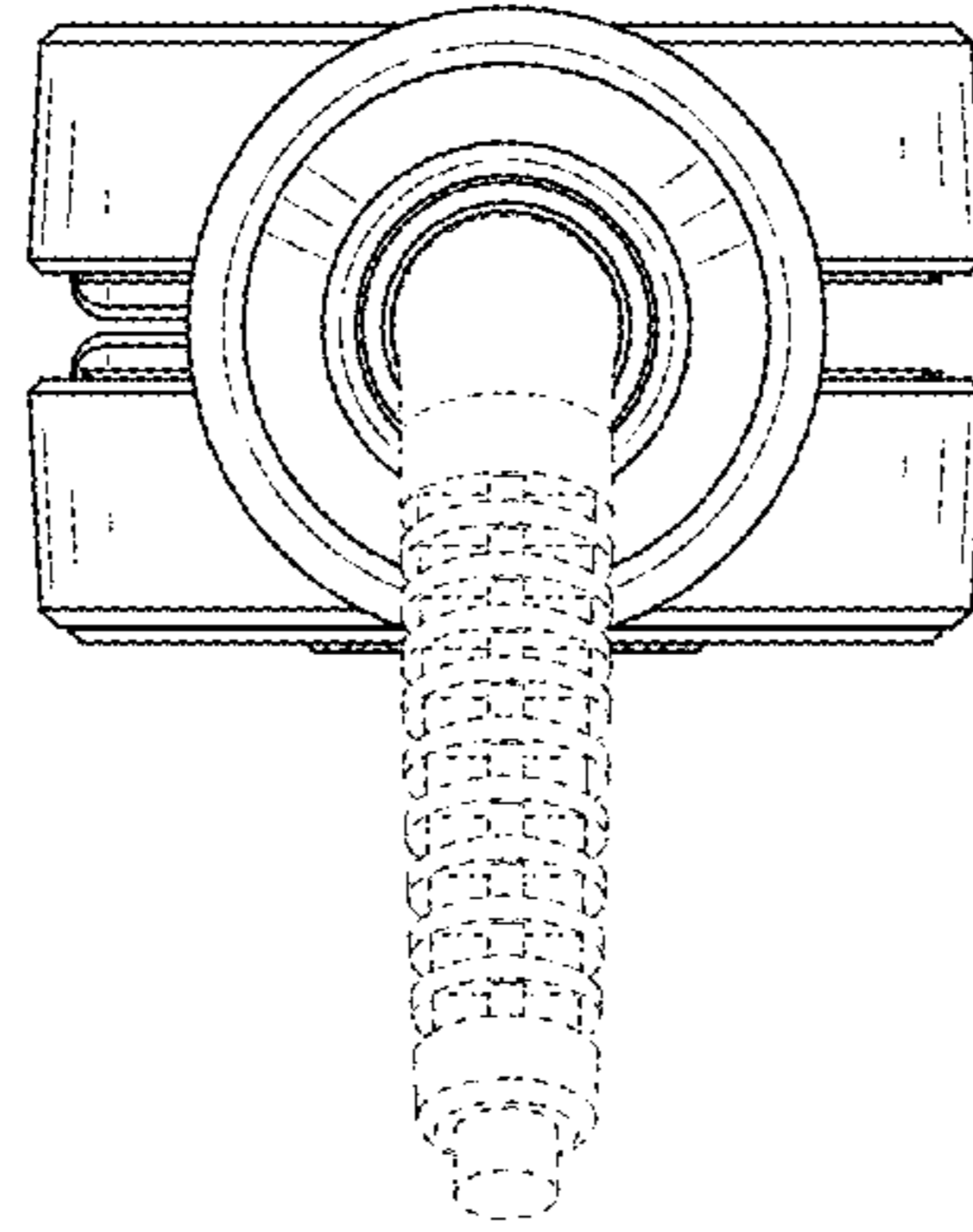


FIG. 8

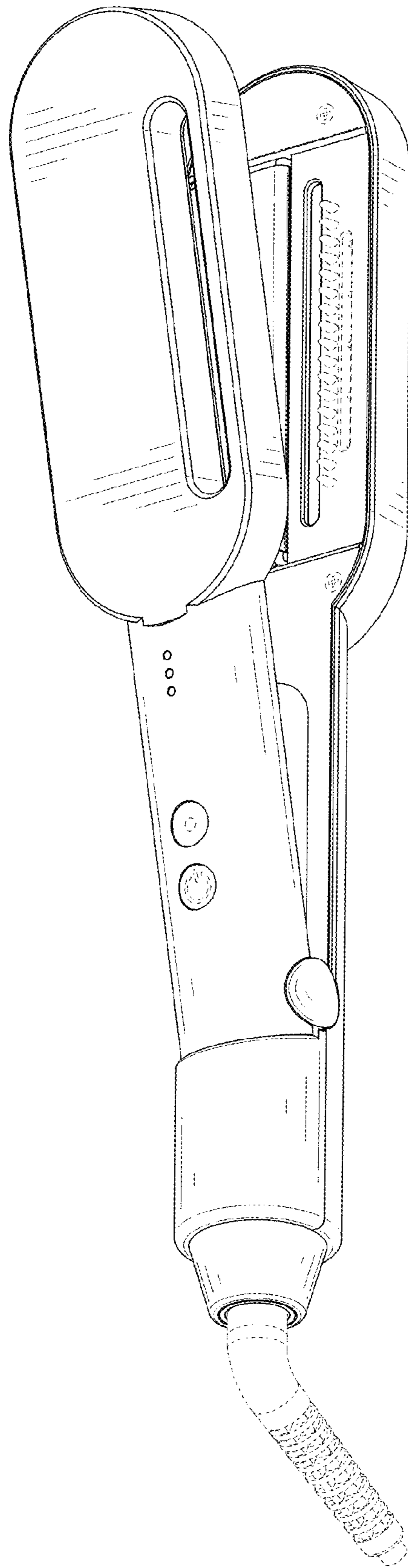


FIG. 9