



US00D915670S

(12) **United States Design Patent**  
**Huang**

(10) **Patent No.:** **US D915,670 S**  
(45) **Date of Patent:** **\*\* Apr. 6, 2021**

(54) **HAIR CURLING IRON**

FOREIGN PATENT DOCUMENTS

(71) Applicant: **Dongguan Empress Technology Co., Ltd.**, Dongguan (CN)

EM 007143805-0001 \* 10/2019

(72) Inventor: **Hali Huang**, Hanchuan (CN)

OTHER PUBLICATIONS

(73) Assignee: **Dongguan Empress Technology Co., Ltd.**

Hot Styling 2 In 1 Hair Curler New Arrival Ceramic Flat Iron [online], [site visited Oct. 28, 2020]. Available from internet, URL:<[https://www.alibaba.com/product-detail/Hot-Styling-2-In-1-Hair\\_62204302087.html?spm=a2700.icbuShop.41413.15.f95812e5pusVOP](https://www.alibaba.com/product-detail/Hot-Styling-2-In-1-Hair_62204302087.html?spm=a2700.icbuShop.41413.15.f95812e5pusVOP)> (Year: 2020).\*

(\*\*) Term: **15 Years**

(Continued)

(21) Appl. No.: **29/707,795**

Primary Examiner — Cynthia Ramirez

(22) Filed: **Oct. 1, 2019**

Assistant Examiner — Xavier Marti-Santos

(51) **LOC (13) Cl.** ..... **28-03**

(57) **CLAIM**

(52) **U.S. Cl.**

The ornamental design for a hair curling iron, as shown and described.

USPC ..... **D28/35**

(58) **Field of Classification Search**

**DESCRIPTION**

USPC ..... D28/10, 35, 37, 38

CPC ..... A45D 2/00; A45D 2001/045; A45D 1/16;

A45D 1/04; A45D 1/18; A45D 1/06-14;

A45D 2/02-10; A45D 2/38-42; A45D

2/001-002

See application file for complete search history.

FIG. 1 is a front view of a hair curling iron, showing my new design;

FIG. 2 is a back view thereof;

FIG. 3 is an enlarged left side view thereof;

FIG. 4 is an enlarged right side view thereof;

FIG. 5 is a top view thereof;

FIG. 6 is a bottom view thereof;

FIG. 7 is a perspective view thereof;

FIG. 8 is an enlarged illustration of the portion of the hair curling iron encircled at 8 in FIG. 1.

FIG. 9 is an enlarged illustration of the portion of the hair curling iron encircled at 9 in FIG. 3; and,

FIG. 10 is an enlarged illustration of the portion of the hair curling iron encircled at 10 in FIG. 1.

The dash lines are demarcating enlarged areas and form no part of the claimed design.

The broken lines in the figures are for the purpose of illustrating portions of the hair curling iron, which form no part of the claimed design.

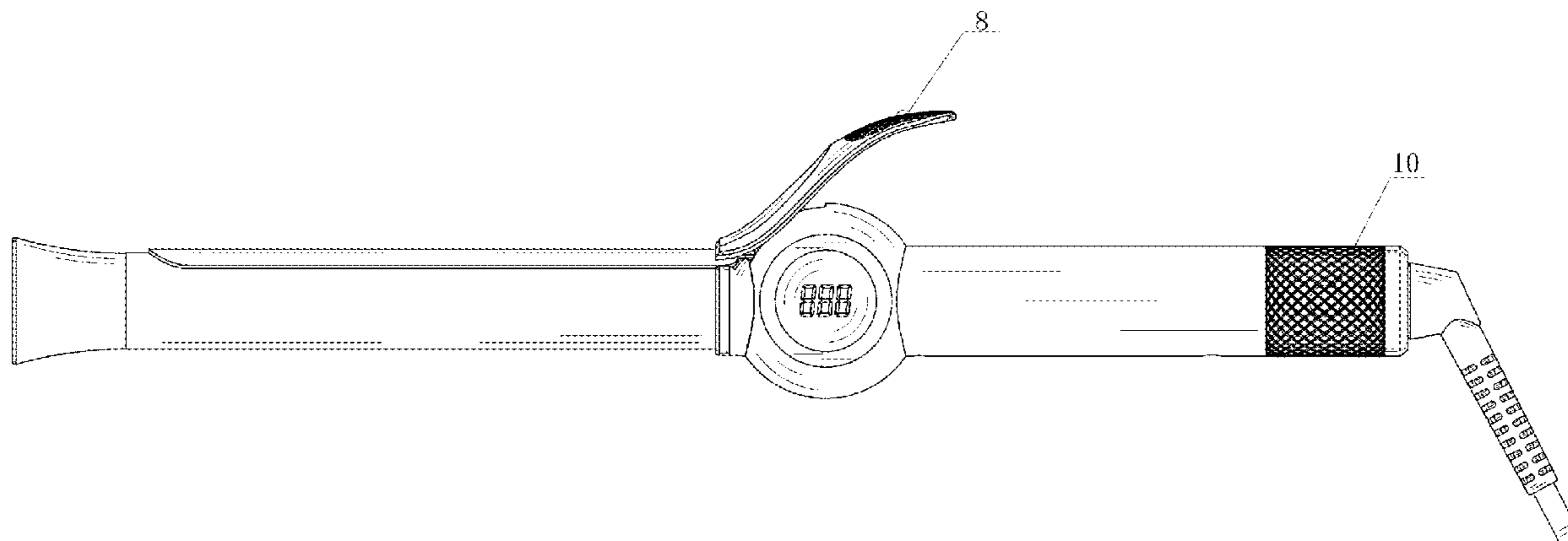
(56) **References Cited**

U.S. PATENT DOCUMENTS

D570,042 S *	5/2008	Leung	.....	D28/35
D596,792 S *	7/2009	Kwok	.....	D28/35
D698,488 S *	1/2014	Byun	.....	D28/35
D726,961 S *	4/2015	Sayers	.....	D28/35
D748,331 S *	1/2016	Prats	.....	D28/35
D821,031 S *	6/2018	Feng	.....	D28/35
D833,676 S *	11/2018	Lee	.....	D28/35
D851,831 S *	6/2019	Fan	.....	D28/35
D857,292 S *	8/2019	Hu	.....	D28/35
D884,271 S *	5/2020	Liao	.....	D28/35
D908,284 S *	1/2021	Chandra	.....	D28/35
2013/0306099 A1 *	11/2013	Lam	.....	A45D 1/00 132/211

(Continued)

**1 Claim, 10 Drawing Sheets**



(56)

**References Cited**

U.S. PATENT DOCUMENTS

2016/0058150 A1\* 3/2016 Yu ..... A45D 1/28  
132/211  
2018/0070694 A1\* 3/2018 Feng ..... A45D 1/16

OTHER PUBLICATIONS

BESTOPE Curling Iron 1 Inch Hair Curler with Ceramic Coating Barrel [online], [site visited Oct. 28, 2020]. Available from internet, URL:<<https://www.amazon.com/BESTOPE-Curling-Ceramic-Professional-Resistant/dp/B08HWWBVML/>> (Year: 2020).\*

\* cited by examiner

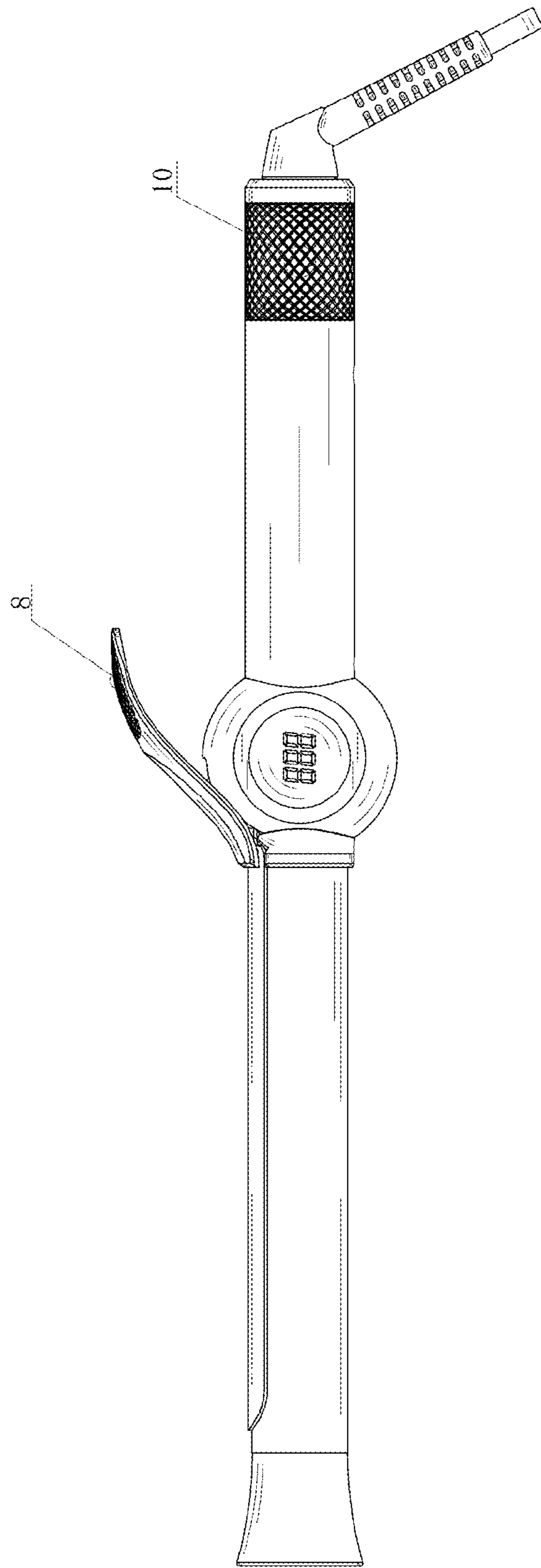


FIG. 1

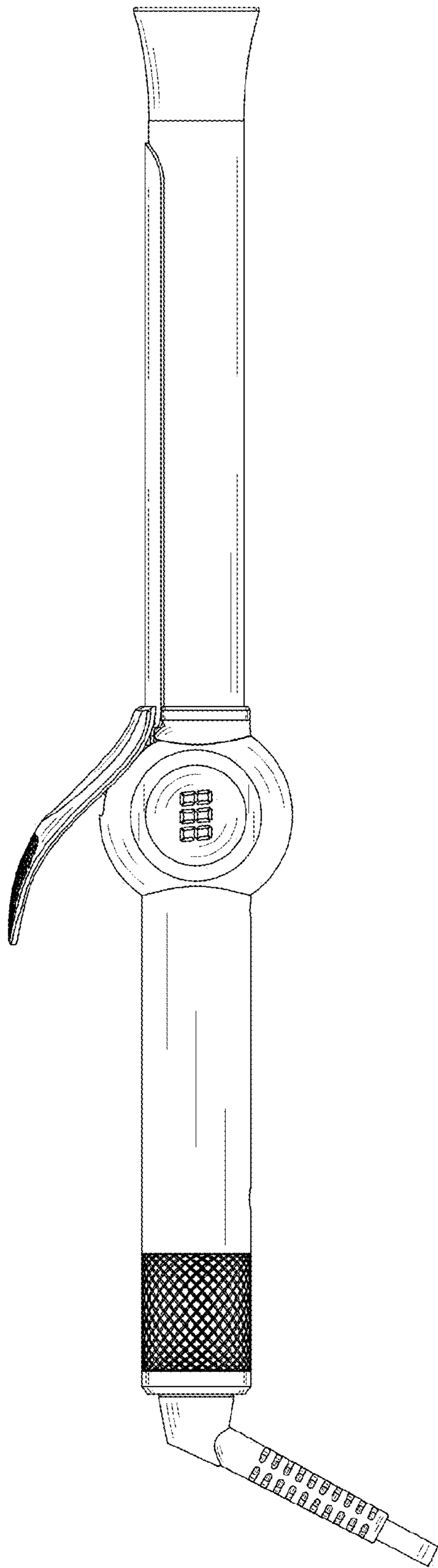


FIG. 2

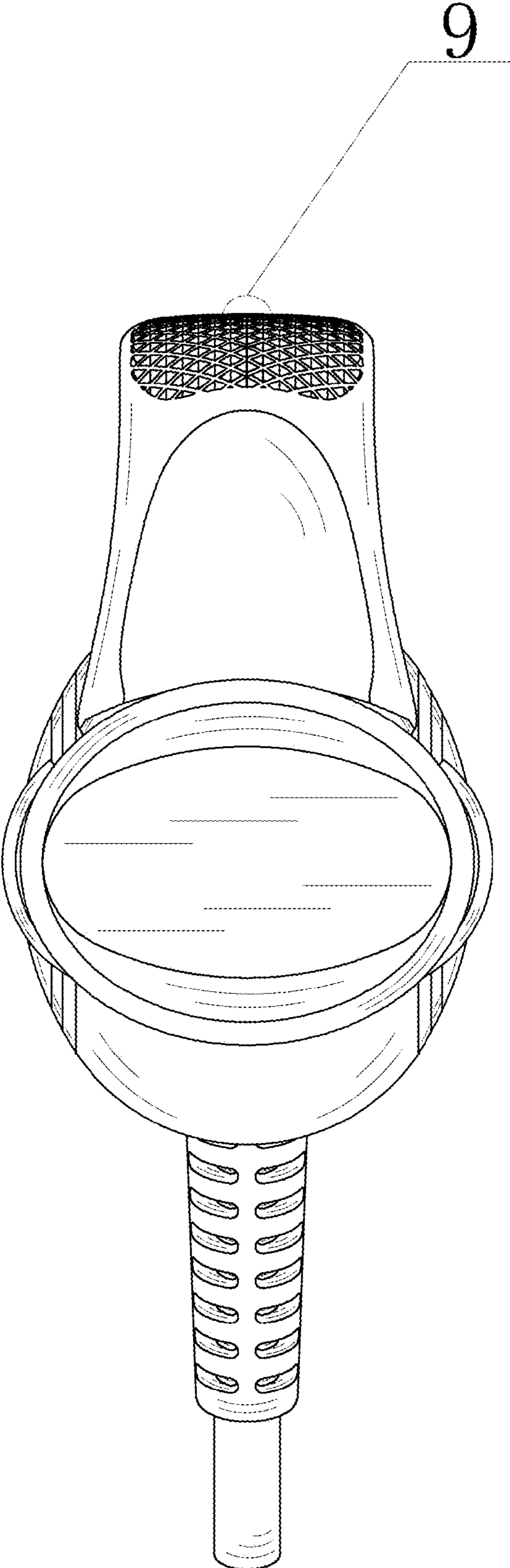


FIG. 3



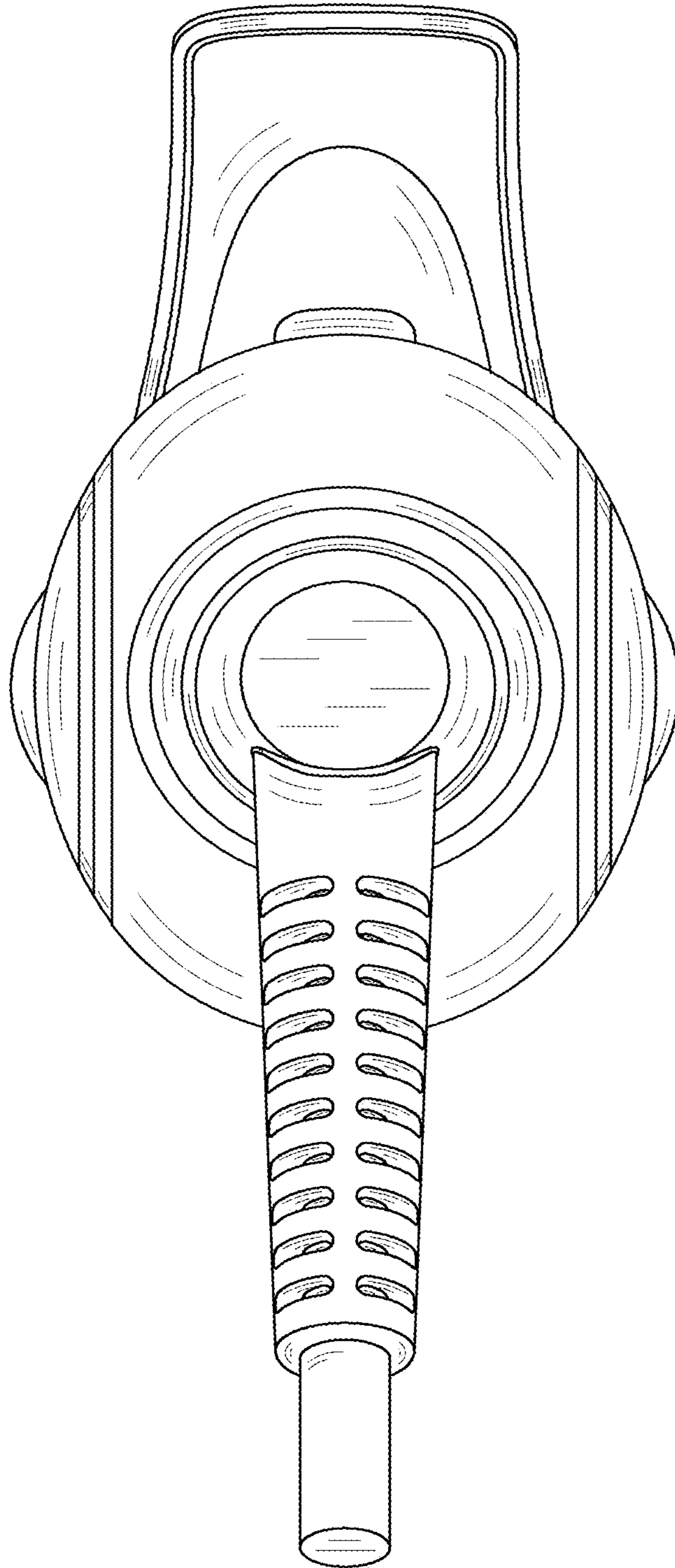


FIG. 4

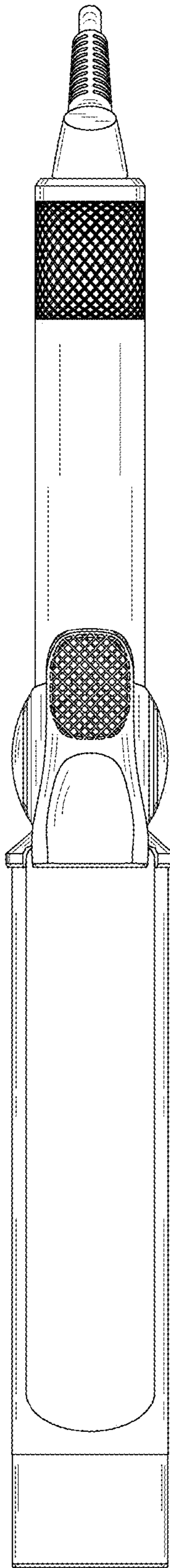


FIG. 5

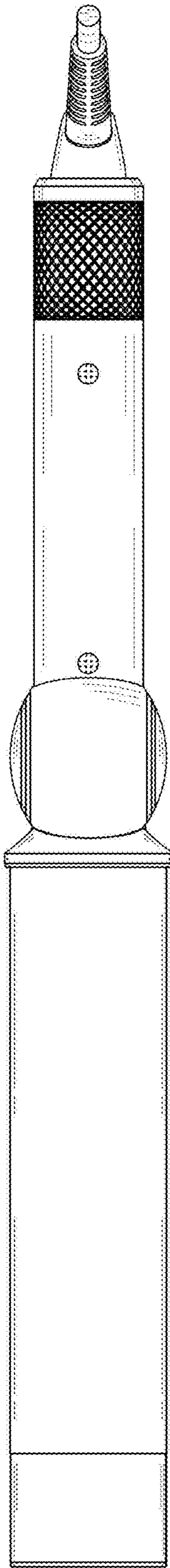


FIG. 6



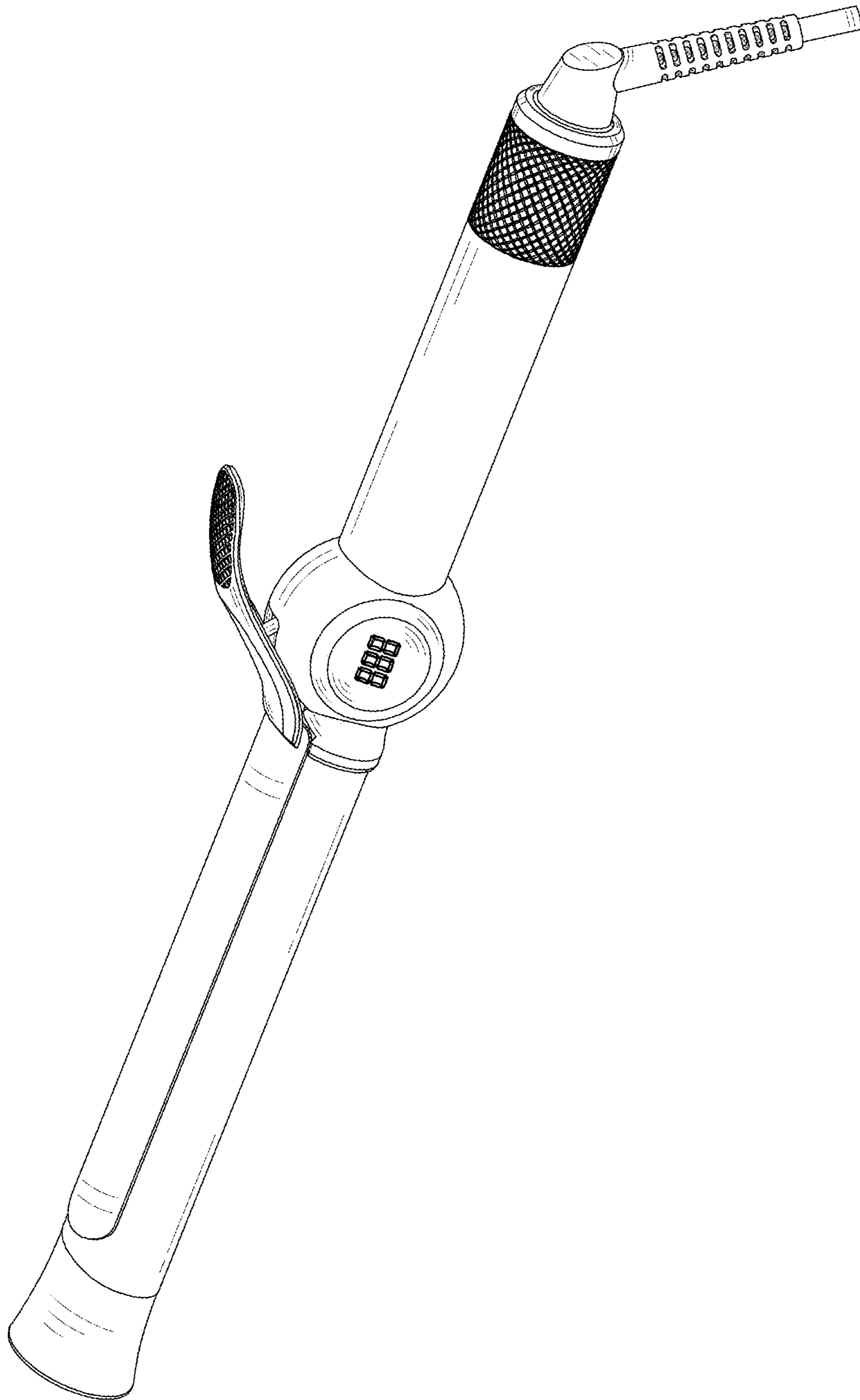


FIG. 7

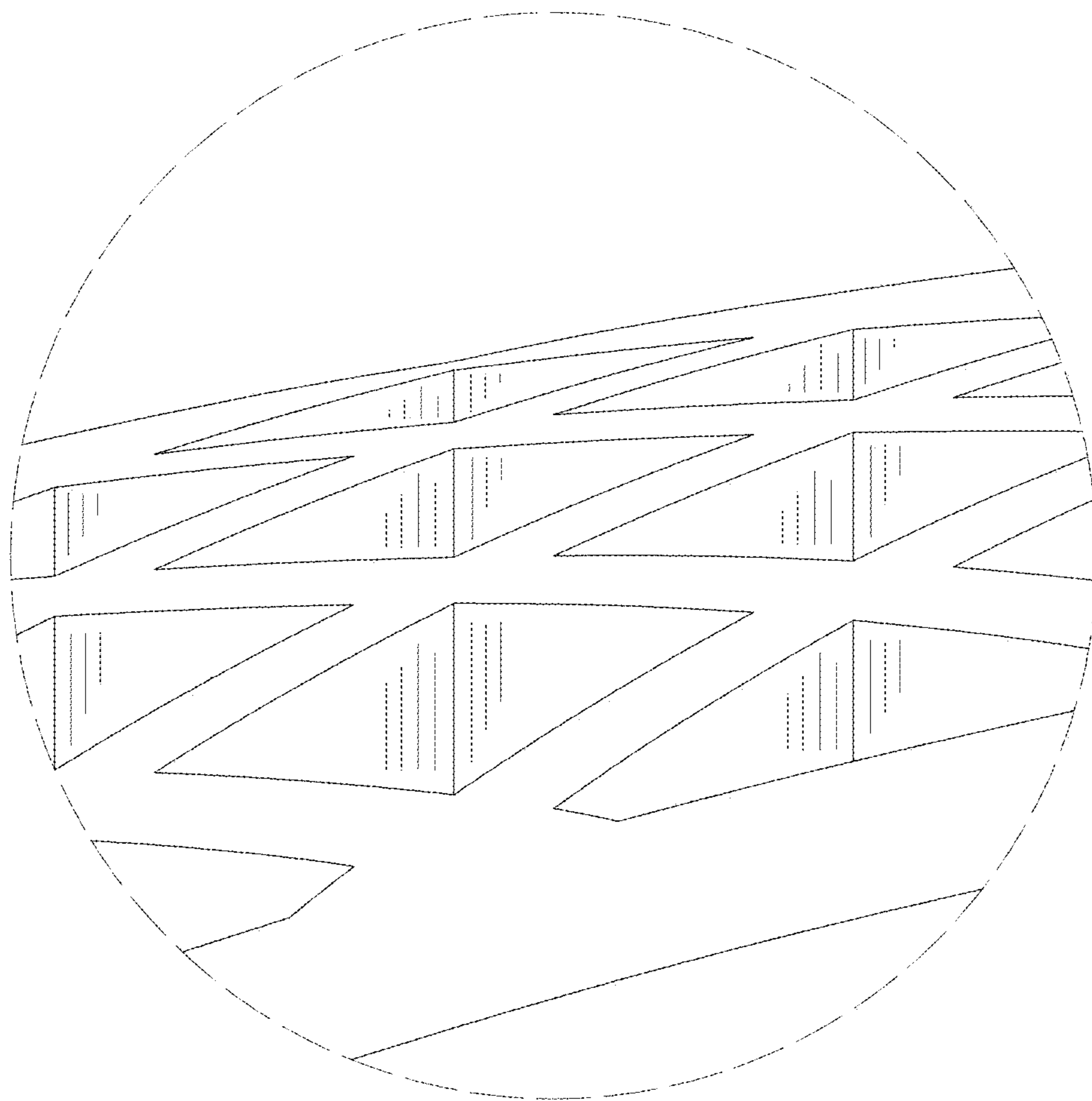


FIG. 8

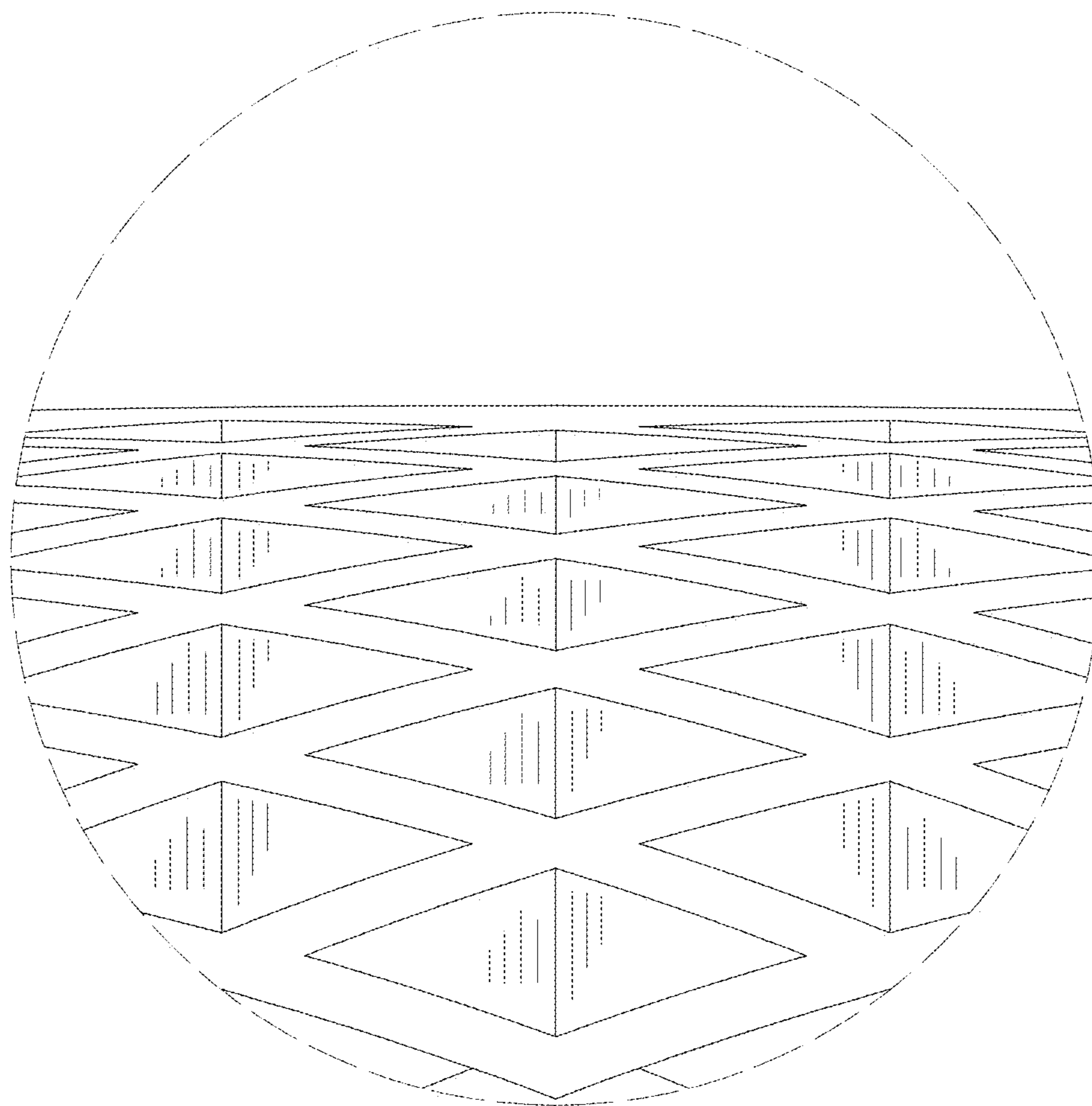


FIG. 9

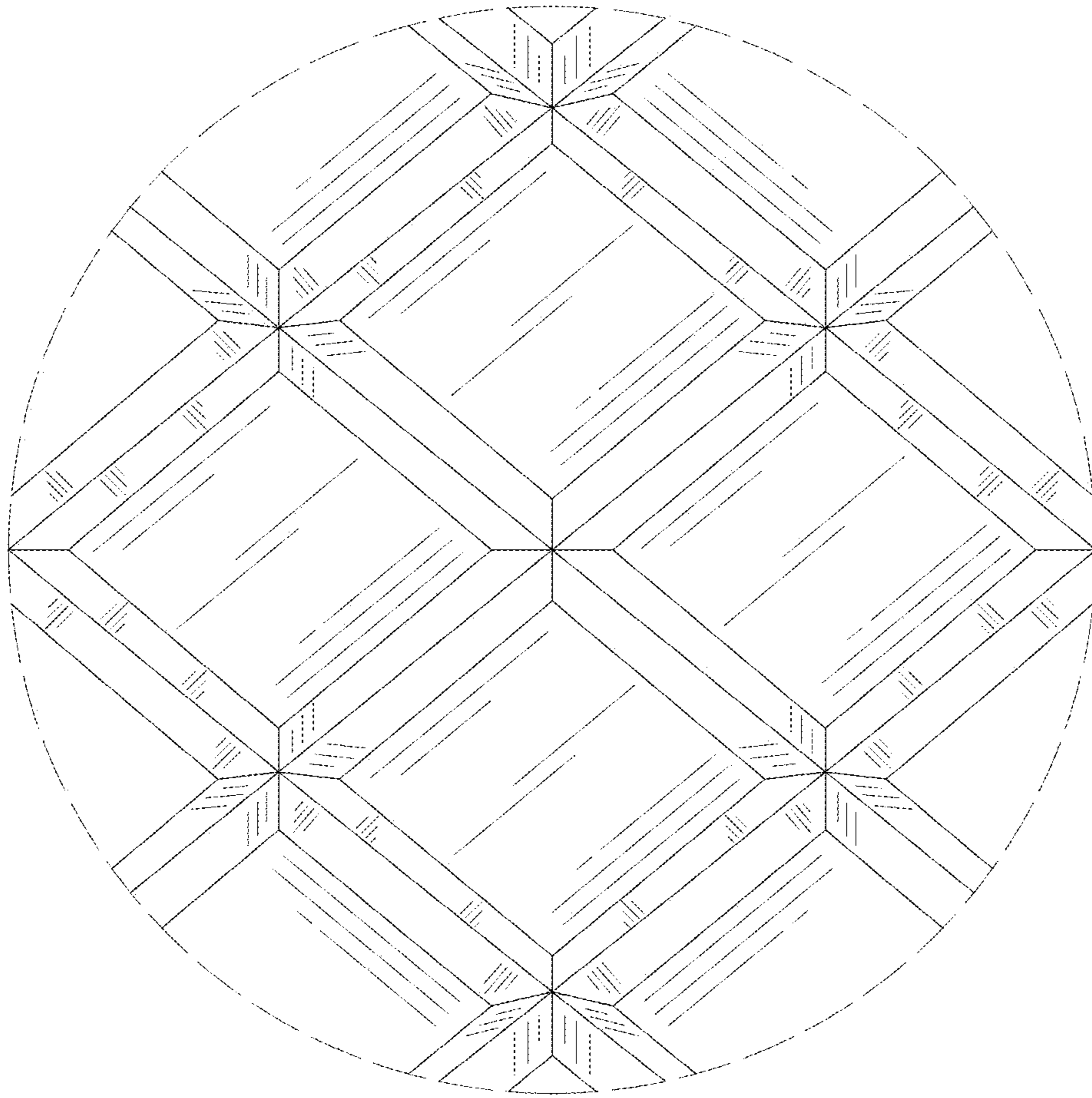


FIG. 10