



US00D915668S

(12) **United States Design Patent** (10) **Patent No.:** **US D915,668 S**  
**Zhou et al.** (45) **Date of Patent:** **\*\* Apr. 6, 2021**

(54) **HAIR DRYER**  
(71) Applicant: **Beijing Xiaomi Mobile Software Co., Ltd.**, Beijing (CN)

D257,492 S \* 11/1980 Cousins ..... D28/13  
D386,815 S \* 11/1997 Muller ..... D28/13  
D546,501 S 7/2007 Fukasawa et al.  
D716,492 S \* 10/2014 Dyson ..... A45D 20/12  
D28/13  
D757,362 S \* 5/2016 Dyson ..... D28/13  
9,414,662 B2 \* 8/2016 Moloney ..... A45D 20/10

(72) Inventors: **Tuo Zhou**, Beijing (CN); **Ningning Li**, Beijing (CN); **Lei Zhang**, Beijing (CN)

(73) Assignee: **Beijing Xiaomi Mobile Software Co., Ltd.**, Beijing (CN)

FOREIGN PATENT DOCUMENTS

(\*\*) Term: **15 Years**

CN 302884506 S 7/2014  
CN 302884507 S 7/2014  
CN 303129418 S 3/2015

(21) Appl. No.: **35/506,880**

(Continued)

(22) Filed: **Dec. 7, 2018**

OTHER PUBLICATIONS

(80) **Hague Agreement Data**

Indian Patent Office, Office Action Issued in Application No. 312896-001, dated Jan. 15, 2019, 10 pages.

Int. Filing Date: **Dec. 7, 2018**  
Int. Reg. No.: **DM/200269**  
Int. Reg. Date: **Dec. 7, 2018**  
Int. Reg. Pub. Date: **Jun. 14, 2019**

(Continued)

*Primary Examiner* — George D. Kirschbaum  
*Assistant Examiner* — Samantha N Wood  
(74) *Attorney, Agent, or Firm* — Syncoda LLC; Feng Ma

(30) **Foreign Application Priority Data**

(57) **CLAIM**

Jun. 7, 2018 (CN) ..... 201830285505.6

The ornamental design for a hair dryer, as shown and described.

(51) **LOC (13) Cl.** ..... **28-03**

(52) **U.S. Cl.**  
USPC ..... **D28/13**

**DESCRIPTION**

(58) **Field of Classification Search**  
USPC ..... D28/9, 12-16, 18, 24, 25, 99; D8/14.1, D8/29.1, 29.2, 45; D7/376, 379, 380  
CPC ..... A45D 20/00; A45D 20/04; A45D 20/06; A45D 20/08; A45D 20/10  
See application file for complete search history.

**1.1** is a front view of a hair dryer showing our new design;  
**1.2** is a back view thereof;  
**1.3** is a left view thereof;  
**1.4** is a right view thereof;  
**1.5** is a top view thereof; and  
**1.6** is a bottom view thereof.

(56) **References Cited**

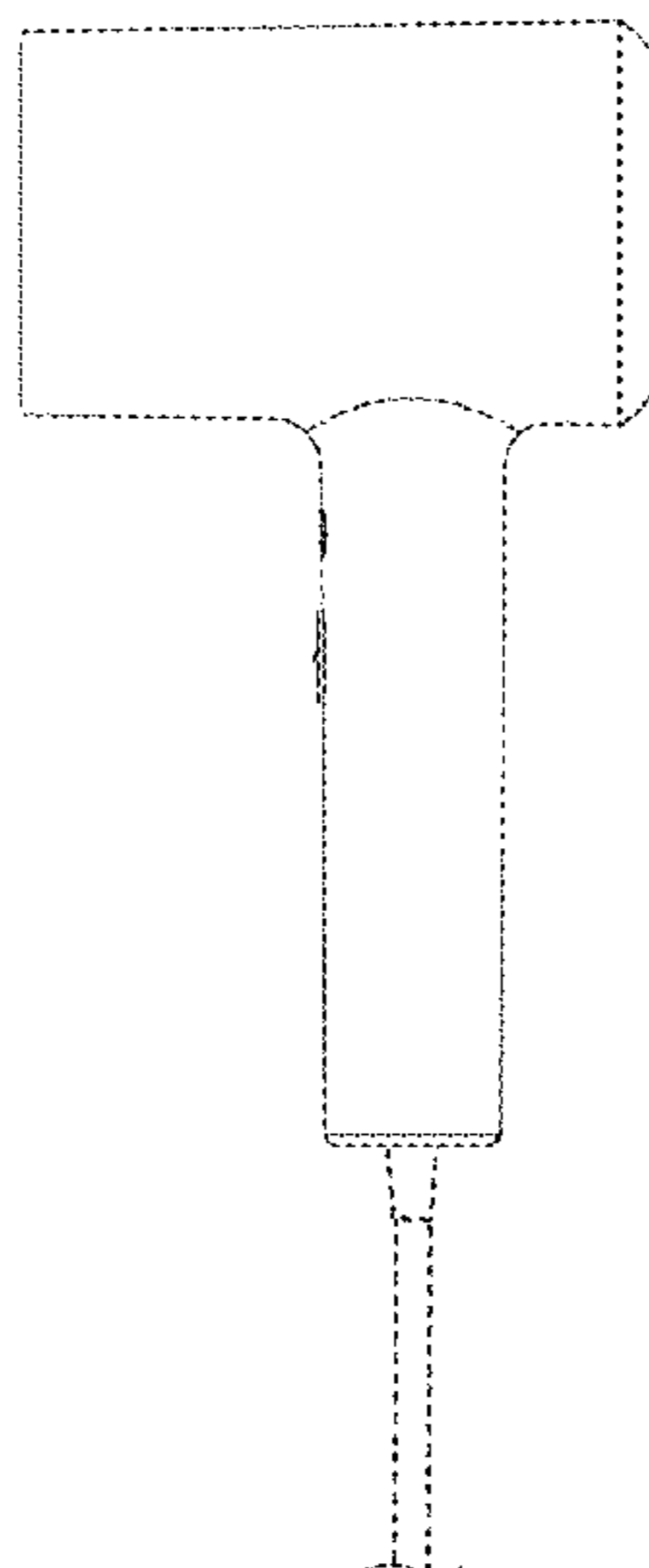
The broken lines in the drawings are for the purpose of illustrating portions of the hair dryer that form no part of the claimed design.

U.S. PATENT DOCUMENTS

The portions of the hair dryer shaded in a transparent color in the drawings form no part of the claimed design.

3,142,052 A \* 7/1964 Tambert ..... F21L 13/06  
340/321  
D248,048 S \* 5/1978 Cousins ..... D28/13

**1 Claim, 6 Drawing Sheets**



(56)

**References Cited**

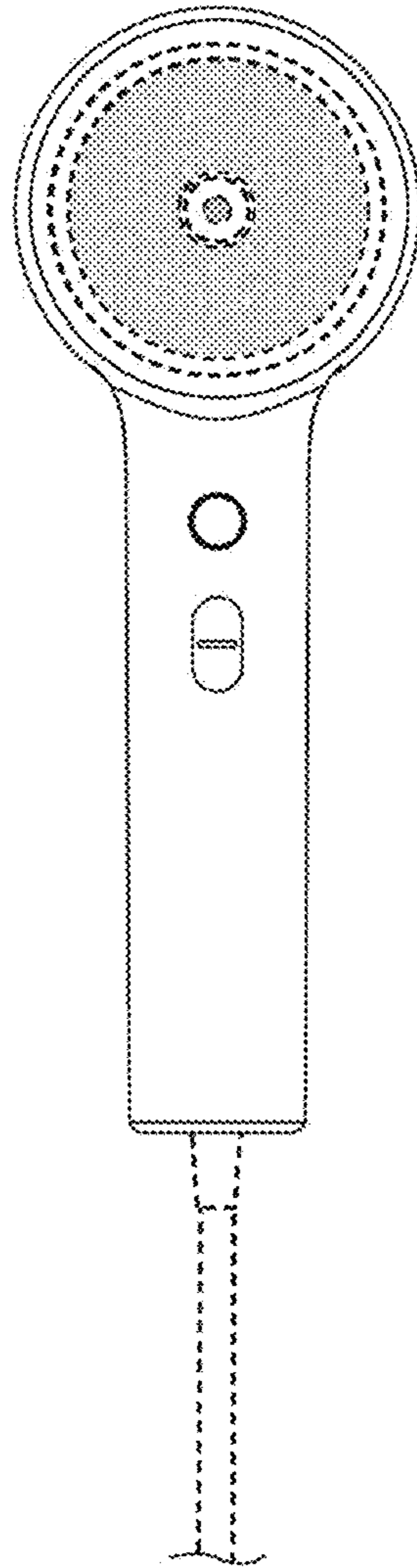
FOREIGN PATENT DOCUMENTS

CN	303129421	S	3/2015
CN	303535385	S	12/2015
CN	303953683	S	11/2016
CN	201730391774	* S	8/2017
CN	304272309	S	9/2017
CN	304272320	S	9/2017
CN	304580199	S	4/2018
CN	304667470	S	6/2018
JP	1373181	S	11/2009
JP	D2013-4957	* S	3/2013
JP	1509085	S	10/2014
KR	3004925580001	S	5/2008
WO	DM067732-0001	S	10/2006

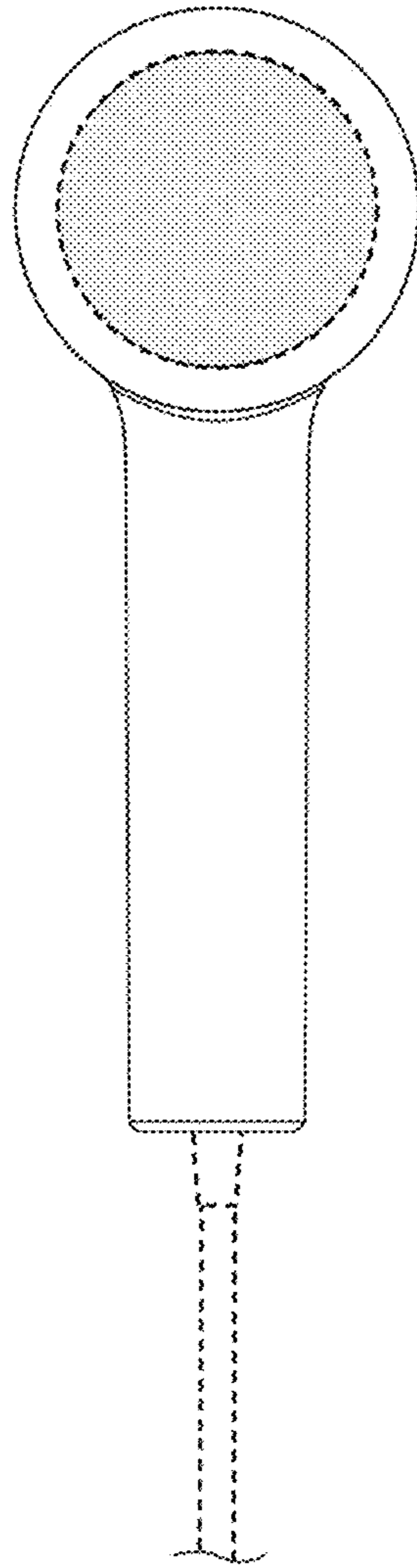
OTHER PUBLICATIONS

State Intellectual Property Office of the People's Republic of China,  
Evaluation Report of Design Patent Issued in Application No.  
2018302855056, Jan. 1, 2020, 31 pages. (Submitted with Partial  
Translation).

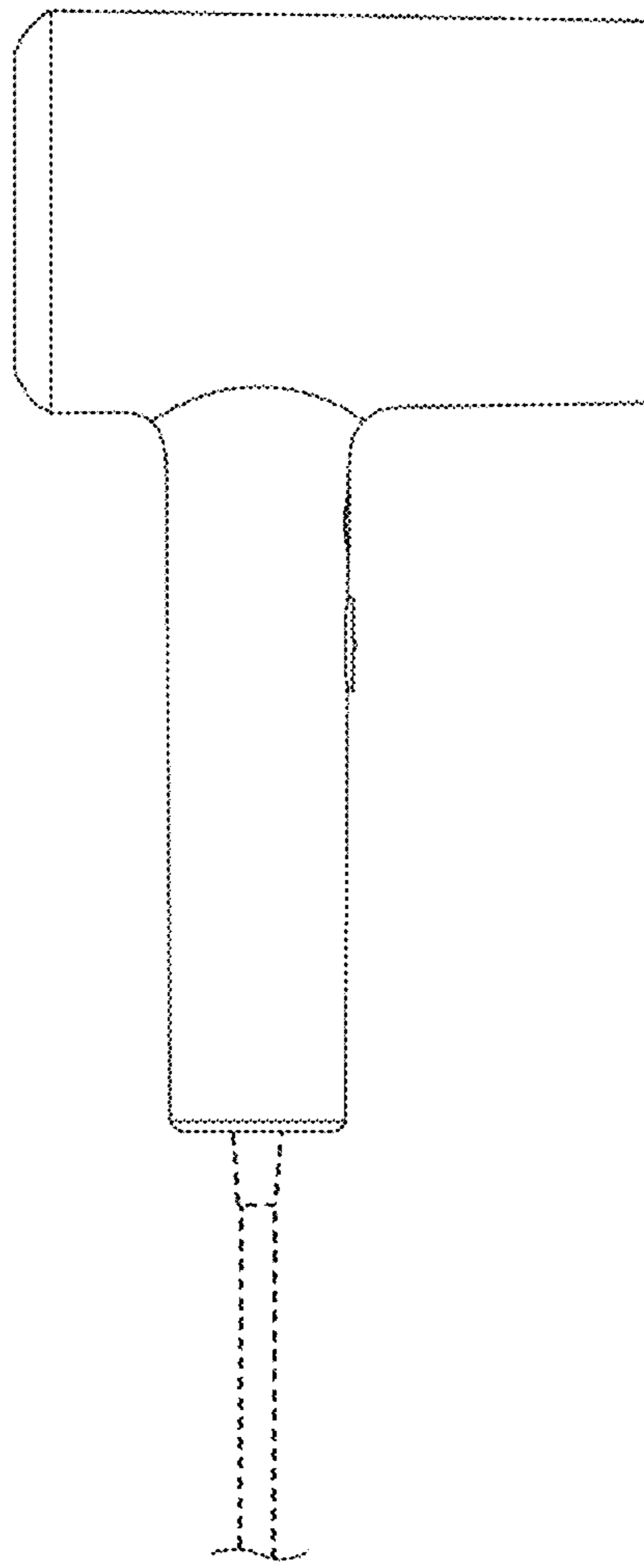
\* cited by examiner



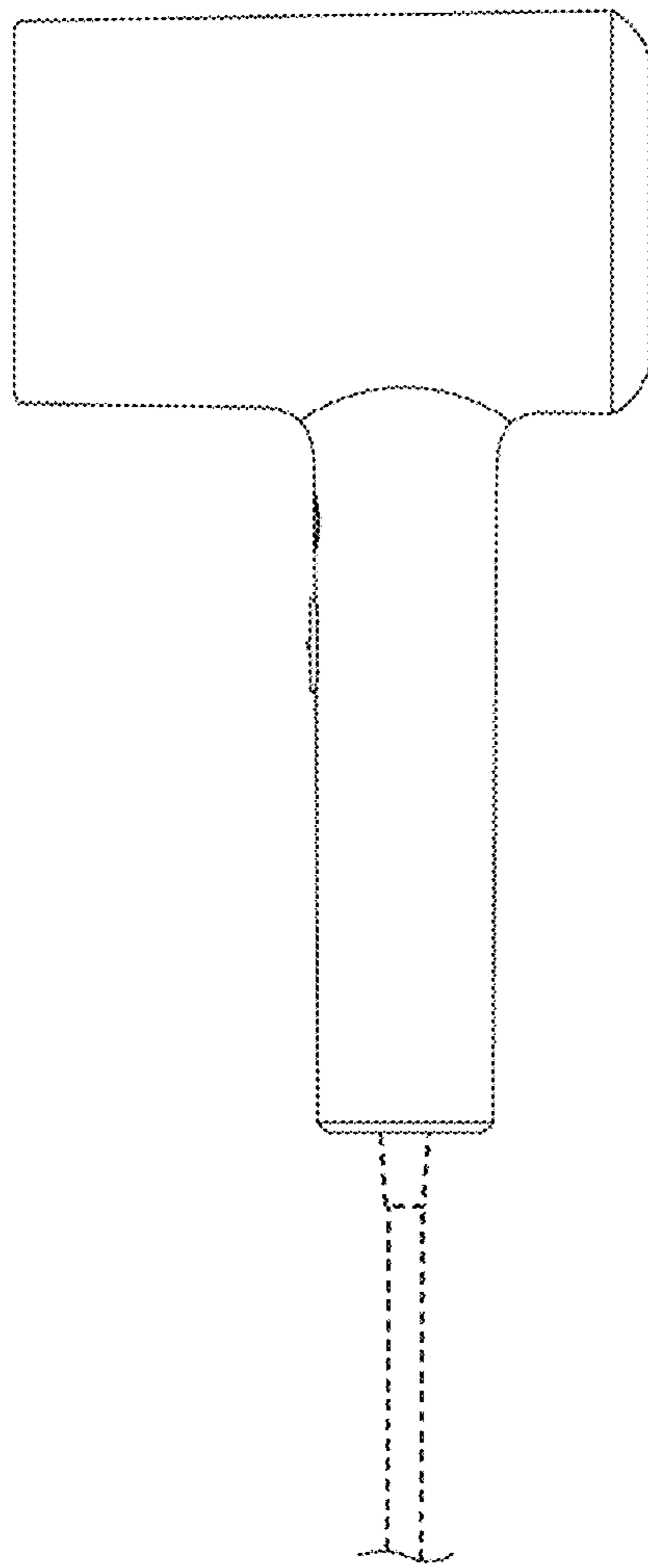
1.1



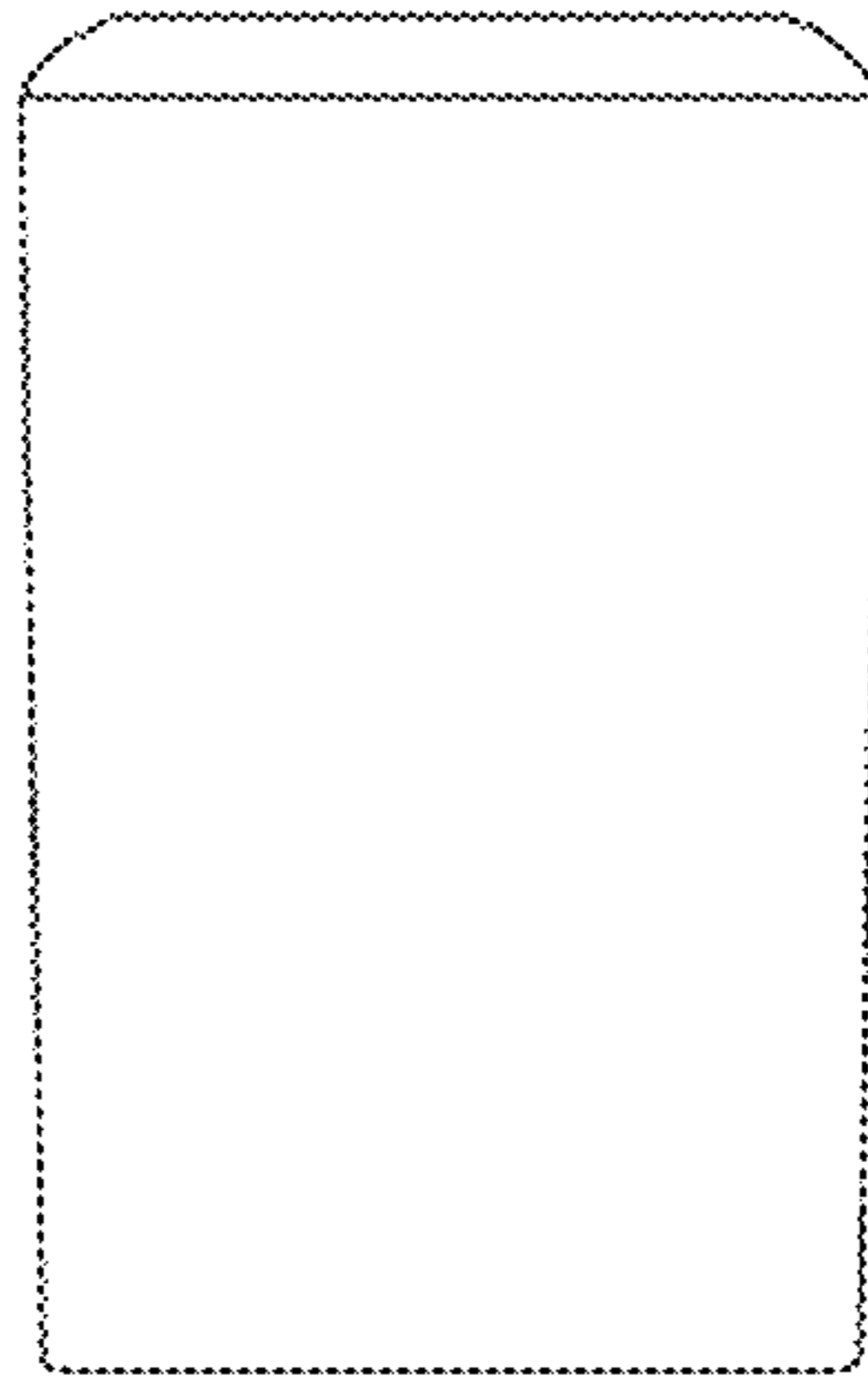
1.2



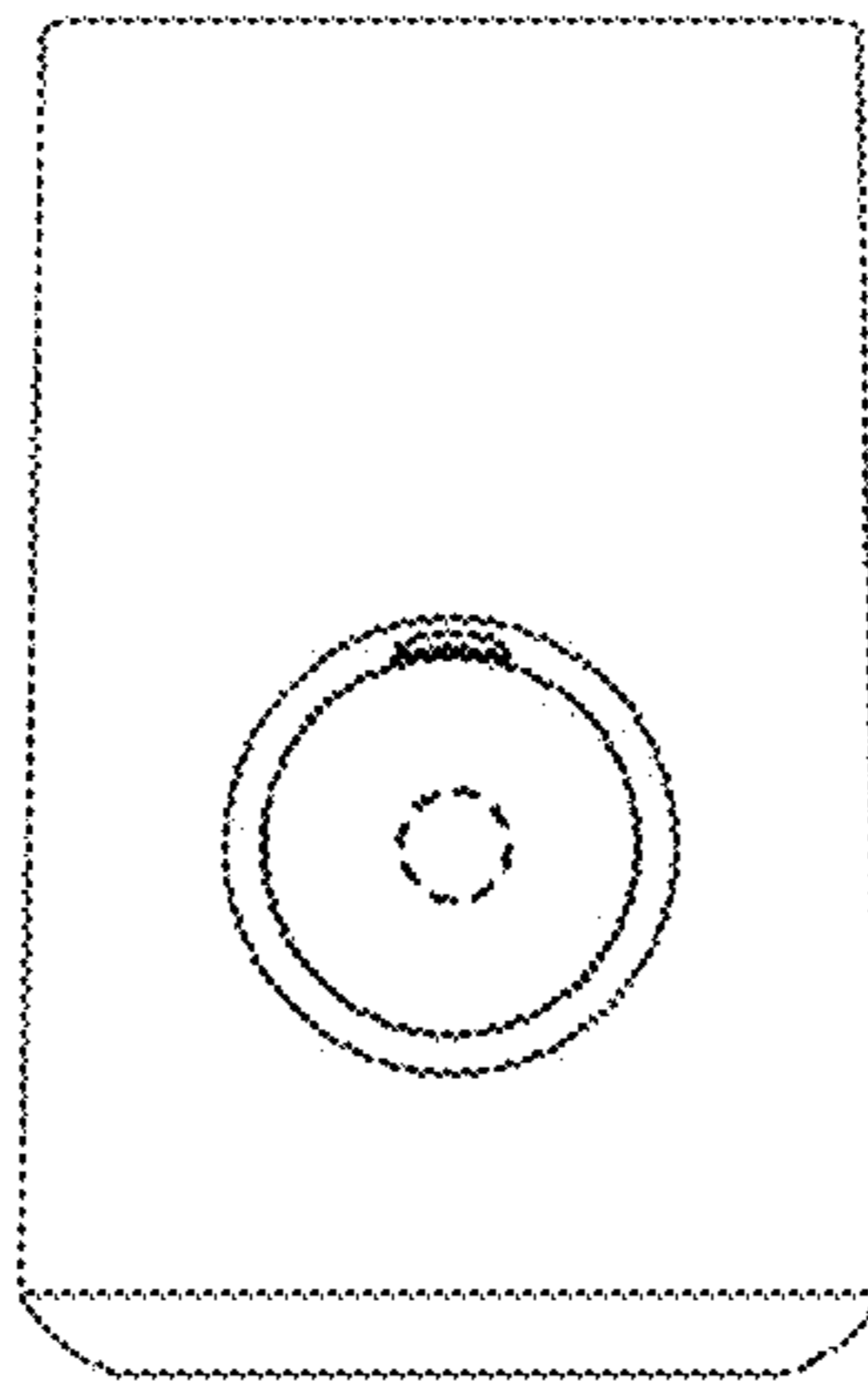
1.3



1.4



1.5



1.6