



US00D915667S

(12) **United States Design Patent**
Huang

(10) **Patent No.:** **US D915,667 S**

(45) **Date of Patent:** **** Apr. 6, 2021**

(54) **HAIR DRIER**

(71) Applicant: **Guangdong Huanengda Electrical appliances Co., LTD., Jieyang (CN)**

(72) Inventor: **Huaqun Huang, Jieyang (CN)**

(73) Assignee: **Guangdong Huanengda Electrical appliances Co., LTD., Jieyang (CN)**

(**) Term: **15 Years**

(21) Appl. No.: **29/719,121**

(22) Filed: **Dec. 31, 2019**

(30) **Foreign Application Priority Data**

Sep. 24, 2019 (CN) 201930524109.9

(51) **LOC (13) Cl.** **28-03**

(52) **U.S. Cl.**
USPC **D28/13**

(58) **Field of Classification Search**
USPC D28/12-19; D8/29.1
CPC A45D 20/00; A45D 20/04; A45D 20/06;
A45D 20/08; A45D 20/10; A45D 20/128;
F24H 3/0423; F24H 3/0488; F24H 3/002;
F24H 9/2071
See application file for complete search history.

(56) **References Cited**

U.S. PATENT DOCUMENTS

D528,698 S * 9/2006 Rizzuto, Jr. D28/13
D681,274 S * 4/2013 Huang D28/13

D788,978 S * 6/2017 Kim D28/13
D877,979 S * 3/2020 Huang D28/13
D901,765 S * 11/2020 Huang D28/13
D901,767 S * 11/2020 Huang D28/13

* cited by examiner

Primary Examiner — Zenia I Bennett

(74) *Attorney, Agent, or Firm* — Dragon Sun Law Firm, PC; Jinggao Li, Esq.

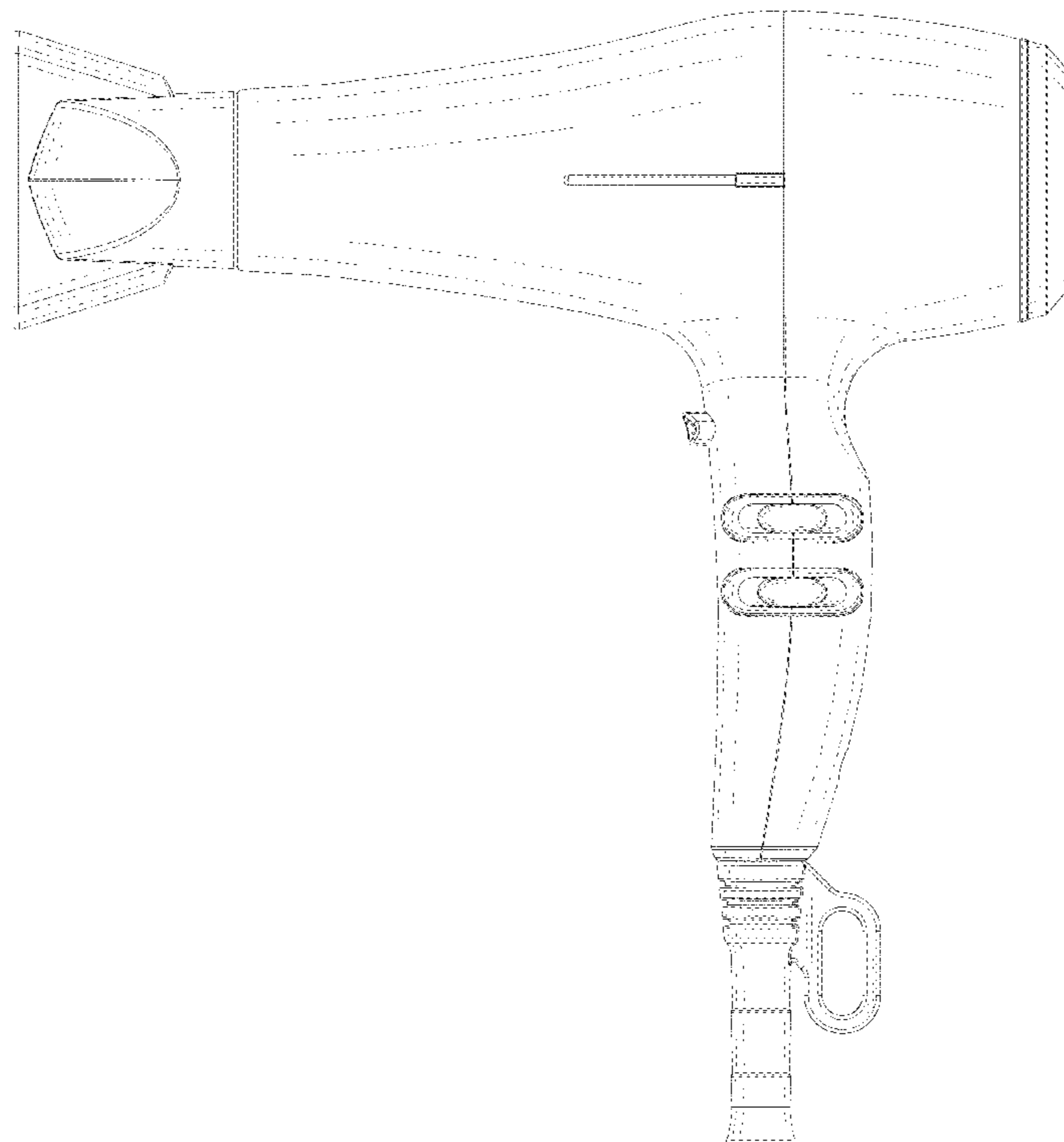
(57) **CLAIM**

The ornamental design for a hair drier, as shown and described.

DESCRIPTION

FIG. 1 is a perspective view of a hair drier showing my new design;
FIG. 2 is another perspective view thereof;
FIG. 3 is a front view thereof;
FIG. 4 is a rear view thereof;
FIG. 5 is a left side view thereof;
FIG. 6 is a right side view thereof;
FIG. 7 is a top plan view thereof;
FIG. 8 is a bottom plan view thereof; and,
FIG. 9 is a partially enlarged view of FIG. 6.
The broken lines in the drawings illustrate portions of the hair drier and form no part of the claimed design.

1 Claim, 9 Drawing Sheets



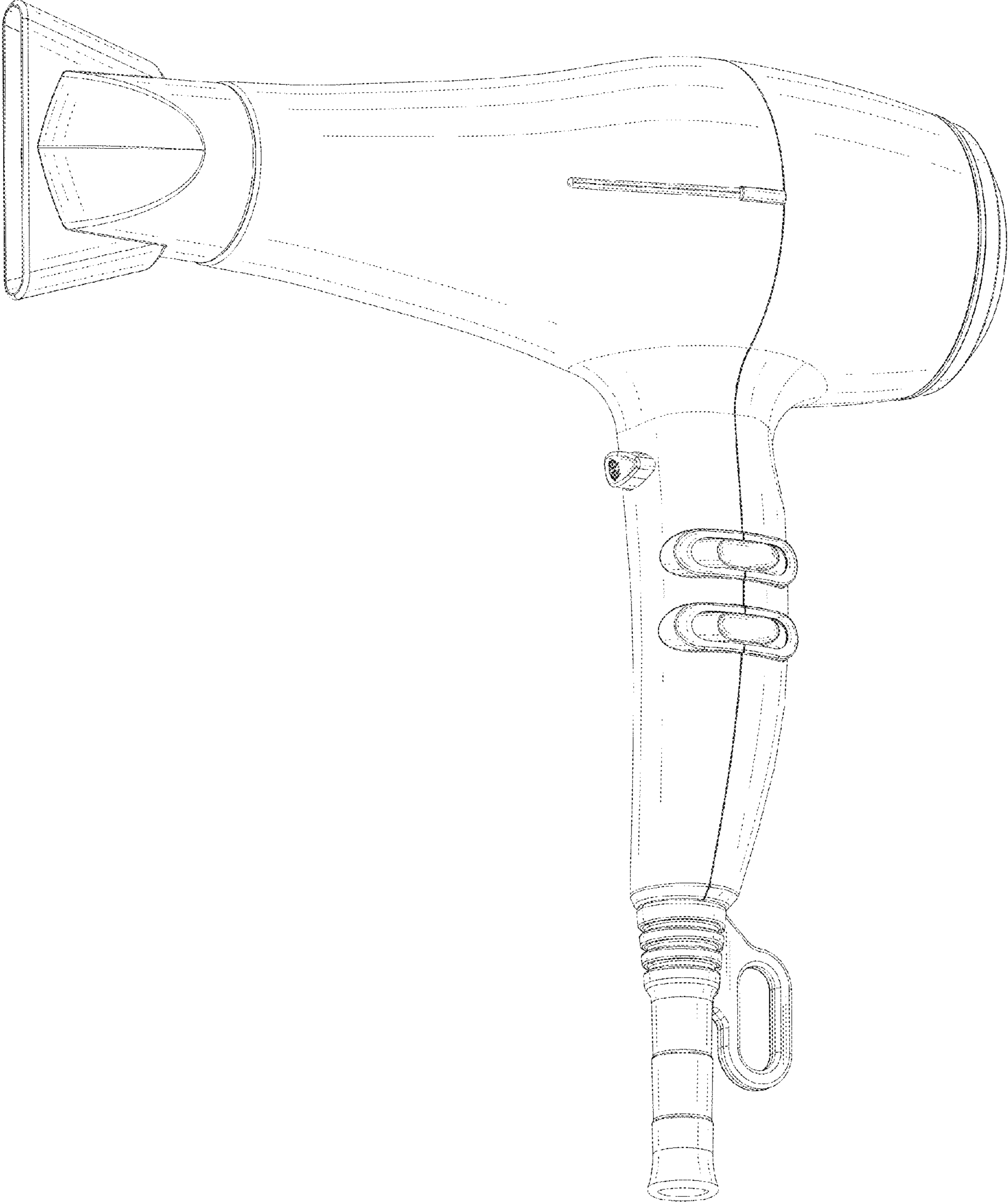


FIG. 1

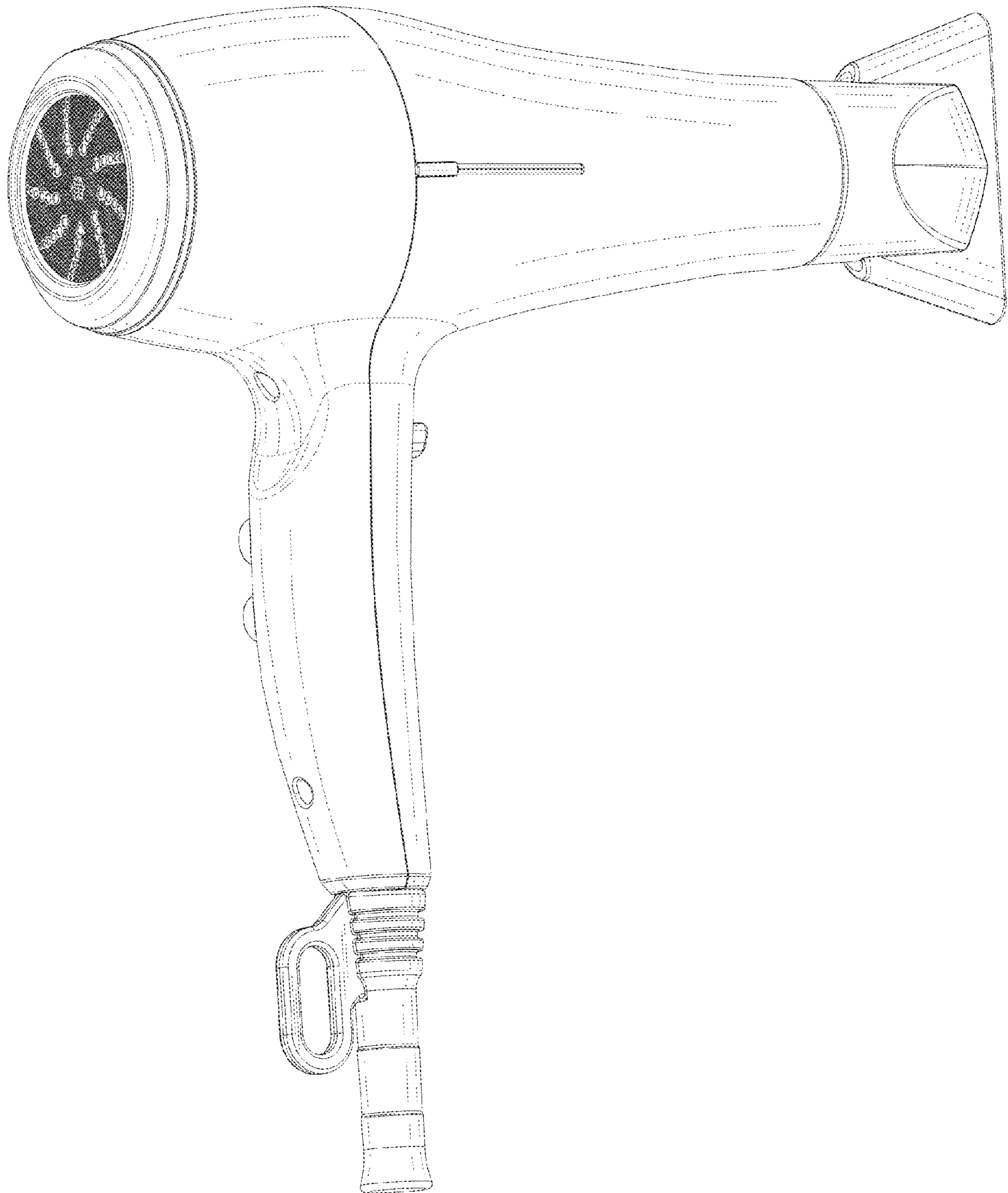


FIG. 2

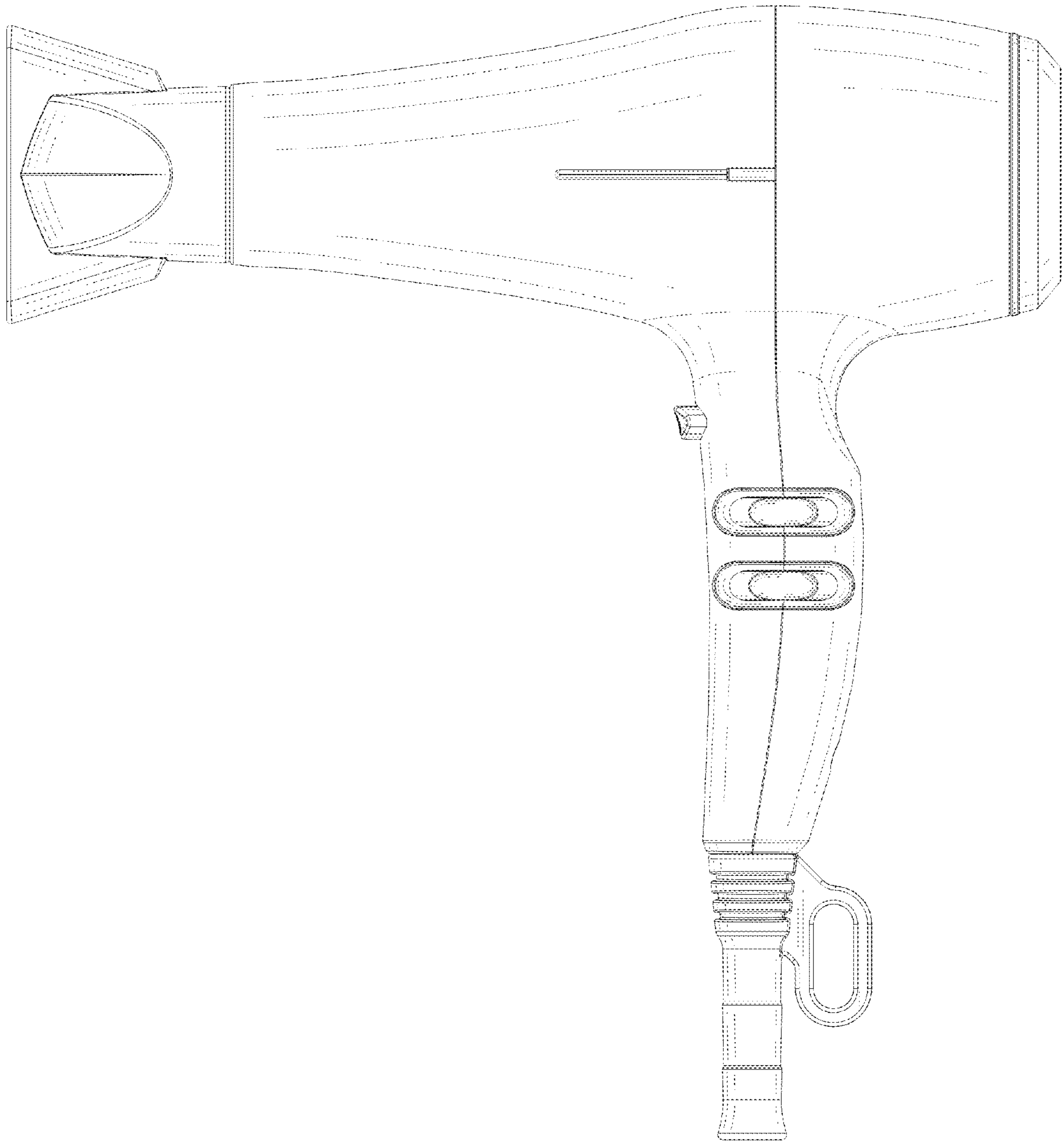


FIG. 3

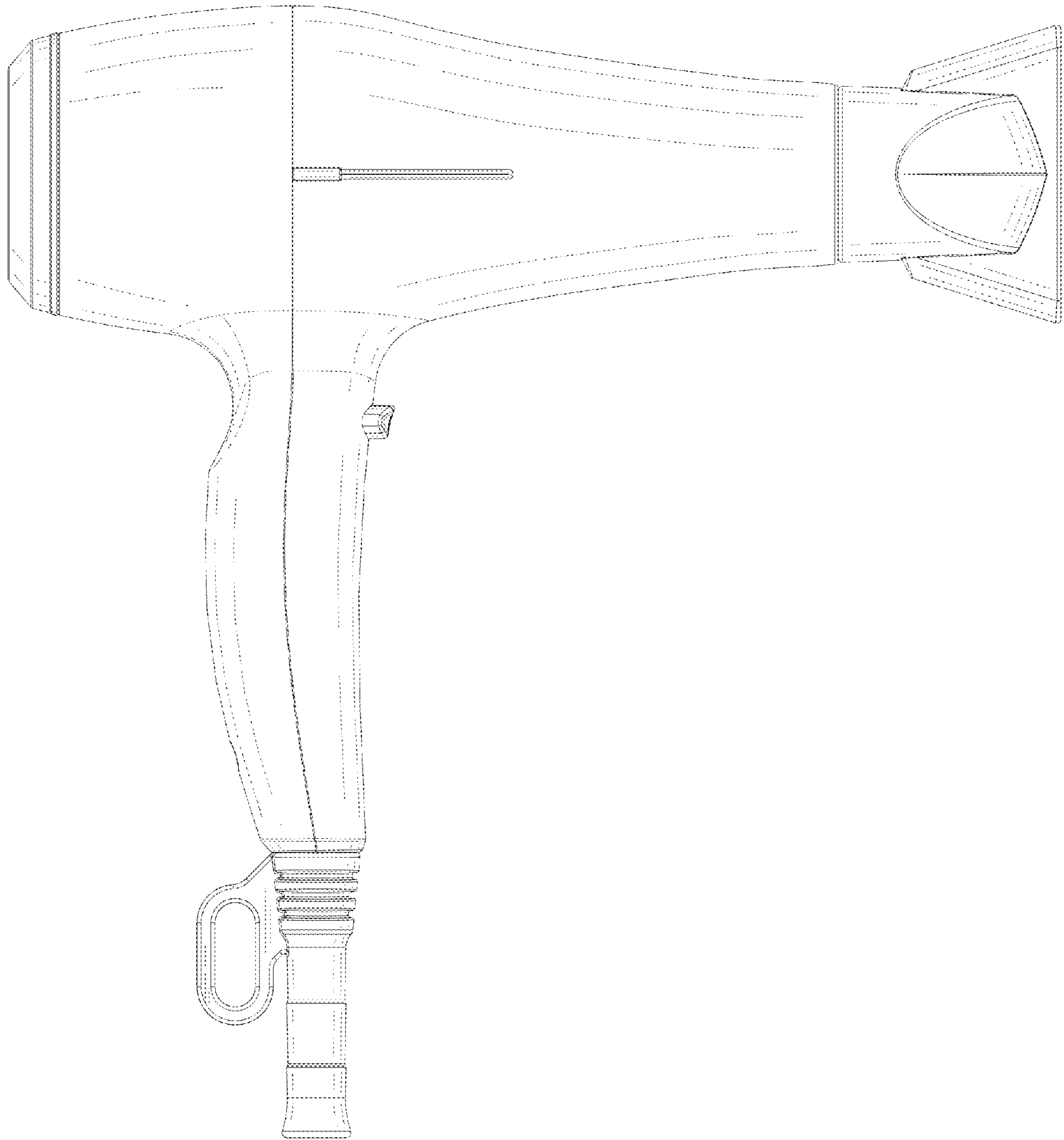


FIG. 4

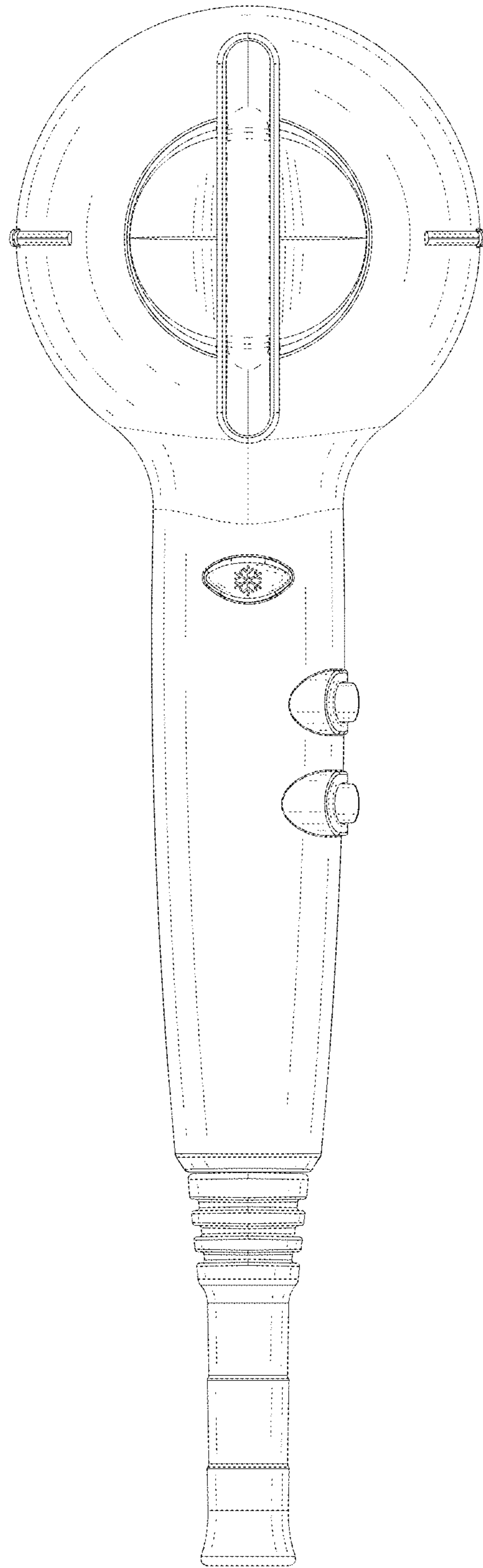


FIG. 5

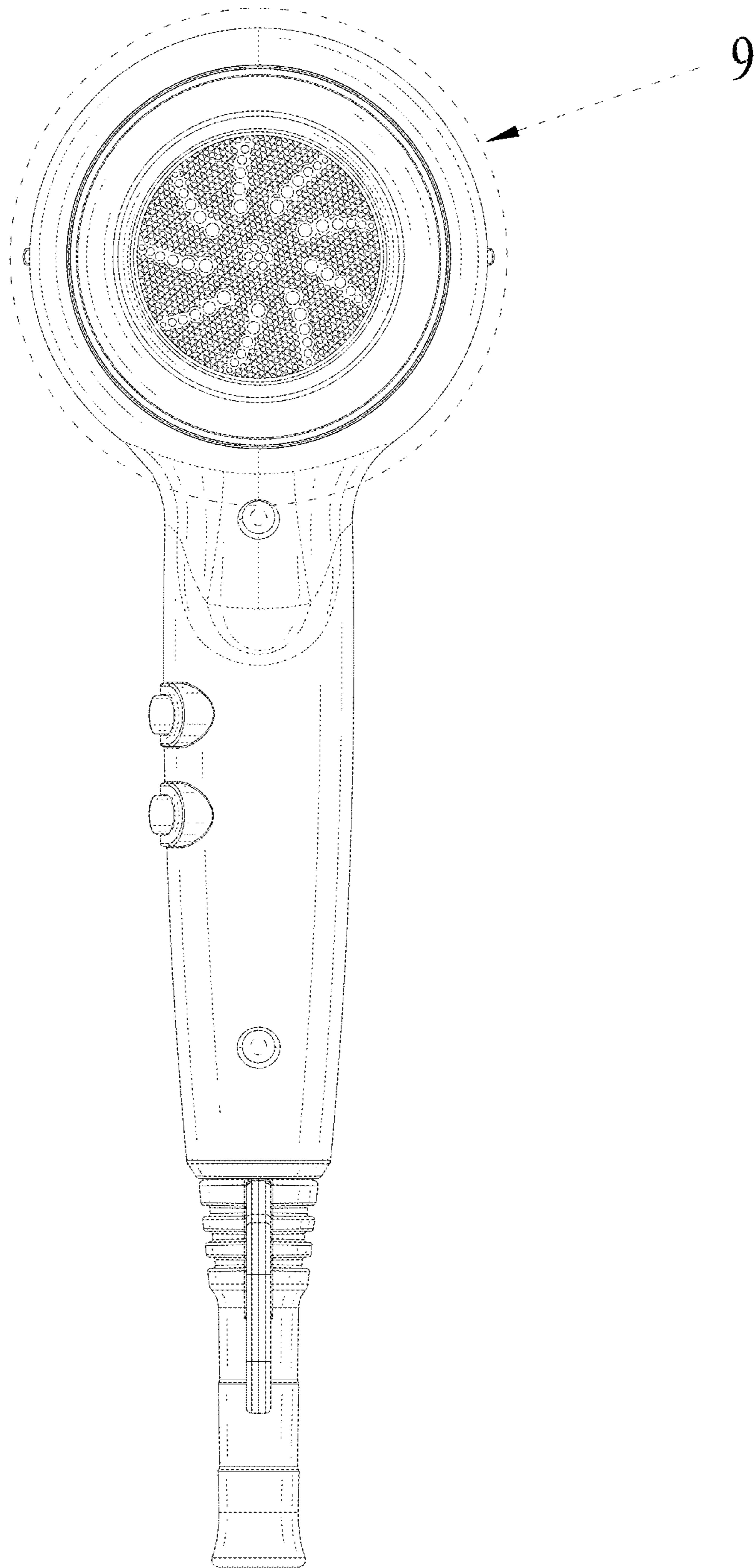


FIG. 6

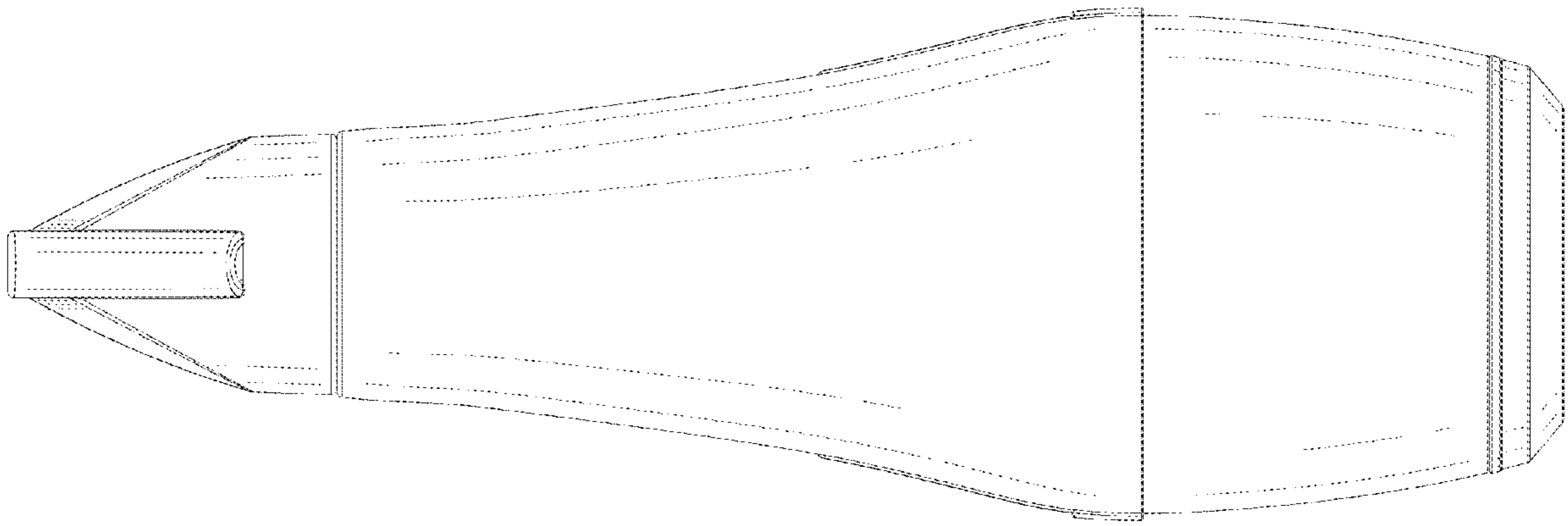


FIG. 7

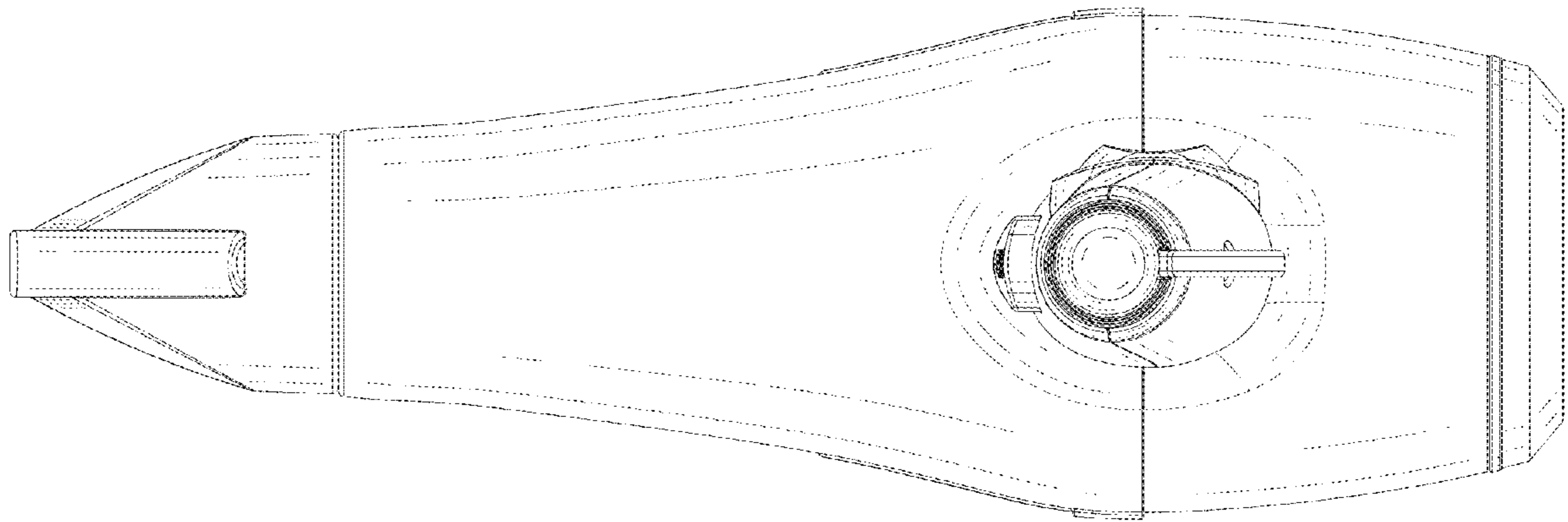


FIG. 8

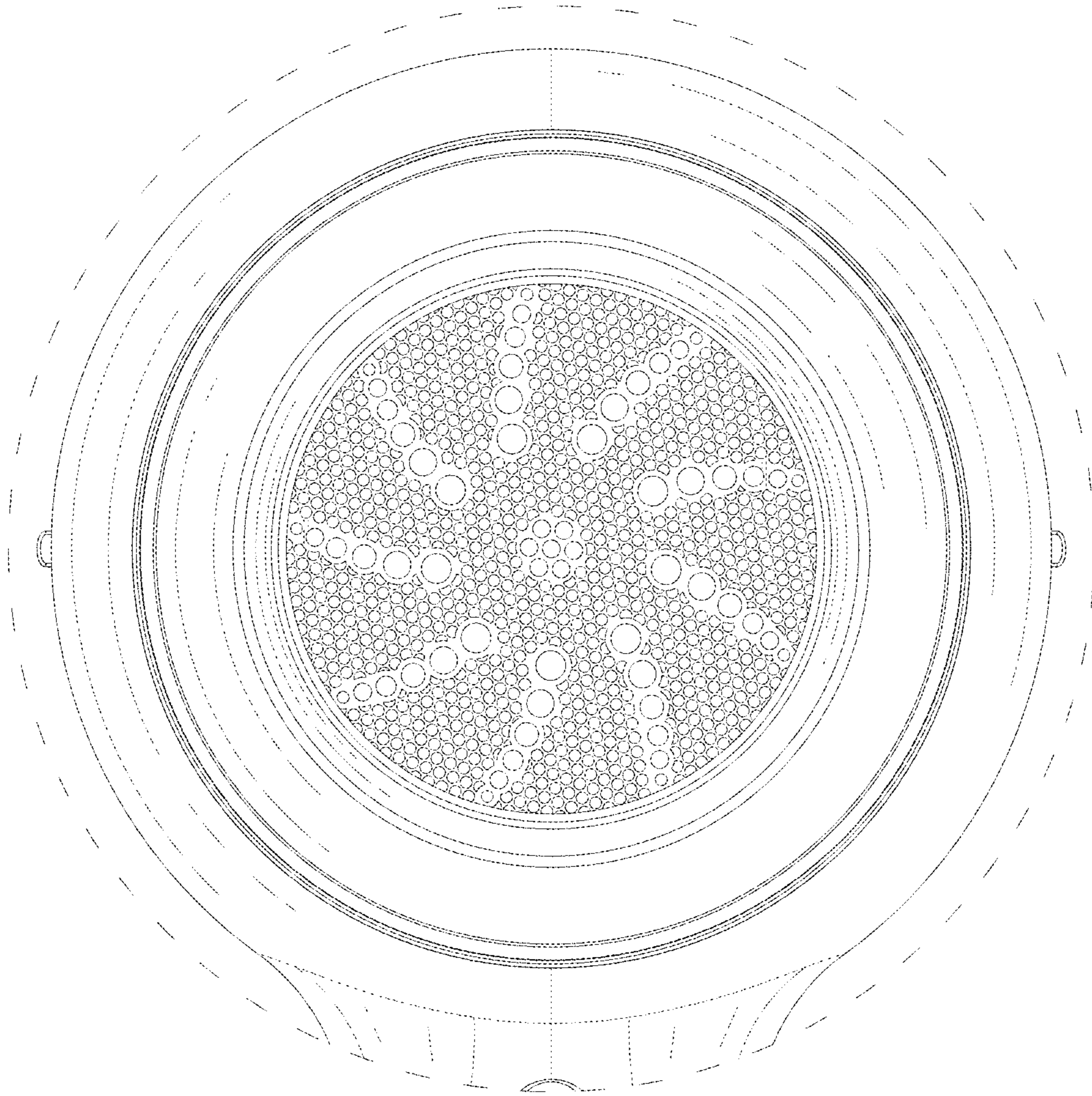


FIG. 9