



US00D915660S

(12) **United States Design Patent** (10) **Patent No.:** **US D915,660 S**
Civelekoglu et al. (45) **Date of Patent:** **** Apr. 6, 2021**

(54) **LAMP ASSEMBLY**

(71) Applicant: **Casper Sleep Inc.**, New York, NY (US)
(72) Inventors: **Defne Civelekoglu**, San Francisco, CA (US); **Gen Suzuki**, Kanagawa (JP); **Jordan Lay**, San Francisco, CA (US); **Shail Shah**, Oakland, CA (US)
(73) Assignee: **CASPER SLEEP INC.**, New York, NY (US)

(**) Term: **15 Years**

(21) Appl. No.: **29/731,251**

(22) Filed: **Apr. 14, 2020**

Related U.S. Application Data

(62) Division of application No. 29/667,664, filed on Oct. 23, 2018, now Pat. No. Des. 885,640.

(51) **LOC (13) Cl.** **26-05**

(52) **U.S. Cl.**
USPC **D26/104**

(58) **Field of Classification Search**
USPC D26/5, 24, 36, 72, 113, 118, 119, 120, D26/123, 124, 128; D10/114.1, 114.3;
(Continued)

(56) **References Cited**

U.S. PATENT DOCUMENTS

1,893,548 A 1/1933 Hardy
2,032,248 A 2/1936 Bins
(Continued)

FOREIGN PATENT DOCUMENTS

CN 201379320 1/2010
CN 102822224 12/2012
(Continued)

OTHER PUBLICATIONS

Canadian Patent Application No. 2,909,804, Office Action dated Oct. 18, 2019, 4 pages.

(Continued)

Primary Examiner — Wan Laymon
Assistant Examiner — Clint A Samuel

(74) *Attorney, Agent, or Firm* — Koffsky Schwalb LLC; Mark I. Koffsky

(57) **CLAIM**

The ornamental design for a lamp assembly as shown and described.

DESCRIPTION

FIG. 1 is a perspective view of a lamp assembly in accordance with the present invention, shown without its lamp for ease of illustration.

FIG. 2 is a top view thereof.

FIG. 3 is a bottom view thereof.

FIG. 4 is a front view thereof.

FIG. 5 is a rear view thereof.

FIG. 6 is a left view thereof.

FIG. 7 is a right view thereof.

FIG. 8 is a perspective view of a lamp assembly in accordance with the present invention, shown without its lamp for ease of illustration.

FIG. 9 is a top view thereof.

FIG. 10 is a bottom view thereof.

FIG. 11 is a front view thereof.

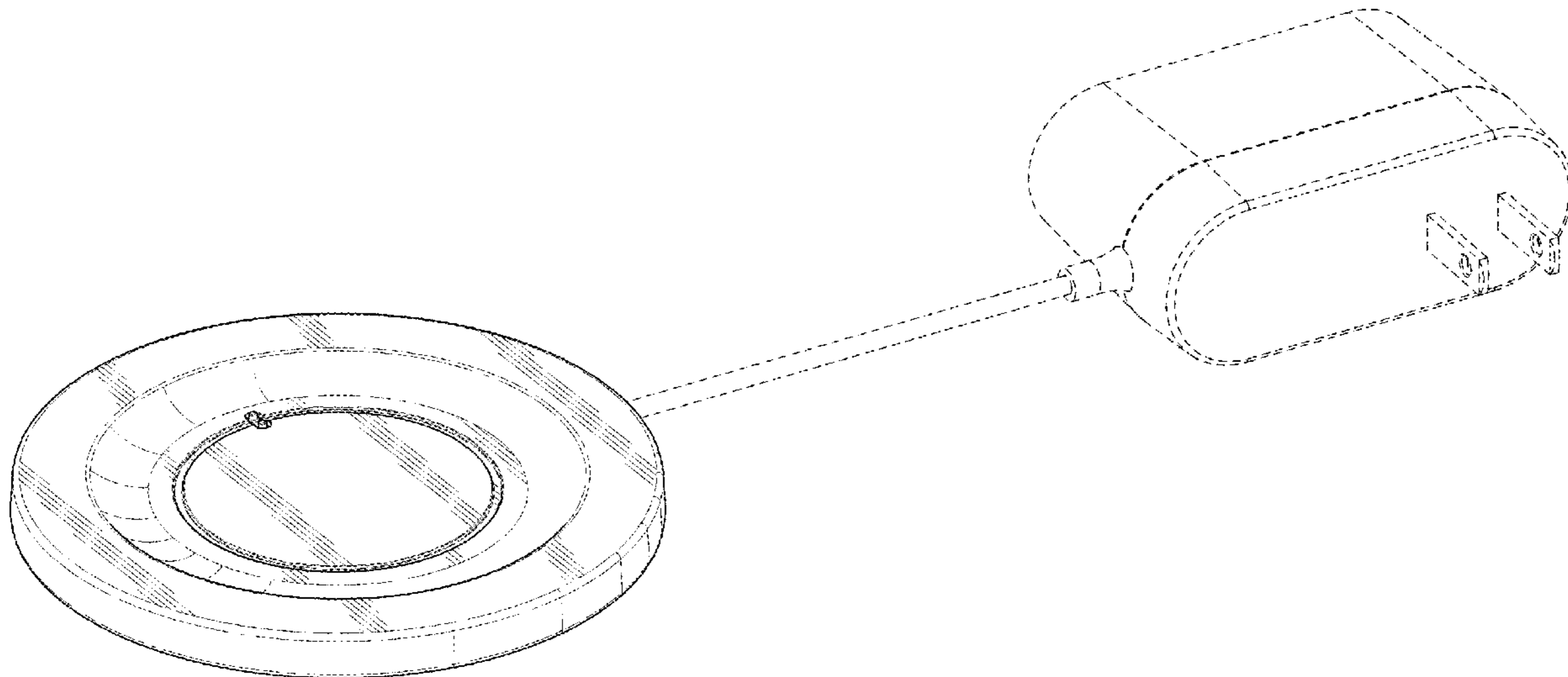
FIG. 12 is a rear view thereof.

FIG. 13 is a left view thereof; and,

FIG. 14 is a right view thereof.

The broken line define portion of a lamp assembly that forms no part of the claimed design.

1 Claim, 12 Drawing Sheets



US D915,660 S

(58) **Field of Classification Search**
USPC D8/333, 342, 344, 346, 349, 352, 367;
362/183
CPC F21V 15/01; F21V 15/02; F21V 15/012;
F21V 1/00; F21V 1/12; F21V 1/14; F21V
1/143; F21V 3/00; F21V 3/02; F21V
3/0625; F21V 17/00; F21V 17/18; F21V
17/104; F21V 13/08; F21S 6/005
See application file for complete search history.

(56) **References Cited**

U.S. PATENT DOCUMENTS

D107,880 S	1/1938	Marsack	D724,254 S	3/2015	Sun	
2,399,235 A	4/1946	Leslie	D725,832 S	3/2015	Coulter	
2,399,625 A	4/1946	Leslie	D728,271 S	5/2015	Cohen	
3,400,413 A	9/1968	La Grossa	D731,209 S	6/2015	Fux	
D256,734 S	9/1980	Riley	D735,133 S *	7/2015	Reishus	D13/108
4,542,547 A	9/1985	Sato	9,085,125 B2	7/2015	Gesquière	
D301,412 S	6/1989	Duvivier	D736,537 S	8/2015	Grossman	
4,964,184 A	10/1990	Lewis	9,119,478 B2	9/2015	Defranks	
5,010,843 A	4/1991	Henry	D740,750 S *	10/2015	Mayden	D13/108
5,023,967 A	6/1991	Ferrand	D747,267 S *	1/2016	Aumiller	D13/108
5,023,970 A	6/1991	Tesch	D747,899 S	1/2016	Klein	
5,219,307 A	6/1993	Morrison	9,259,099 B1	2/2016	Larsen	
5,291,625 A	3/1994	Leslie	D766,017 S	9/2016	Jensen	
5,294,181 A	3/1994	Rose	D770,672 S	11/2016	Ju	
5,561,876 A	10/1996	Petruzella	D773,209 S	12/2016	Jaigobin	
D383,028 S	9/1997	Pierce	9,510,698 B1	12/2016	Krotova	
D411,057 S	6/1999	Johnson, Jr.	D776,960 S	1/2017	Suzuki	
6,175,890 B1	1/2001	Yamaura	D778,637 S	2/2017	Barry	
6,175,980 B1	1/2001	Gaither	D779,856 S	2/2017	Rich	
6,196,157 B1	3/2001	Northrop	D781,078 S	3/2017	Goenka	
6,212,718 B1	4/2001	Stolpmann	D785,370 S	5/2017	Randall	
6,301,730 B1	10/2001	Delfs	D785,968 S	5/2017	Burden	
6,305,317 B1	10/2001	Spiegel	D786,193 S *	5/2017	Akana	D13/108
D486,665 S	2/2004	Weaver	D790,257 S	6/2017	Holbrook	
D486,877 S	2/2004	Peterson	D791,494 S	7/2017	Bosch	
D486,969 S	2/2004	Weaver	D794,557 S *	8/2017	Kim	D13/108
D487,207 S	3/2004	Manuel	9,737,150 B2	8/2017	Rawls-Meehan	
6,971,128 B1	12/2005	McGrath	D796,725 S	9/2017	Recker	
6,983,500 B2	1/2006	Wootten	D798,077 S	9/2017	Schmitt	
D525,740 S	7/2006	Parker	D798,807 S *	10/2017	Shi	D13/108
D551,704 S	9/2007	Nakamura	D799,858 S	10/2017	Pearce	
D564,239 S	3/2008	Mecchi	9,788,661 B1	10/2017	Alletto	
D581,713 S	12/2008	Berke	D802,324 S	11/2017	Bucove	
7,530,127 B2	5/2009	Leifermann	D804,856 S	12/2017	Desodt	
D593,349 S	6/2009	Pittman	D809,321 S	2/2018	Bell	
7,614,362 B2	11/2009	Dunn	D810,458 S	2/2018	Cartier	
D605,337 S	12/2009	Zhang	D812,643 S	3/2018	Akana	
D608,560 S	1/2010	Chen	D815,335 S	4/2018	Lin	
D608,561 S	1/2010	Chen	D822,911 S	7/2018	Menayan	
D608,562 S	1/2010	Chen	D824,698 S	8/2018	Pennington	
7,788,750 B2	9/2010	Norstrom	D828,527 S *	9/2018	Xu	D23/356
D629,150 S	12/2010	Douloubakas	D836,849 S	12/2018	Romaya	
D634,148 S	3/2011	Morrison	D843,418 S	3/2019	Demin	
D639,492 S	6/2011	Lee	D848,051 S	5/2019	Huang	
8,051,514 B2	11/2011	Yarmer	D850,161 S	6/2019	Ping	
D657,150 S	4/2012	Hughes	D850,682 S	6/2019	DeBrunner	
D658,412 S	5/2012	Hoyord	10,314,407 B1	6/2019	Main	
D663,077 S	7/2012	Pohl	D855,567 S *	8/2019	Cai	D13/108
D664,303 S	7/2012	Chauncey	D860,257 S	9/2019	Akana	
8,245,339 B2	8/2012	Murray	D861,227 S	9/2019	Sonneman	
D674,644 S	1/2013	Stewart	D861,964 S	10/2019	Lin	
D675,855 S	2/2013	Reeves	D863,356 S	10/2019	Akana	
D679,870 S	4/2013	Williams	D864,615 S	10/2019	Morrison	
D694,746 S	12/2013	Akana	D865,402 S	11/2019	Morrison	
D696,044 S	12/2013	Robilotto	D887,390 S *	6/2020	Weiss	D14/204
D699,983 S	2/2014	Polesuk	D893,457 S *	8/2020	Wei	D14/216
D702,971 S	4/2014	Mitchell	D897,956 S *	10/2020	Yang	D13/108
D702,972 S	4/2014	Busch	D899,359 S *	10/2020	Zhang	D13/108
D713,165 S	9/2014	Robinson	D900,027 S *	10/2020	Reilly	D13/108
D720,157 S	12/2014	Villena	D905,049 S *	12/2020	Lu	D14/314
D722,239 S	2/2015	Russell	D905,657 S *	12/2020	Zhao	D14/203.7
8,959,683 B2	2/2015	Rochlin	D906,958 S *	1/2021	Fitzgerald	D13/108
D723,304 S	3/2015	Chang	D907,280 S *	1/2021	Zeng	D26/104
			D907,281 S *	1/2021	Wu	D26/104
			D908,620 S *	1/2021	Akana	D13/108
			2001/0027334 A1	10/2001	White	
			2001/0029628 A1	10/2001	Ferrand	
			2003/0181538 A1	9/2003	Martel	
			2003/0233706 A1	12/2003	Birch	
			2004/0134433 A1	7/2004	Holder	
			2004/0154101 A1	8/2004	Digirolamo	
			2005/0087142 A1	4/2005	Dalal	
			2005/0210595 A1	9/2005	Di Stasio	
			2005/0224000 A1	10/2005	Holte	
			2006/0042008 A1	3/2006	Baker	
			2006/0046024 A1	3/2006	Huntley	
			2006/0085919 A1	4/2006	Kramer	
			2006/0254526 A1	11/2006	Andriola	
			2006/0272582 A1	12/2006	Dunn	

(56)

References Cited

U.S. PATENT DOCUMENTS

2007/0040424 A1 2/2007 Neustat
 2007/0101496 A1 5/2007 Ho
 2007/0226911 A1 10/2007 Gladney
 2007/0256241 A1 11/2007 Harmon
 2007/0273539 A1 11/2007 Gananathan
 2008/0010746 A1 1/2008 Ho
 2008/0010751 A1 1/2008 Kemper
 2008/0116403 A1 5/2008 Shelbourn
 2008/0127897 A1 6/2008 Flannery
 2008/0127898 A1 6/2008 Morse
 2008/0127899 A1 6/2008 Angus
 2008/0173627 A1 7/2008 Martin
 2008/0201856 A1 8/2008 Howard
 2008/0313815 A1 12/2008 Guesquiere
 2009/0089933 A1 4/2009 Letton
 2009/0106894 A1 4/2009 Yeo
 2009/0127912 A1 5/2009 Galbreath
 2009/0151072 A1 6/2009 Jones, III
 2009/0172881 A1 7/2009 Peterson
 2009/0217459 A1 9/2009 Rudolph
 2010/0038882 A1 2/2010 Chimento
 2010/0050341 A1 3/2010 Tepper
 2010/0058541 A1 3/2010 Kemper
 2010/0087561 A1 4/2010 Abraham
 2010/0160473 A1 6/2010 Neff
 2010/0205738 A1 8/2010 Pollack
 2010/0269262 A1 10/2010 Warren
 2010/0313356 A1 12/2010 Morter
 2011/0061168 A1 3/2011 Farley
 2011/0067183 A1 3/2011 Hawkins
 2011/0107514 A1 5/2011 Brykalski
 2011/0115635 A1 5/2011 Petrovski
 2011/0154576 A1 6/2011 Warren
 2011/0252572 A1 10/2011 Morrison
 2011/0290834 A1 12/2011 Pelz
 2011/0314605 A1 12/2011 Deguchi
 2012/0001548 A1 1/2012 Recker
 2012/0060284 A1 3/2012 Caines
 2012/0159715 A1 6/2012 Jung
 2012/0324646 A1 12/2012 Briganti
 2013/0042411 A1 2/2013 Vitale
 2013/0180050 A1 7/2013 Koci
 2013/0247828 A1 9/2013 Tedaldi
 2013/0263377 A1 10/2013 Wootten, Jr.
 2013/0263386 A1 10/2013 Romero
 2013/0284099 A1 10/2013 Oakes, Jr.
 2014/0033440 A1 2/2014 Tyree
 2014/0039082 A1 2/2014 Peterson
 2014/0059765 A1 3/2014 Harris
 2014/0082843 A1 3/2014 Papadakos
 2014/0082846 A1 3/2014 Blazar
 2014/0099468 A1 4/2014 Cai
 2014/0130255 A1 5/2014 Montano, Jr.
 2014/0182061 A1 7/2014 Zaiss
 2014/0189955 A1 7/2014 Alletto, Jr.
 2014/0190417 A1 7/2014 Lipscomb
 2014/0201925 A1 7/2014 Tursi, Jr.
 2014/0208517 A1 7/2014 Gross
 2014/0227552 A1 8/2014 Lau
 2014/0230735 A1 8/2014 Coulter
 2014/0250596 A1 9/2014 De La Place
 2014/0283303 A1 9/2014 Rochlin
 2015/0000042 A1 1/2015 Randall
 2015/0067967 A1 3/2015 Tyree
 2015/0074911 A1 3/2015 Dungan
 2015/0135435 A1 5/2015 Ueda
 2015/0182032 A1 7/2015 Jensen
 2015/0237824 A1 8/2015 Cantwell
 2015/0296995 A1 10/2015 Krim
 2015/0351982 A1 12/2015 Krenik
 2016/0106061 A1 4/2016 Nelson
 2016/0128487 A1 5/2016 Eskridge, III
 2016/0135623 A1 5/2016 Montzka
 2016/0157625 A1 6/2016 Schneider
 2016/0169490 A1 6/2016 Kijima

2016/0192617 A1 7/2016 Murphy
 2016/0224750 A1 8/2016 Kethman
 2016/0262557 A1 9/2016 Williams
 2016/0296031 A1 10/2016 Sramek
 2016/0309678 A1 10/2016 Garnet
 2016/0360905 A1 12/2016 Feldman
 2017/0112292 A1 4/2017 Sopher
 2017/0172240 A1 6/2017 Massey
 2017/0208955 A1 7/2017 Lee
 2017/0238715 A1 8/2017 Choi
 2017/0251839 A1 9/2017 McLeod
 2017/0318981 A1 11/2017 Duwell
 2018/0027981 A1 2/2018 Sherman
 2018/0042393 A1 2/2018 Alletto
 2018/0100254 A1 4/2018 Brunton
 2018/0271300 A1 9/2018 Wang
 2018/0289171 A1 10/2018 Alletto, Jr.
 2019/0099017 A1 4/2019 Goldberg
 2019/0174930 A1 6/2019 DeFranks
 2019/0186704 A1 6/2019 Qiu
 2019/0223630 A1 7/2019 Phan
 2019/0230434 A1 7/2019 Stanley
 2019/0343306 A1 11/2019 Muthanandam
 2019/0376945 A1 12/2019 Yao
 2020/0113343 A1 4/2020 Staels

FOREIGN PATENT DOCUMENTS

CN 203328338 12/2013
 DE 10311434 9/2004
 FR 2715550 A1 8/1995
 GB 1572763 8/1980
 GB 2369569 6/2002
 JP 2004329706 11/2004
 JP 2005000192 1/2005
 WO 2013157534 10/2013
 WO 2014105687 7/2014
 WO 2019089830 A1 5/2019

OTHER PUBLICATIONS

Corrected Notice of Allowability dated Aug. 26, 2020 for U.S. Appl. No. 29/610,852 (pp. 1-4).
 International Search Report and Written Opinion for App. No. PCT/US2020/043712, dated Oct. 14, 2020, 17 pages.
 International Search Report and Written Opinion for Application No. PCT/US19/28543, dated Aug. 22, 2019, 16 pages.
 Notice of Allowance dated Jul. 12, 2019 for U.S. Appl. No. 29/641,393 (pp. 1-10).
 Notice of Allowance dated Jul. 2, 2020 for U.S. Appl. No. 15/677,387 (pp. 1-9).
 Notice of Allowance dated Jul. 29, 2020 for U.S. Appl. No. 29/610,852 (pp. 1-7).
 Office Action dated Apr. 9, 2020, for U.S. Appl. No. 29/610,852 (pp. 1-6).
 Office Action dated Dec. 2, 2019 for U.S. Appl. No. 29/610,852 (pp. 1-7).
 Office Action dated Mar. 16, 2020, for U.S. Appl. No. 15/677,387 (pp. 1-20).
 Office Action dated May 6, 2020 for U.S. Appl. No. 15/872,737 (pp. 1-10).
 Office Action dated Nov. 15, 2019 for U.S. Appl. No. 29/610,695 (pp. 1-7).
 Office Action dated Nov. 15, 2019 for U.S. Appl. No. 29/610,820 (pp. 1-6).
 Office Action dated Nov. 18, 2019 for U.S. Appl. No. 29/610,826 (pp. 1-7).
 Office Action dated Oct. 15, 2020 for U.S. Appl. No. 16/390,194 (pp. 1-24).
 Office Action dated Oct. 5, 2020 for U.S. Appl. No. 16/241,665 (pp. 1-13).
 The Casper Mattress, casper.com/mattresses/casper/, retrieved Aug. 27, 2019, 29 pages.
 The Essential Mattress, casper.com/mattresses/casper-essential/, retrieved Aug. 27, 2019, 15 pages.

(56) **References Cited**

OTHER PUBLICATIONS

The Wave Mattress, casper.com/mattresses/casper-wave/, retrieved Aug. 27, 2019, 30 pages.

10" Sewn-Thru Boxstitch PrimaSera Down Alternative Duvet Insert, Tc 230 accessed Jul. 13, 2017 (<http://hotelsuppliesdepot.com/10-Sewn-Thru-Boxstitch-PrimaSera-Down-Alternative-DUVET-INSERTTc-230-j-409.html>) (1 page).

700 Fill Power Temperature Regulating Down Comforter accessed Jul. 13, 2017 (<https://www.cuddledown.com/itemdy00.aspx?ID=70,3276&T1=Z1087+100+10+01>) (12 pages).

Amazon Basics Padded Pet Bolster Bed (https://www.amazon.com/AmazonBasics-Padded-Pet-Bolster-Bed/dp/B00LQZ18XQ?ie=UTF8&keywords=dog%20bed&qid=1459134598&ref=sr_1_11&refinements=p_n_feature_keywords_two_browse-bin%3A8002501011%7C8002502011%7C8002503011&s=pets-supplies&sr=1-11), accessed Sep. 16, 2016 (6 pages).

Amazon Stainmaster Comfy Couch Pet Bed, accessed Sep. 16, 2016 (https://www.amazon.com/STAINMASTER-Comfy-Couch-Large-Olive/dp/B00LQZ18XQ?ie=UTF8&keywords=dog%20bed&qid=1459134598&ref=sr_1_426&refinements=p_n_feature_keywords_two_browse-bin%3A8002501011%7C8002502011%7C8002503011&s=pets-supplies&sr=1-26) (8 pages).

Amazon Basics Padded Pet Bolster Bed, accessed Sep. 16, 2016 (https://www.amazon.com/AmazonBasics-Padded-Pet-Bolster-Bed/dp/B00QHC06UO?ie=UTF8&keywords=dog%20bed&qid=1459134598&ref=sr_1_11&refinements=p_n_feature_keywords_two_browse-bin%3A8002501011%7C8002502011%7C8002503011&s=pets-supplies&sr=1-11) (6 pages).

Badenia 3649730149 Bettcomfort Steppbett, 4-Jahreszeiten, Micro Thermo, 155x220 cm, weiß accessed Jul. 13, 2017 (<https://www.amazon.de/Badenia-Bettcomfort-03649730149-4-Jahreszeiten-Steppbett-Thermo/dp/B0026IBFN0?ie=UTF8&qid=1460493398&sr=1-5>) (1 page).

Browsers Donut Bed, accessed Sep. 16, 2016 (<http://www.browsers.com/pet-beds/donut-beds/donut-bed-nickel-weave.html>) (1 page).

Browsers Super Loft Rectangle Avalon, accessed Sep. 16, 2016 (<http://www.browsers.com/pet-beds/super-loft-rectangle/superloft-rectangle-avalon.html>) (1 page).

Browsers Urban Lounger (<http://www.browsers.com/pet-beds/urban-lounger/urban-lounger-everest.html>), accessed Sep. 16, 2016 (1 page).

Browsers Urban Lounger, accessed Sep. 16, 2016 (<http://www.browsers.com/pet-beds/urban-lounger/urban-loungereverest.html>) (1 page).

Casper Pillow review. Sleepopolis. Published on Jan. 22, 2016. Website found at: <https://www.youtube.com/watch?v=h4AhiXbEO3U>. (15 pages).

Chewy Casper Memory Foam Dog Bed Aug. 28, 2017 [site visited Jan. 23, 2018] Available from Internet URL: <https://www.chewy.com/casper-memory-foam-dog-bed-medium/dp/155149> (7 pages). Communication from Thomas Petr received in PCT/US2015/026564, dated Feb. 27, 2016. (1 page).

Correspondence Regarding Distribution of Dormia Radiance Mattress, Authored by Classic Brands, LLC, dated Nov. 1, 2007. (1 pg). Design Within Reach, Min Bed, http://www.dwr.com/bedroom-beds/min-bed/6348.html?lang=en_US (accessed May 23, 2018) (19 pages).

Doca pet Zz Bed, accessed Sep. 16, 2016 (<https://www.docapet.com/product/zz-bed/>) (2 pages).

DODOW "Product Guide" purchased 2018 (13 pages).

Dormia Website Existing at Least as Early as Jun. 14, 2008. (2 pages).

Downlite Downlite Dream Naturally 300 Thread Count Wool Down Comforter, accessed Jul. 13, 2017 (www.sears.com/downlite-dream-naturally-300-thread-count-wool/)-

00000000000000205710000000000000362141P?plpSellerId=Overstock.com&prdNo=12&blockNo=12&blockType=G12) (4 pages). Extended European Search Report issued in EP18192998.5, dated Nov. 20, 2018, 8 pages.

EZ Wash Fleece Lounger Poly-Filled Dog Bed, [site visited Jan. 23, 2018] Available from Internet URL: <https://www.wayfair.com/pet/>

pdp/3-dog-pet-supply-ez-wash-fleecelounger-poly-fil-led-dog-bed-dpsp1004.html?piid=18825537>. (3 pages).

FIVEFIVE S.A.S. "HOLI The Little Book To Sleep And Wake Up Bright" purchased in 2018 (6 pages).

FIVEFIVE S.A.S. "Manual Multilanguage v2.1" Copyright 2013 (7 pages).

Frontgate Huggy Nest Pet Bed, accessed Sep. 16, 2016 (<http://www.frontgate.com/huggy-nest-pet-bed/pet-products/pet-bedsblankets-throw-s/bolster-pet-beds/802099>), (2 pages).

Frontgate Urban Denim Lounger Pet Bed, accessed Sep. 16, 2016 (<http://www.frontgate.com/urban-denim-lounger-pet-bed/pet-products/pet-beds-blankets-throws/bolster-beds/451775>) (3 pages).

General Electric Company Copy of "C-Sleep" product packaging Purchase date unknown (2 pages).

General Electric Company Product Guide for GE Sol Lamp purchased 2018 (9 pages).

Groupon Water-Resistant Orthopedic Foam Pet Crate Mats, announced 2018 [online], [site visited Jan. 22, 2018] Available from Internet URL: <https://www.groupon.com/latest-deals/gg-waterresistant-orthopedic-foam-pet-crate-mats>. (2 pages).

Hobbs WL90 Count Batting Heirloom Wool, 90"x108" accessed Jul. 13, 2017 (https://www.amazon.com/Hobbs-WL90-Count-Batting-Heirloom/dp/B0063G013G/ref=sr_1_9?ie=UTF8&qid=1497374885&sr=8-9&keywords=wool+batting) (1 page).

How to set up your dog mattress, no date available (1 page).

Howlpot My Territory (http://www.howlpot.com/product/detail.html?product_no=30&cate_no=1&display_group=2), accessed Sep. 16, 2016 (9 pages).

Howlpot My Territory, accessed Sep. 16, 2016 (http://www.howlpot.com/product/detail.html?product_no=30&cate_no=1&display_group=2) (9 pages).

International Search Report and Written Opinion for PCT/US18/46573 dated Oct. 22, 2018, 23 pages.

International Search Report, Written Opinion of ISA and Search History, PCT/US2015/026564, dated Aug. 31, 2015. (19 pages).

International Search Report, Written Opinion of ISA, PCT/US2019/12582 (Apr. 25, 2019) (14 pages).

Japanese Office Action (with English language translation) for Application No. 2017-507687, dated Apr. 2, 2019, 9 pages.

Jax & Bones Donut Bed, accessed Sep. 16, 2016 (<https://www.jaxandbones.com/products/bedding/donut/licorice-donut-bed>) (3 pages).

Jax & Bones Memory Foam Bed, accessed Sep. 16, 2016 (<https://www.jaxandbones.com/products/bedding/memory-foam/juniper-memory-foam-pillow>) (2 pages).

Jax & Bones Sleeper Bed, accessed Sep. 16, 2016 (<https://www.jaxandbones.com/products/bedding/sleeper/tweed-cremesleeper-bed>), (2 pages).

Koninklijke Philips N.V. "Philips HealWell White paper" 2014 (12 pages).

Koninklijke Philips N.V. "Philips Lighting University—Connecting LEDs A Quick Reference Guide" 2014 (77 pages).

L.L.Bean Premium Denim Dog Bed Set, Rectangular, accessed Sep. 16, 2016 (<http://www.llbean.com/llb/shop/44560?feat=507408-GN2&page=premium-denim-dog-bed-set-rectangular>) (3 pages).

L.L.Bean Premium Dog Couch, accessed Sep. 16, 2016 (<http://www.llbean.com/llb/shop/66388?feat=507408-GN2&page=premium-dog-couch>) (3 pages).

Lighting Science "Awake & Alert Biological lights" LED-product packaging Purchase date unknown (3 pages).

Love Thy Beast Flip Stitch Bed, accessed Sep. 16, 2016 (<http://www.lovethebeast.com/collections/sleep/products/flip-stitch-bed-grey-blac-black>) (7 pages).

Luca Crate Cuddler, announced Jul. 15, 2016 [online], [site visited Jan. 23, 2018] Available from Internet URL: <https://www.youtube.com/watch?v=4HeVQP2Z86E> at approximately 0:05. (1 page).

Lux Premium Dog Bed, accessed Sep. 16, 2016 (<http://godogbeds.com/product/sample-product-2/>) (1 page).

Marlon Pilvi Cushion http://en.marlonshop.com/product/Pilvi-Cushion/50/?cate_no=1&display_group=2, accessed Sep. 16, 2016 (13 pages).

Notice of Allowance dated Apr. 2, 2020, for U.S. Appl. No. 29/667,664 (pp. 1-5).

(56)

References Cited

OTHER PUBLICATIONS

Notice of Allowance dated Apr. 30, 2020 for U.S. Appl. No. 29/667,664 (pp. 1-4).

NOX "User Manual for Smart Sleep Light Sleepspace" received in 2018 (12 pages).

Office Action and Search Report for China Patent Application No. 201580019495.5 (May 3, 2018) (12 pages).

Office Action dated Feb. 10, 2020, for U.S. Appl. No. 16/241,665 (pp. 1-10).

Office Action dated Mar. 20, 2019 for U.S. Appl. No. 15/611,902 (pp. 1-16).

Office Action dated Nov. 29, 2019 for U.S. Appl. No. 29/667,664 (pp. 1-7).

Organic Wool Toddler Pillow, All Natural & 100% GOTS Certified Pure Organic, Wool 'Pearls' accessed Jul. 13, 2017 (<https://www.amazon.com/Organic-Certified-Antibacterial-Hypoallergenic-Toddlers/dp/B00P6SKT7K>) (2 pages).

Orvis Deep Dish Dog Bed with Memory Foam, accessed Sep. 16, 2016 (<http://www.orvis.com/p/deep-dish-dog-bed/2c9b>) (2 pages).

Orvis Tempur-Pedic.RTM. Deep Dish Dog Bed, accessed Sep. 16, 2016. (<http://www.orvis.com/p/orvis-tempur-pedic-deepdish-dog-bed/2gr6>) (2 pages).

Orvis ToughChew Dog Bed with Polyester Fill, accessed Sep. 16, 2016 (<http://www.orvis.com/p/toughchew-rectangle-dogbed/0h4c>) (2 pages).

Orvis Wraparound Fleece Dog Bed with Memory Foam, accessed Sep. 16, 2016 (<http://www.orvis.com/p/wraparound-fleecedog-bed/2es4>) (2 pages).

Pablo Design "UMA Setup Guide & Owners Manual" purchased 2017 (8 pages).

Petco K&H Deluxe Ortho Bolster Sleeper Dog Bed, accessed Sep. 16, 2016 (<http://www.petco.com/shop/en/petcostore/dog/dog-beds-and-bedding/dog-bed-s/kandh-deluxe-ortho-bolster-sleeper-dog-bed-in-eggplant-withpaw-prints#>) (2 pages).

PetCo Sweet Dreams Rectangular Bolster Dog Bed, accessed Sep. 16, 2016 (<http://www.petco.com/shop/en/petcostore/dog/dog-beds-and-bedding/dog-bed-s/sweet-dreams-rectangular-bolster-dog-bed>) (2 pages).

PetCo Sweet Dreams Rectangular Bolster Dog Bed [http://www.petco.com/shop/en/pet\(X\)store/dog/dog-beds-an^log-bed](http://www.petco.com/shop/en/pet(X)store/dog/dog-beds-an^log-bed), accessed Sep. 16, 2016 (2 pages).

Petsmart Carolina Pet Orthopedic Comfort Couch, accessed Sep. 16, 2016. http://www.petsmart.com/dog/beds/carolina-petorthopedic-comfort-couch-personalized-pet-bed-zid36-5591/cat-36-catid-100063?var_id=36-5591) (2 pages).

Petsmart K&H Classy Lounger Pet Bed, accessed Sep. 16, 2016. (http://www.petsmart.com/dog/beds/k-h-classy-lounger-petbed-zid36-26968/-cat-36-catid-100063?var_id=36-26968), (1 page).

Philips "Hue Personal Wireless Lighting Get started with Philips Hue" brochure purchased 2017 (6 pages).

Philips "Hue Personal Wireless Lighting" pamphlet Purchased 2017 (2 pages).

Philips "Wake-up Light" product packaging Purchase date unknown (1 page).

Philips Lighting Holding B.V. "Hue Personal Wireless Lighting" product packaging 2016 (2 pages).

Philips Lighting Holding B.V. "User manual" Jan. 30, 2017 (2 pages).

Round Orvis Dog's Nest, accessed Sep. 16, 2016, (<http://www.orvis.com/p/round-orvis-dogs-nest/1h01>) (2 pages).

Ruffler Urban Sprawl <http://www.ruffrwear.com/Urban-Sprawl-Plush-Dog-Bed?sc=2&category=17>, accessed Sep. 16, 2016 (2 pages).

Ruffler Urban Sprawl, accessed Sep. 16, 2016 (<http://www.ruffrwear.com/Urban-Sprawl-Plush-Dog-Bed?sc=2&category=17>) (2 pages).

Shinola Dolostone Dog Bed, accessed Sep. 16, 2016 (<http://www.shinola.com/shop/pet-accessories/dolostone-dogbed.html#color=Ashen%20Gray>) (2 pages).

Specification and Build Sheet for Dormia Radiance Mattress dated Jun. 14, 2007. (2 pages).

Supplementary Partial European Search Report for EP 15 78 3835 (dated Nov. 14, 2017) (14 pages).

The Casper Dog Mattress In-depth Review Demo, announced Feb. 15, 2017 [online], [site visited Jan. 23, 2018] Available from Internet URL: <https://www.youtube.com/watch?v=jRqVxs_M35g> at approximately 2:39. (1 page).

Third-Party Submission Under 37 CFR 1.290 dated Jun. 14, 2016 in U.S. Appl. No. 14/689,945. (15 pages).

Third-Party Submission Under 37 CFR 1.290 dated Jun. 27, 2016 in U.S. Appl. No. 14/689,945. (11 pages).

Third-Party Submission under 37 CFR 1.290 mailed on Jun. 10, 2016 in U.S. Appl. No. 14/689,945. (9 pages).

Twist Product Guide purchased 2017 (2 pages).

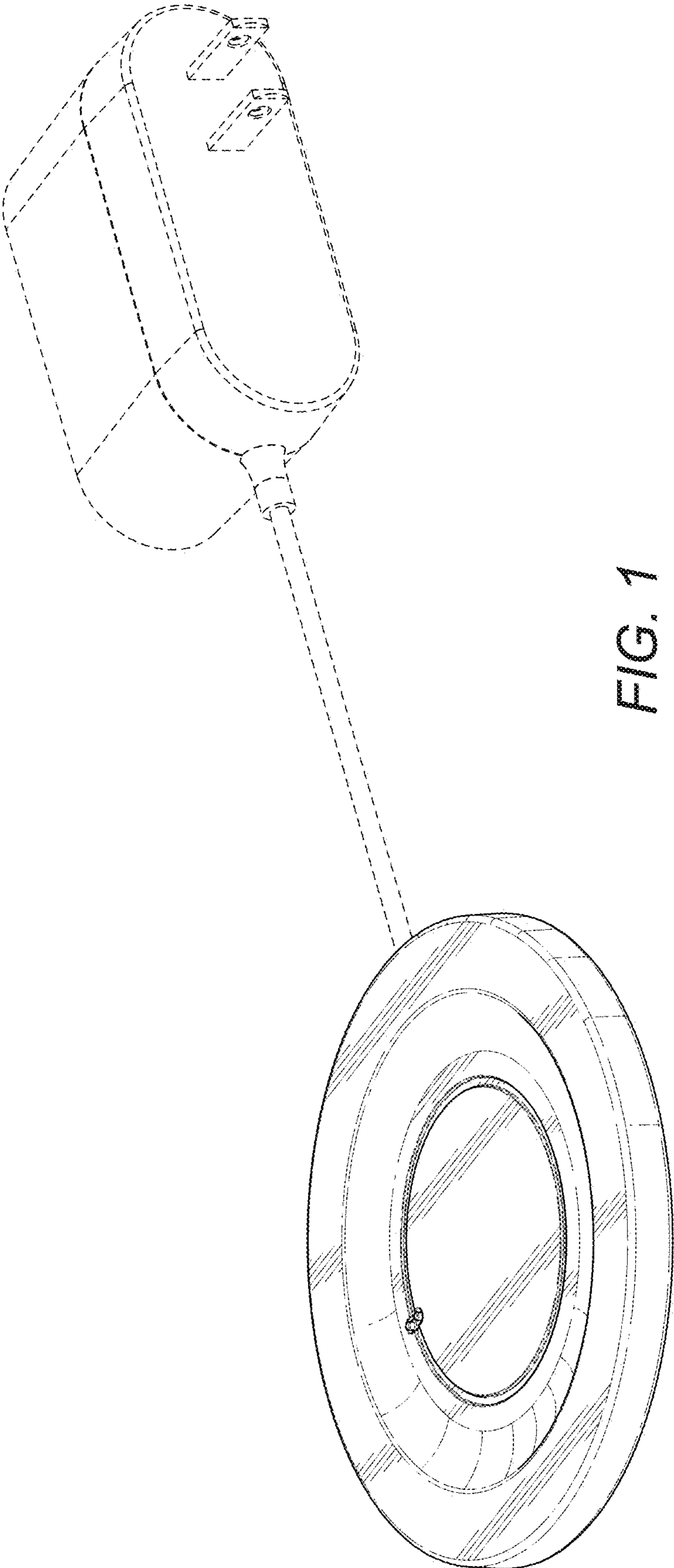
Unboxing and Setting Up a Casper Dog Bed, announced Sep. 14, 2016 [online], [site visited Jan. 23, 2018] Available from Internet URL: <<https://www.youtube.com/watch?v=fAEKTatzCTA>> at approximately 0:48. (1 page).

UP Light Corp. "Smart Wake UP Light" product packaging Purchase date unknown (2 pages).

World of Angus Dog Bed, accessed Sep. 16, 2016, (<http://worldofangus.com/collections/the-dog-bed-collection/products/thedog-bed>) (4 pages).

Wout van Bommel, et al., Koninklijke Philips Electronics N.V. "Lighting Hardware" Copyright 2011 (107 pages).

* cited by examiner



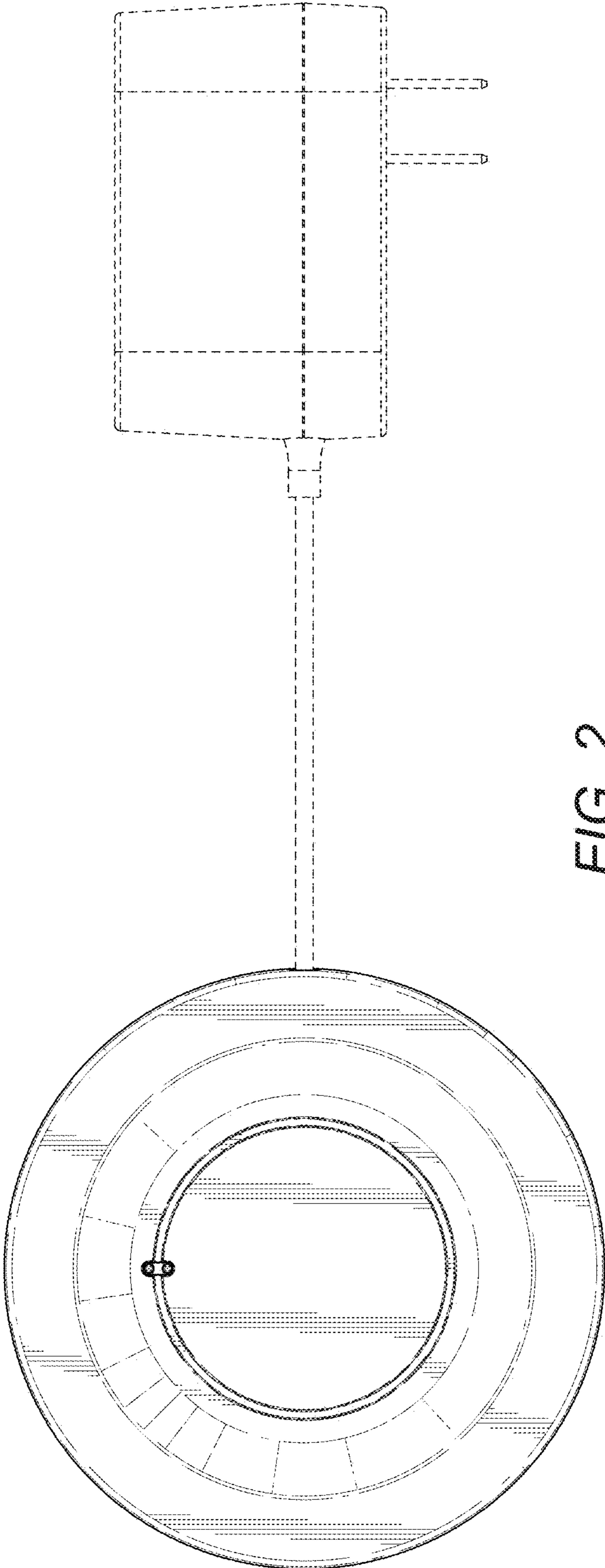


FIG. 2

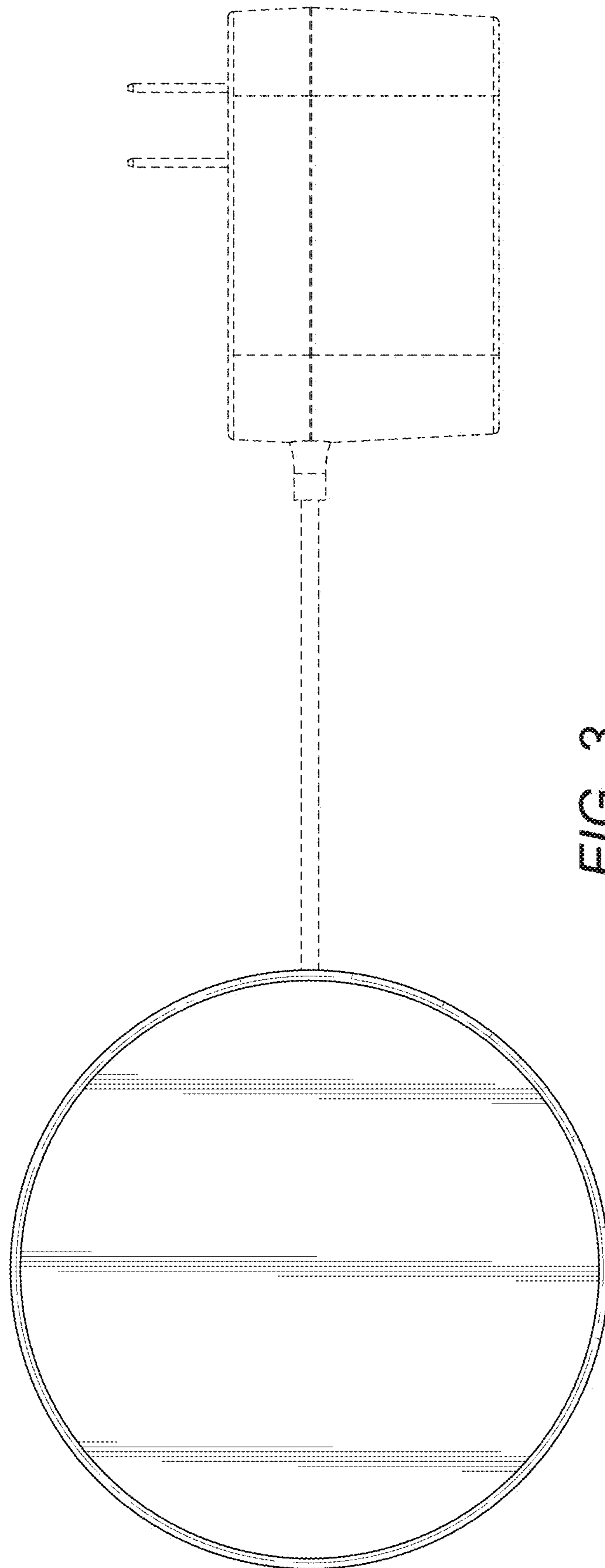


FIG. 3

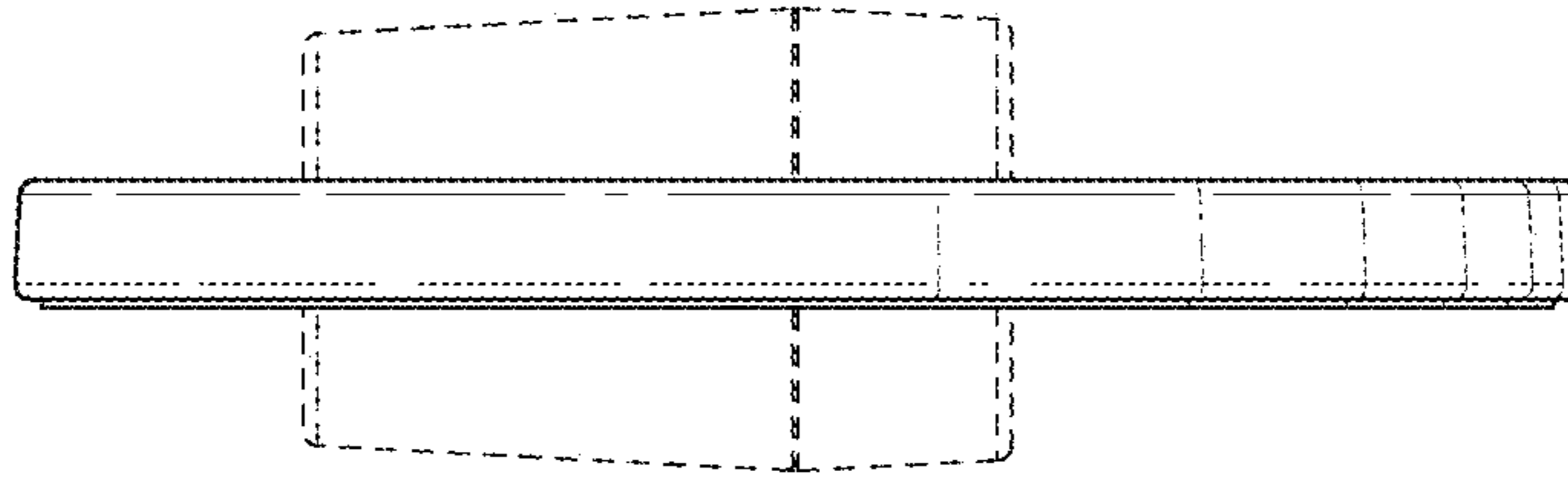


FIG. 4

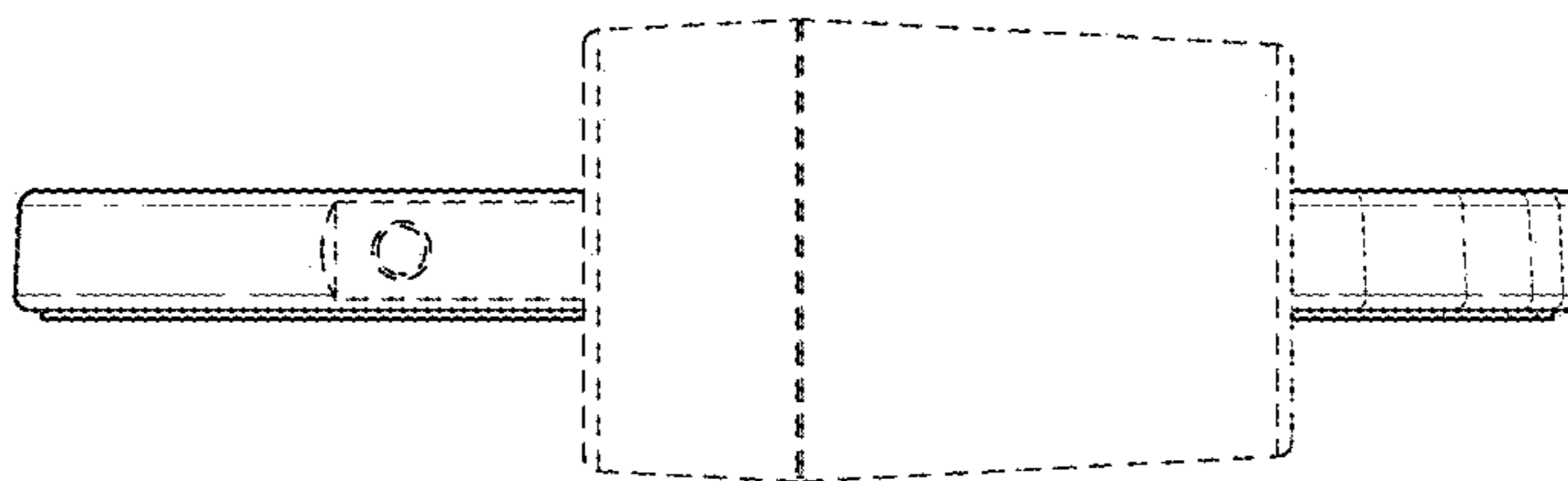


FIG. 5

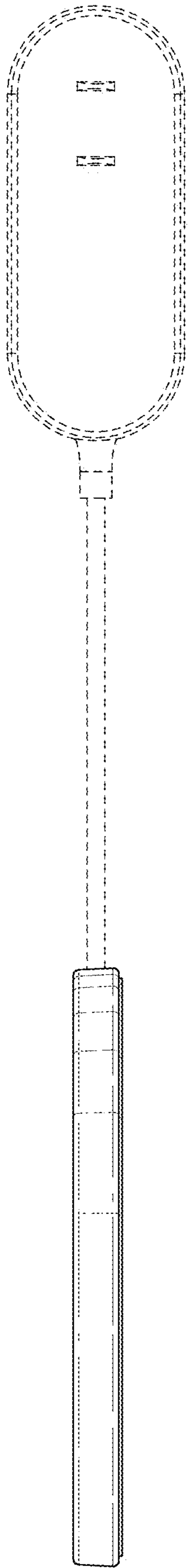


FIG. 6

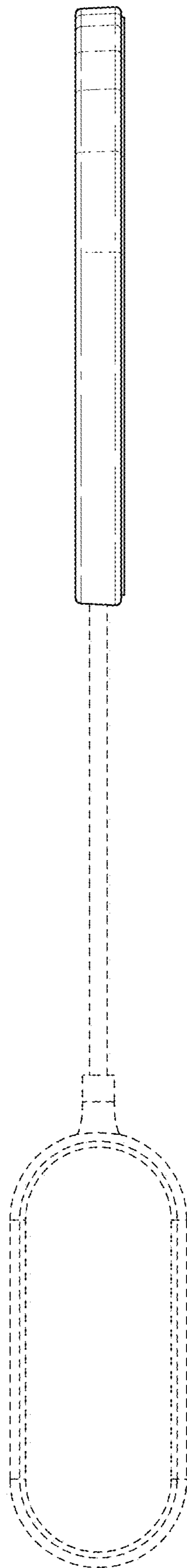
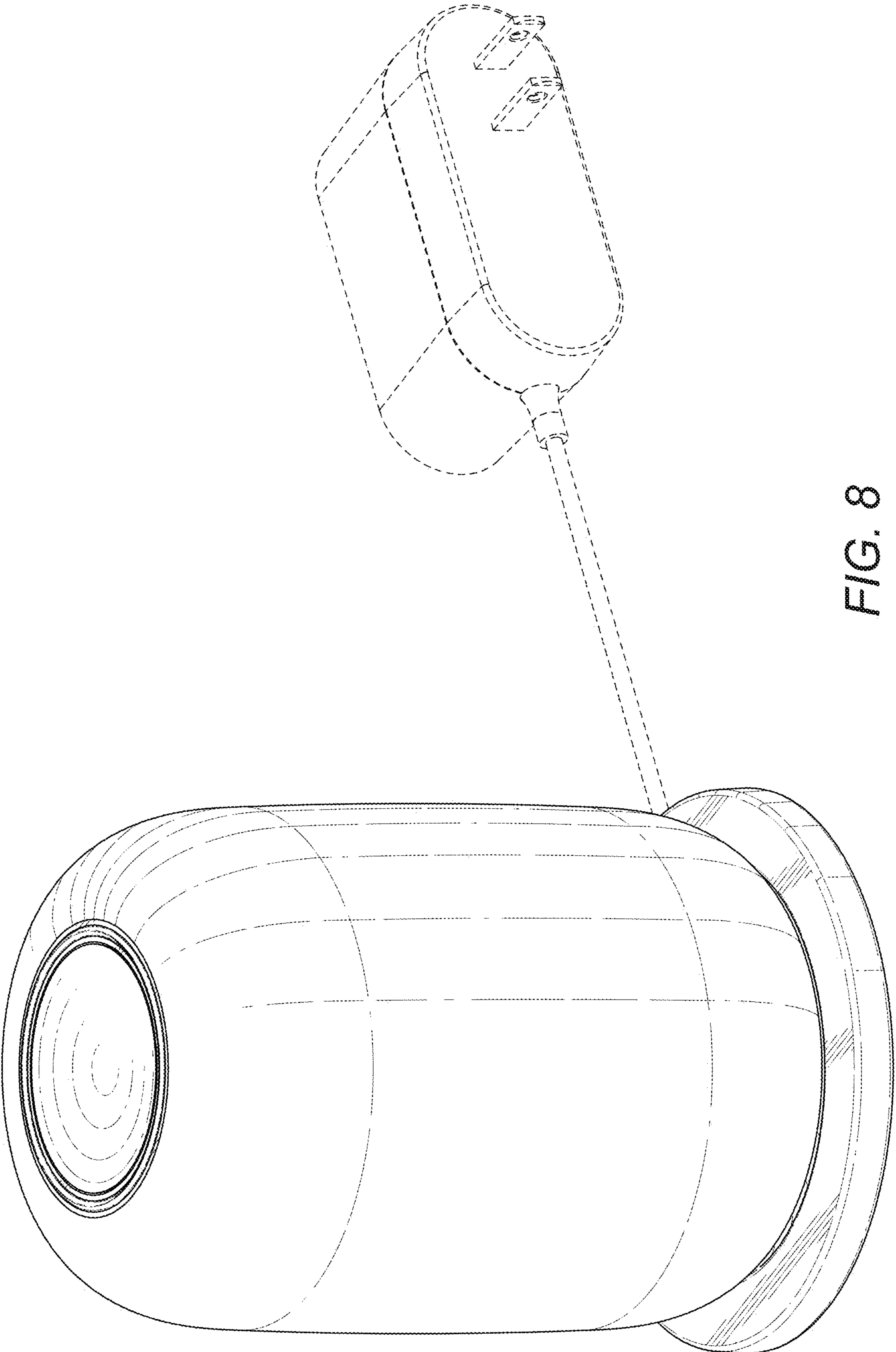


FIG. 7



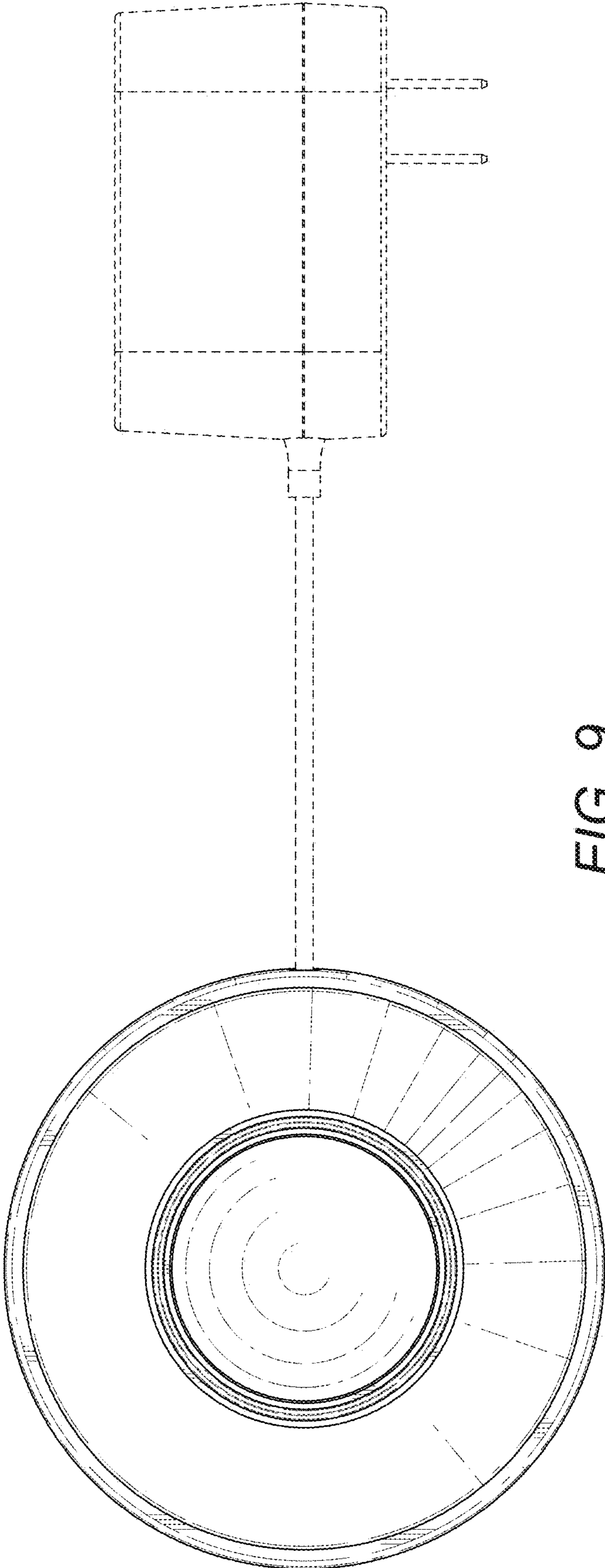


FIG. 9

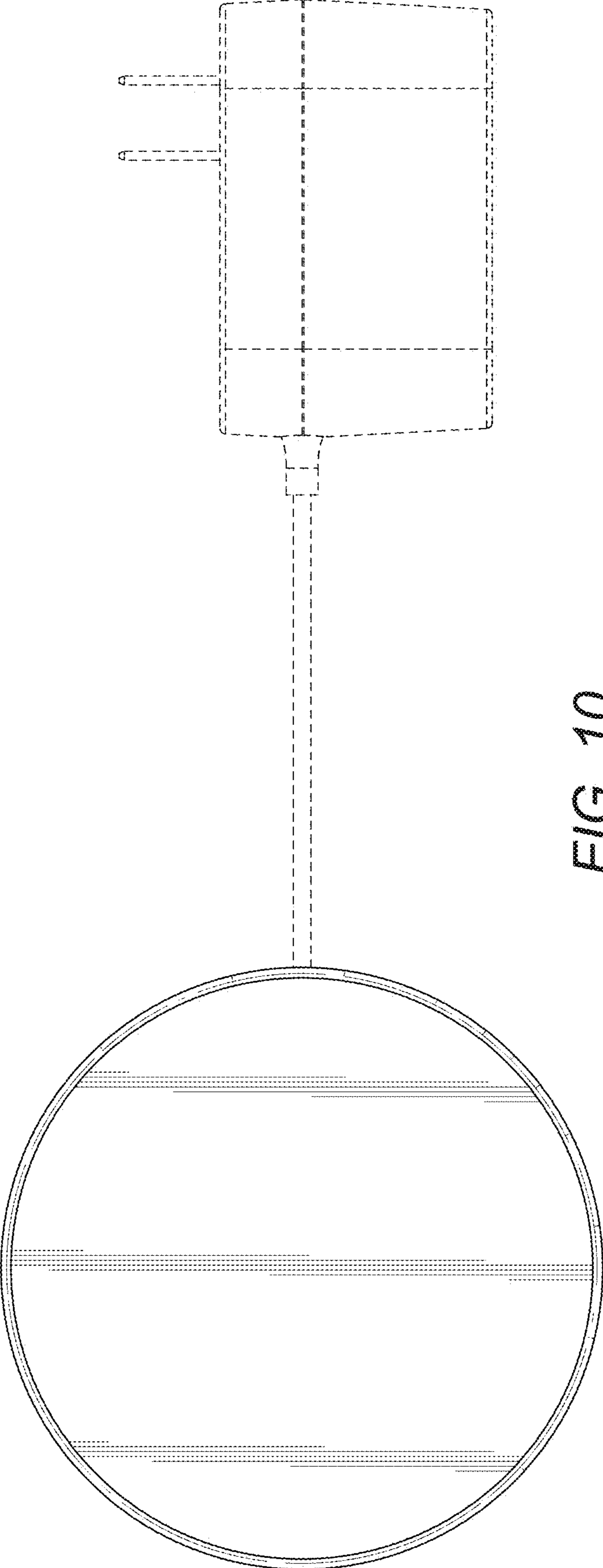


FIG. 10

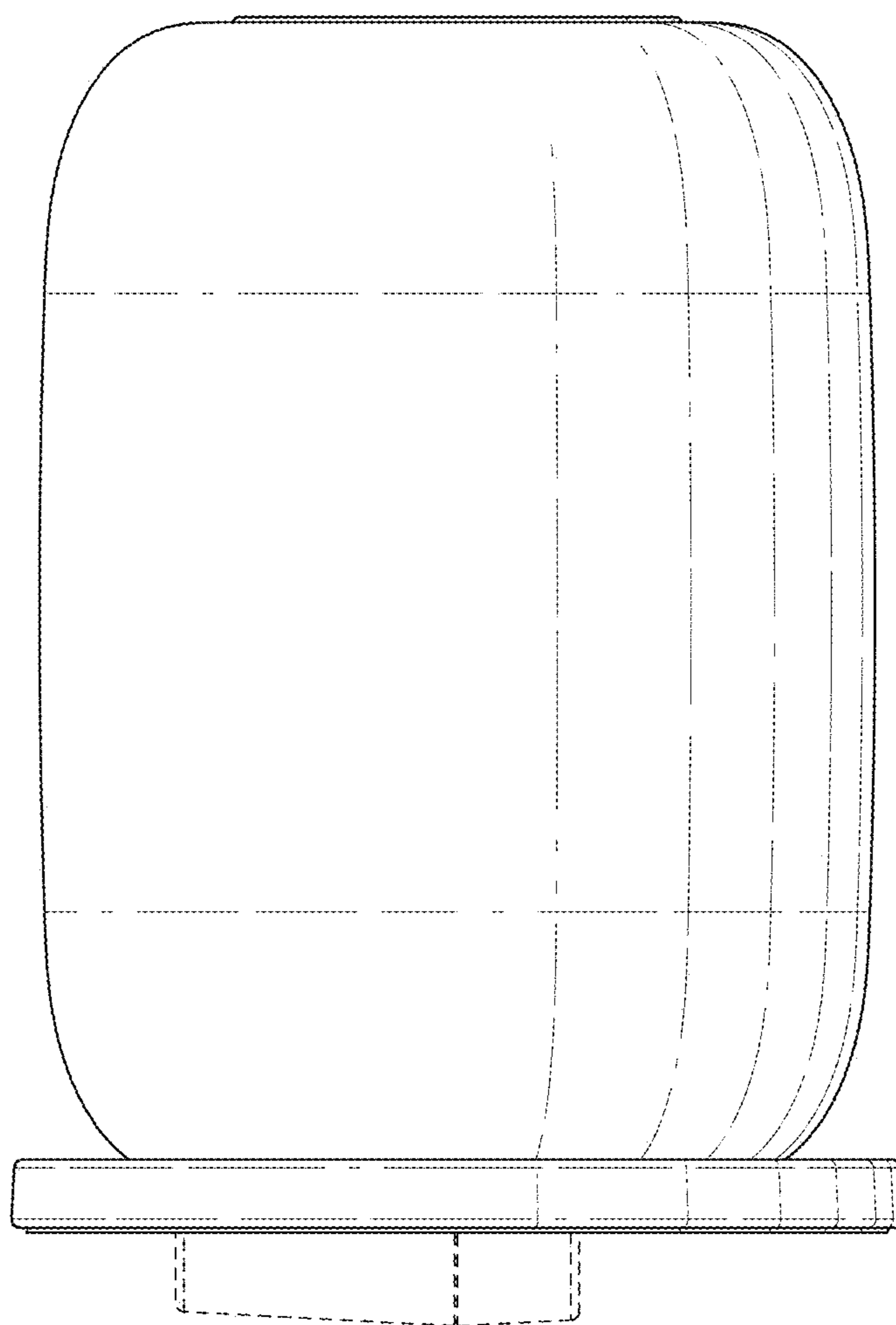


FIG. 11

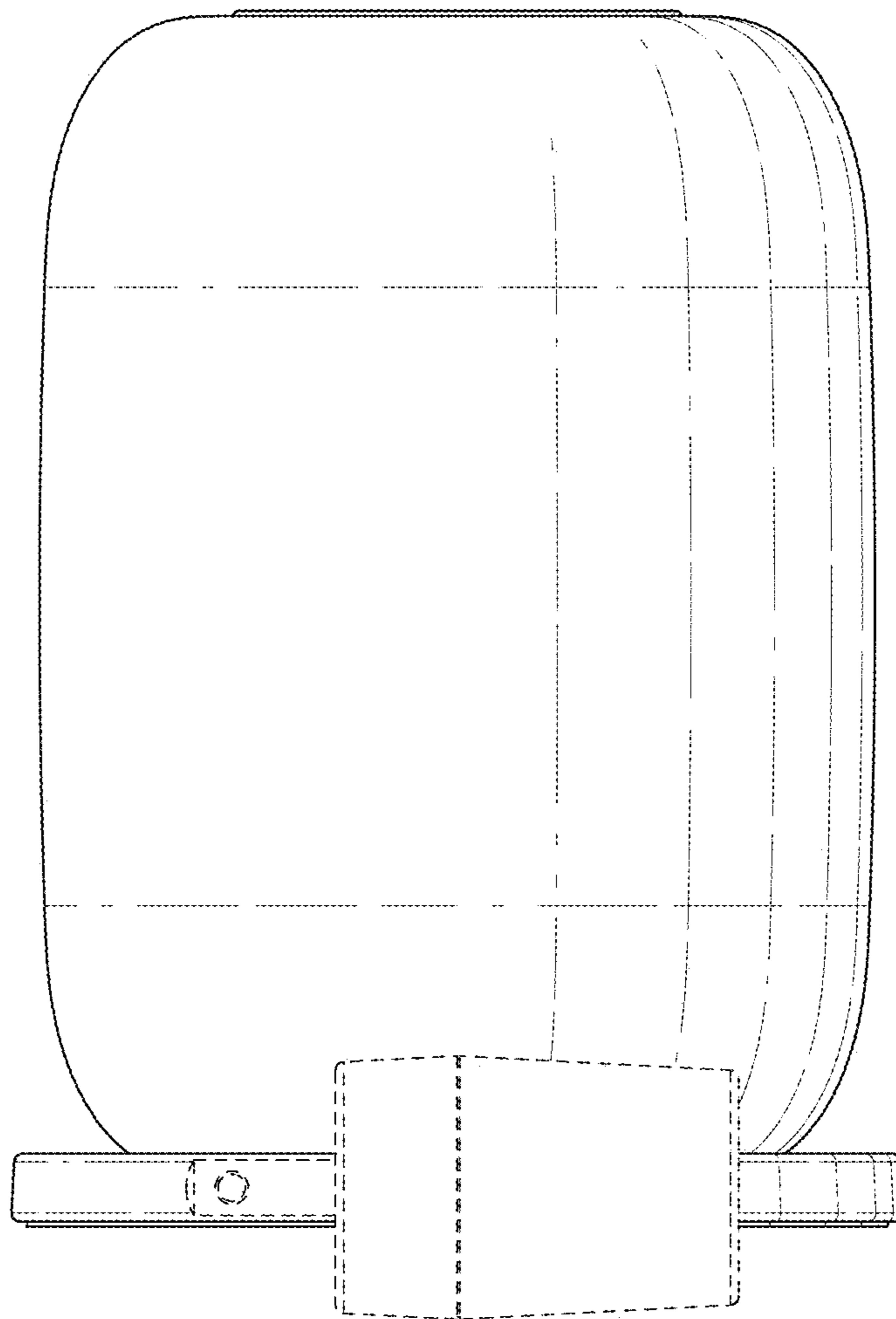


FIG. 12

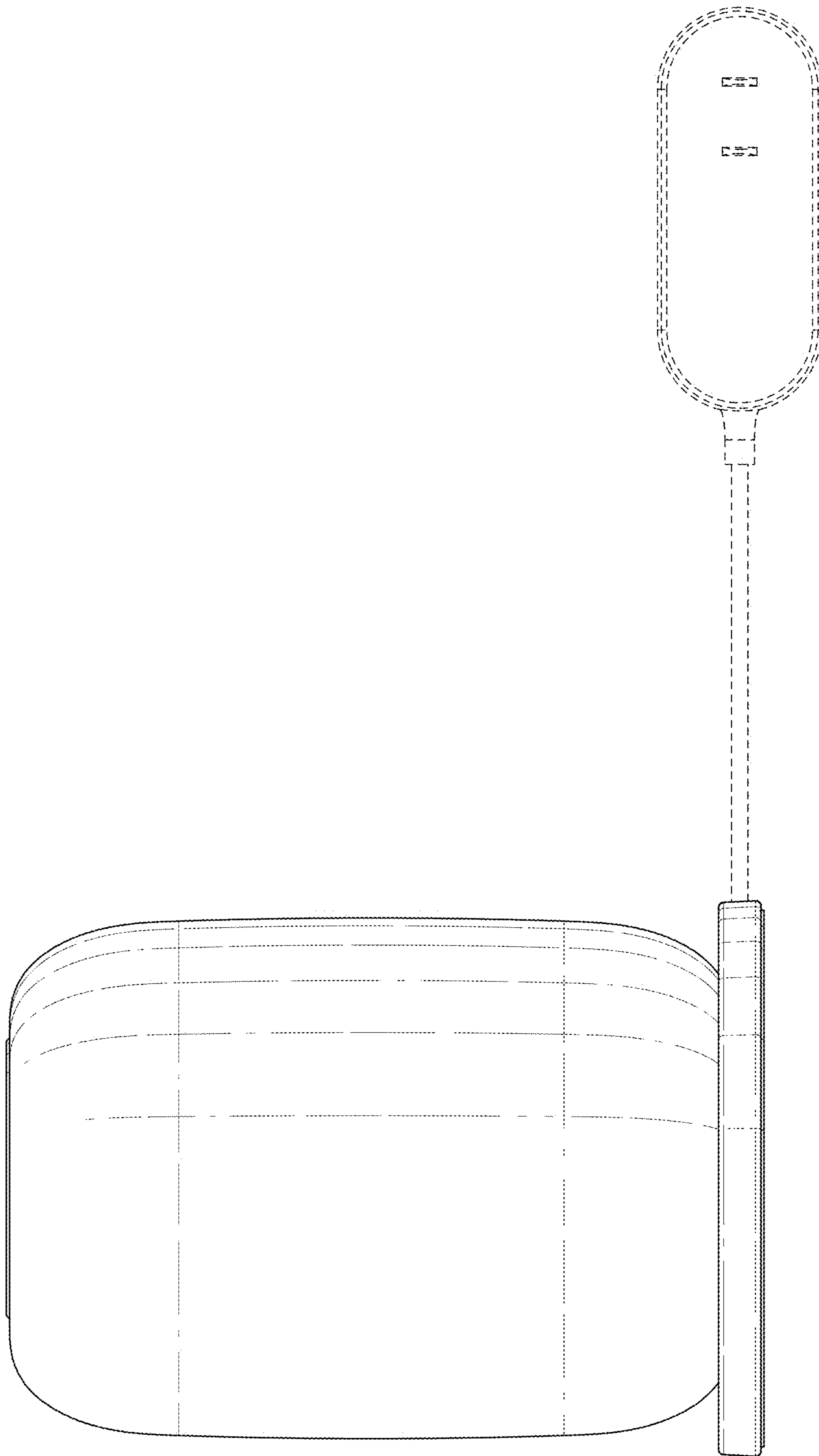


FIG. 13

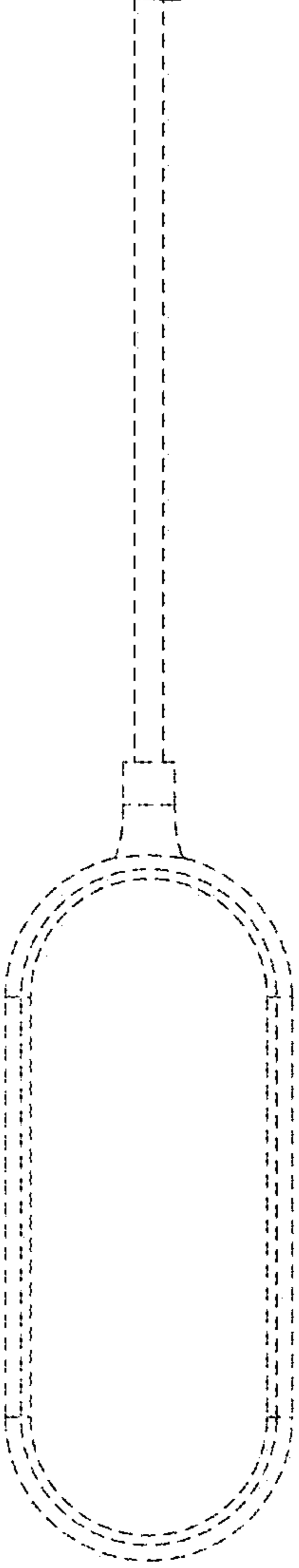
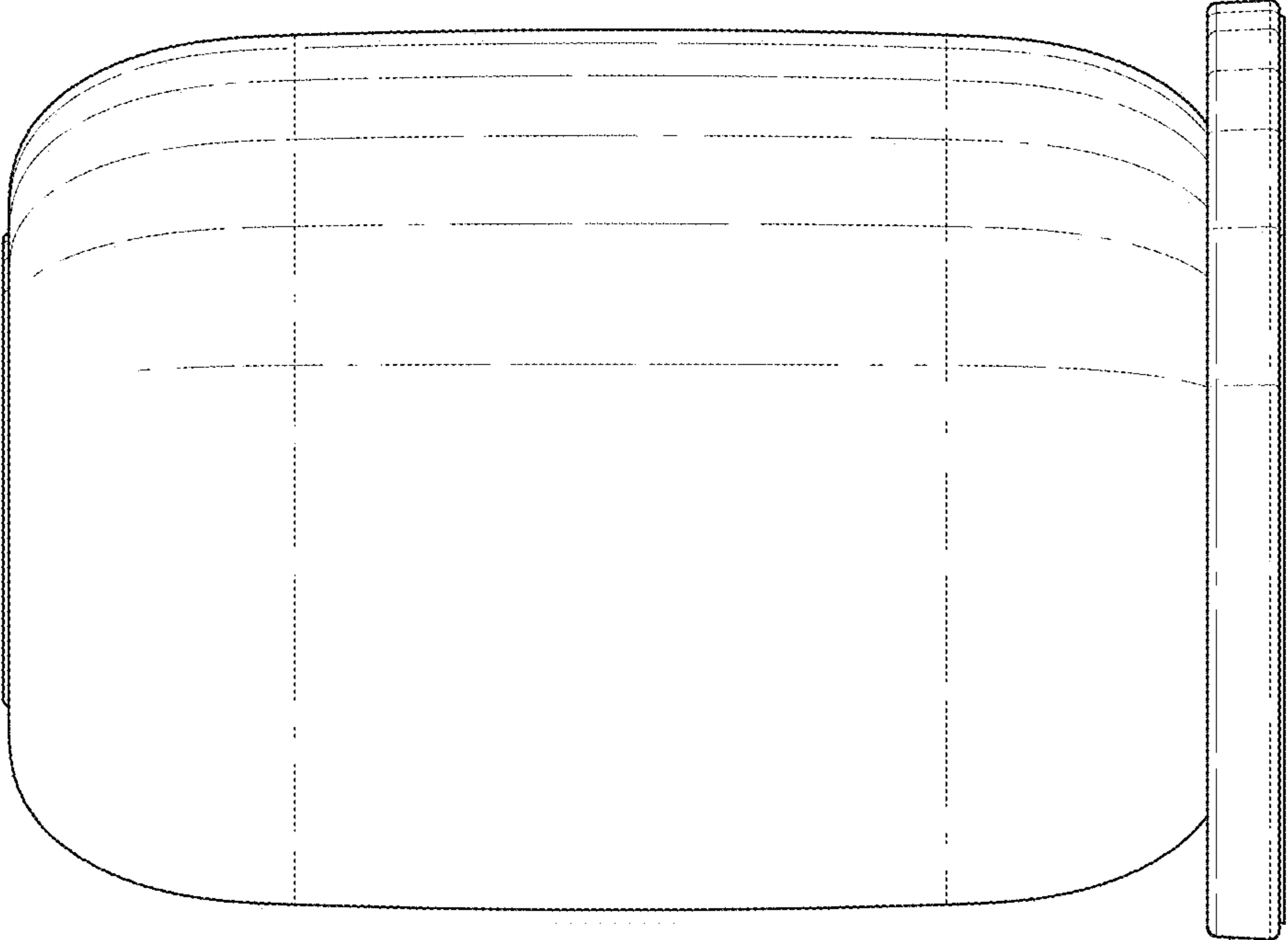


FIG. 14