



US00D915659S

(12) **United States Design Patent** (10) **Patent No.:** **US D915,659 S**
Yeh (45) **Date of Patent:** **** Apr. 6, 2021**

(54) **MULTI-LIGHT LINEAR FLOOR ARCH LAMP**

(71) Applicant: **E-Ko Image Inc.**, Chino, CA (US)

(72) Inventor: **John Yeh**, Chino Hills, CA (US)

(73) Assignee: **Artiva**, Chino, CA (US)

(**) Term: **15 Years**

(21) Appl. No.: **29/700,554**

(22) Filed: **Aug. 2, 2019**

(51) **LOC (13) Cl.** **26-03**

(52) **U.S. Cl.**
USPC **D26/102**

(58) **Field of Classification Search**
USPC D26/102, 104, 107, 110
CPC .. F21S 6/00; F21S 6/002; F21V 21/02; F21V 21/116; F21W 2121/00; F21W 2131/30
See application file for complete search history.

(56) **References Cited**

U.S. PATENT DOCUMENTS

D227,848 S 7/1973 Schneider
D341,000 S 11/1993 Kraemer

D345,231 S 3/1994 Kraemer
D347,488 S * 5/1994 Kramer D26/102
D452,580 S 12/2001 Levy
D668,812 S 10/2012 Sprengers
D753,867 S * 4/2016 Yin D26/107
D821,019 S * 6/2018 Yin D26/107
D822,878 S * 7/2018 Yeh D26/107

* cited by examiner

Primary Examiner — Brian N. Vinson
(74) *Attorney, Agent, or Firm* — Eric Gani

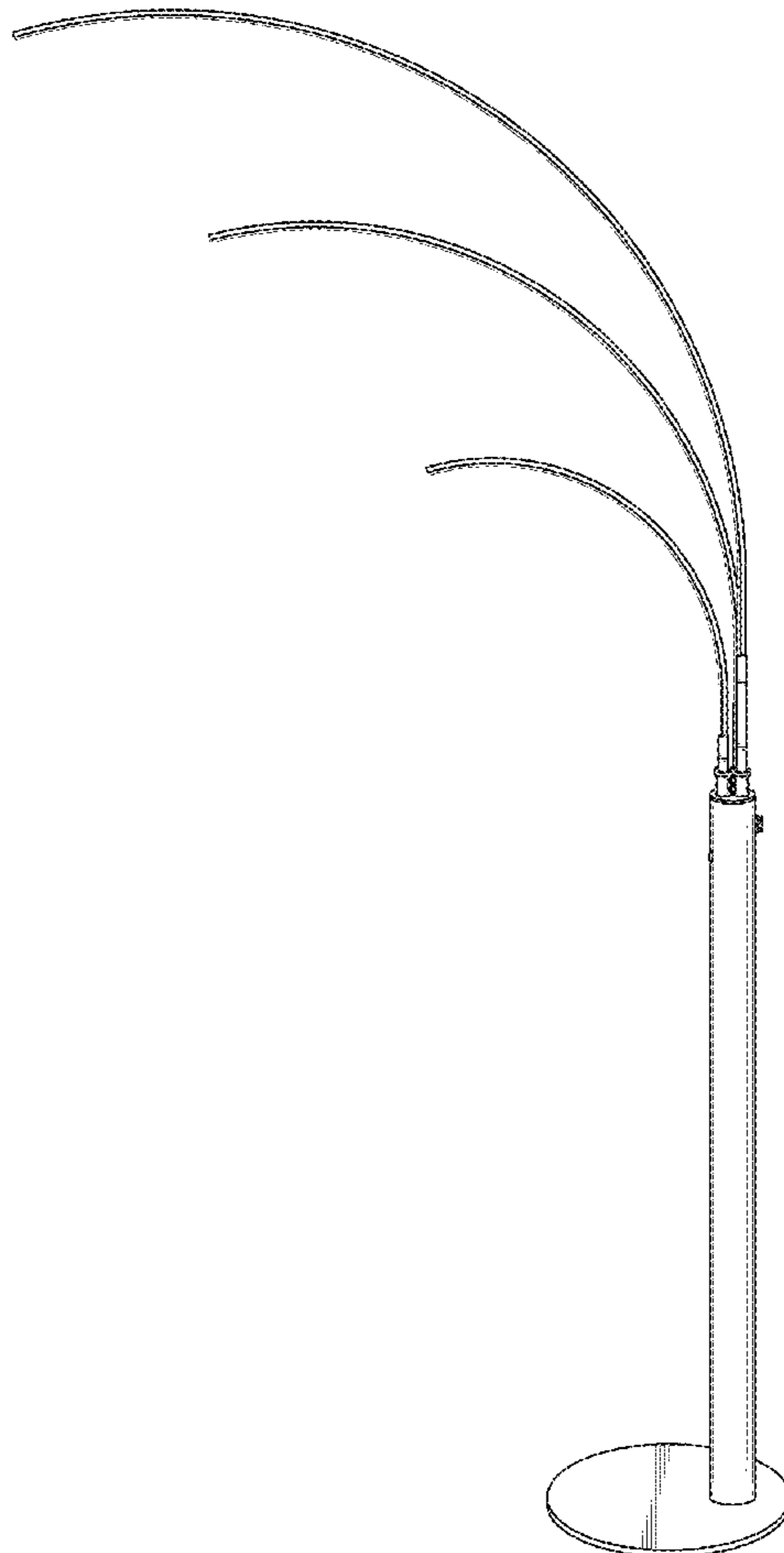
(57) **CLAIM**

The ornamental design for a multi-light linear floor arch lamp, as shown and described.

DESCRIPTION

FIG. 1 is a top perspective view of the multi-light linear floor arch lamp according to my new design;
FIG. 2 is a front view thereof;
FIG. 3 is a rear view thereof;
FIG. 4 is a left side view thereof;
FIG. 5 is a right side view thereof;
FIG. 6 is a top view thereof; and
FIG. 7 is a bottom view thereof;
FIG. 8 is a perspective view of an alternative embodiment of the current design showing four lamps; and,
FIG. 9 is another perspective view of an alternative embodiment of the current design showing five lamps.

1 Claim, 9 Drawing Sheets



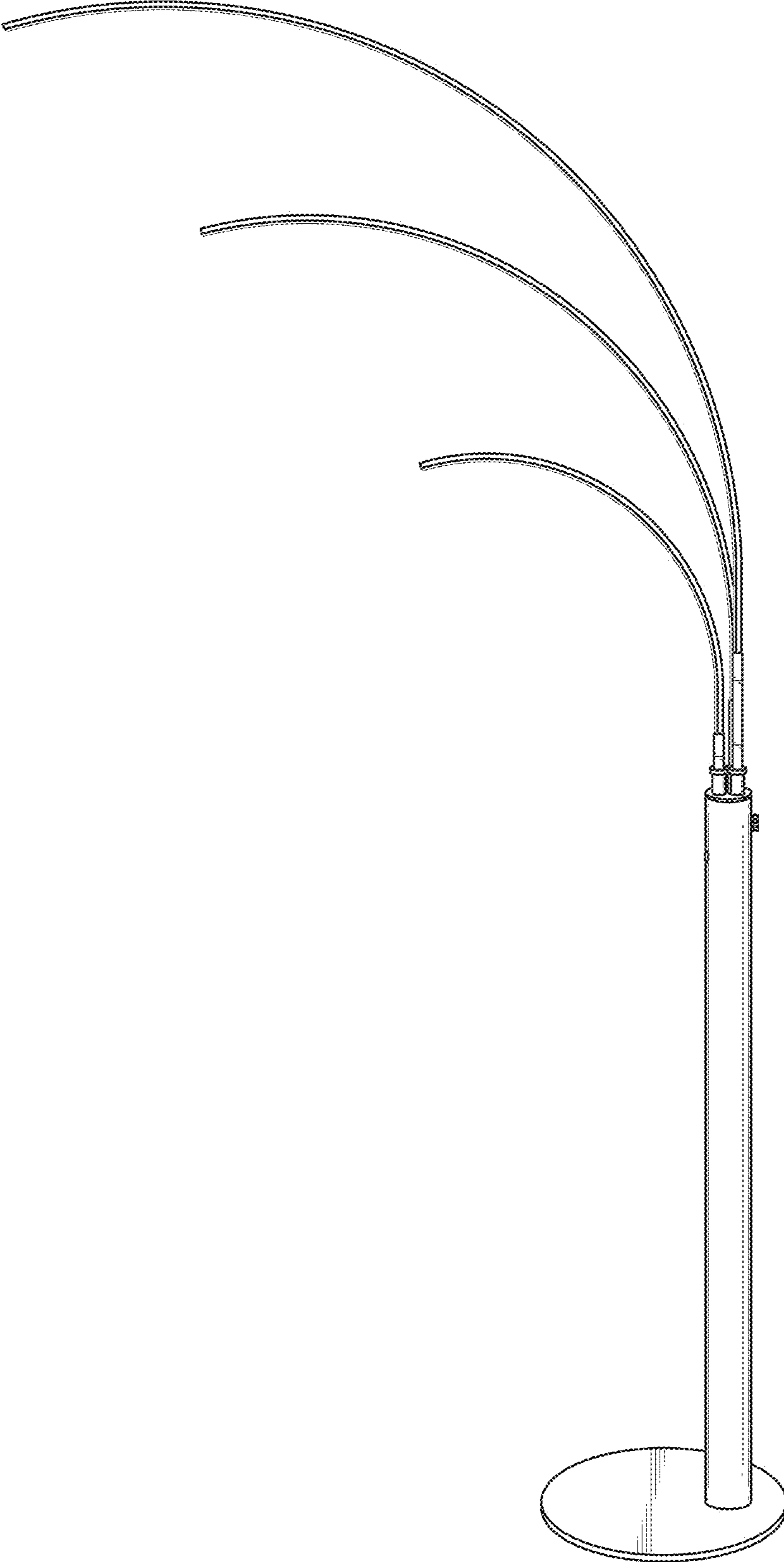


FIG. 1

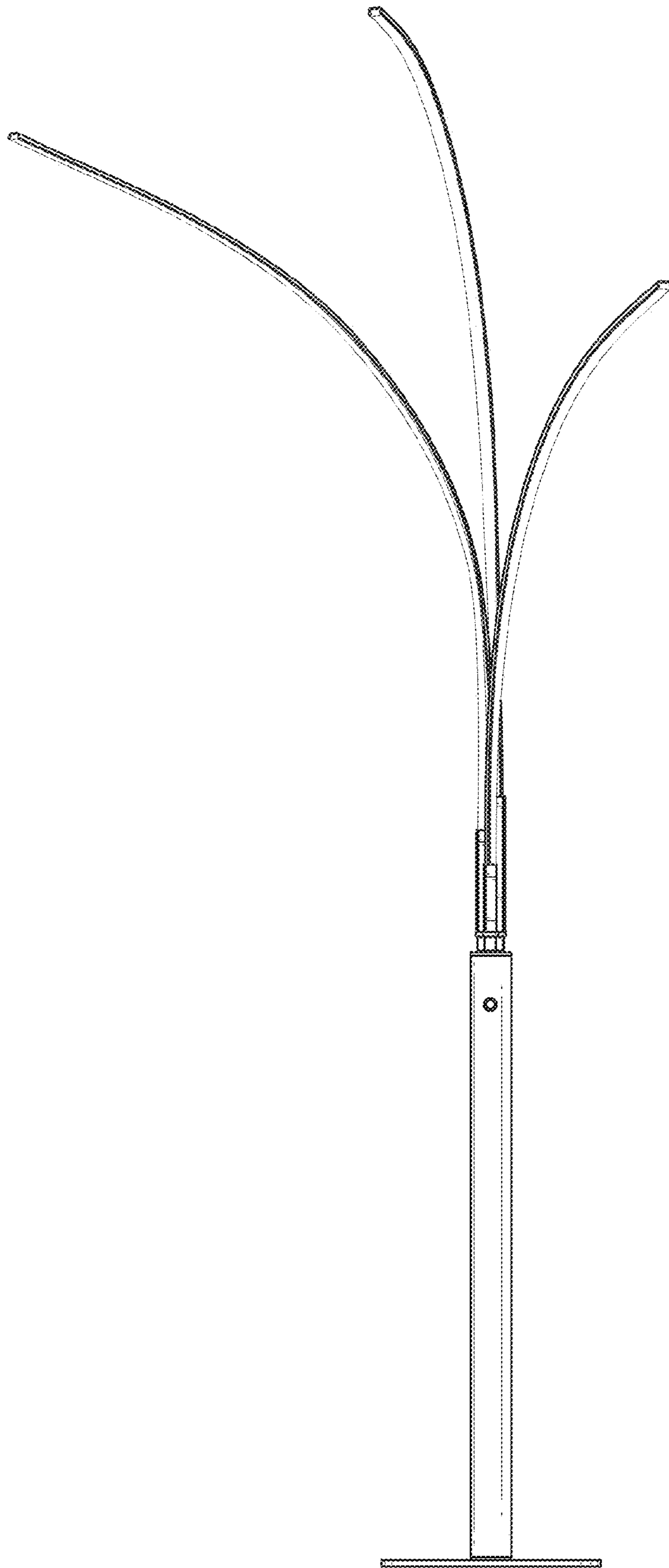


FIG. 2

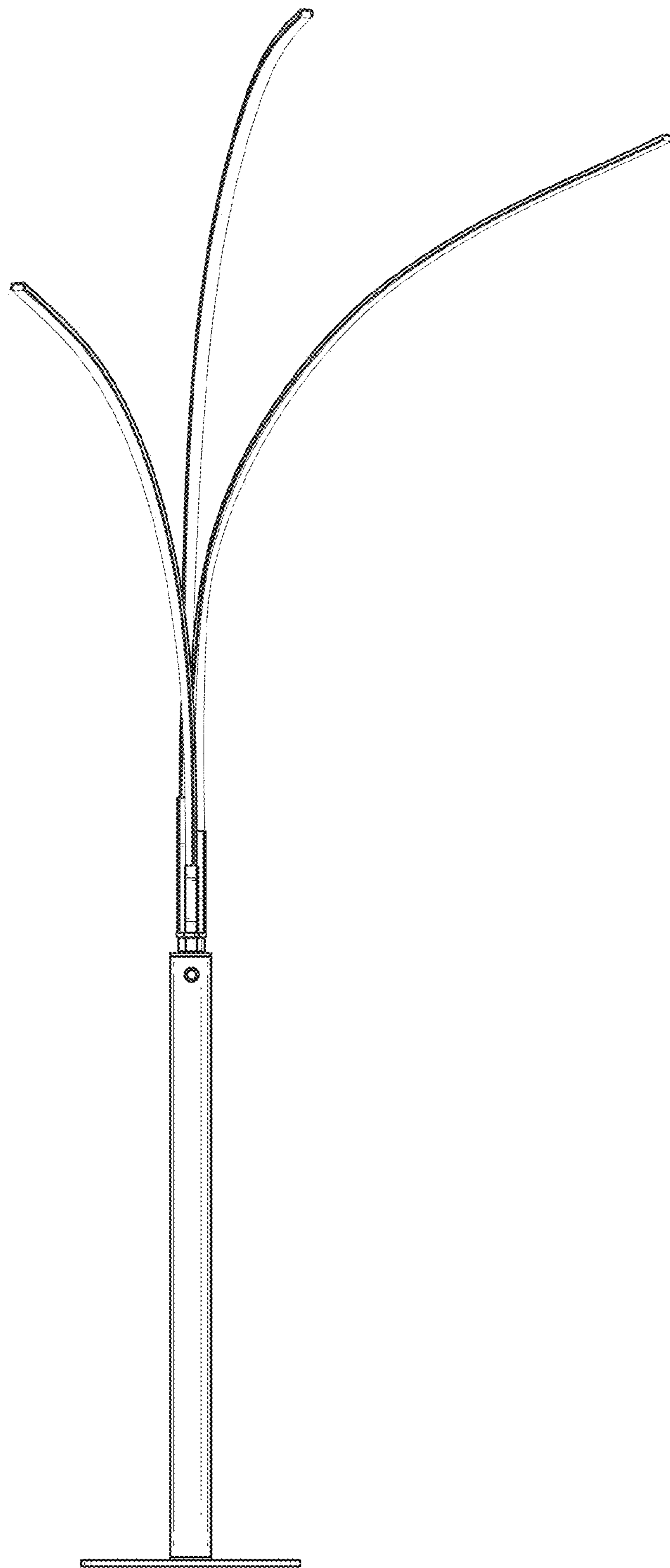


FIG. 3

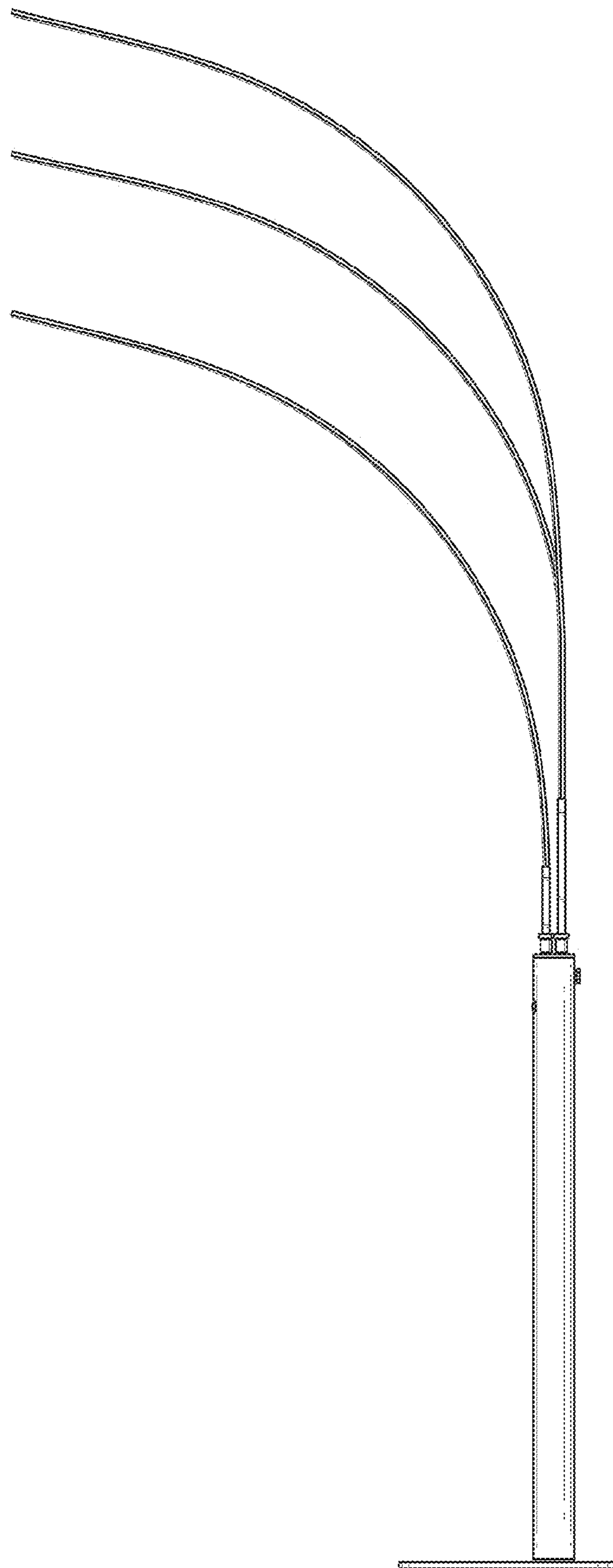


FIG. 4

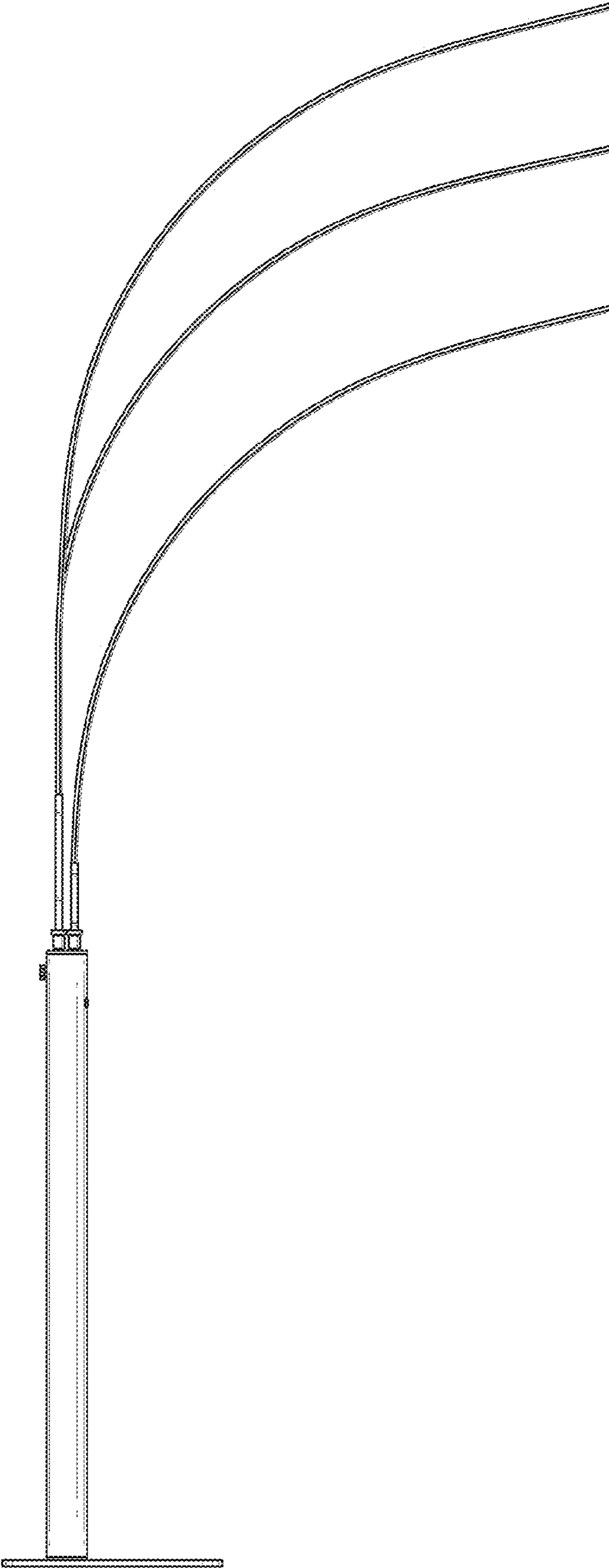


FIG. 5

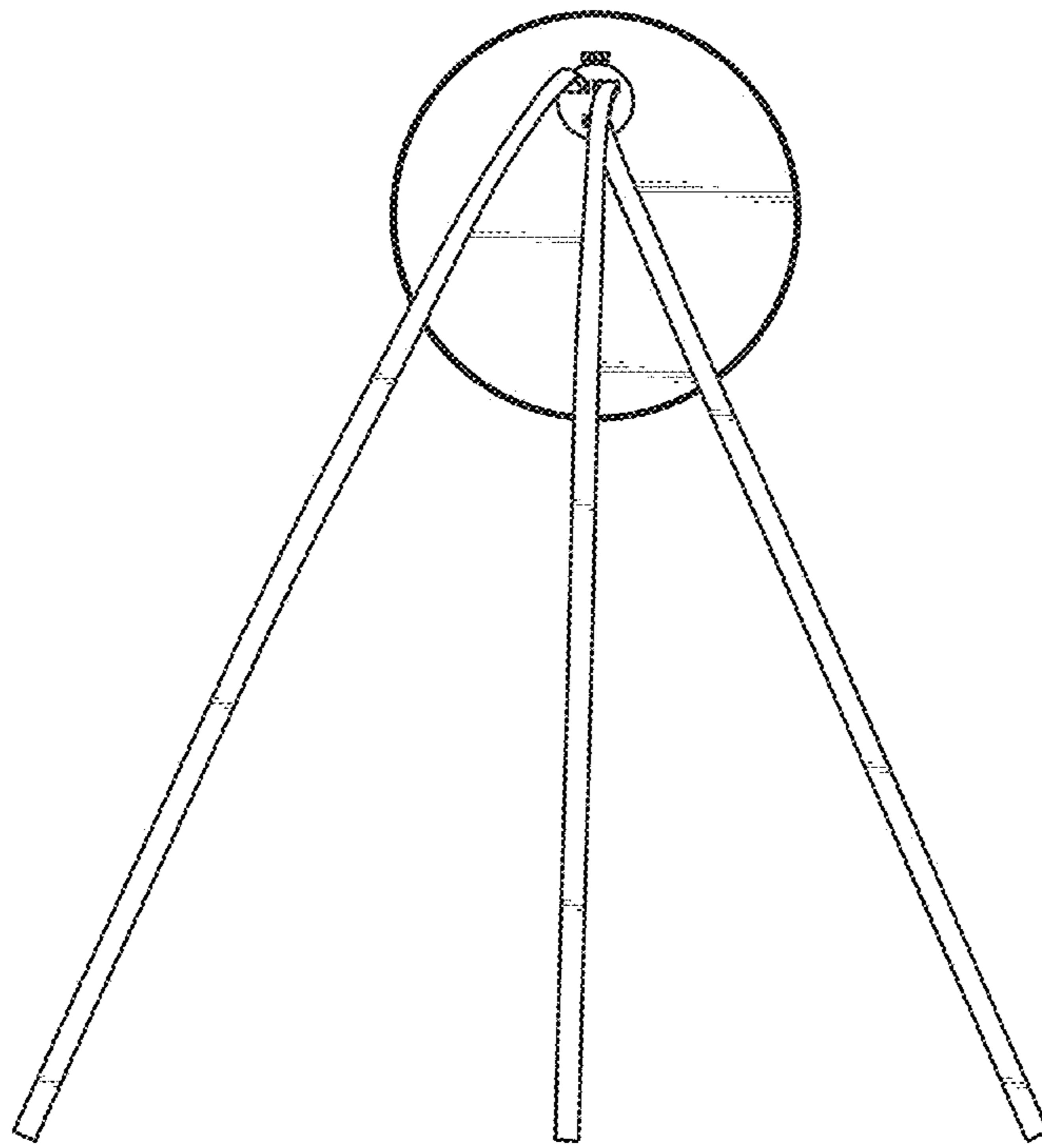


FIG. 6

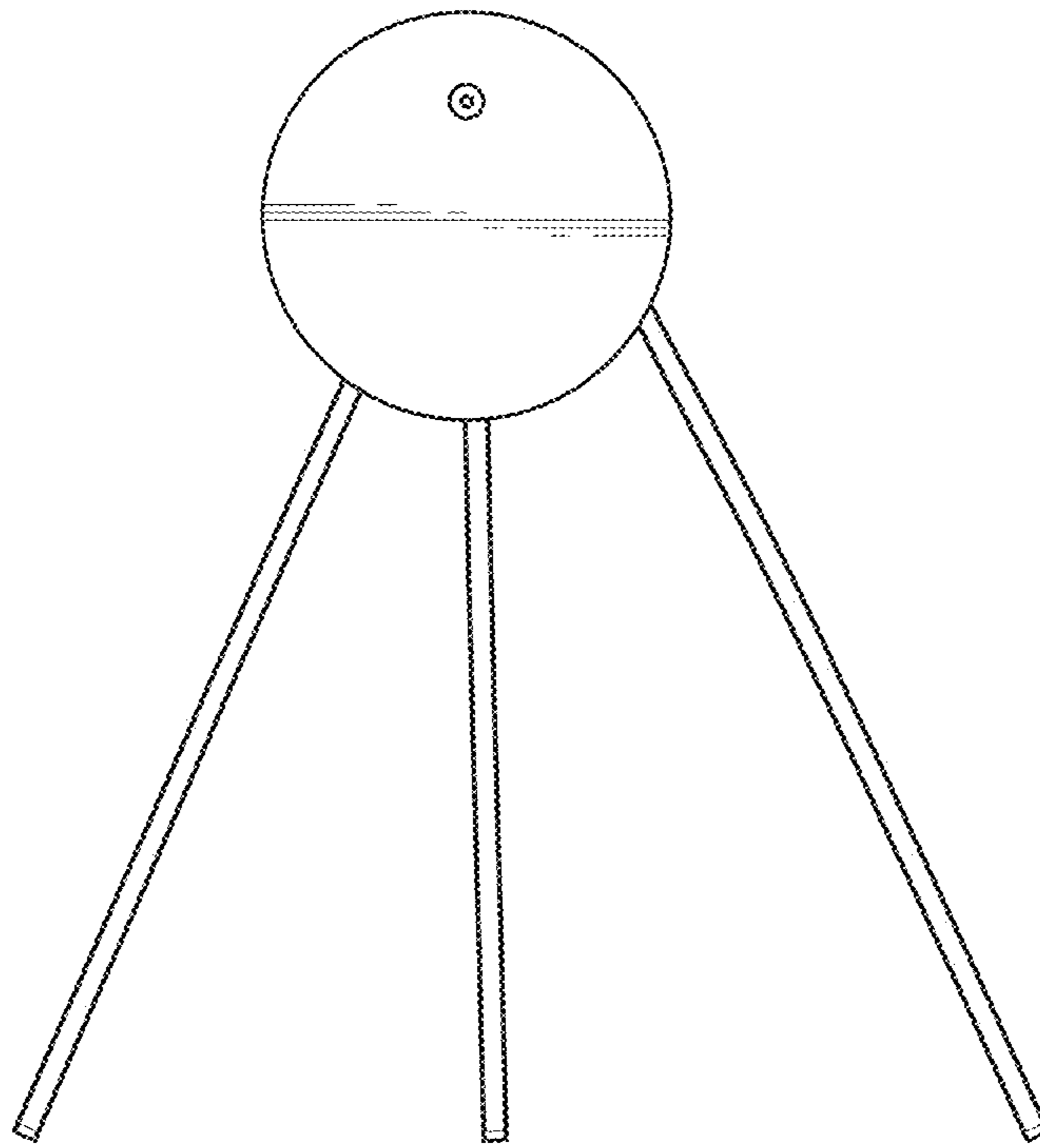


FIG. 7

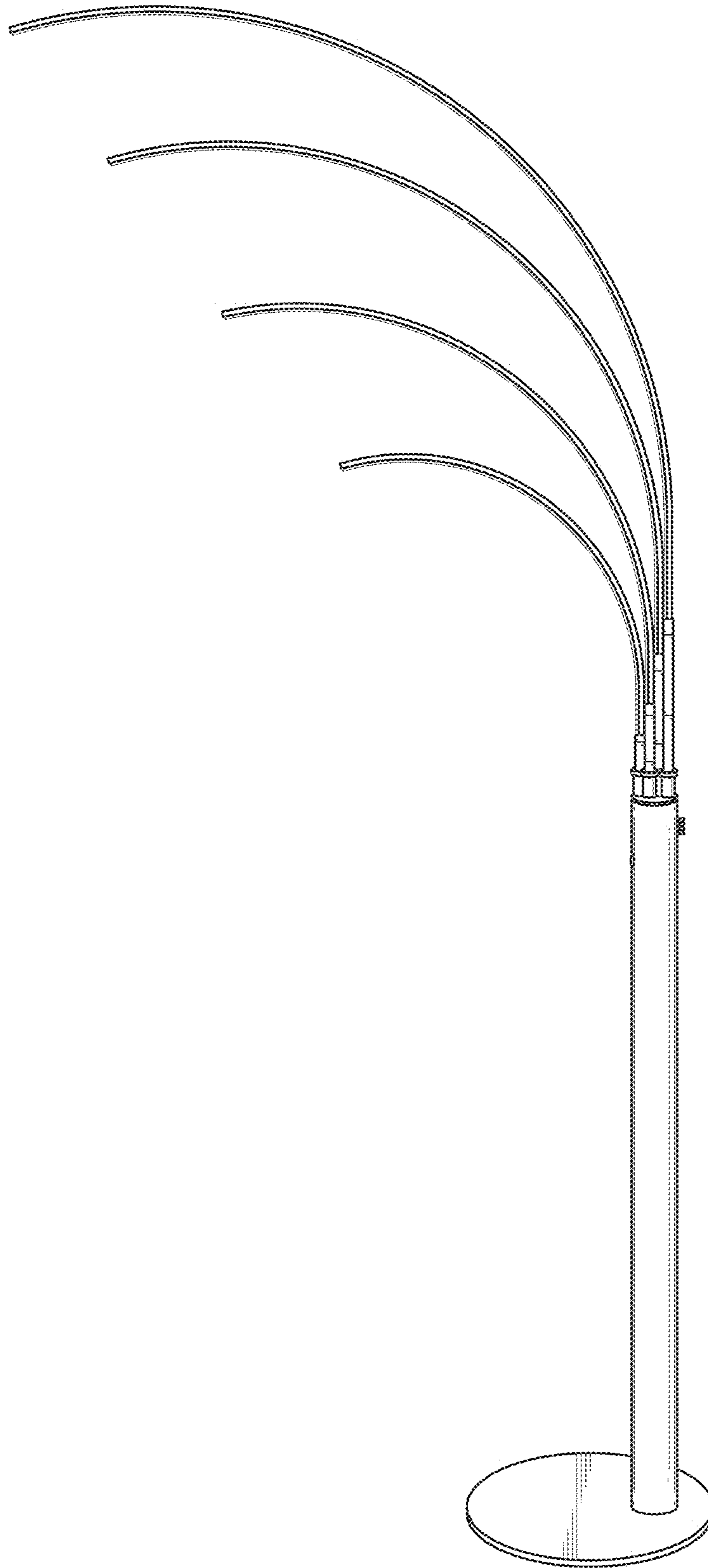


FIG. 8

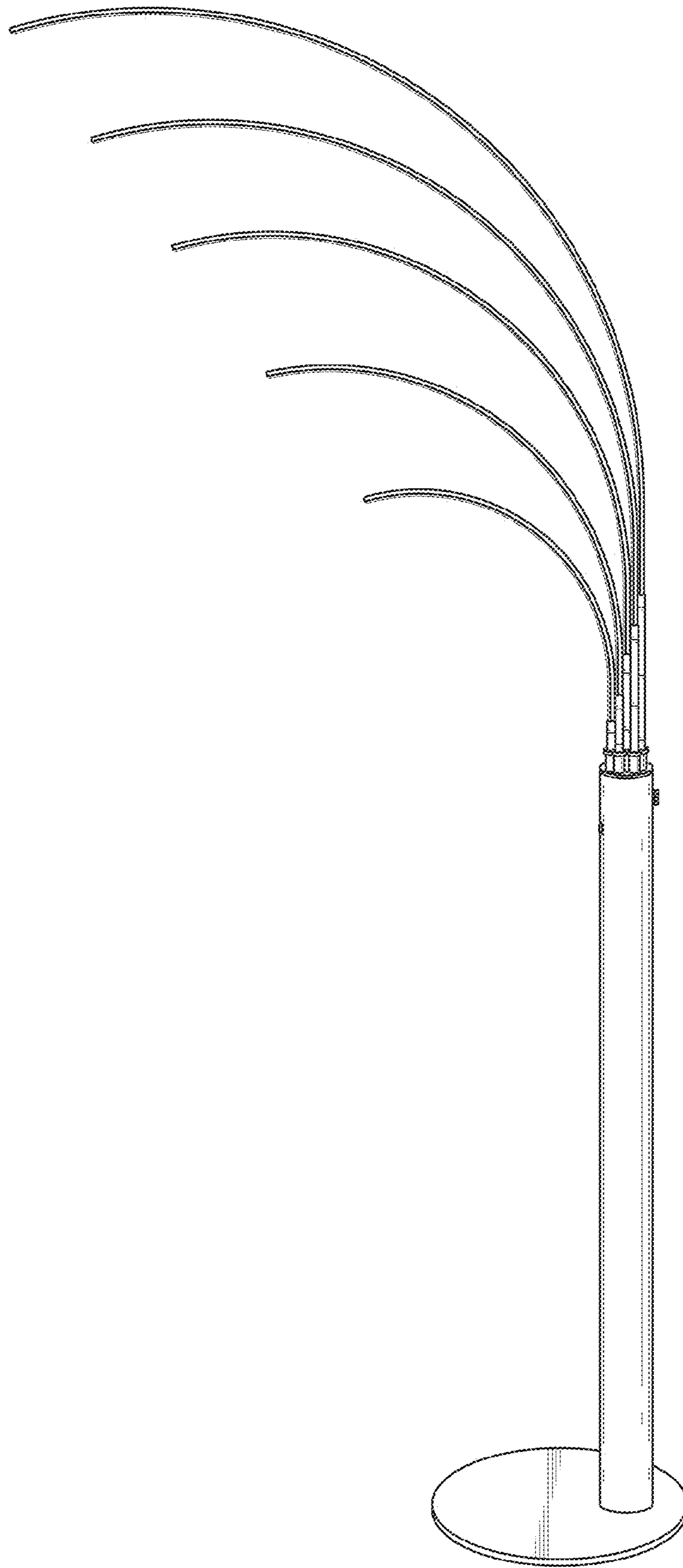


FIG. 9