



US00D915657S

(12) **United States Design Patent**
Zheng

(10) **Patent No.: US D915,657 S**

(45) **Date of Patent: ** Apr. 6, 2021**

(54) **VANITY LAMP**

(71) Applicant: **Xiaohui Zheng**, Guangdong (CN)

(72) Inventor: **Xiaohui Zheng**, Guangdong (CN)

(**) Term: **15 Years**

(21) Appl. No.: **29/731,881**

(22) Filed: **Apr. 20, 2020**

(51) **LOC (13) Cl. 26-03**

(52) **U.S. Cl.**

USPC **D26/86**

(58) **Field of Classification Search**

USPC D26/80, 85-87, 92

CPC F21S 8/03; F21S 8/035; F21S 8/036

See application file for complete search history.

(56) **References Cited**

U.S. PATENT DOCUMENTS

D816,881 S *	5/2018	Qiao	D26/86
D816,882 S *	5/2018	Qiao	D26/86
D869,730 S *	12/2019	Lin	D26/80
D879,354 S *	3/2020	Lin	D26/87
D888,316 S *	6/2020	Huang	D26/86
D898,269 S *	10/2020	Huang	D26/86
D907,275 S *	1/2021	Chen	D26/86
2013/0077295 A1 *	3/2013	Hayashi	H05K 1/0271 362/217.05

OTHER PUBLICATIONS

Puseky Mirror Front Light Bathroom Vanity Light, ASIN: B08P5DXQG1 available at amazon.com Nov. 26, 2020. (Year: 2020).*

Aipsun 3 Lights Crystal Vanity Light, ASIN: B085L5L4PB available at amazon.com Mar. 6, 2020. (Year: 2020).*

* cited by examiner

Primary Examiner — Clare E Heflin

(74) *Attorney, Agent, or Firm* — ZANIP

(57) **CLAIM**

The ornamental design for a vanity lamp, as shown and described.

DESCRIPTION

FIG. 1 is a front and top perspective view of a vanity lamp, showing my new design;

FIG. 2 is a rear and bottom perspective view thereof;

FIG. 3 is a front elevational view thereof;

FIG. 4 is a rear elevational view thereof;

FIG. 5 is a left side elevational view thereof;

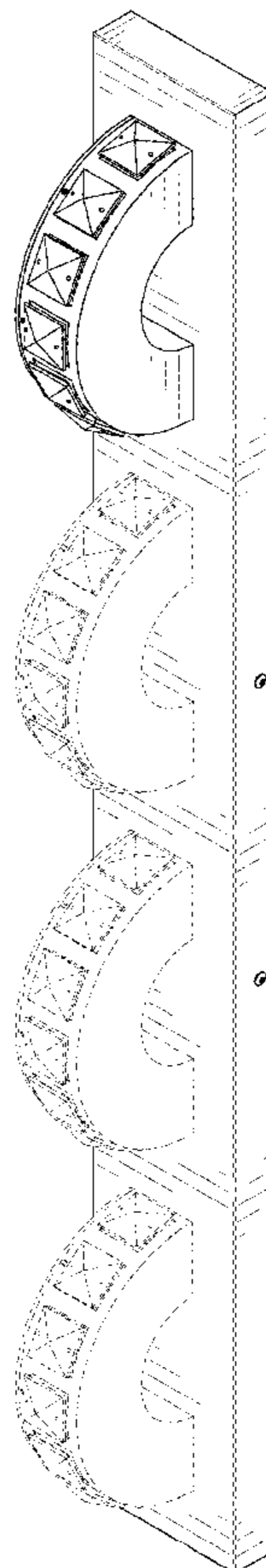
FIG. 6 is a right side elevational view thereof;

FIG. 7 is a top plan view thereof; and,

FIG. 8 is a bottom plan view thereof.

The broken lines in the figures illustrate portions of the vanity lamp that form no part of the claimed design.

1 Claim, 8 Drawing Sheets



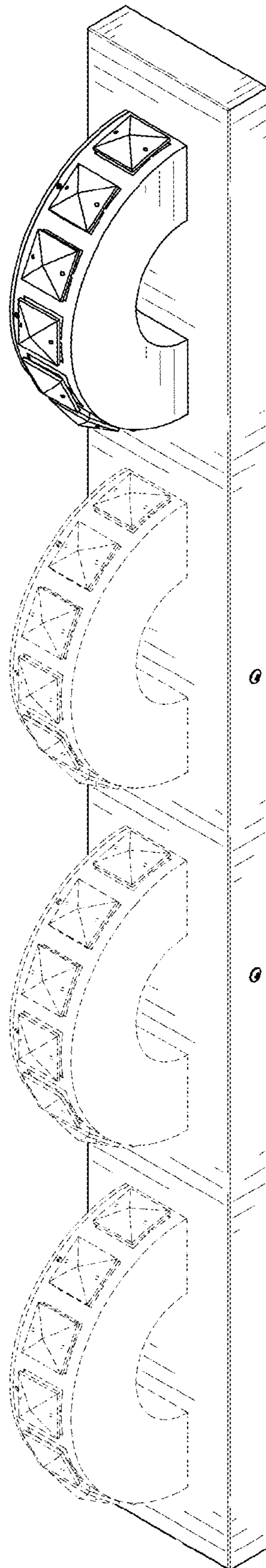


FIG. 1

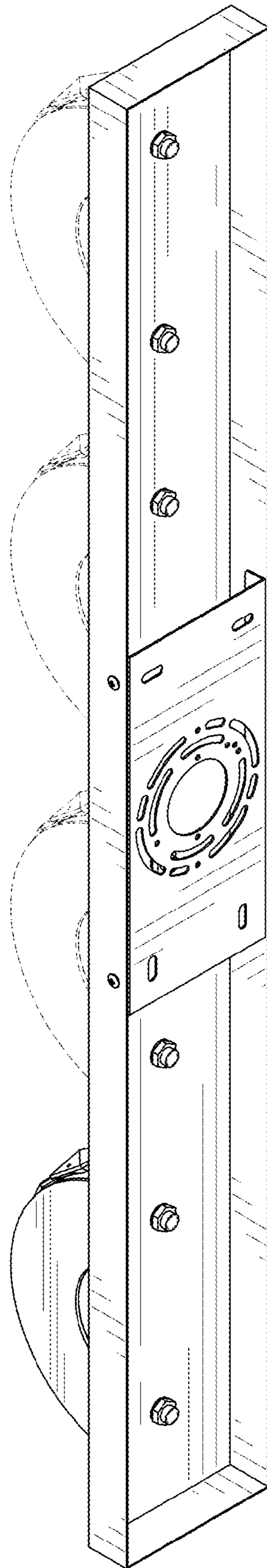


FIG. 2

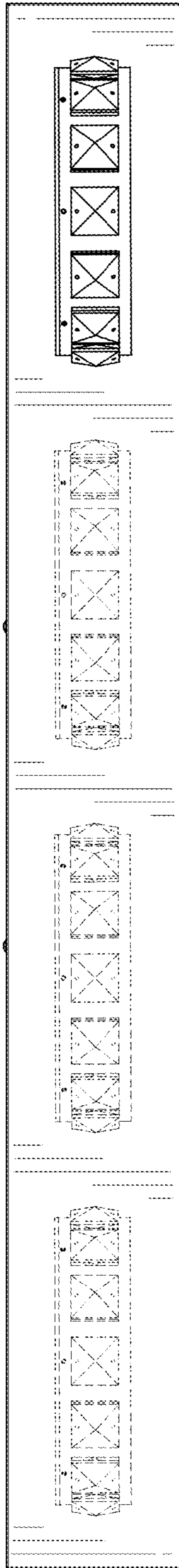


FIG. 3

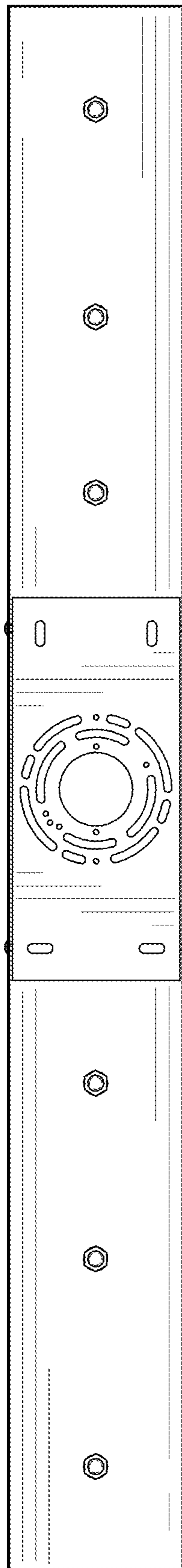


FIG. 4

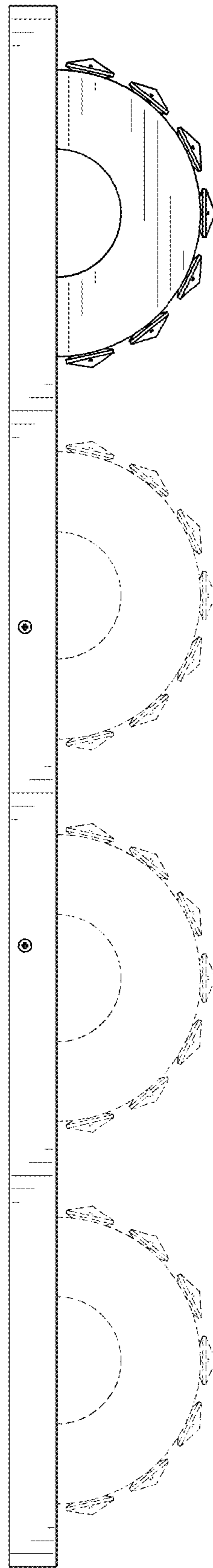


FIG. 5

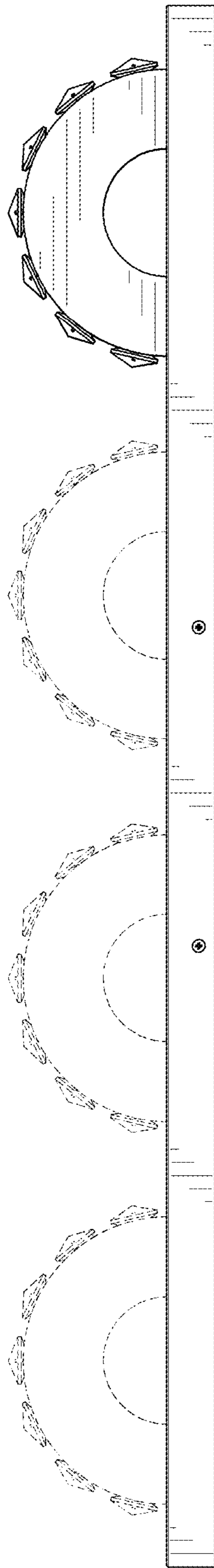


FIG. 6

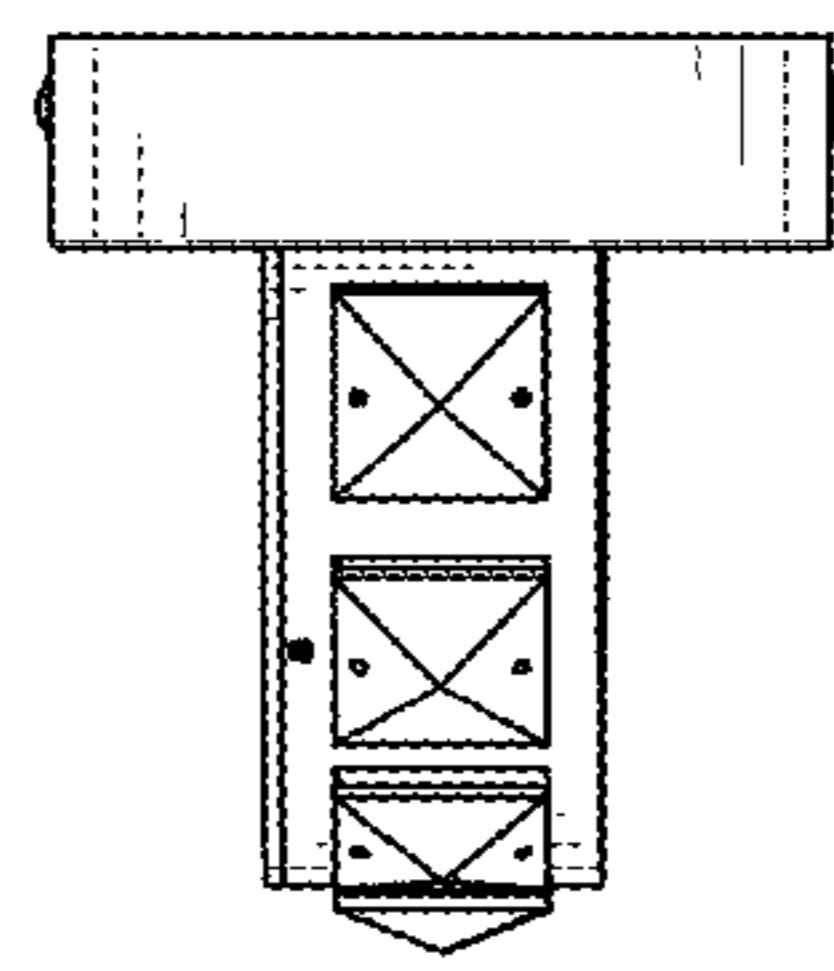


FIG. 7

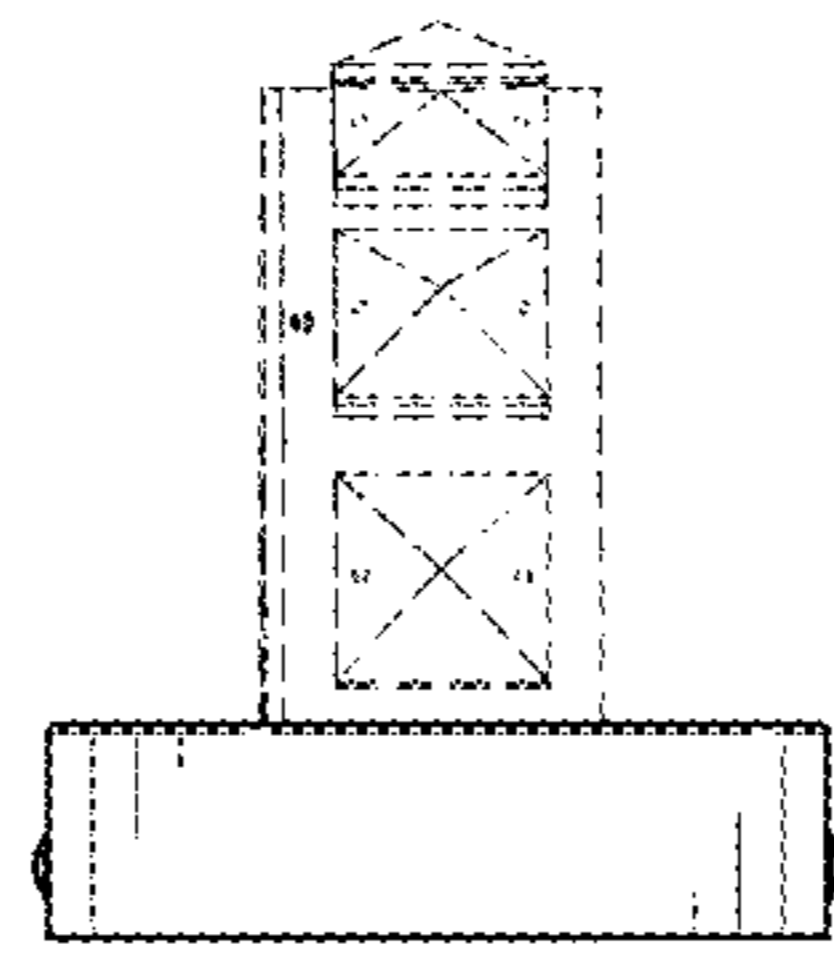


FIG. 8