



US00D915655S

(12) **United States Design Patent**
Liu

(10) **Patent No.:** **US D915,655 S**

(45) **Date of Patent:** **** Apr. 6, 2021**

(54) **SOLAR LAMP**

(71) Applicant: **Shenzhen Ennoplus Technology Co., Ltd.**, Shenzhen (CN)

(72) Inventor: **Hangyu Liu**, Shenzhen (CN)

(73) Assignee: **SHENZHEN ENNOPLUS TECHNOLOGY CO., LTD.**, Shenzhen (CN)

(**) Term: **15 Years**

(21) Appl. No.: **29/678,250**

(22) Filed: **Jan. 28, 2019**

(51) **LOC (13) Cl.** **26-05**

(52) **U.S. Cl.**
USPC **D26/74**

(58) **Field of Classification Search**
USPC D26/74, 72, 75, 76, 77, 78, 85, 88, 89,
D26/118, 138, 141, 67, 70; 362/364,
362/365, 373, 145, 146, 147, 148, 150,
362/153, 153.1, 294, 296.01, 296.07,
362/296.08

CPC F21V 29/2262; F21V 7/06; F21V 21/044;
F21V 21/047; F21V 29/2212; F21V
29/2225; F21V 29/2256; F21V 29/225;
F21V 29/2268; F21Y 2111/002; F21S
8/02; F21S 8/026

See application file for complete search history.

(56) **References Cited**

U.S. PATENT DOCUMENTS

D341,441 S * 11/1993 Shapiro D26/118
D407,155 S * 3/1999 Liu D23/377
D556,938 S * 12/2007 Russello D26/89

D636,118 S * 4/2011 Kim D26/138
D646,830 S * 10/2011 Pan D26/74
D688,826 S * 8/2013 Fang D26/74
D726,951 S * 4/2015 Serwacki D26/74
D781,487 S * 3/2017 Starck D26/89
D850,697 S * 6/2019 Wang D26/74
D868,339 S * 11/2019 Recker D26/85
D891,675 S * 7/2020 Liu D26/85

* cited by examiner

Primary Examiner — Angela J Lee

(57) **CLAIM**

The ornamental design for a solar lamp, as shown and as described.

DESCRIPTION

FIG. 1 is a first perspective view of a first embodiment of a solar lamp showing my new design;

FIG. 2 is a second perspective view of the embodiment thereof;

FIG. 3 is a front elevation view of the embodiment thereof;

FIG. 4 is a rear elevation view of the embodiment thereof;

FIG. 5 is a left side elevation view of the embodiment thereof;

FIG. 6 is a right side elevation view of the embodiment thereof;

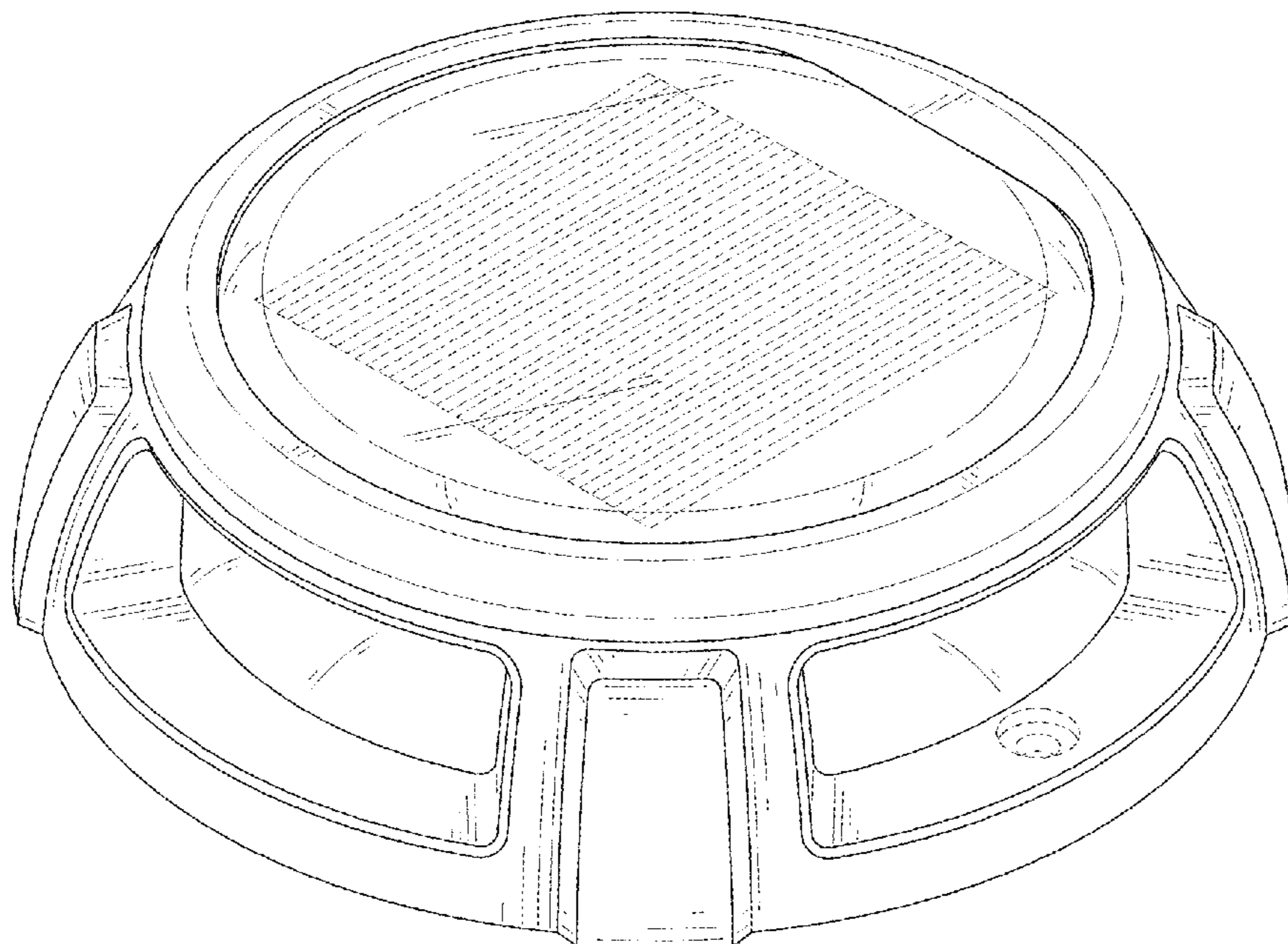
FIG. 7 is a top plan view of the embodiment thereof;

FIG. 8 is a bottom plan view of the embodiment thereof;

and,
FIG. 9 shows a perspective view of the solar lamp assembled with a supporting element in used, the supporting element shows an environment and forms no part of the claimed design.

The broken lines in FIG. 1 through FIG. 9 illustrate environment and portions of the solar lamp which form no part of the claimed design.

1 Claim, 9 Drawing Sheets



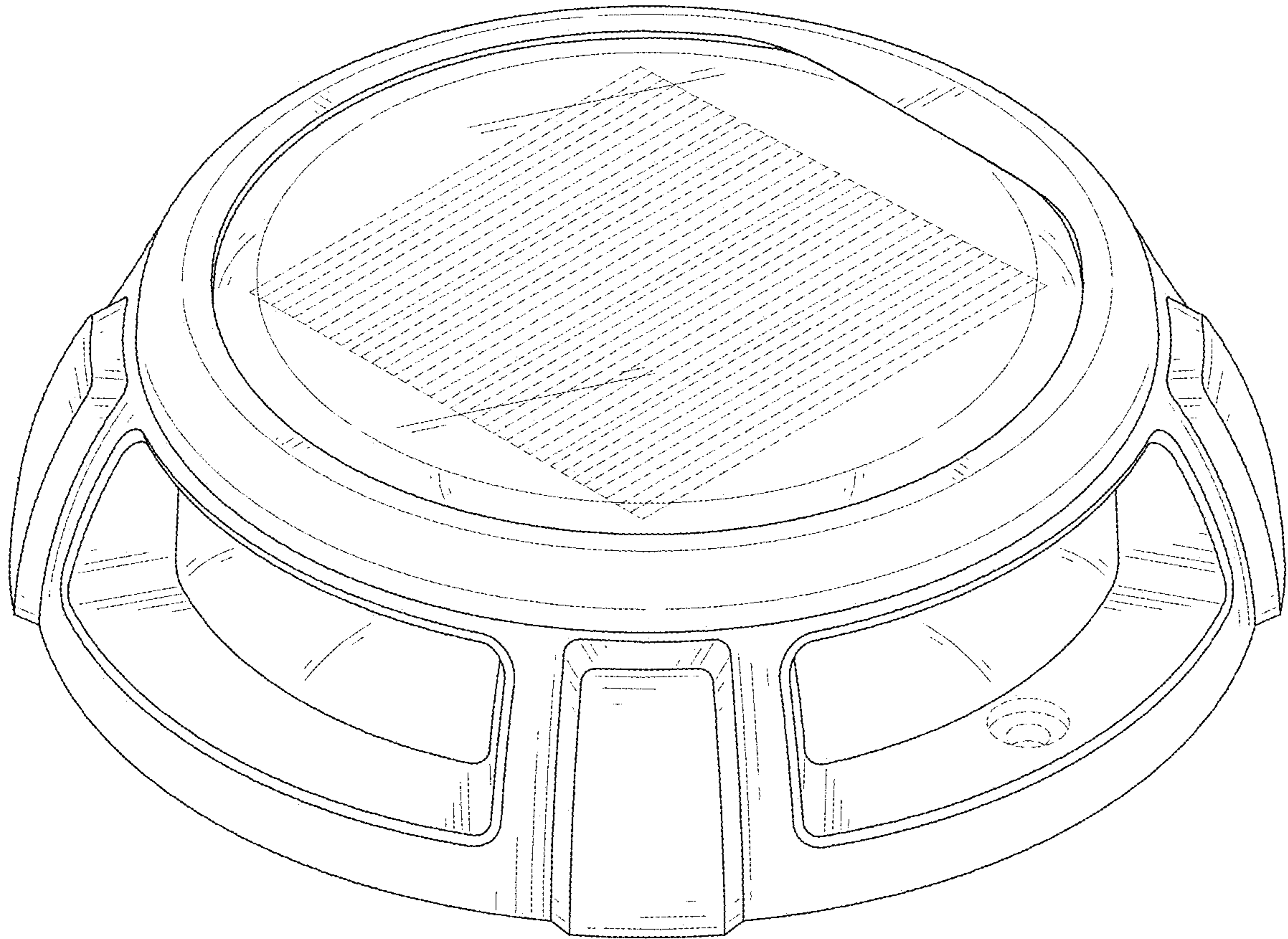


FIG. 1

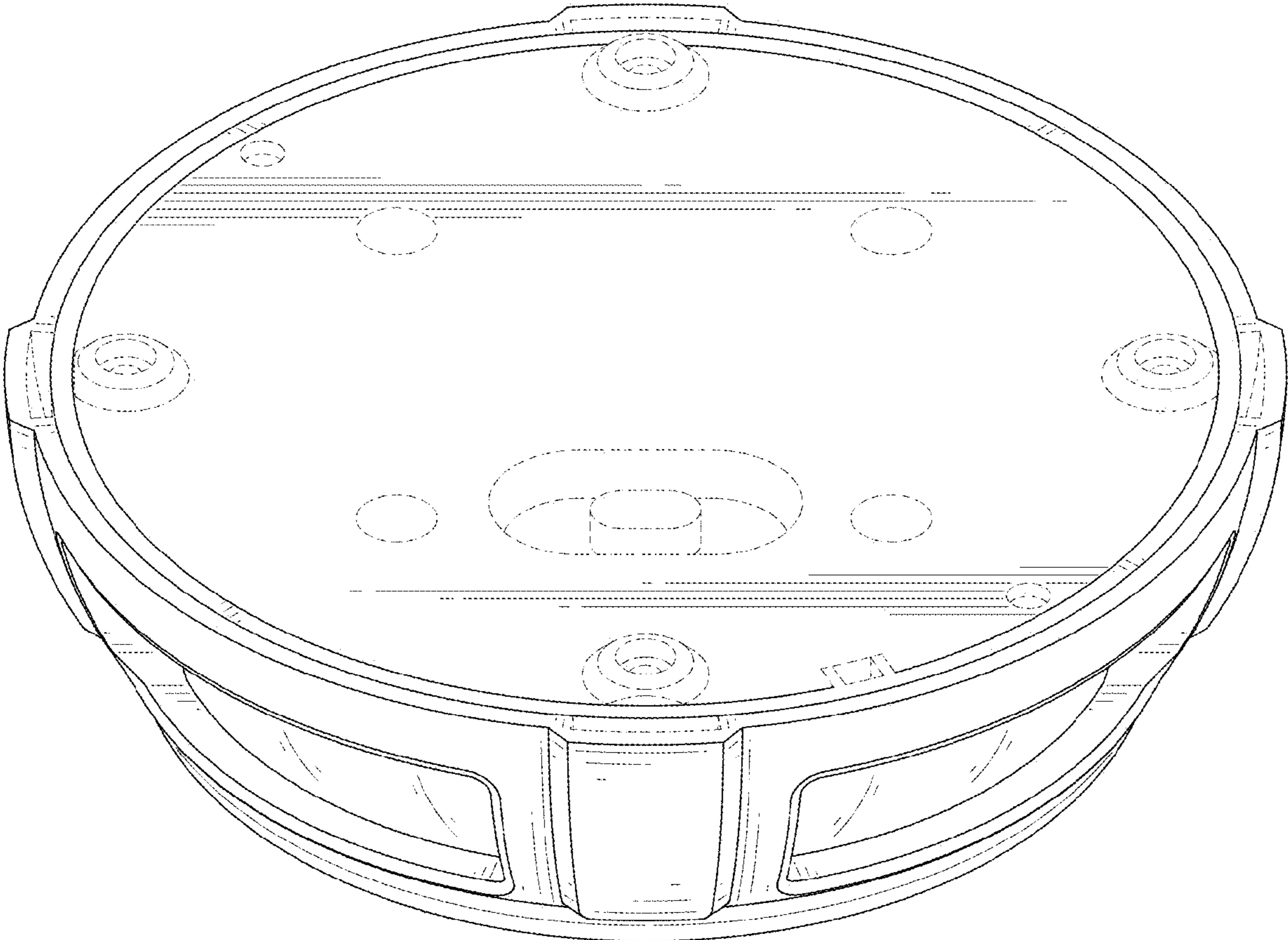


FIG. 2

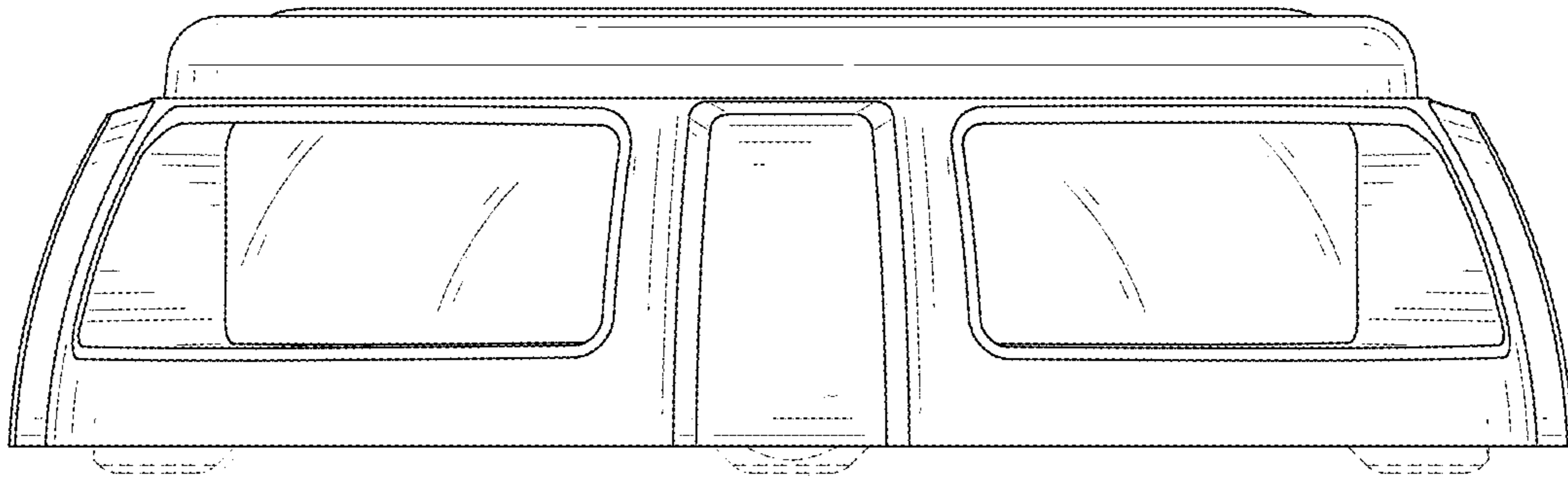


FIG. 3

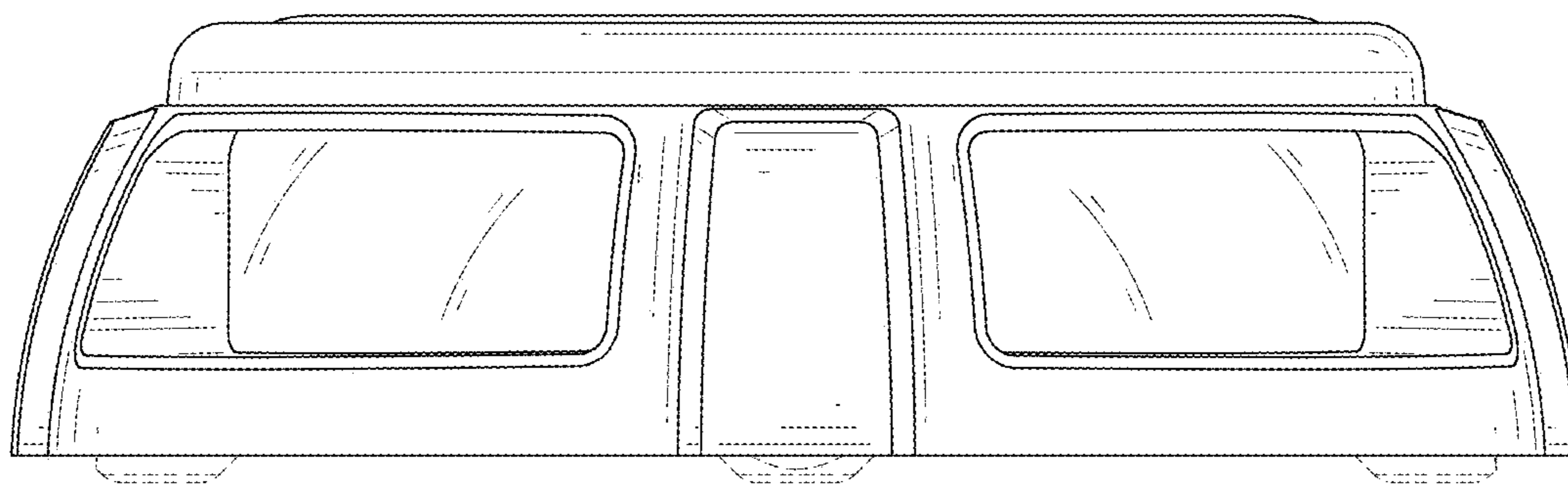


FIG. 4

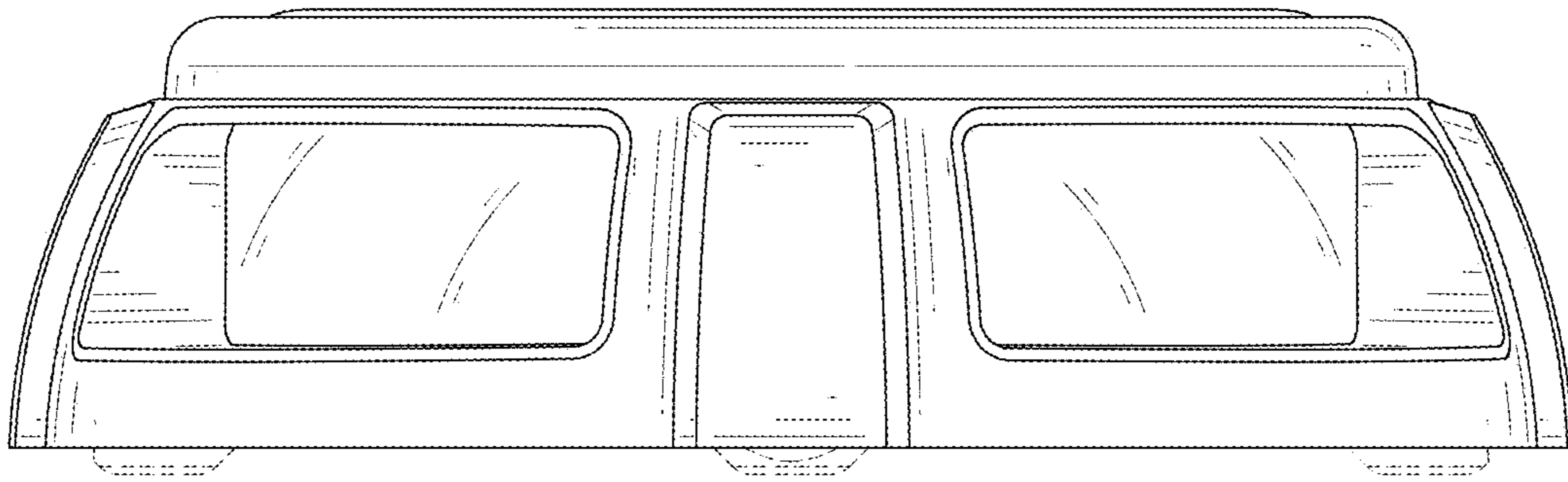


FIG. 5

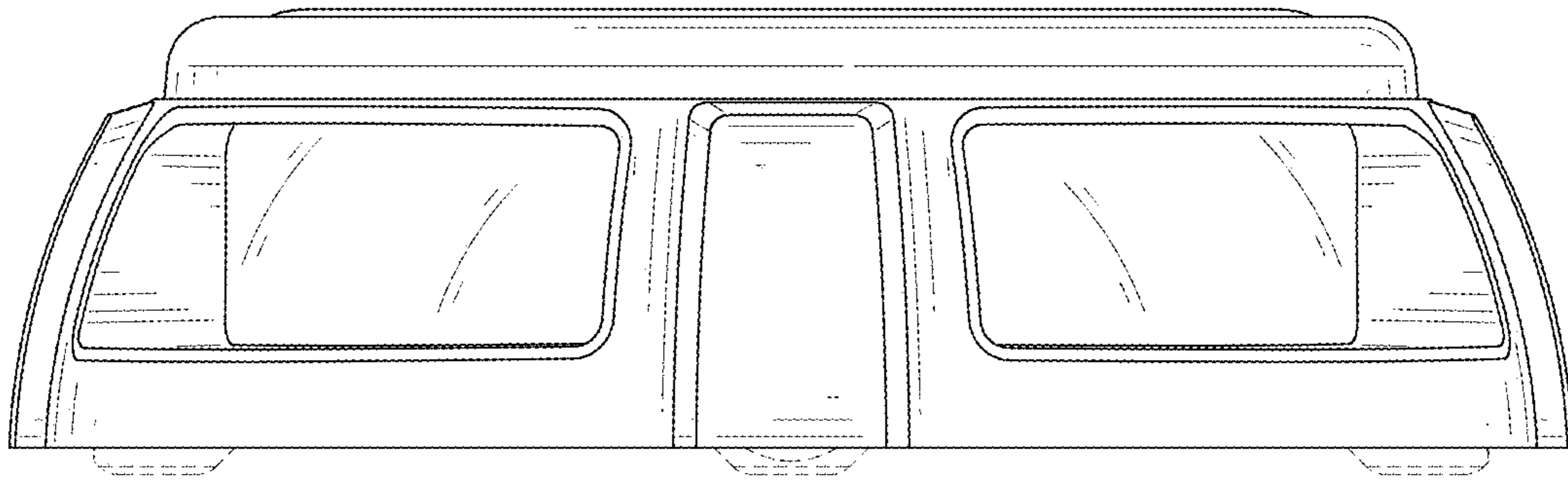


FIG. 6

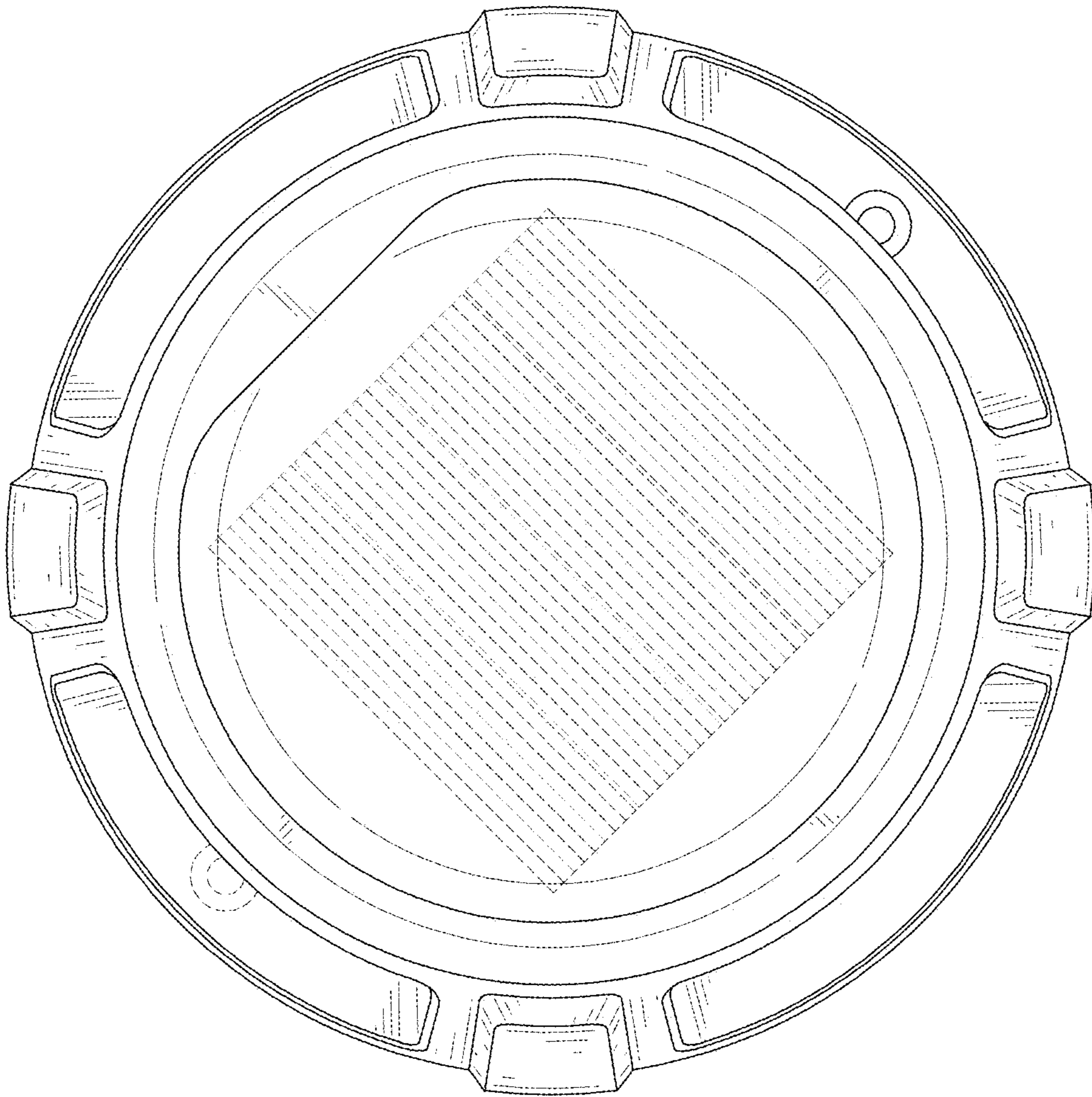


FIG. 7

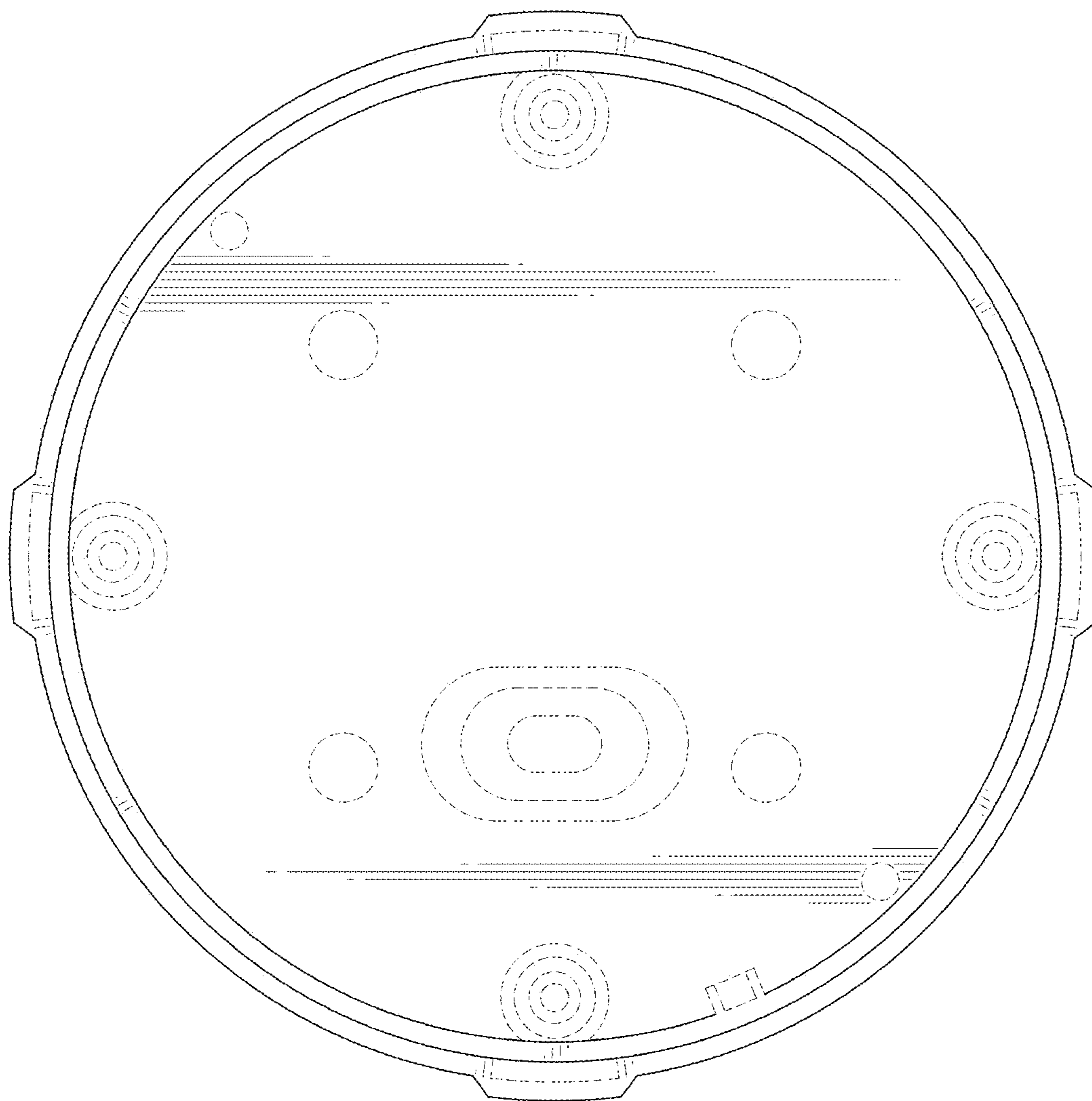


FIG. 8

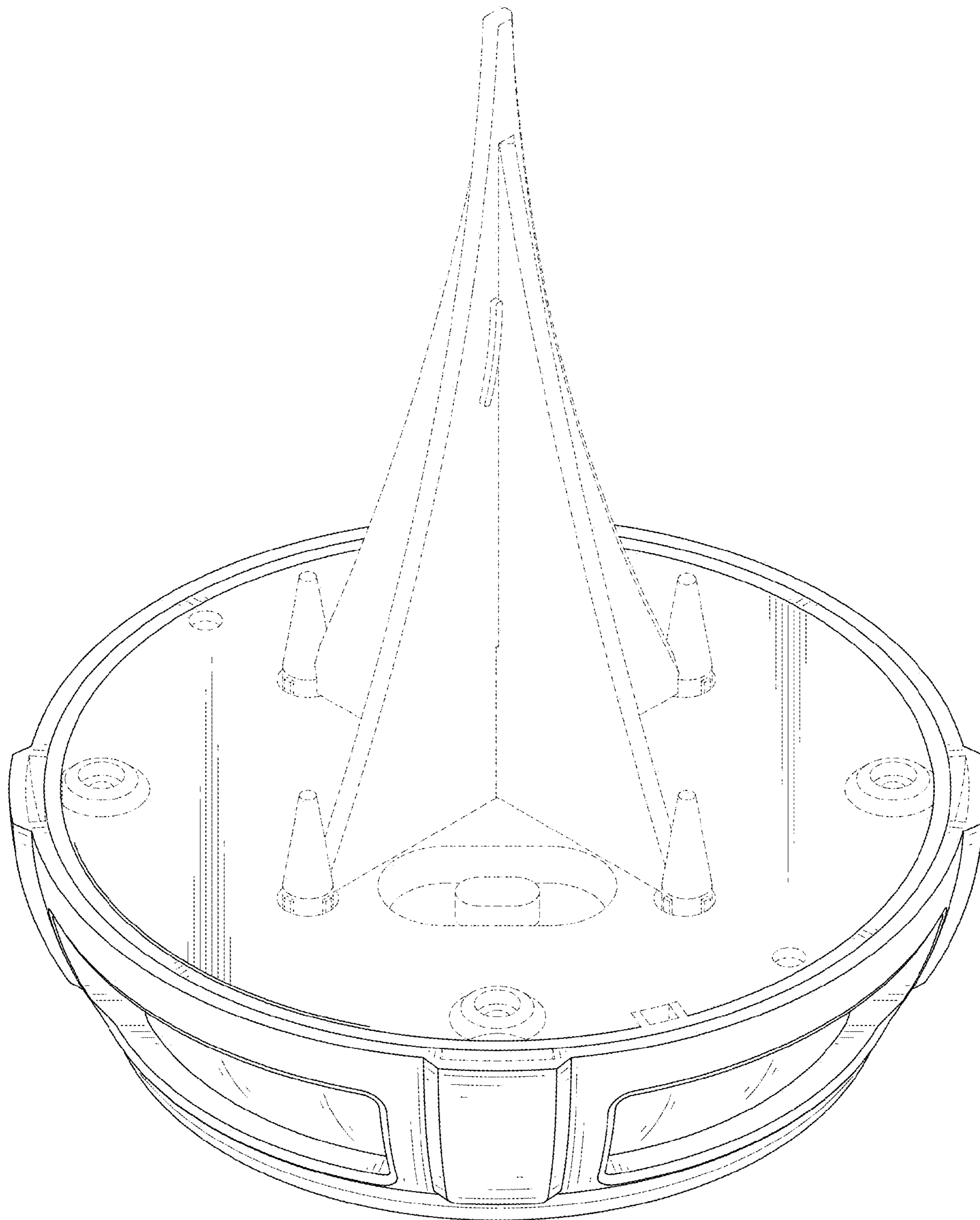


FIG. 9