



US00D915654S

(12) **United States Design Patent** (10) **Patent No.:** **US D915,654 S**  
**Hsu** (45) **Date of Patent:** **\*\* Apr. 6, 2021**

(54) **GROUND INSERT LAMP**

(71) Applicant: **Dong Guan Jia Sheng Lighting Technology Co., Ltd. China, Dong-Guna (CN)**

(72) Inventor: **Kevin Hsu, Taichung (TW)**

(73) Assignee: **Dong Guan Jia Sheng Lighting Technology Co., Ltd. China, Guang-Dong (CN)**

(\*\*) Term: **15 Years**

(21) Appl. No.: **29/718,716**

(22) Filed: **Dec. 27, 2019**

(51) **LOC (13) Cl.** ..... **26-03**

(52) **U.S. Cl.**  
USPC ..... **D26/63**

(58) **Field of Classification Search**  
USPC ..... D26/24, 60-71, 85, 92, 113, 118, 119  
CPC ..... F21V 21/14; F21V 15/01; F21V 14/02;  
F21V 21/30; F21V 14/00; F21Y  
2105/001; F21S 8/00  
See application file for complete search history.

(56) **References Cited**

**U.S. PATENT DOCUMENTS**

D797,975 S \* 9/2017 Lentine ..... D26/63  
9,752,761 B2\* 9/2017 Lentine ..... F21S 6/001

10,125,956 B2 \* 11/2018 Veloskey ..... F21S 8/081  
D853,612 S \* 7/2019 Zhu ..... D26/63  
D874,703 S \* 2/2020 Wu ..... D26/63  
2017/0198887 A1\* 7/2017 Veloskey ..... F21V 17/02  
2020/0191366 A1\* 6/2020 Mullen ..... F21V 21/0824

\* cited by examiner

*Primary Examiner* — Brian N. Vinson

(74) *Attorney, Agent, or Firm* — Alan D. Kamrath; Mayer & Williams PC

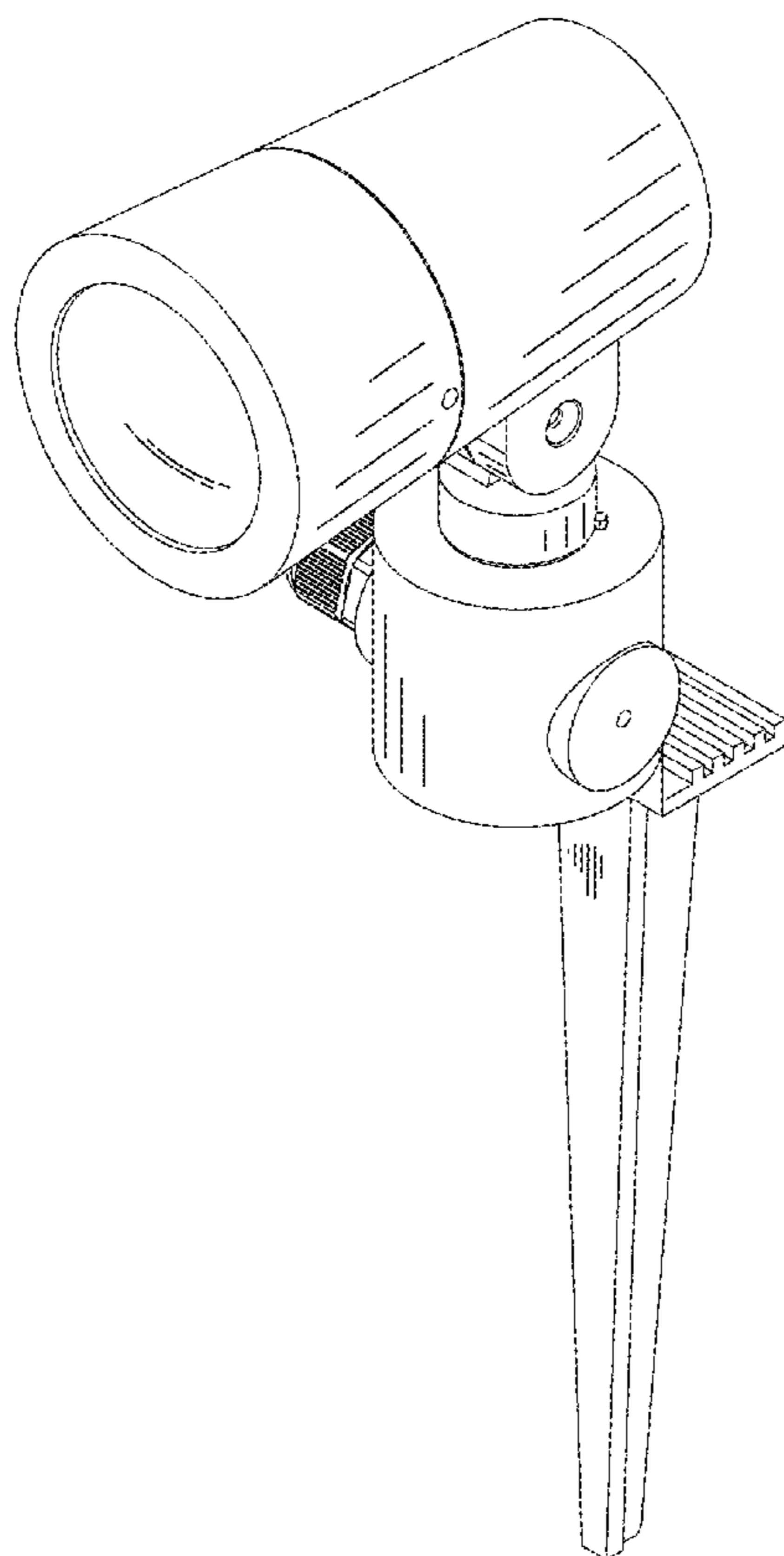
(57) **CLAIM**

The ornamental design for a ground insert lamp, as shown and described.

**DESCRIPTION**

FIG. 1 is a perspective view of a ground insert lamp showing my design.  
FIG. 2 is a front elevational view thereof.  
FIG. 3 is a rear elevational view thereof.  
FIG. 4 is a left side elevational view thereof.  
FIG. 5 is a right side elevational view thereof.  
FIG. 6 is a top plan view thereof; and,  
FIG. 7 is a bottom plan view thereof.

**1 Claim, 7 Drawing Sheets**



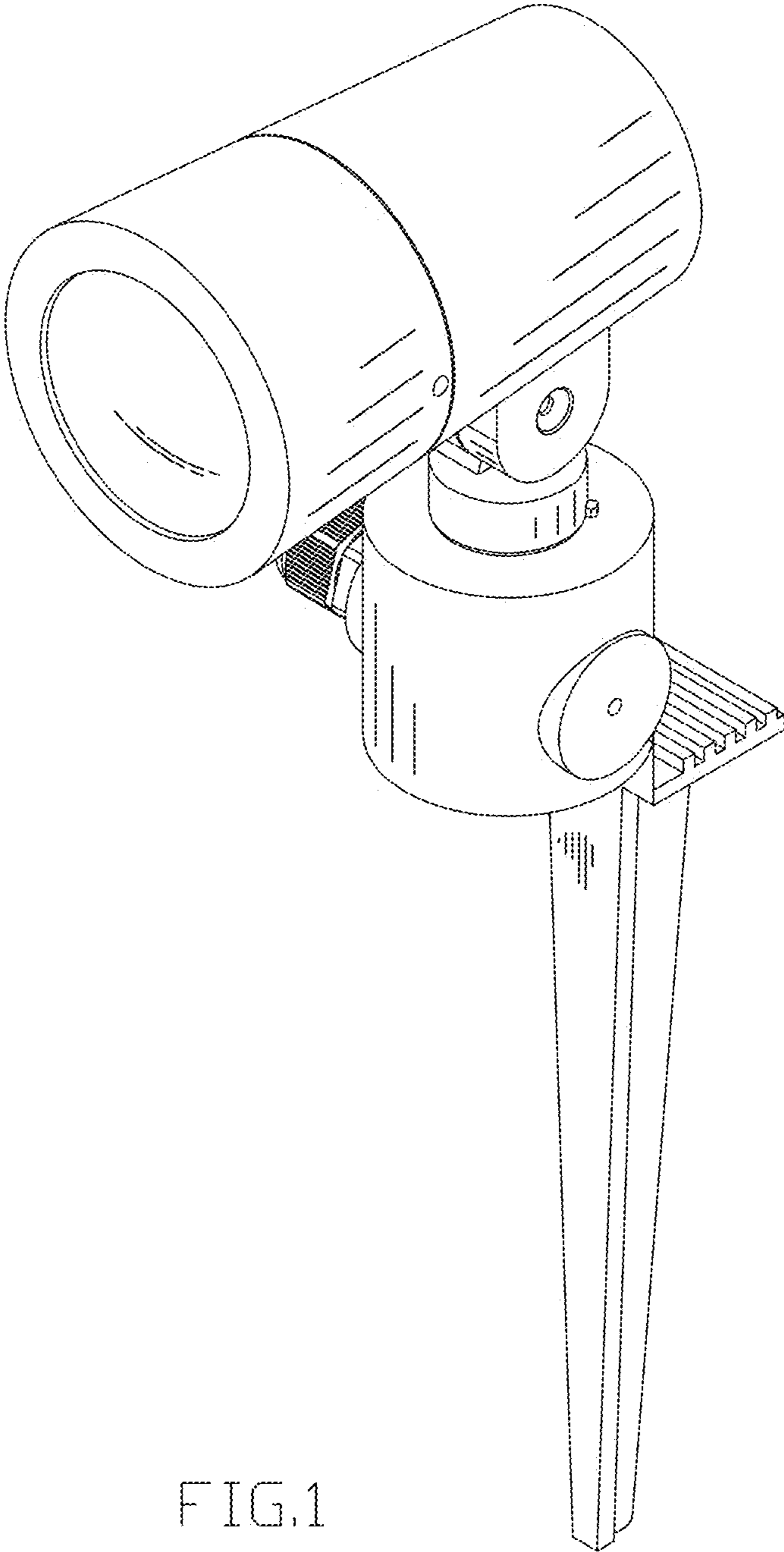


FIG.1

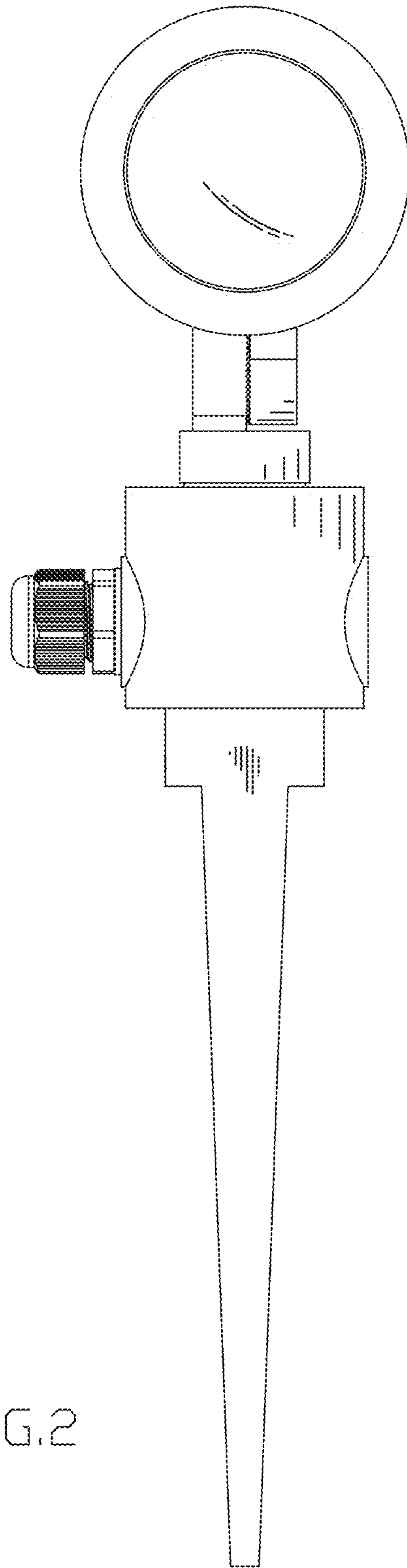


FIG.2

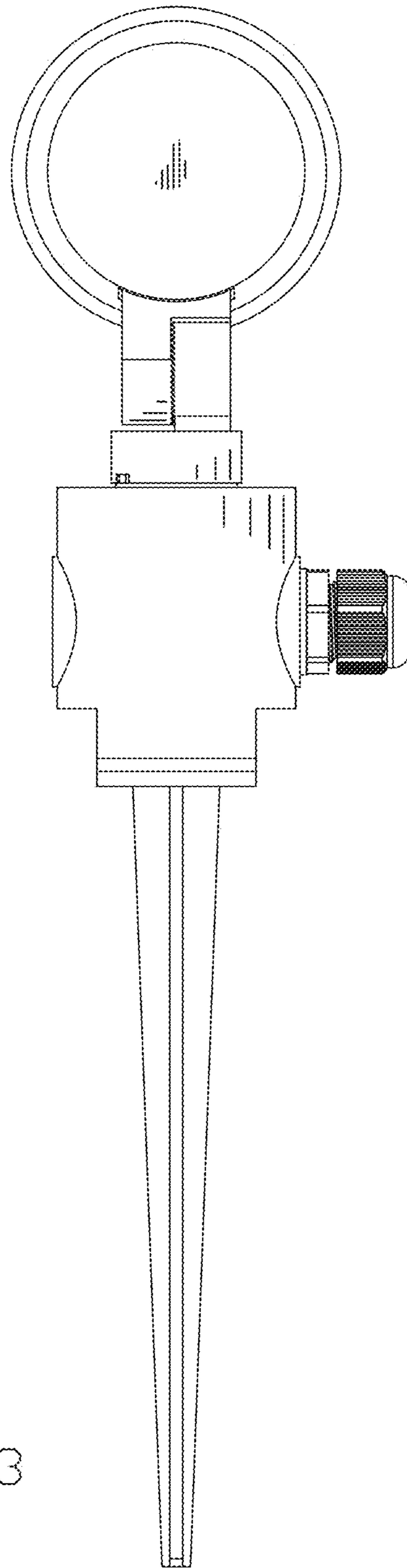


FIG.3

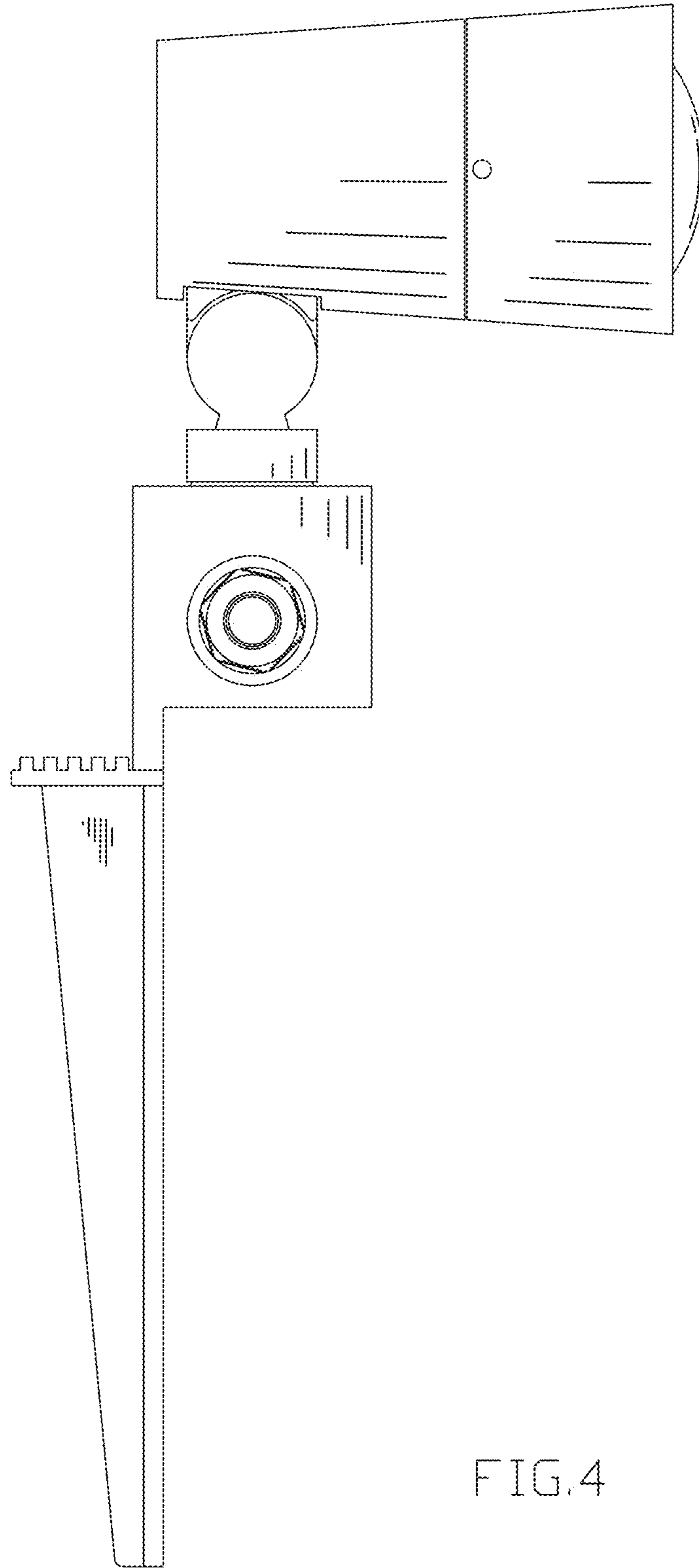


FIG.4

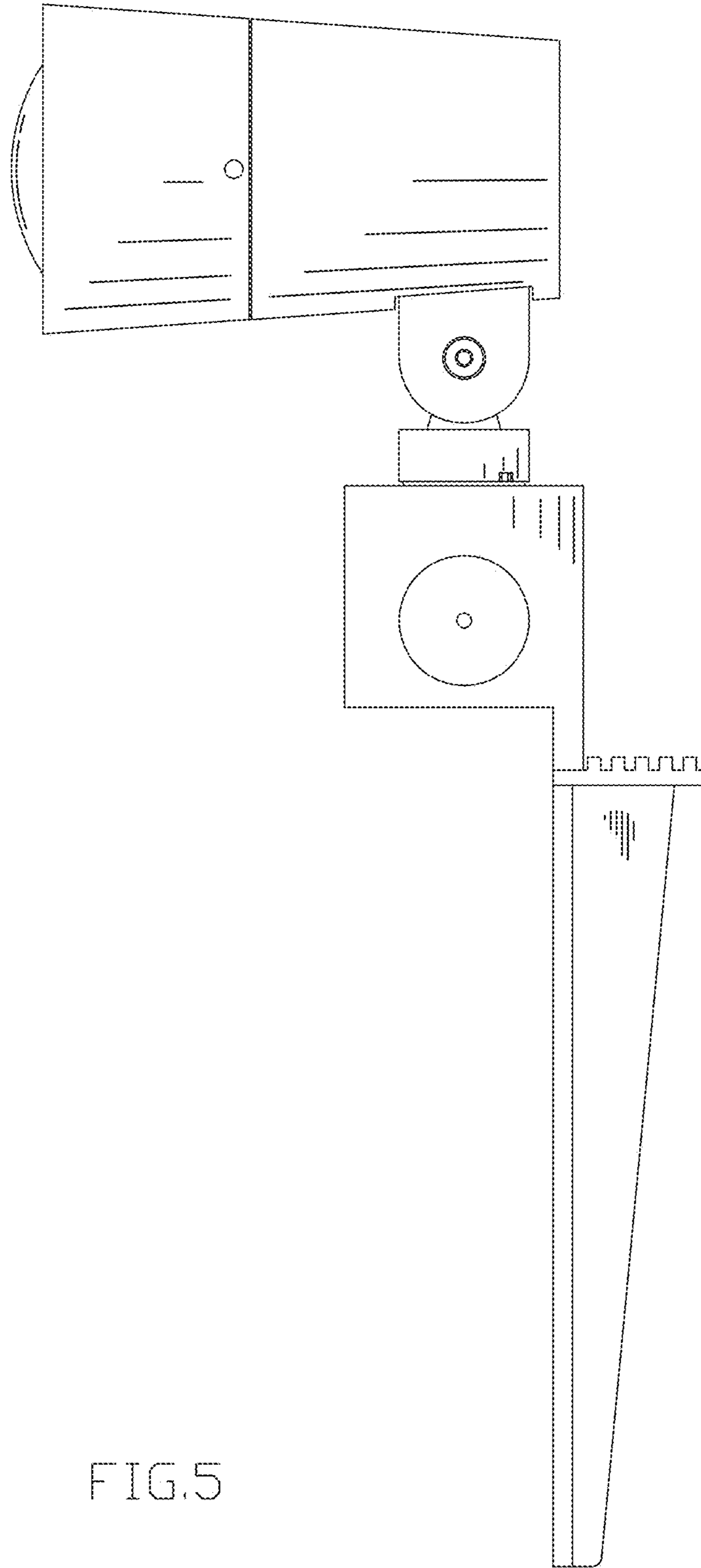


FIG. 5

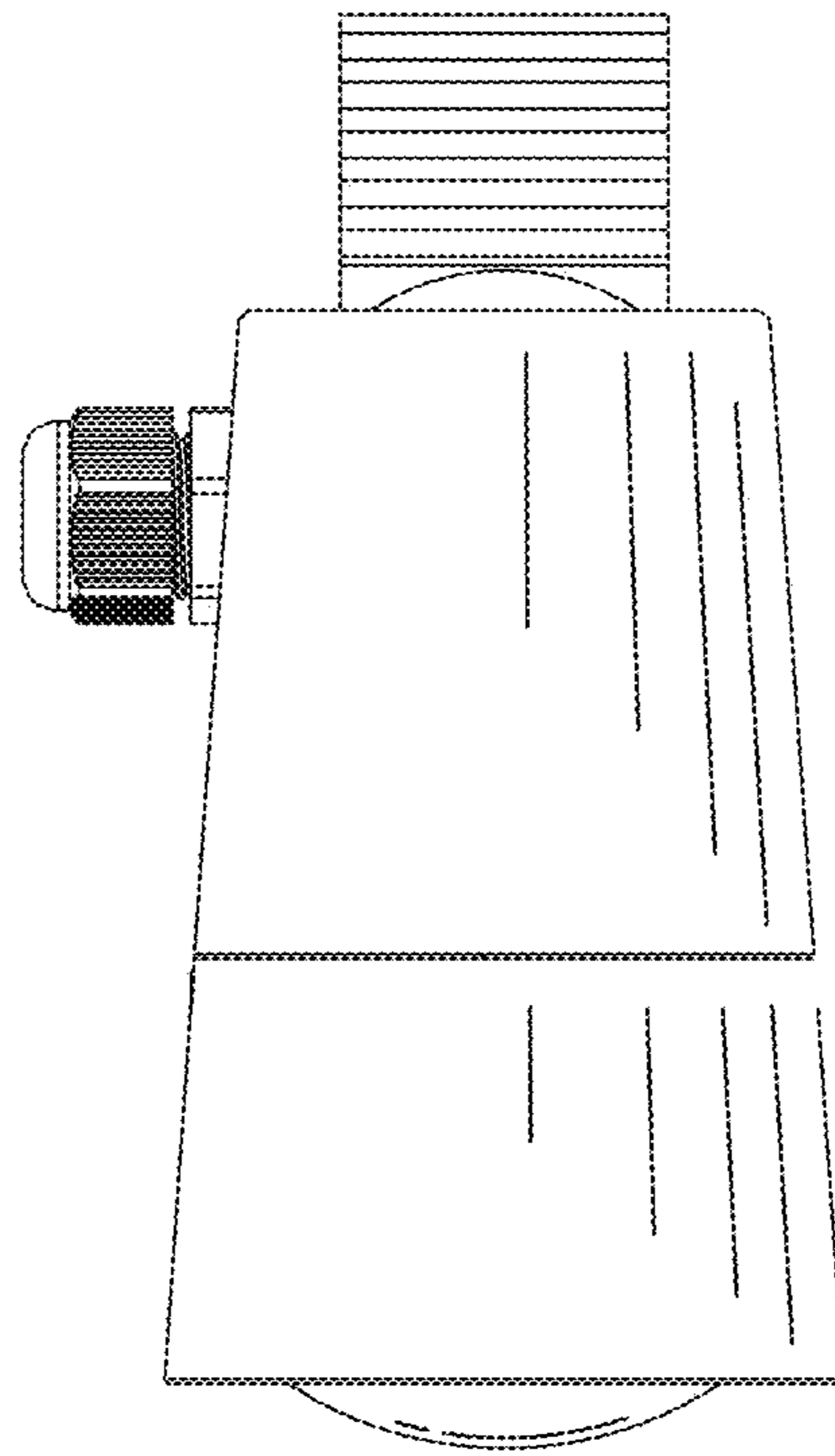


FIG.6

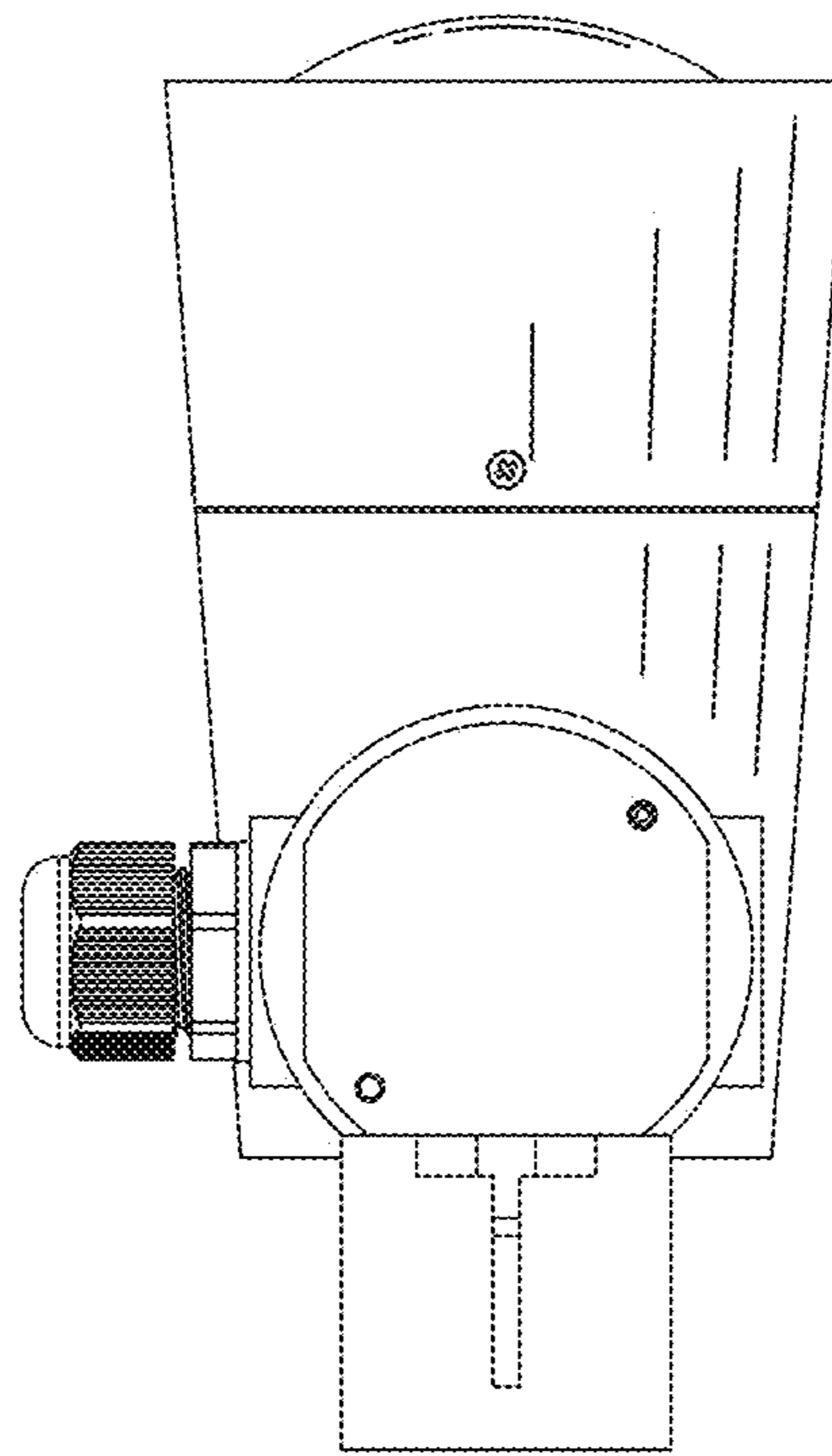


FIG. 7