

US00D915652S

(12) **United States Design Patent**  
**Li**

(10) **Patent No.:** **US D915,652 S**

(45) **Date of Patent:** **\*\* Apr. 6, 2021**

(54) **STAGE LAMP WITH STARRY SKY EFFECT**

(71) Applicant: **Jing Li**, Guangxi (CN)

(72) Inventor: **Jing Li**, Guangxi (CN)

(\*\*) Term: **15 Years**

(21) Appl. No.: **29/700,638**

(22) Filed: **Aug. 5, 2019**

(51) **LOC (13) Cl.** ..... **26-03**

(52) **U.S. Cl.**  
USPC ..... **D26/63**

(58) **Field of Classification Search**  
USPC ..... D26/1, 24, 61, 63, 65, 85, 92, 118  
CPC ..... F21V 21/14; F21V 15/01; F21V 14/02;  
F21V 21/30; F21V 21/00; F21V 14/00;  
F21S 8/00; F21S 8/003; F21S 8/043;  
F21Y 2105/001  
See application file for complete search history.

(56) **References Cited**

**U.S. PATENT DOCUMENTS**

D589,636 S \* 3/2009 Pinette ..... D26/63  
D715,474 S \* 10/2014 Janos ..... D26/63

D806,298 S \* 12/2017 Recker ..... D26/63  
10,197,246 B2 \* 2/2019 Hsu ..... F21V 5/04  
D846,784 S \* 4/2019 Luo ..... D26/63  
D855,231 S \* 7/2019 Huang ..... D26/63  
D882,142 S \* 4/2020 Huang ..... D26/63  
D890,974 S \* 7/2020 Huang ..... D26/63

\* cited by examiner

*Primary Examiner* — Brian N. Vinson

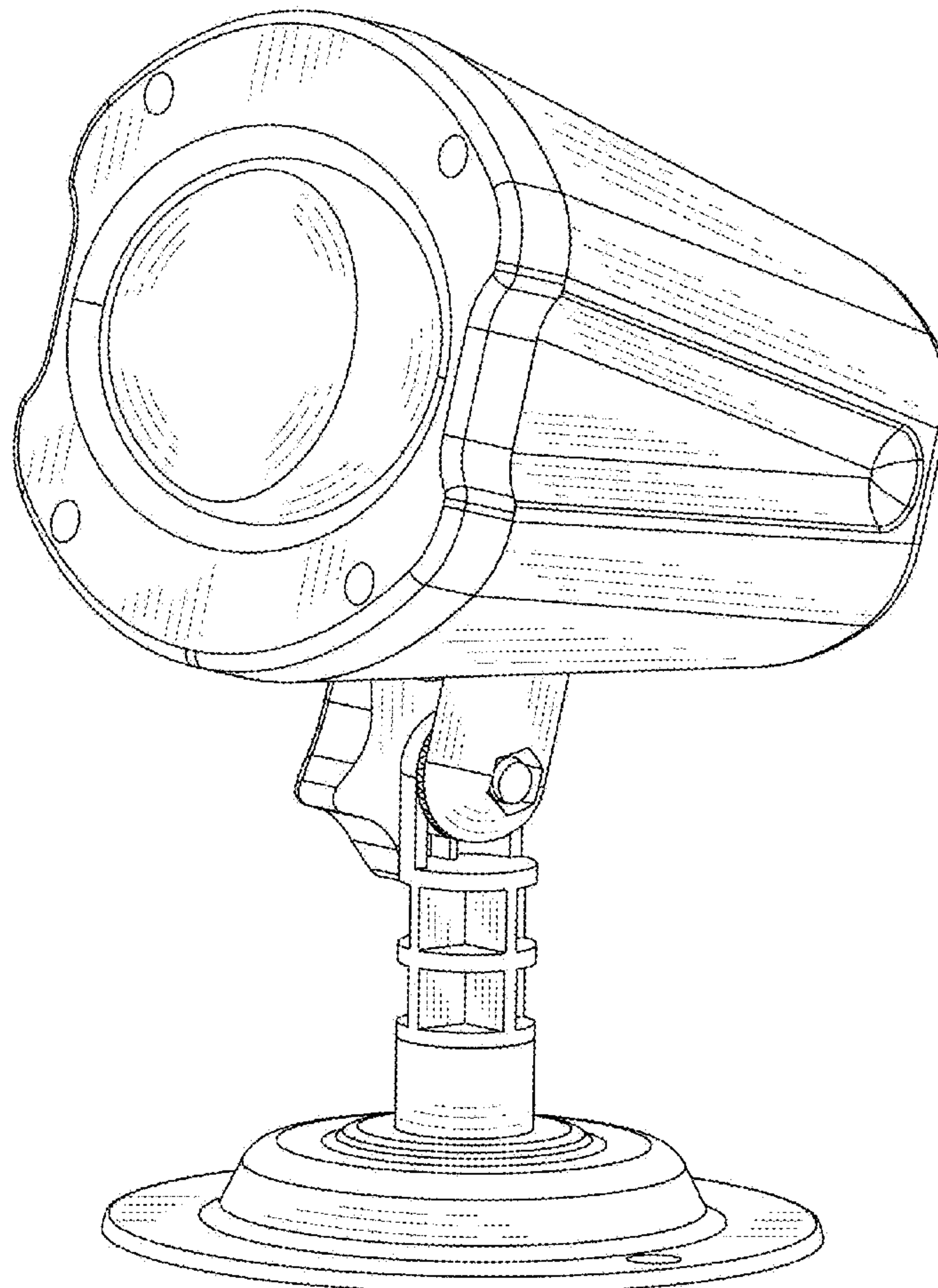
(57) **CLAIM**

The ornamental design for a stage lamp with starry sky effect, as shown and described.

**DESCRIPTION**

FIG. 1 is a perspective view of a stage lamp with starry sky effect showing my new design;  
FIG. 2 is a front elevation view thereof;  
FIG. 3 is a rear elevation view thereof;  
FIG. 4 is a left side elevation view thereof;  
FIG. 5 is a right side elevation view thereof;  
FIG. 6 is a top plan view thereof; and,  
FIG. 7 is a bottom plan view thereof.

**1 Claim, 7 Drawing Sheets**



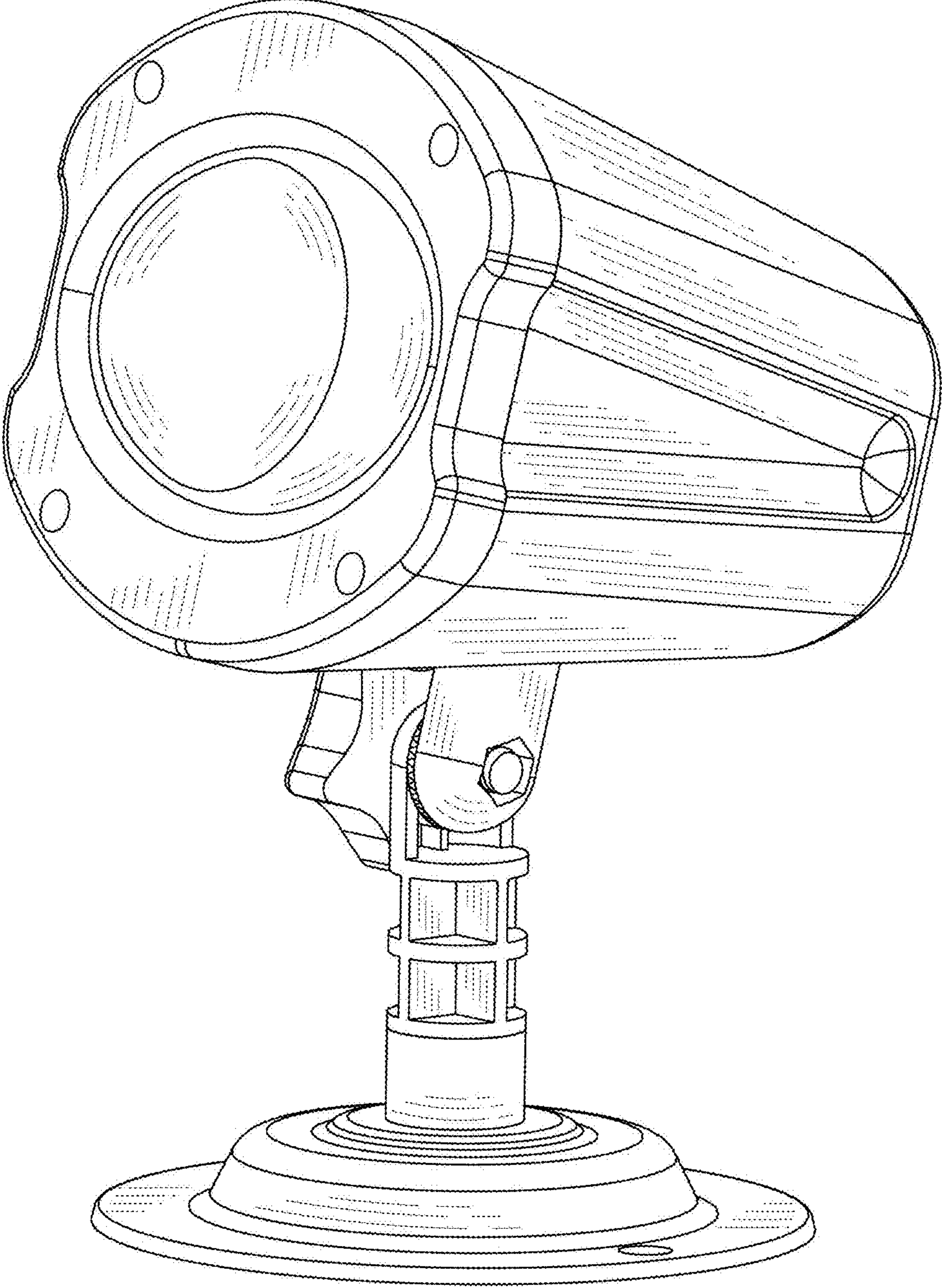


FIG.1

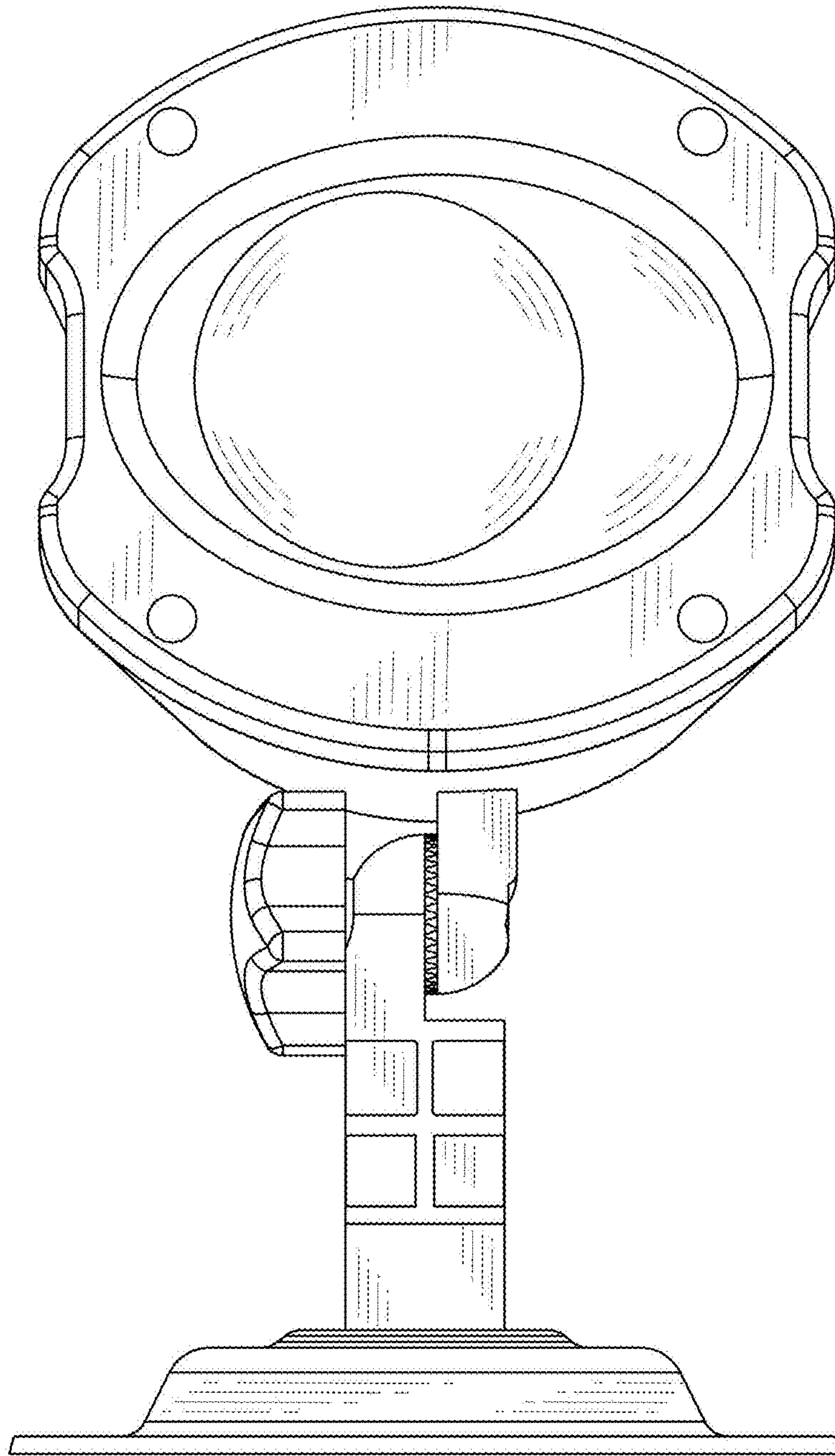


FIG.2



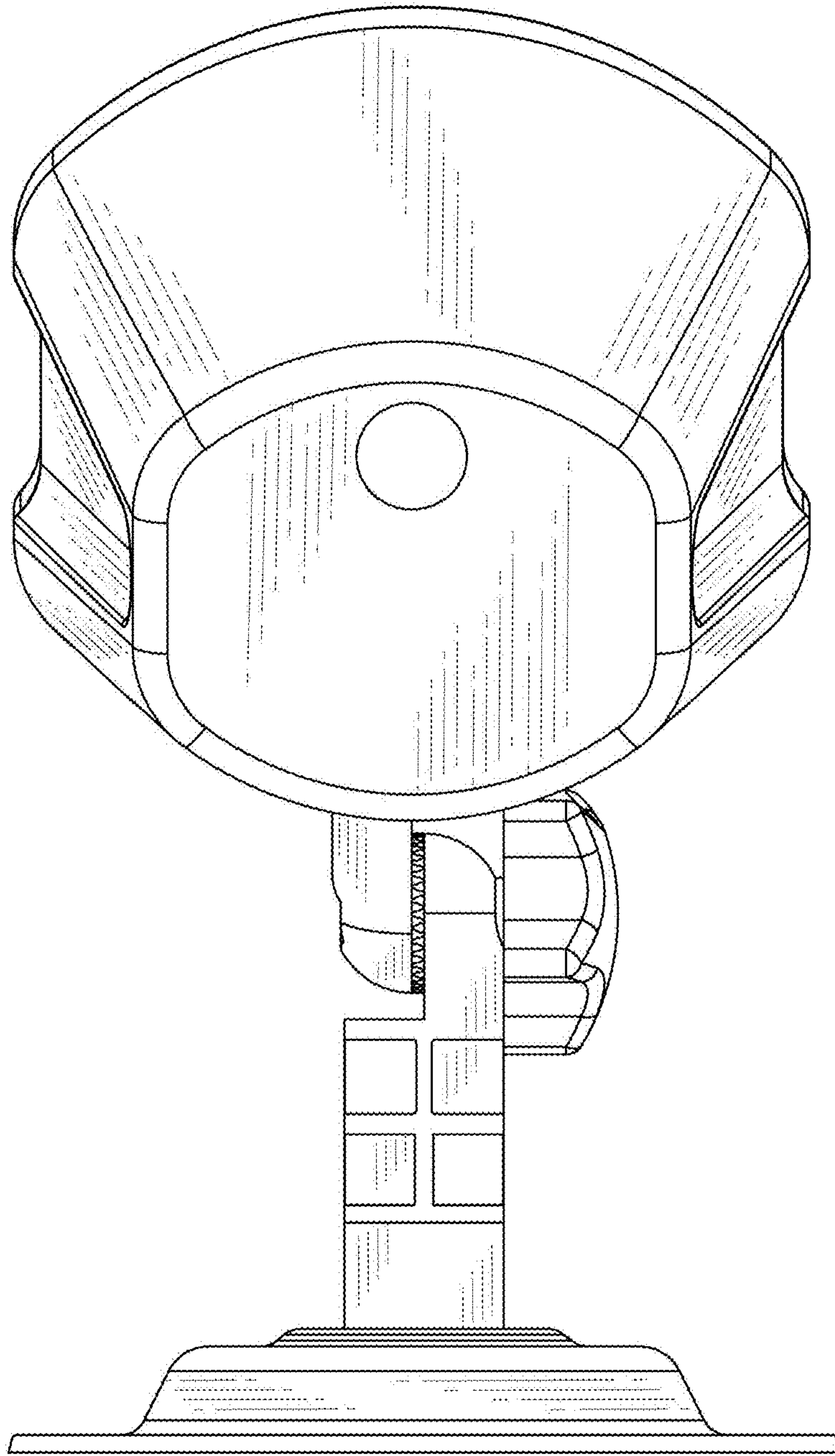


FIG.3

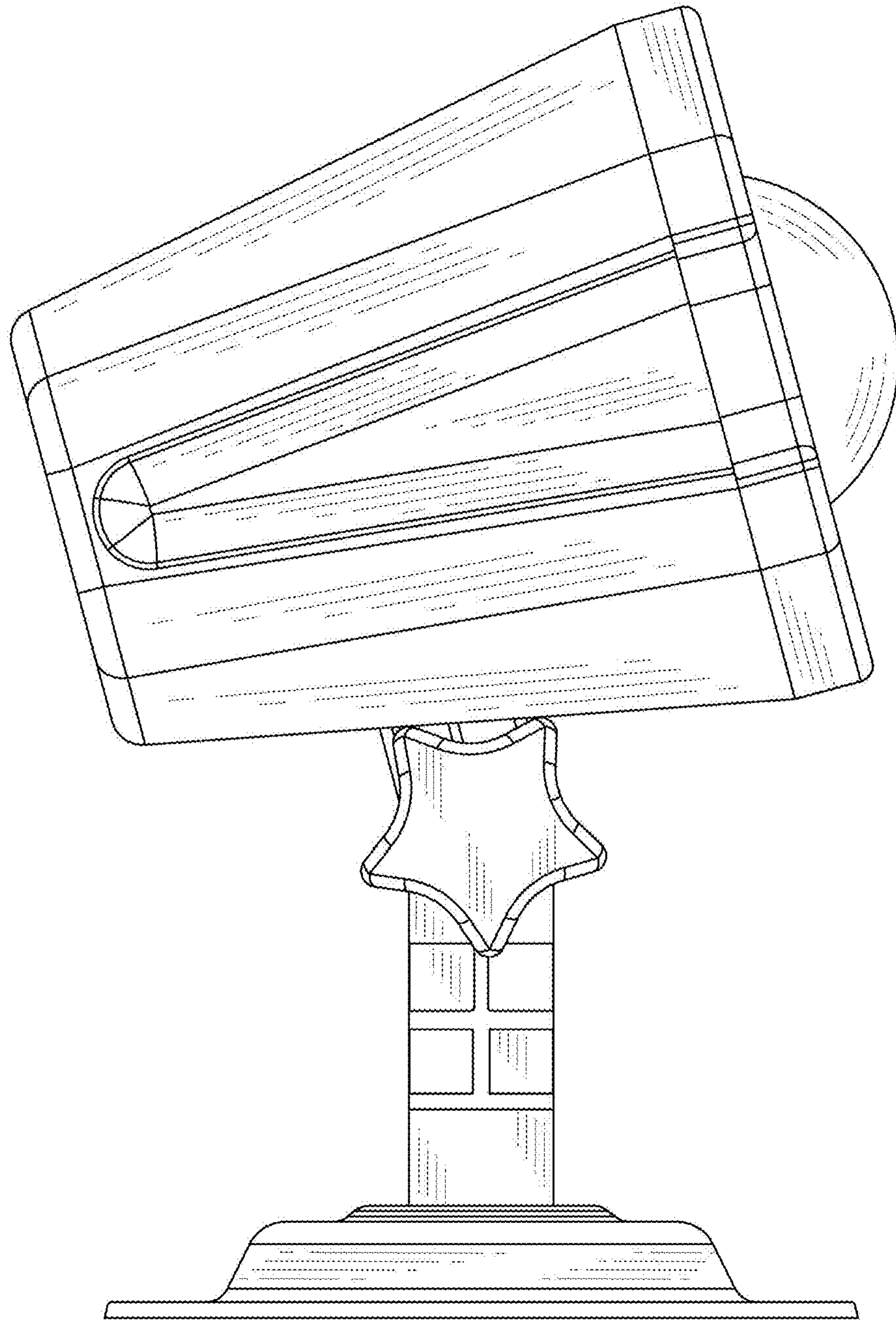


FIG.4

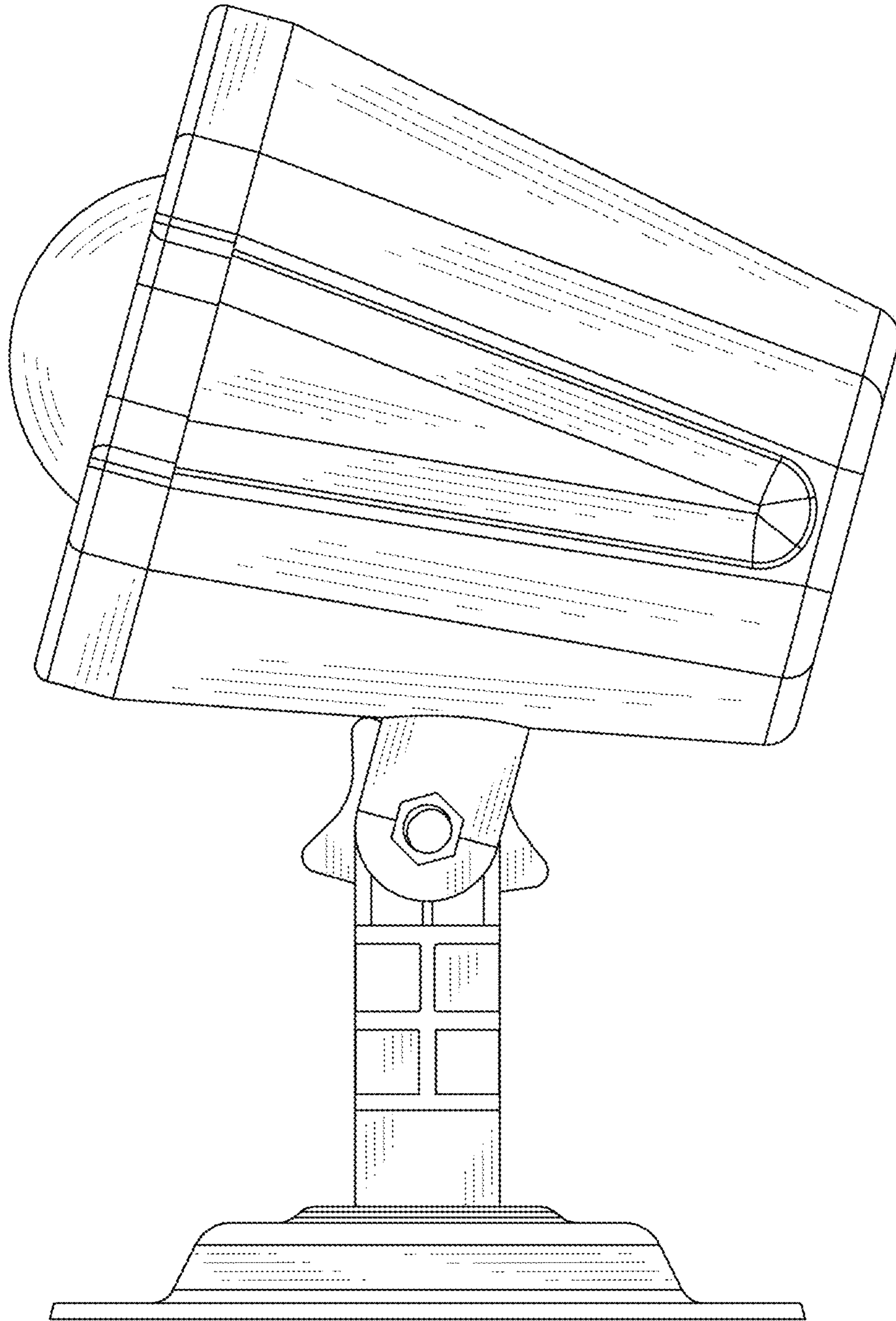


FIG. 5

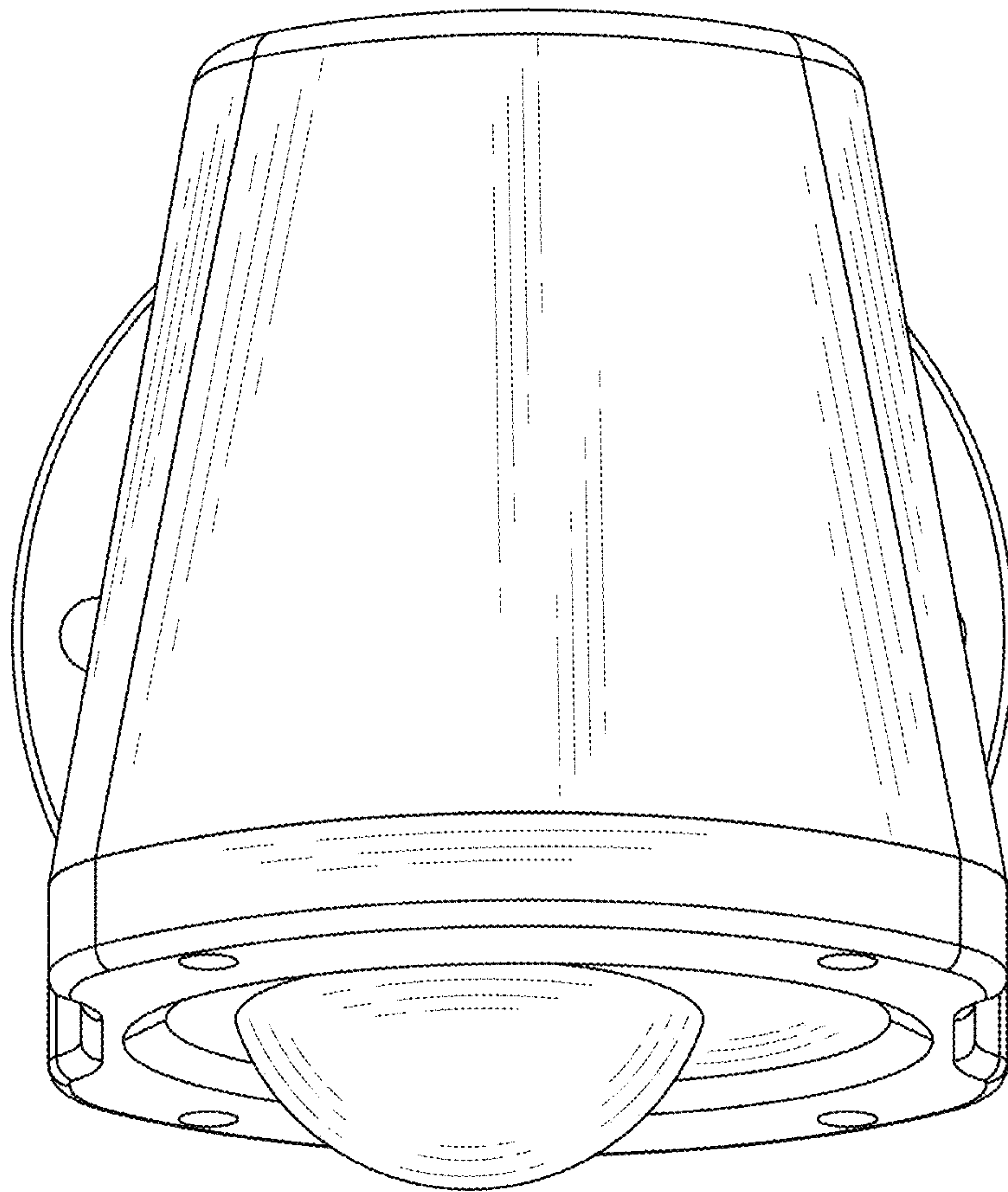


FIG. 6

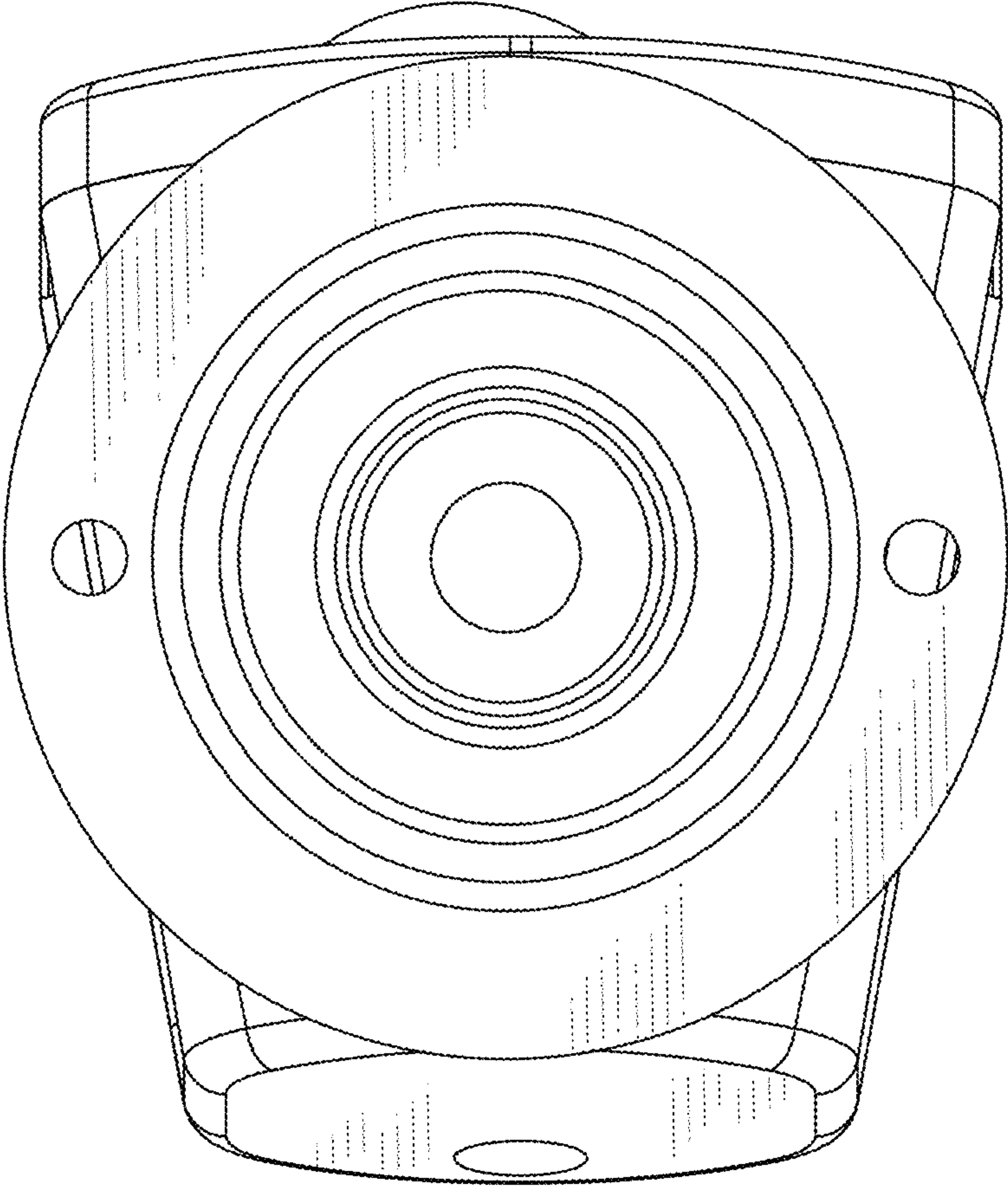


FIG. 7