



US00D915651S

(12) **United States Design Patent**
Tan

(10) **Patent No.:** **US D915,651 S**

(45) **Date of Patent:** **** Apr. 6, 2021**

(54) **STAGE LIGHT**

(71) Applicant: **Kehua Tan**, Hunan (CN)

(72) Inventor: **Kehua Tan**, Hunan (CN)

(**) Term: **15 Years**

(21) Appl. No.: **29/697,150**

(22) Filed: **Jul. 4, 2019**

(51) **LOC (13) Cl.** **26-03**

(52) **U.S. Cl.**
USPC **D26/63**

(58) **Field of Classification Search**
USPC D26/24, 51, 61, 63, 72, 80
CPC F21S 8/04; F21S 8/00; F21W 2131/10;
F21V 21/00; F21V 21/26; F21V 21/14;
F21V 17/02; F21V 21/30
See application file for complete search history.

(56) **References Cited**

U.S. PATENT DOCUMENTS

D636,118 S * 4/2011 Kim D26/138
8,727,564 B2 * 5/2014 Watanabe F21V 19/0055
362/235

D825,806 S * 8/2018 Jurik D26/63
D858,841 S * 9/2019 Deng D26/63
D894,460 S * 8/2020 Yu D26/63
D895,186 S * 9/2020 Merovitz D26/63
D901,058 S * 11/2020 Li D26/63
2012/0218738 A1 * 8/2012 Alexander F21V 29/83
362/95

* cited by examiner

Primary Examiner — Brian N. Vinson

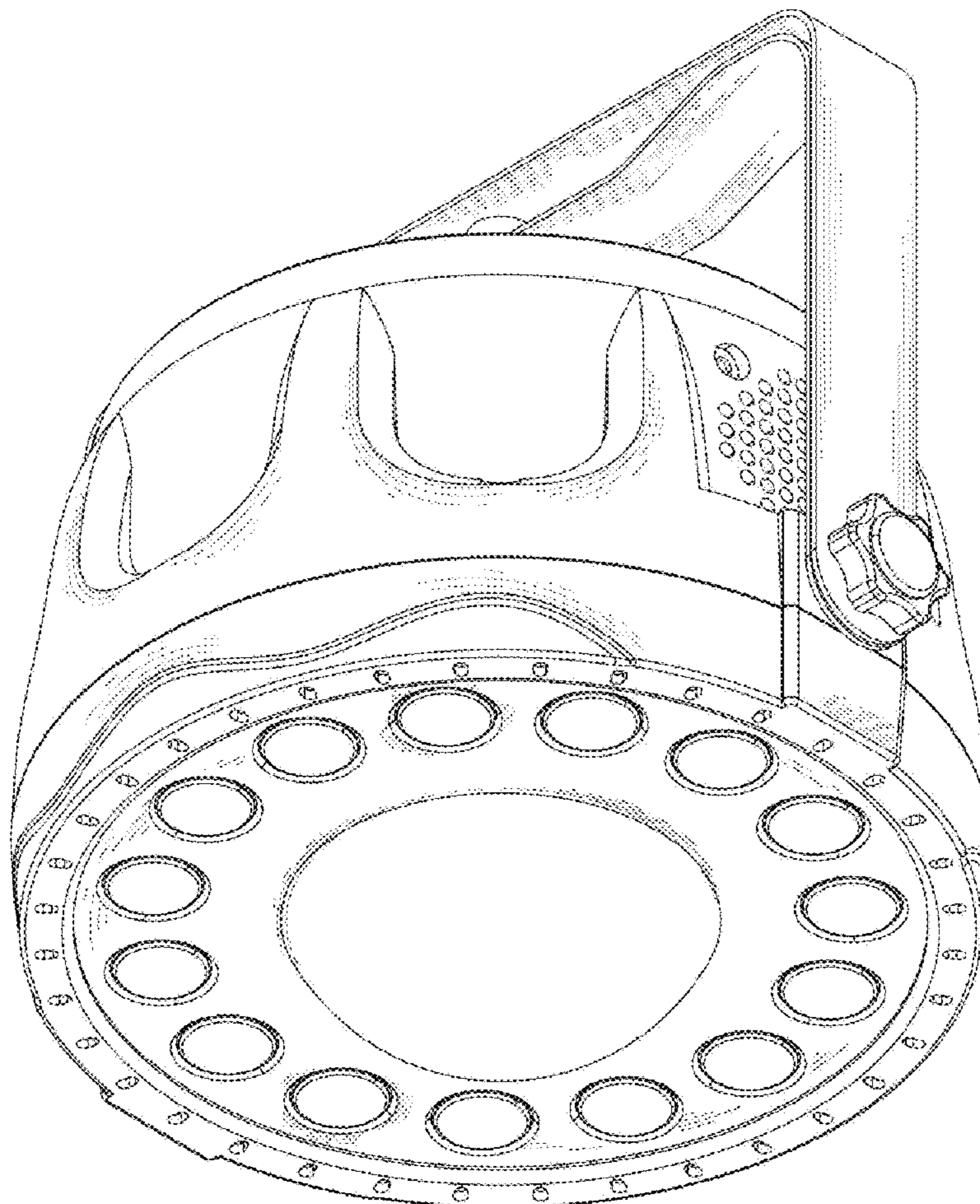
(57) **CLAIM**

The ornamental design for a stage light, as shown and described.

DESCRIPTION

FIG. 1 is a perspective view of a stage light showing my new design;
FIG. 2 is a front elevational view thereof;
FIG. 3 is a rear elevational view thereof;
FIG. 4 is a left side elevational view thereof;
FIG. 5 is a right side elevational view thereof;
FIG. 6 is a top plan view thereof;
FIG. 7 is a bottom plan view thereof; and,
FIG. 8 is another perspective view thereof.

1 Claim, 8 Drawing Sheets



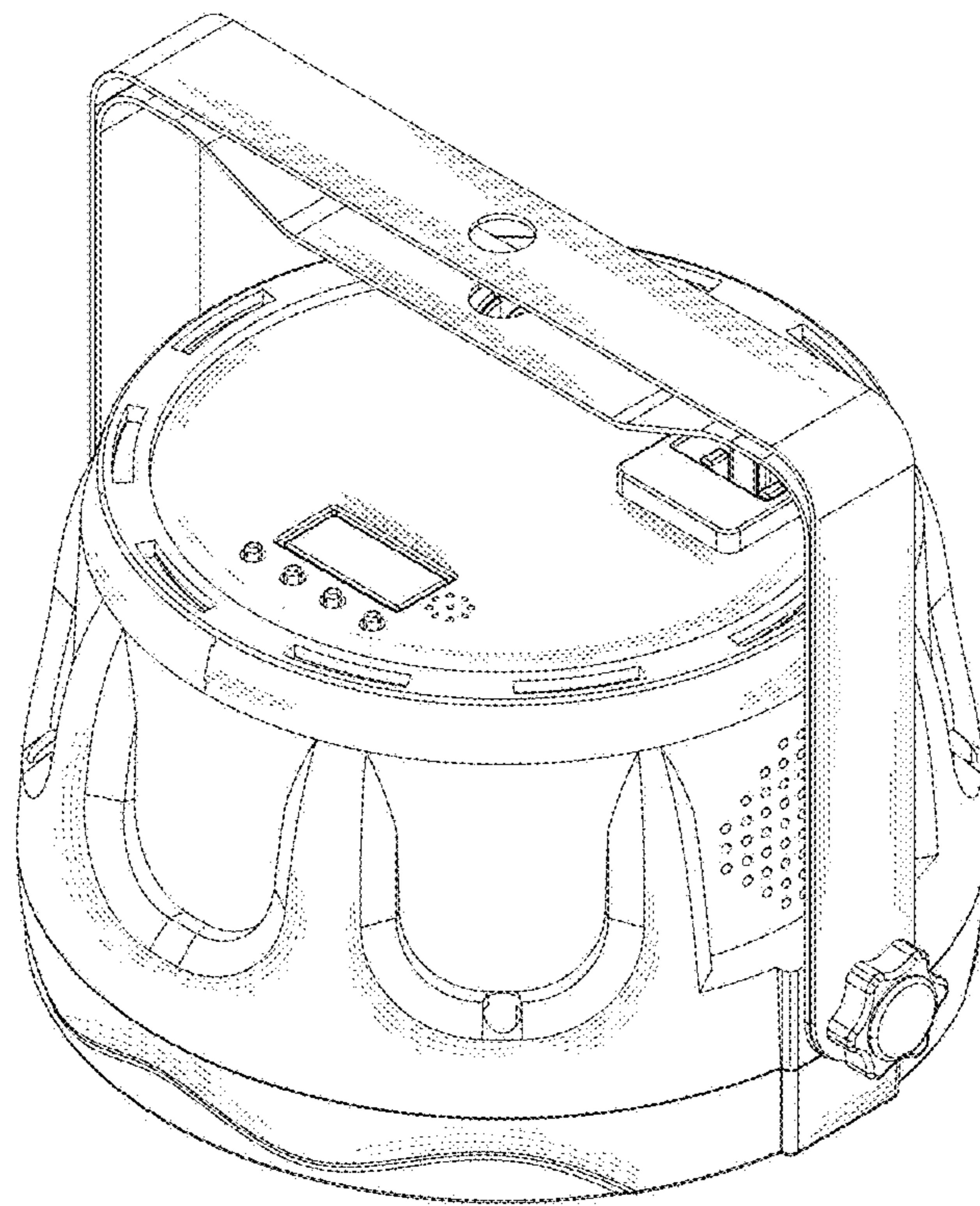


FIG. 1

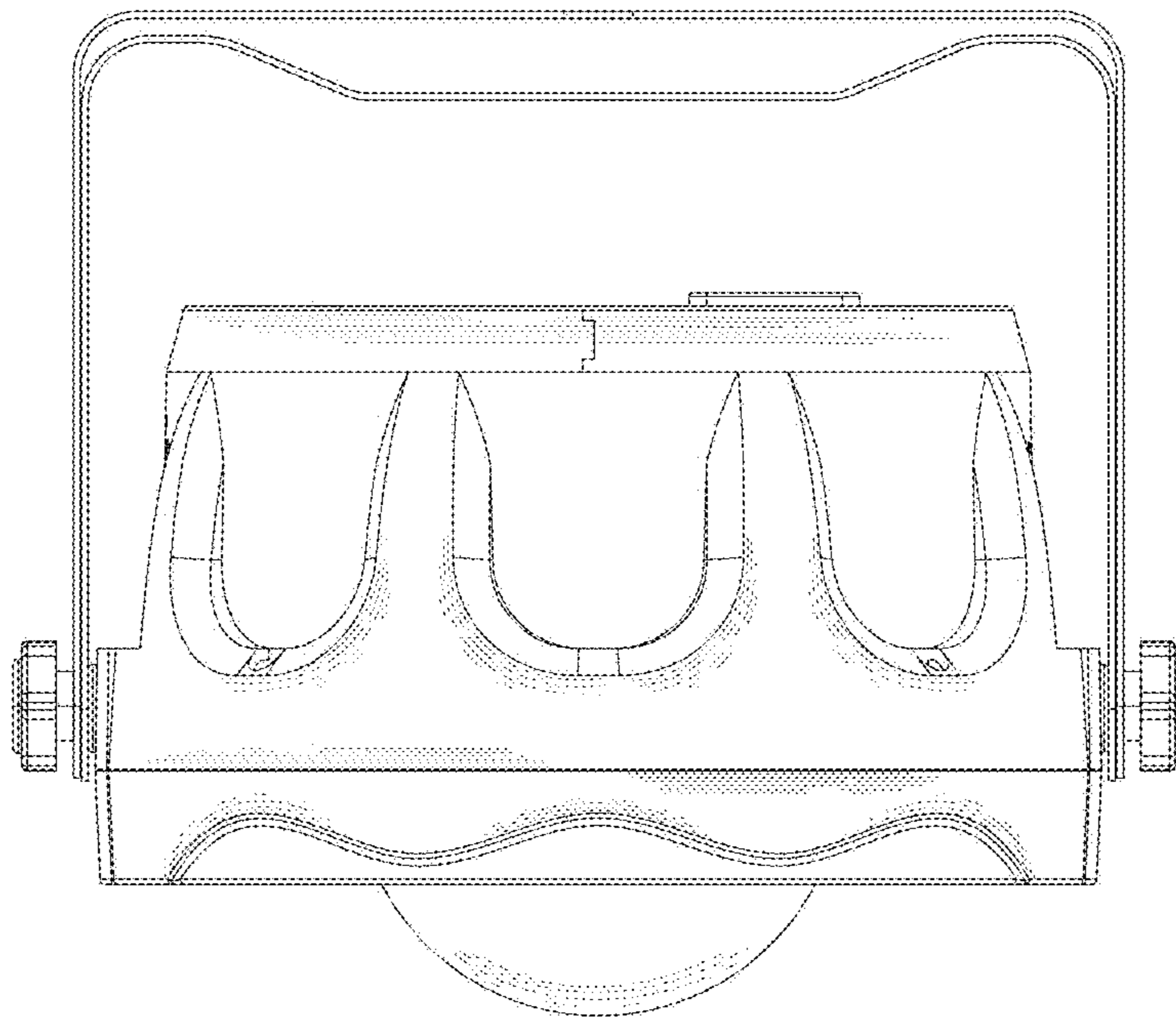


FIG. 2

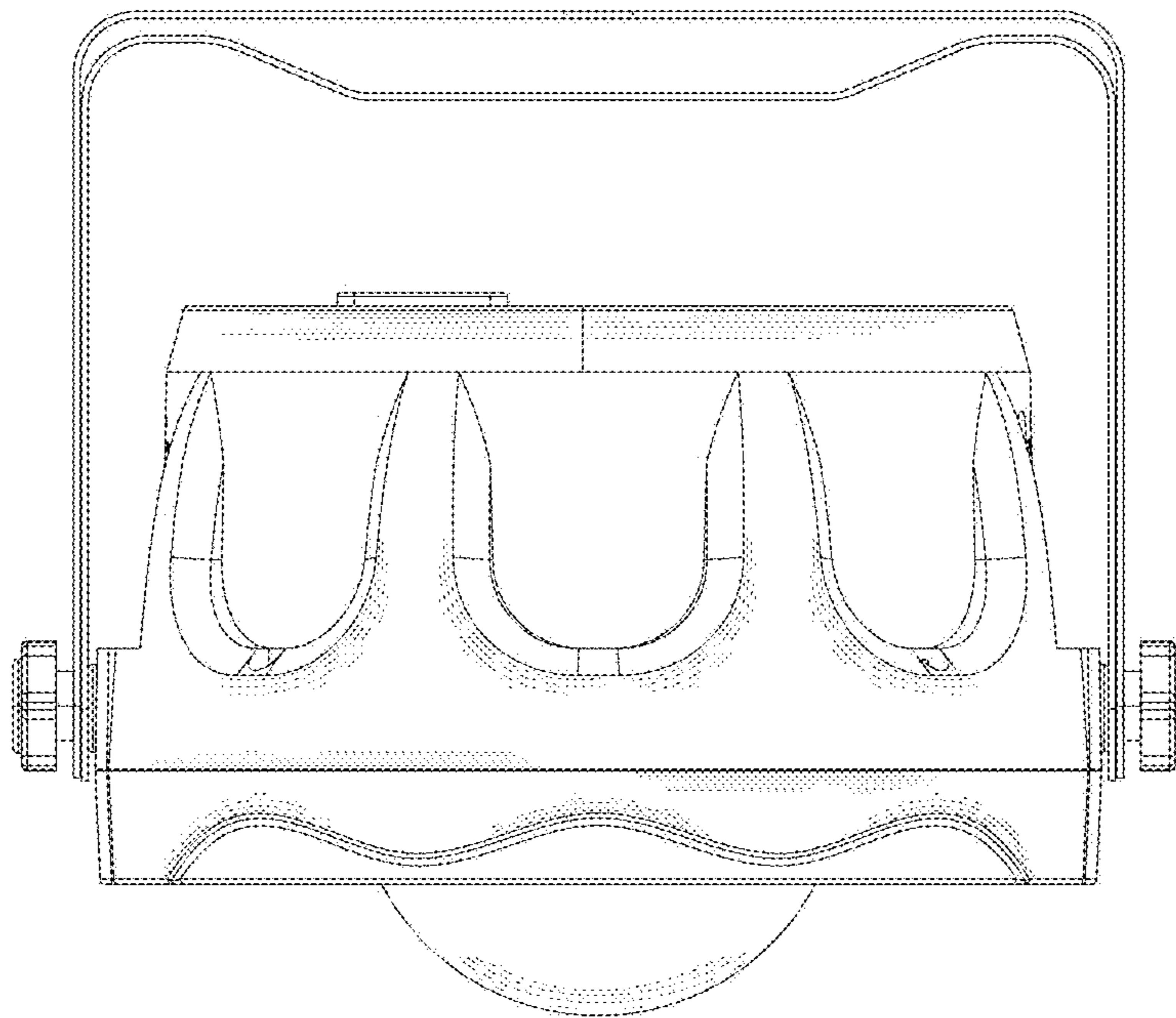


FIG. 3

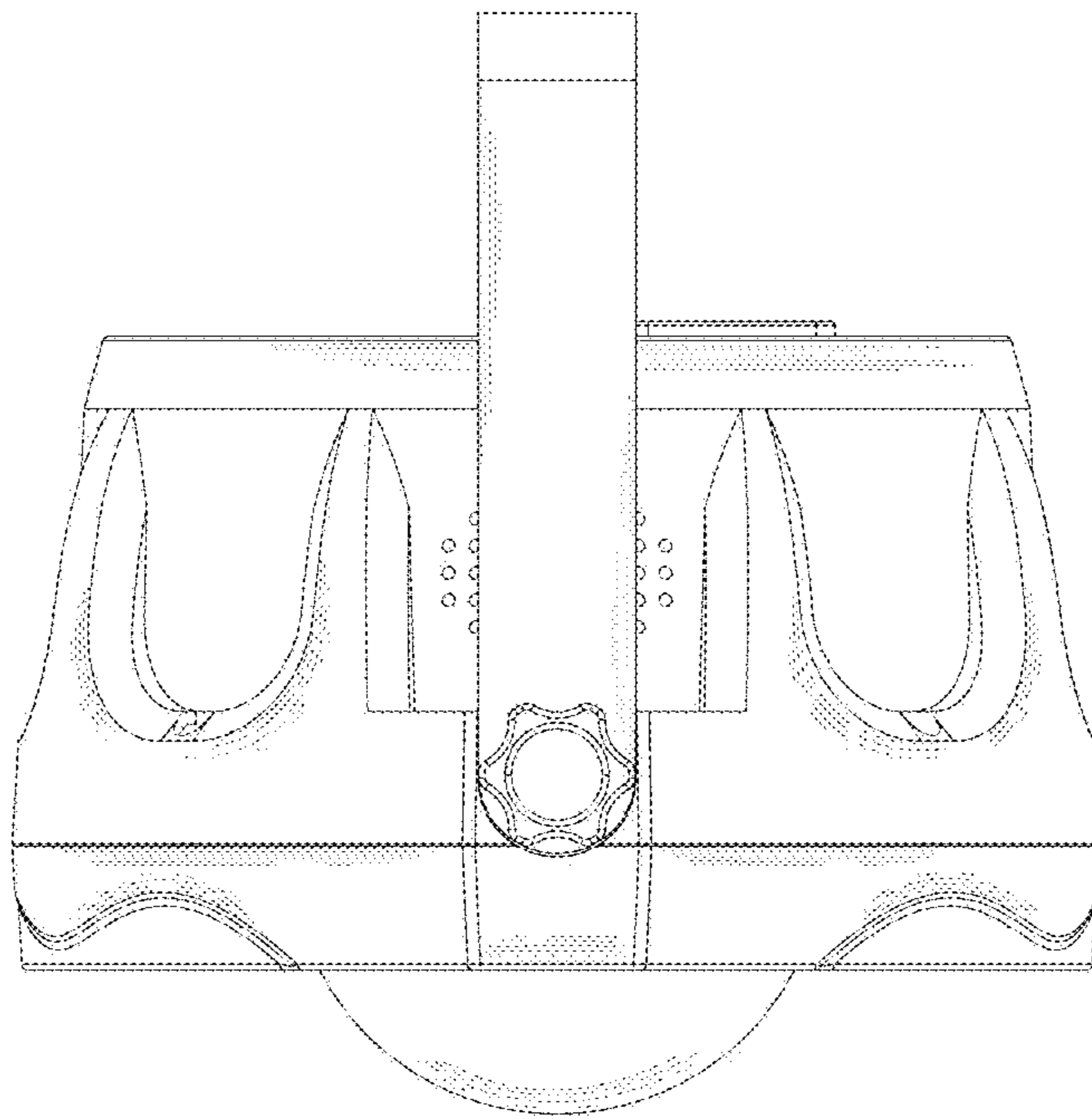


FIG. 4

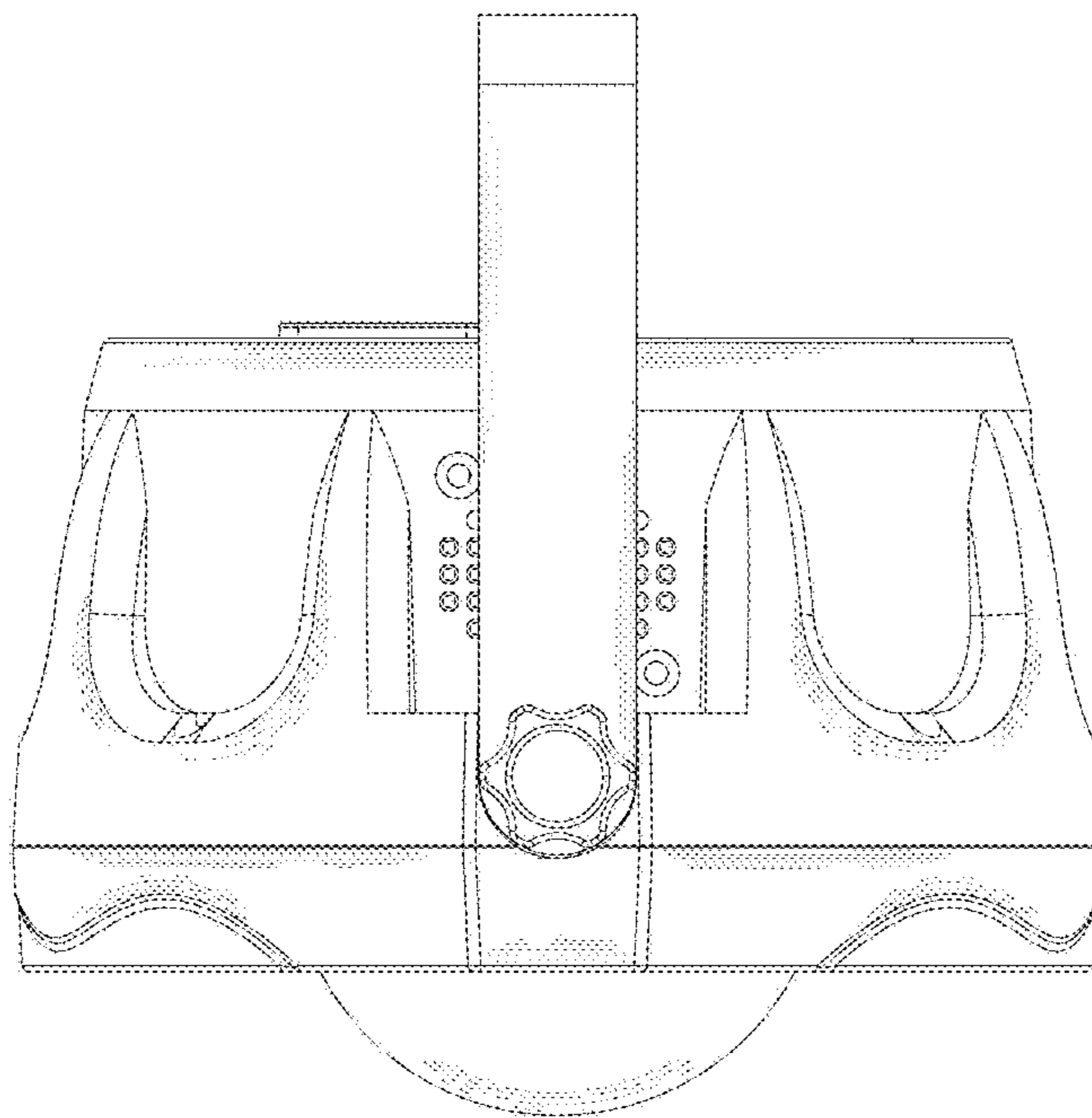


FIG. 5

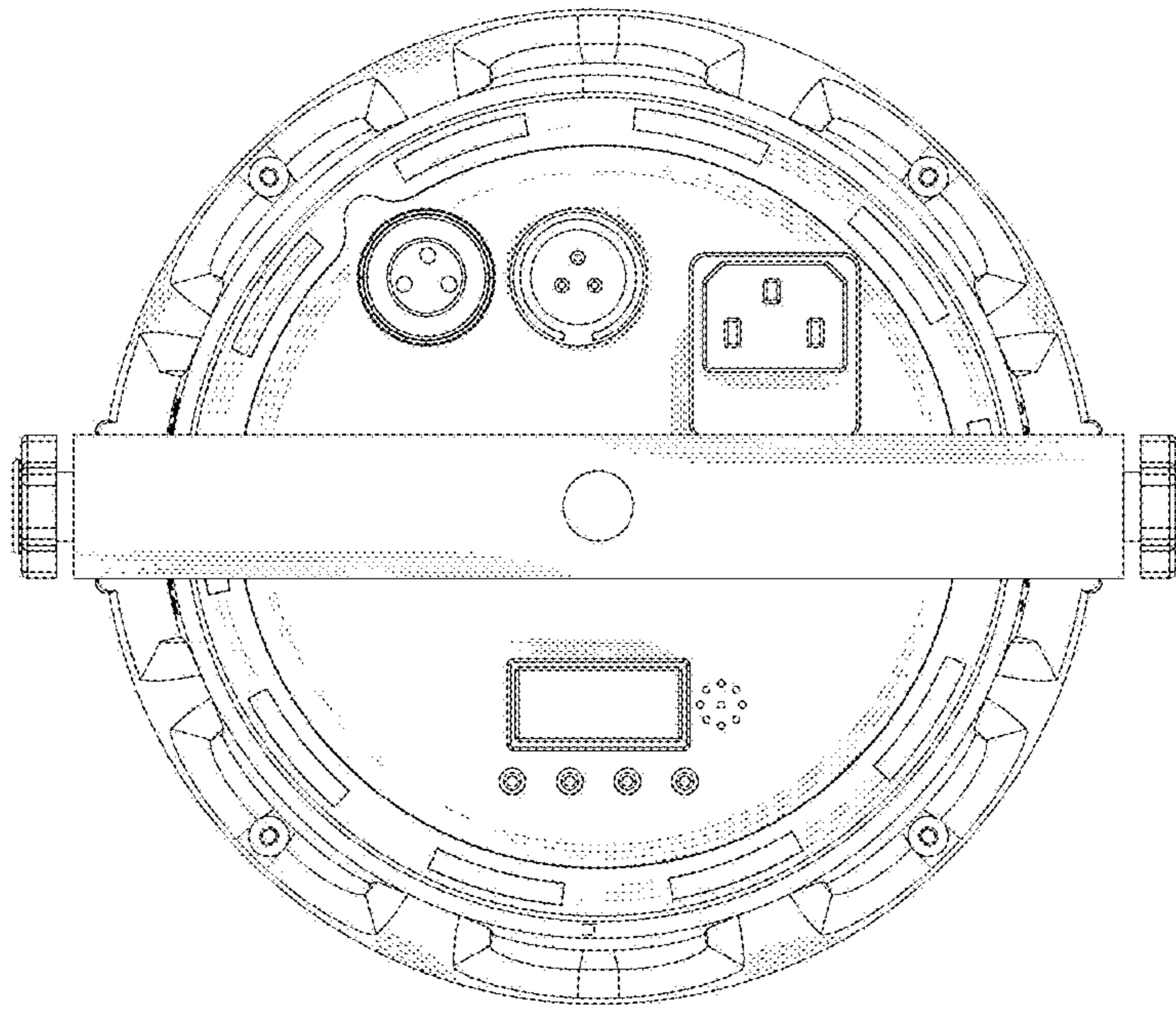


FIG. 6

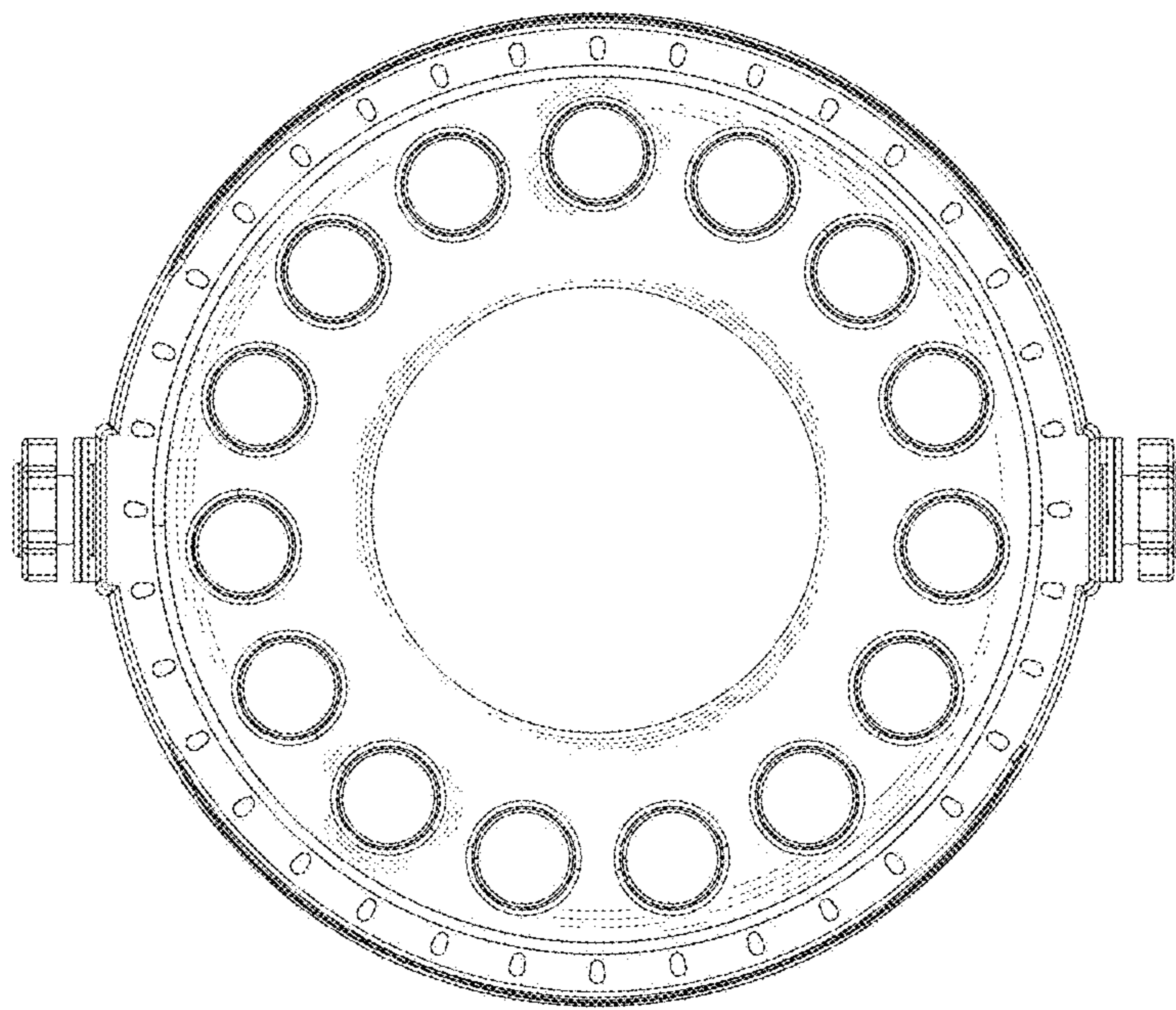


FIG. 7

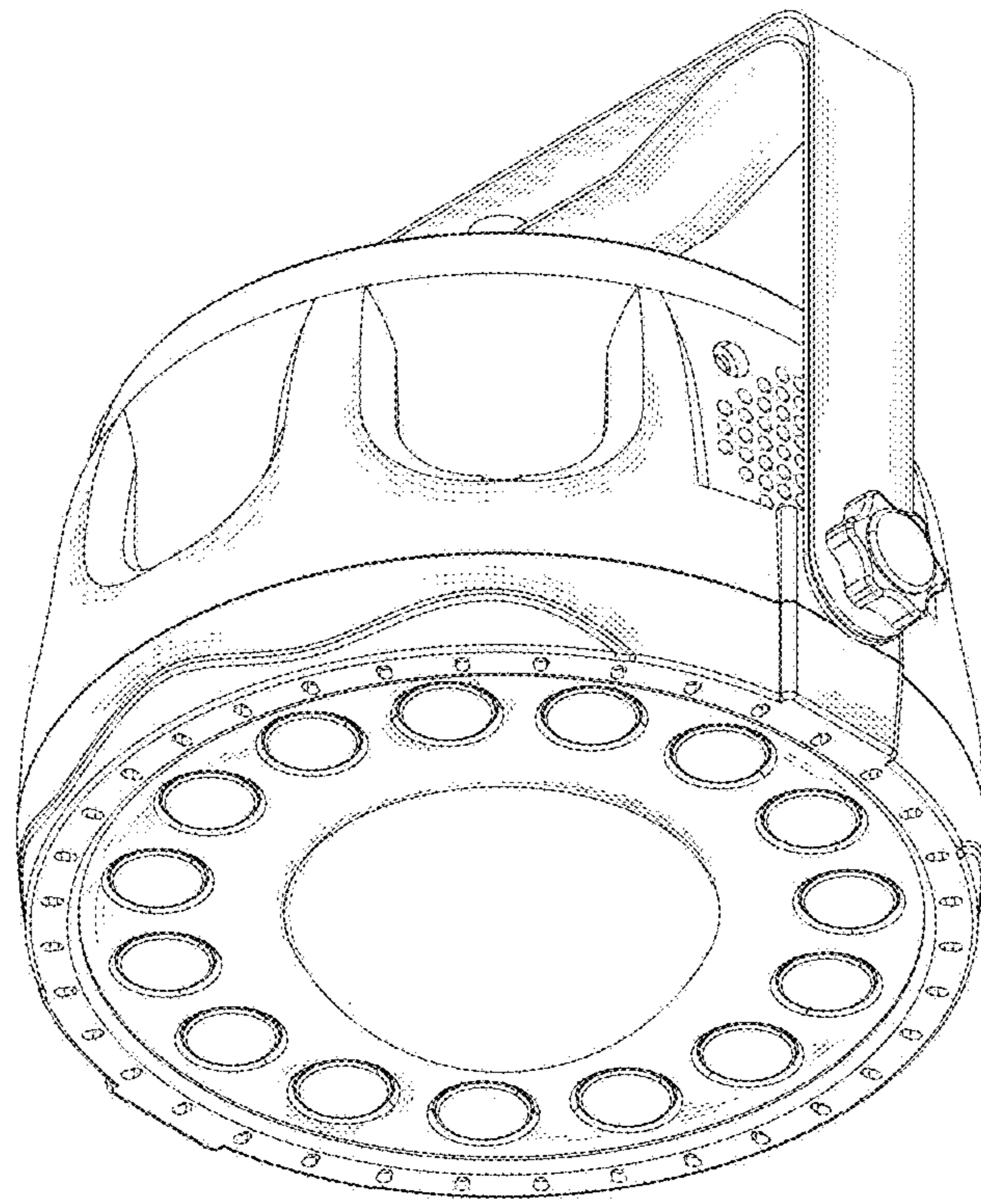


FIG. 8