



US00D915650S

(12) **United States Design Patent** (10) **Patent No.:** **US D915,650 S**
Kujawa et al. (45) **Date of Patent:** **** Apr. 6, 2021**

(54) **ANCHOR LIGHT**

(71) Applicant: **Lumitec, LLC**, Delray Beach, FL (US)

(72) Inventors: **John Alexander Kujawa**, Delray Beach, FL (US); **Michael Albion Kestner**, Boynton Beach, FL (US)

(73) Assignee: **Lumitec, LLC**, Delray Beach, FL (US)

(**) Term: **15 Years**

(21) Appl. No.: **29/665,307**

(22) Filed: **Oct. 2, 2018**

(51) **LOC (13) Cl.** **26-05**

(52) **U.S. Cl.**
USPC **D26/61**

(58) **Field of Classification Search**
USPC D26/1, 24, 40, 46, 51, 61, 63, 67, 72;
D12/215, 317
CPC B63B 21/00; B63B 21/24; B63B 21/48;
B63B 21/003
See application file for complete search history.

D619,745 S * 7/2010 Kung D26/61
7,859,425 B2 * 12/2010 Glasa B63C 9/20
340/693.5
D743,078 S * 11/2015 Hochman D26/63
D784,175 S * 4/2017 Covelli D10/107
D787,105 S * 5/2017 Kelleghan D26/46
D819,837 S * 6/2018 Katterheinrich D26/1
D826,762 S * 8/2018 Smith D10/107
2004/0151003 A1 * 8/2004 Laine B60Q 7/02
362/477

* cited by examiner

Primary Examiner — Wan Laymon
Assistant Examiner — Clint A Samuel
(74) *Attorney, Agent, or Firm* — Calfee, Halter & Griswold LLP

(57) **CLAIM**

We claim the ornamental design for an anchor light, as shown and described.

DESCRIPTION

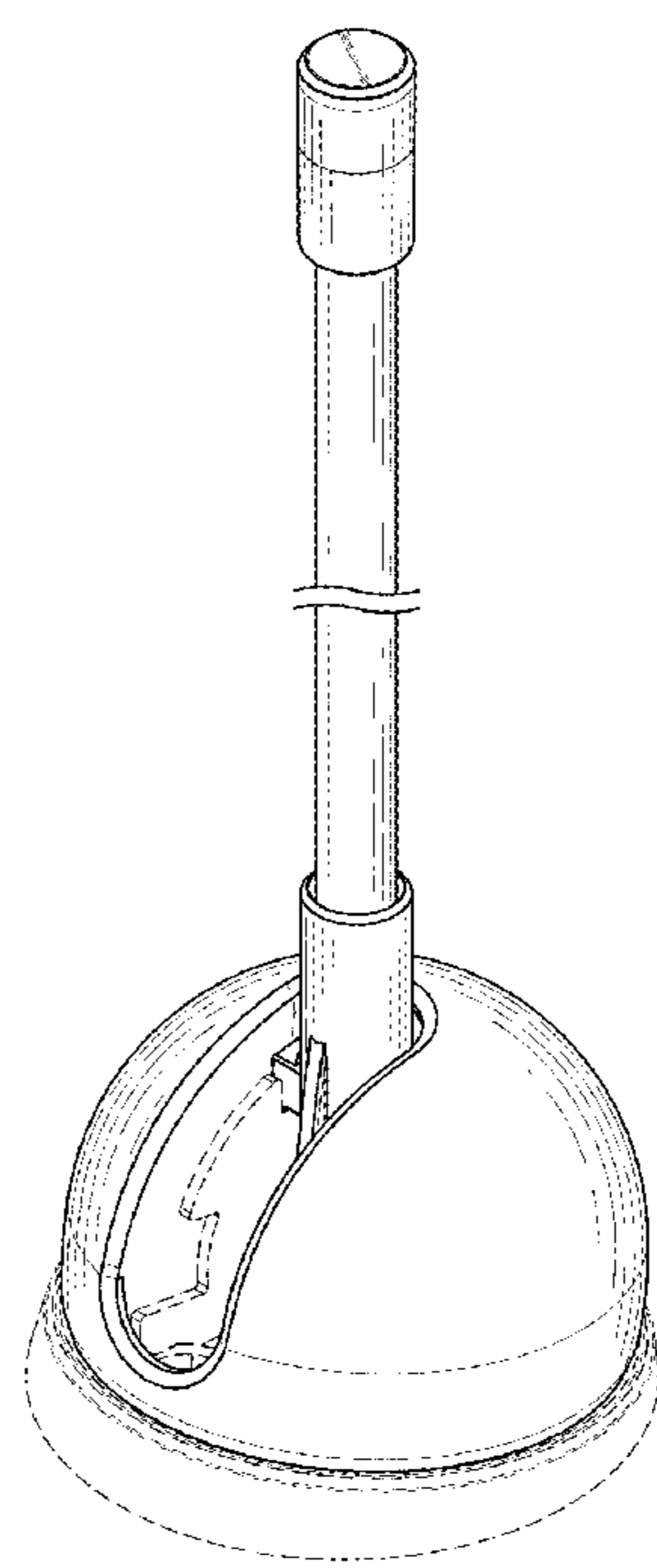
FIG. 1 is a front/right/top perspective view of an anchor light;
FIG. 2 is a front elevational view thereof;
FIG. 3 is a rear elevational view thereof;
FIG. 4 is a right side elevational view thereof;
FIG. 5 is a left side elevational view thereof;
FIG. 6 is a top plan view thereof; and,
FIG. 7 is a bottom plan view thereof.
The broken lines show portions of the anchor light that form no part of the claimed design. Any break lines are for convenience of viewing, and the appearance of any portion of the anchor light between the break lines forms no part of the claimed design.

(56) **References Cited**

U.S. PATENT DOCUMENTS

D279,823 S * 7/1985 Parker D26/140
D318,817 S * 8/1991 Sinrod D10/107
D412,132 S * 7/1999 Aylward D10/114.2
D473,332 S * 4/2003 Lam D26/49
7,188,579 B2 * 3/2007 Lemonides B63B 21/00
114/230.2
D541,458 S * 4/2007 Benghozi D26/61
D541,459 S * 4/2007 Benghozi D26/61
D541,460 S * 4/2007 Benghozi D26/61
D598,578 S * 8/2009 Hanley D26/1
D598,579 S * 8/2009 Hanley D26/1

1 Claim, 6 Drawing Sheets



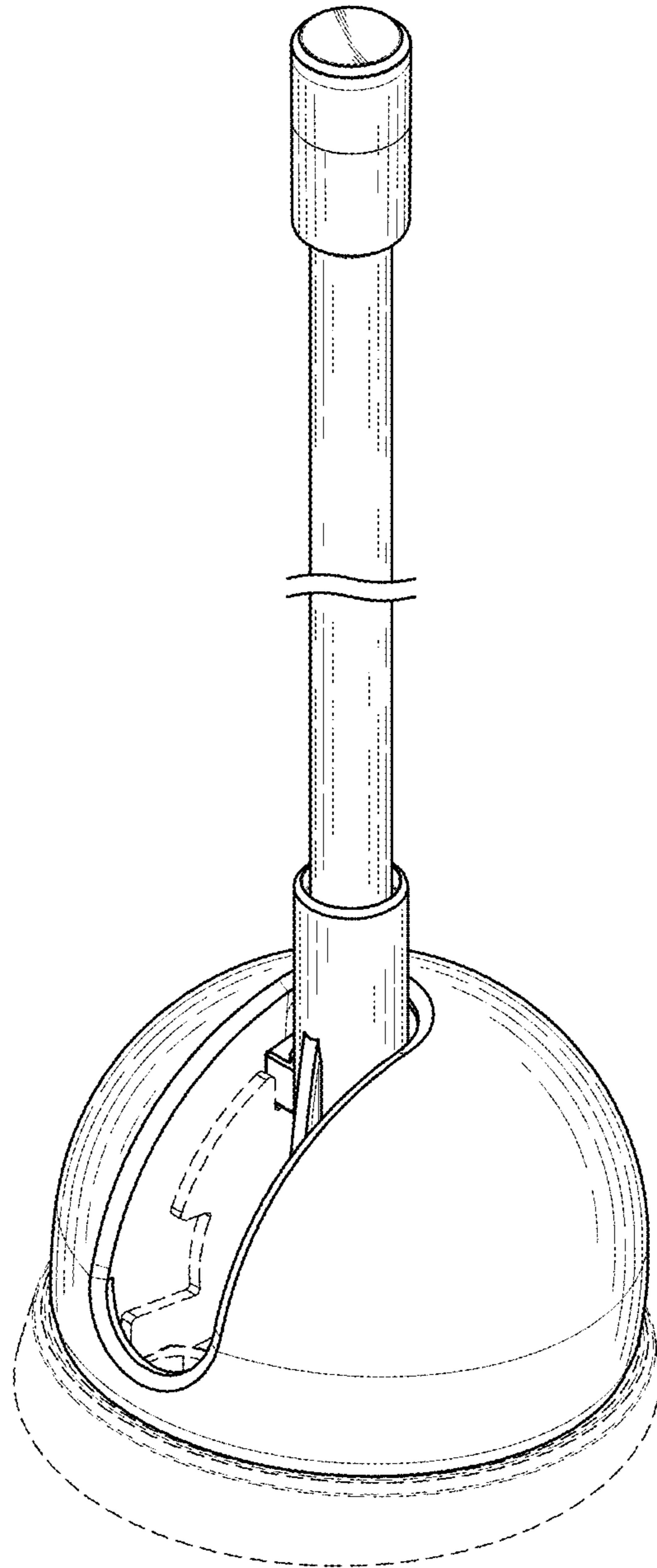


FIG. 1

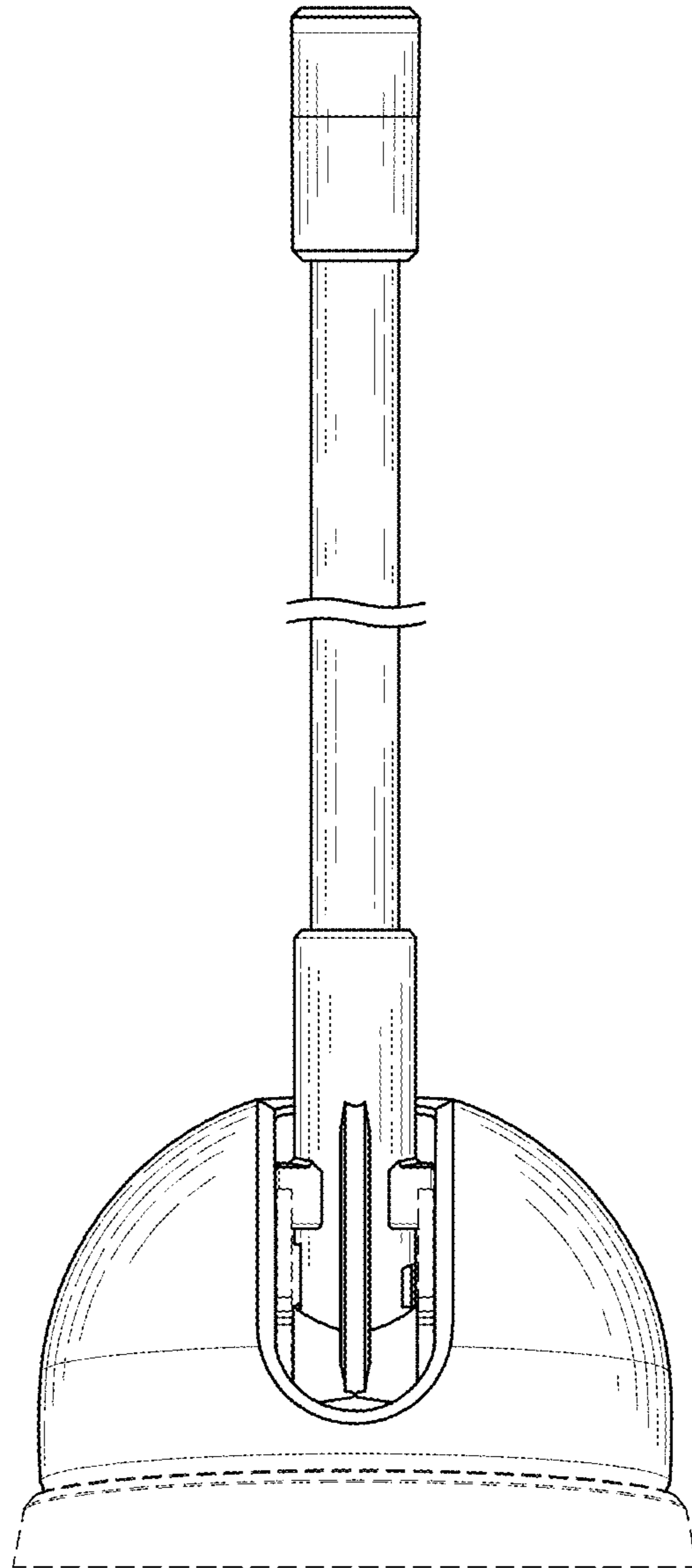


FIG. 2

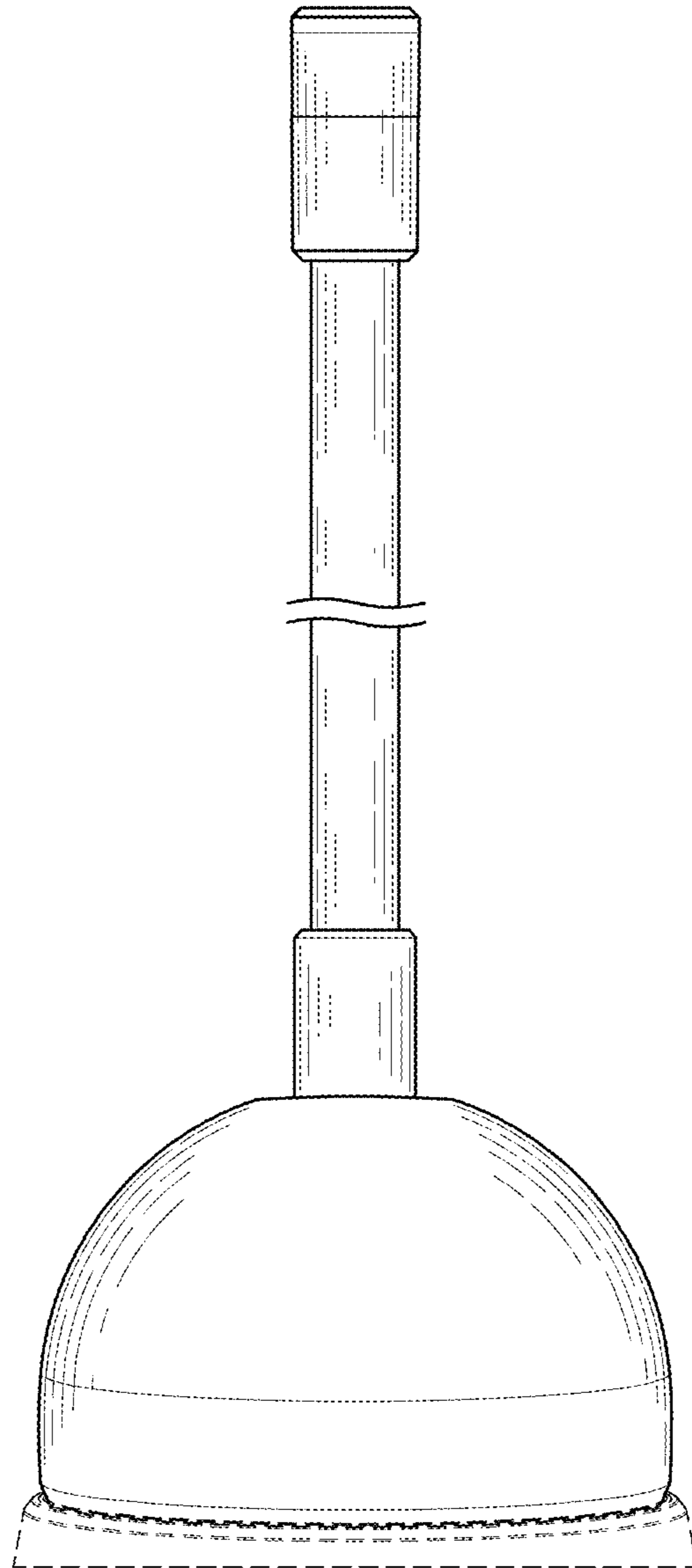


FIG. 3

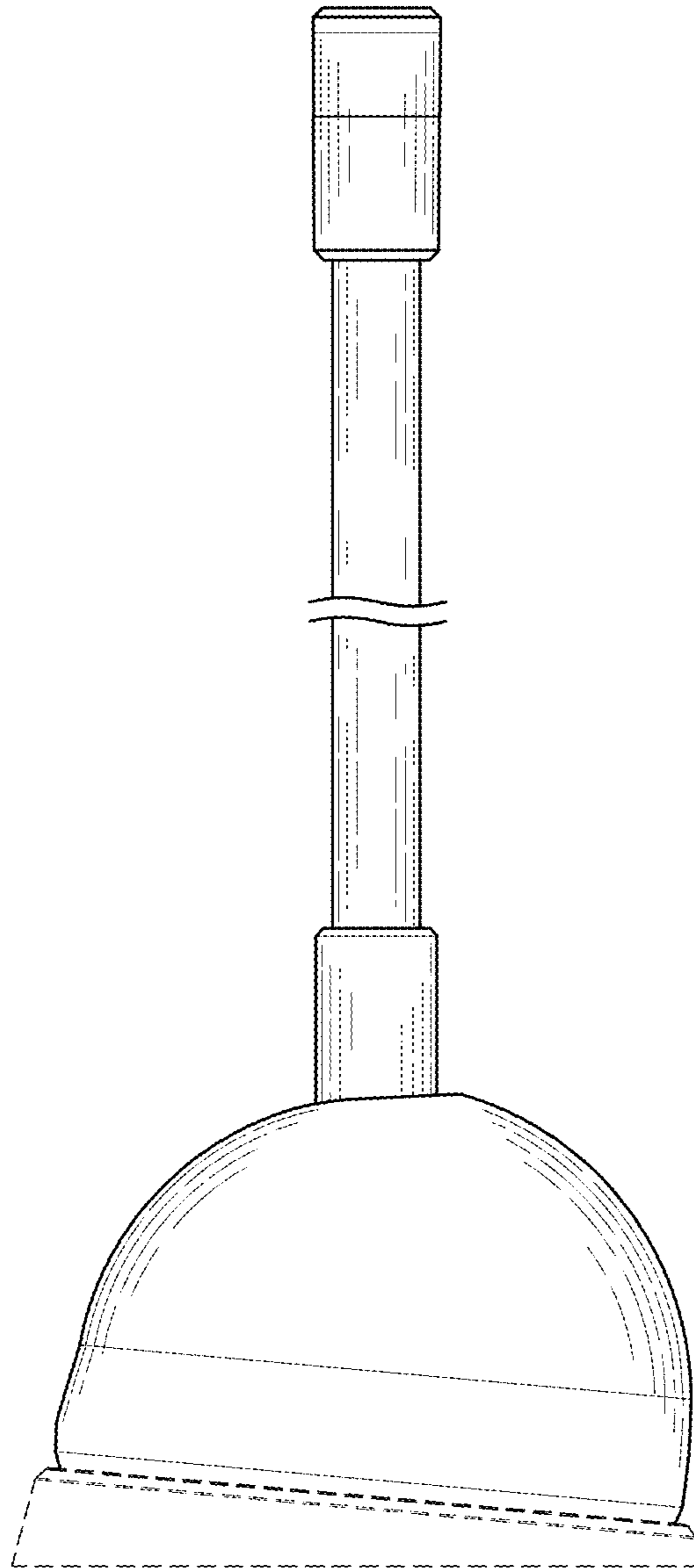


FIG. 4

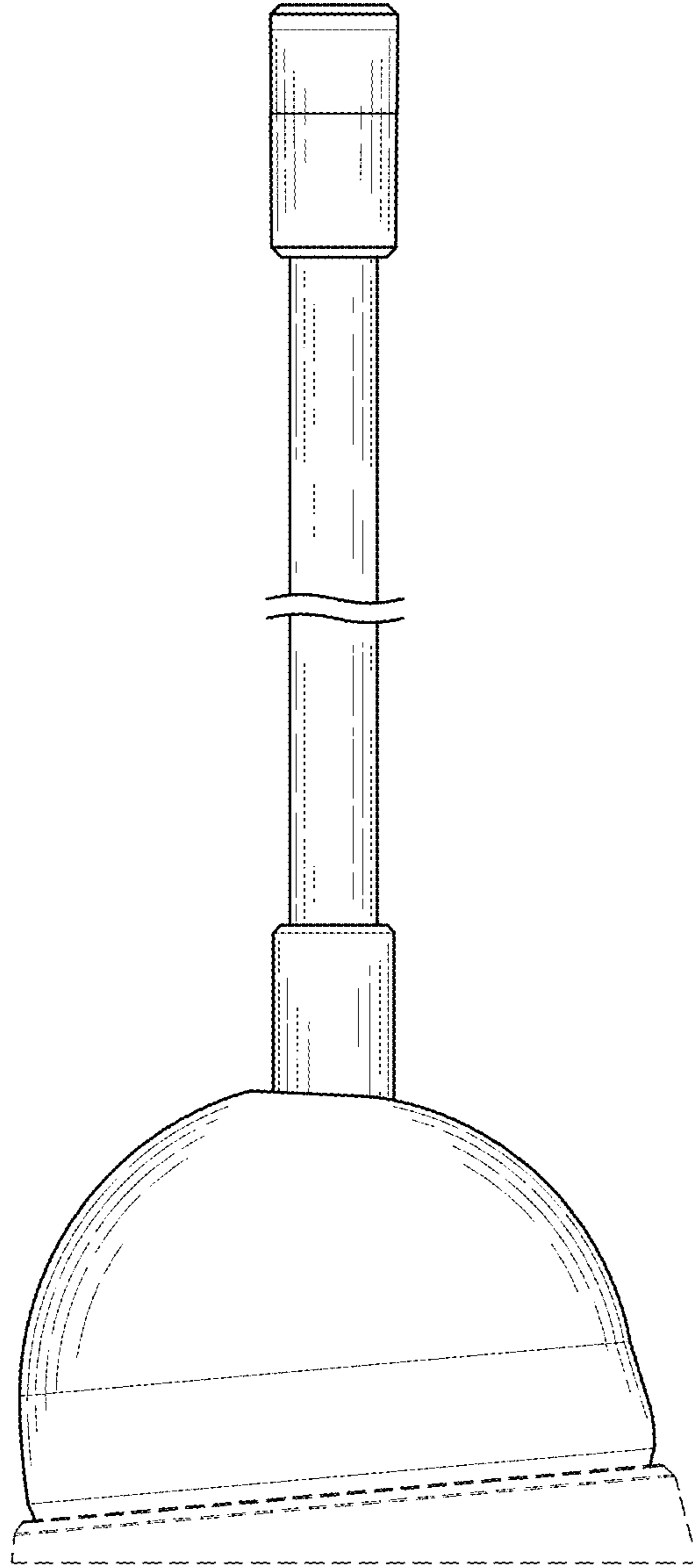


FIG. 5

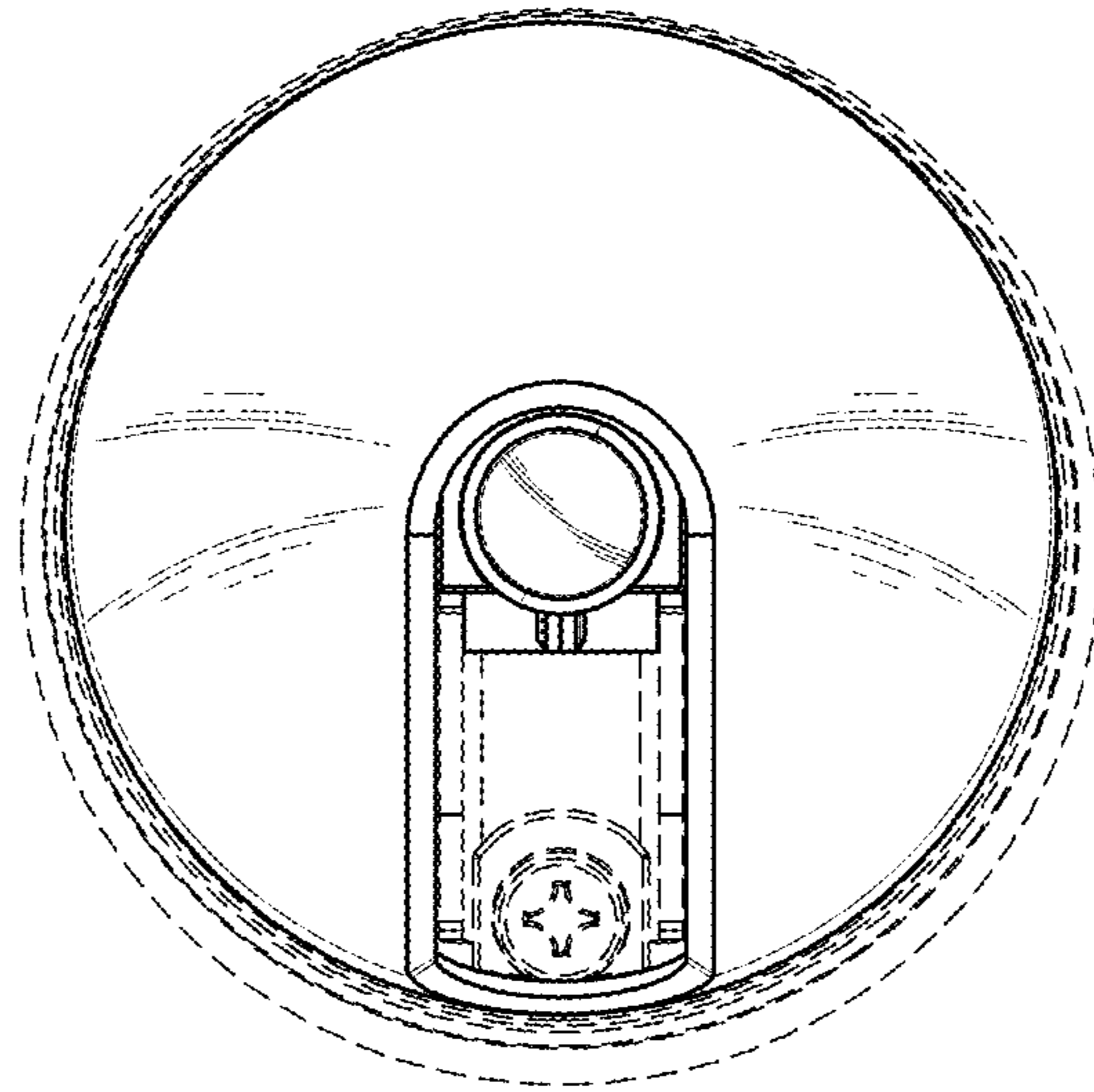


FIG. 6

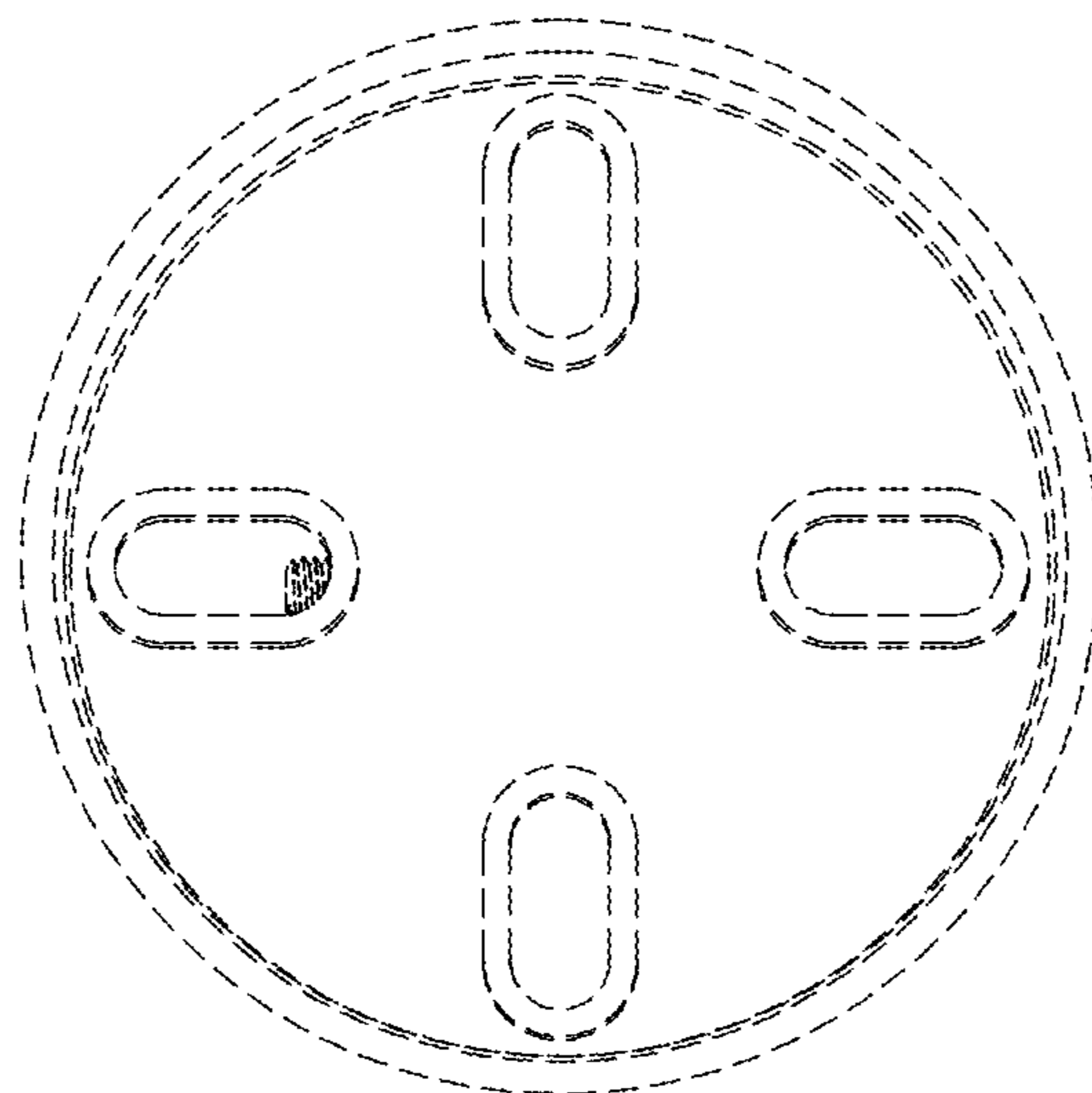


FIG. 7