



US00D915649S

(12) **United States Design Patent** (10) **Patent No.:** **US D915,649 S**  
**Dewey** (45) **Date of Patent:** **\*\* Apr. 6, 2021**

(54) **MULTI-USE MINI-LIGHT**  
(71) Applicant: **About Time, LLC**, Waverly, IA (US)  
(72) Inventor: **Scott Dewey**, Waverly, IA (US)  
(73) Assignee: **About Time, LLC**, Waverly, IA (US)  
(\*\*) Term: **15 Years**  
(21) Appl. No.: **29/680,701**  
(22) Filed: **Feb. 19, 2019**  
(51) **LOC (13) Cl.** ..... **26-05**  
(52) **U.S. Cl.**  
USPC ..... **D26/60**  
(58) **Field of Classification Search**  
USPC ..... D26/1, 24, 60-61, 72, 93, 106  
CPC .... F21S 6/00; F21S 6/002; F21S 6/003; F21S  
6/004; F21V 21/0885; F21L 4/04; H01R  
11/24; F21Y 2115/10  
See application file for complete search history.

D838,888 S \* 1/2019 Shengbiao ..... D26/60  
D861,944 S \* 10/2019 Wu ..... D26/60  
D868,329 S \* 11/2019 Yang ..... D26/60  
(Continued)

**OTHER PUBLICATIONS**

www.toolexperts.com. Clip on LED Light with Alligator Clip.  
Undated product page. Retrieved on Aug. 20, 2020 from <https://  
www.toolexperts.com/clip-on-led-light-with-alligator-clip.html?  
gclid=  
EAlalQobChMl14n7ypaq6wIVE26GCh1fJAFeEAQYASABEgLeWPD\_  
BwE> (Year: 2020).\*

(Continued)

*Primary Examiner* — Sheryl Lane  
*Assistant Examiner* — Stacey L Hopkins  
(74) *Attorney, Agent, or Firm* — McKee, Voorhees &  
Sease, PLC

(57) **CLAIM**

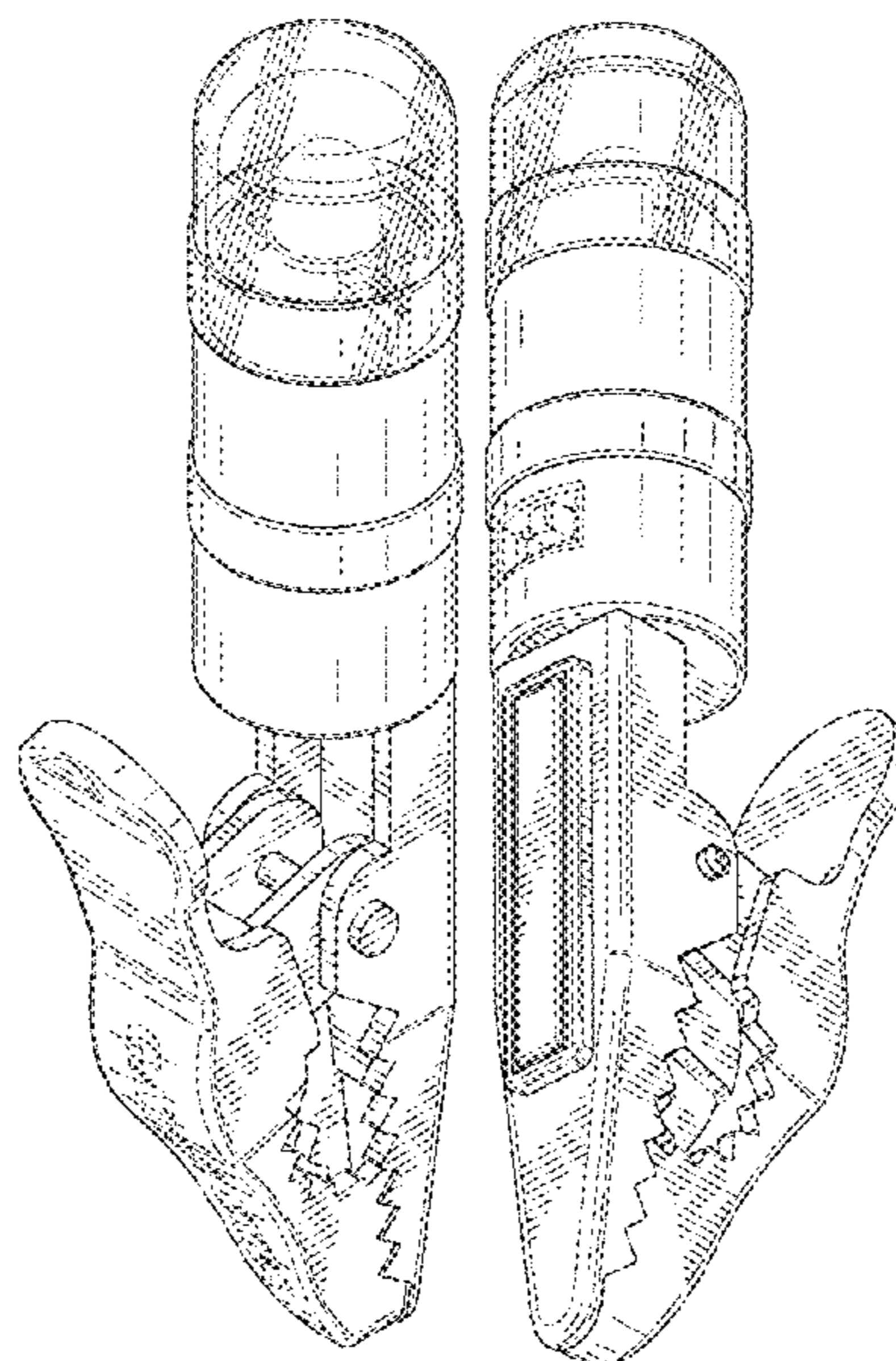
I claim the ornamental design for a multi-use mini-light, as  
shown and described.

**DESCRIPTION**

FIG. 1 is a perspective view of the article in one possible  
orientation.  
FIG. 2 is a perspective view of the article from a different  
viewing perspective.  
FIG. 3 is a top plan view of the article of FIG. 1.  
FIG. 4 is a bottom plan view of the article of FIG. 1.  
FIG. 5 is a right side elevation view of the article of FIG. 1.  
FIG. 6 is a left side elevation view of the article of FIG. 1.  
FIG. 7 is a top end view of the article of FIG. 1; and,  
FIG. 8 is an opposite lower end view of the article of FIG.  
1.  
Throughout the drawings the broken lines depict portions of  
the multi-use mini-light that form no part of the claimed  
designed.

**1 Claim, 7 Drawing Sheets**

(56) **References Cited**  
**U.S. PATENT DOCUMENTS**  
7,048,403 B2 \* 5/2006 Parker ..... F21L 4/00  
362/103  
D524,975 S \* 7/2006 Oas ..... D26/56  
D541,965 S \* 5/2007 Shiu ..... D26/60  
D544,124 S \* 6/2007 Chan ..... D26/43  
D609,376 S \* 2/2010 Cristoforo ..... D26/38  
D633,240 S \* 2/2011 Cheng ..... D26/60  
D670,845 S \* 11/2012 Hsu ..... D26/60  
D685,510 S \* 7/2013 Henry ..... D26/60  
8,506,111 B2 \* 8/2013 Woods ..... F21V 21/0885  
362/191  
9,083,099 B2 \* 7/2015 Yi ..... H01R 11/30  
9,194,547 B2 \* 11/2015 Ancona ..... F21V 21/0885  
9,923,289 B2 \* 3/2018 Bertness ..... G01R 31/364  
D824,062 S \* 7/2018 Qiu ..... D26/60  
D824,580 S \* 7/2018 Hu ..... D26/107  
10,130,441 B2 \* 11/2018 Martinez ..... A61B 90/30



(56)

**References Cited**

U.S. PATENT DOCUMENTS

10,533,733 B1 \* 1/2020 Dewey ..... F21V 21/0965

OTHER PUBLICATIONS

amazon.com: Gator Eyes MultiUse Mini Lights. Date uploaded Sep. 21, 2018 [site visited Nov. 27, 2020]. Retrieved from internet: <[https://www.amazon.com/Gator-Eyes-Multi-use-Mini-lights/dp/B07HKZ8MDZ/ref=sr\\_1\\_5?dchild=1&keywords=GATOR+EYES+LED+LIGHTS&qid=1606502833&sr=8-5](https://www.amazon.com/Gator-Eyes-Multi-use-Mini-lights/dp/B07HKZ8MDZ/ref=sr_1_5?dchild=1&keywords=GATOR+EYES+LED+LIGHTS&qid=1606502833&sr=8-5)> (Year: 2018).\*

paintlifesupply.com: Gator Eyes LED Lights. Undated online product page. Retrieved on Nov. 27, 2020 from <[https://paintlifesupply.com/products/gator-eyes?variant=32296658534455&currency=USD&utm\\_medium=product\\_sync&utm\\_source=google&utm\\_content=sag\\_organic&utm\\_campaign=sag\\_organic](https://paintlifesupply.com/products/gator-eyes?variant=32296658534455&currency=USD&utm_medium=product_sync&utm_source=google&utm_content=sag_organic&utm_campaign=sag_organic)> (Year: 2020).\*

amazon.co.uk: Gator Eyes Multi Use Mini Lights. Date uploaded Sep. 21, 2018 [site visited Nov. 27, 2020]. Retrieved from internet: <[https://www.amazon.co.uk/Gator-Eyes-Multi-use-Mini-Lights/dp/B07HKZ8MDZ/ref=sr\\_1\\_1?dchild=1&keywords=gator+eyes+led+light&qid=1606503427&sr=8-1](https://www.amazon.co.uk/Gator-Eyes-Multi-use-Mini-Lights/dp/B07HKZ8MDZ/ref=sr_1_1?dchild=1&keywords=gator+eyes+led+light&qid=1606503427&sr=8-1)> (Year: 2018).\*

gatoreyeslights.com: Gator Eyes. Undated online product page. Retrieved on Nov. 27, 2020 from <<https://gatoreyeslights.com/#!/Gator-Eyes-Bundle/p/135981767>> (Year: 2020).\*

Dewey, Scott, U.S. Appl. No. 62/633,498, "Multi-Use Mini-Light or Lights, Kit, and Methods of Using," 12 pages, filed Feb. 21, 2018.

\* cited by examiner

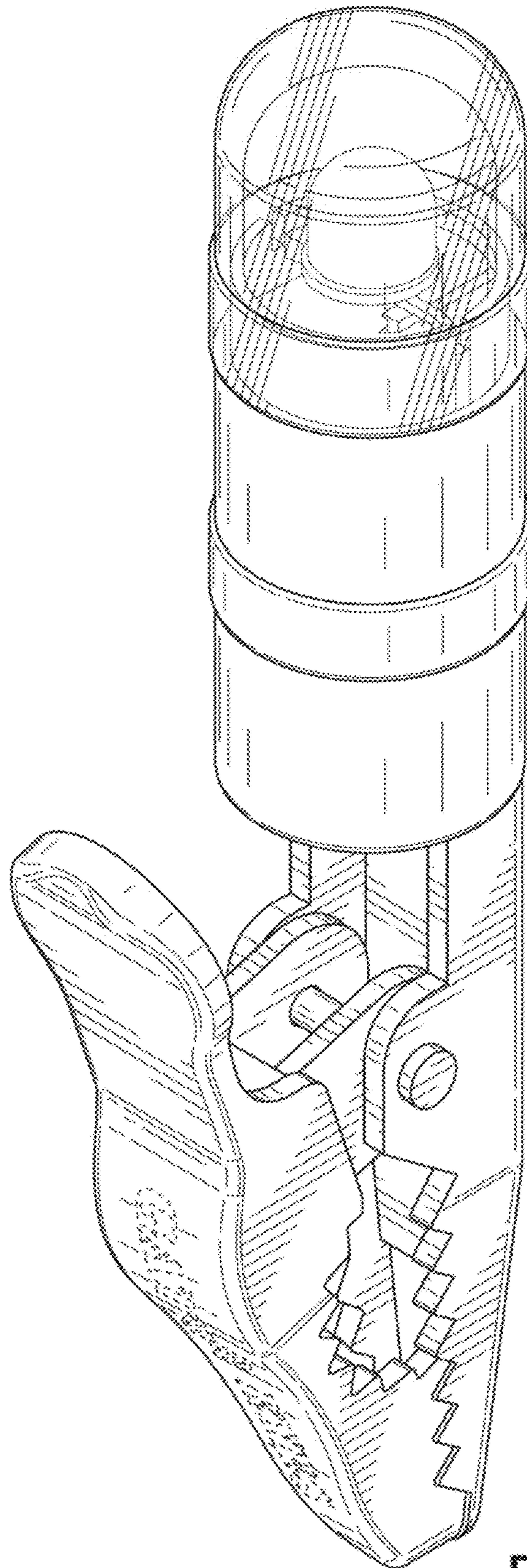


FIG. 1



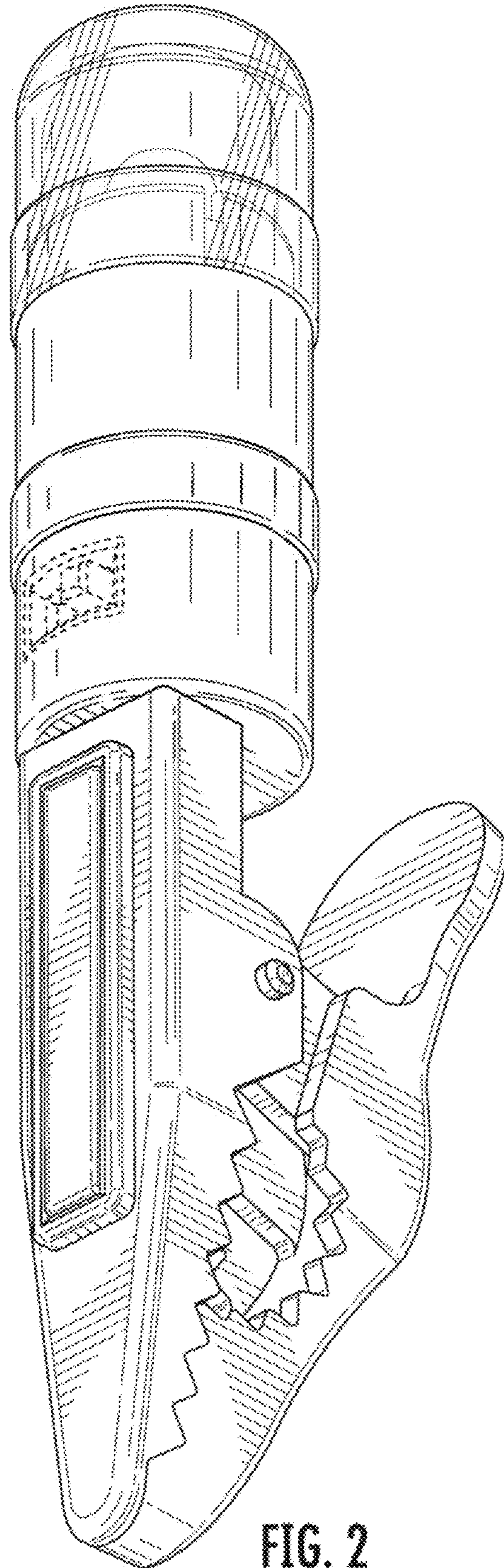


FIG. 2

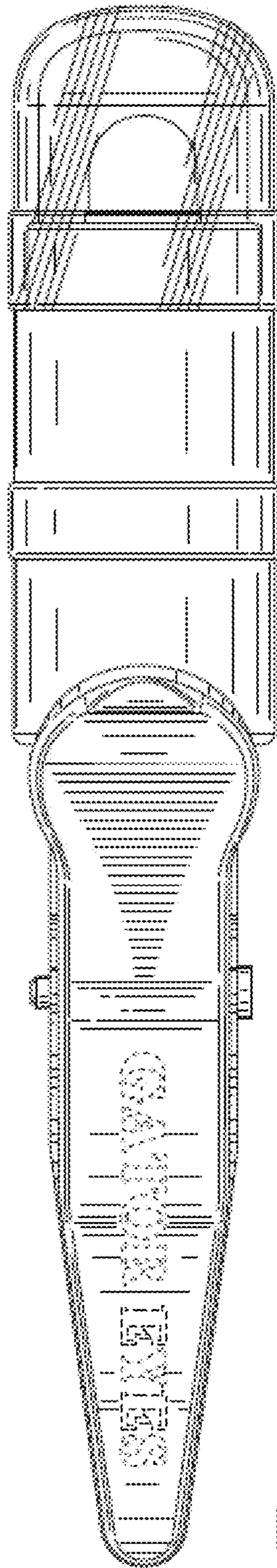


FIG. 3

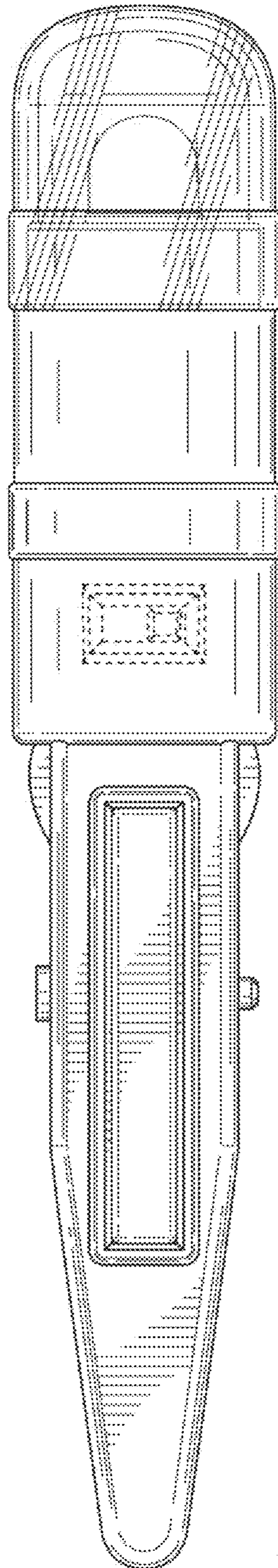


FIG. 4



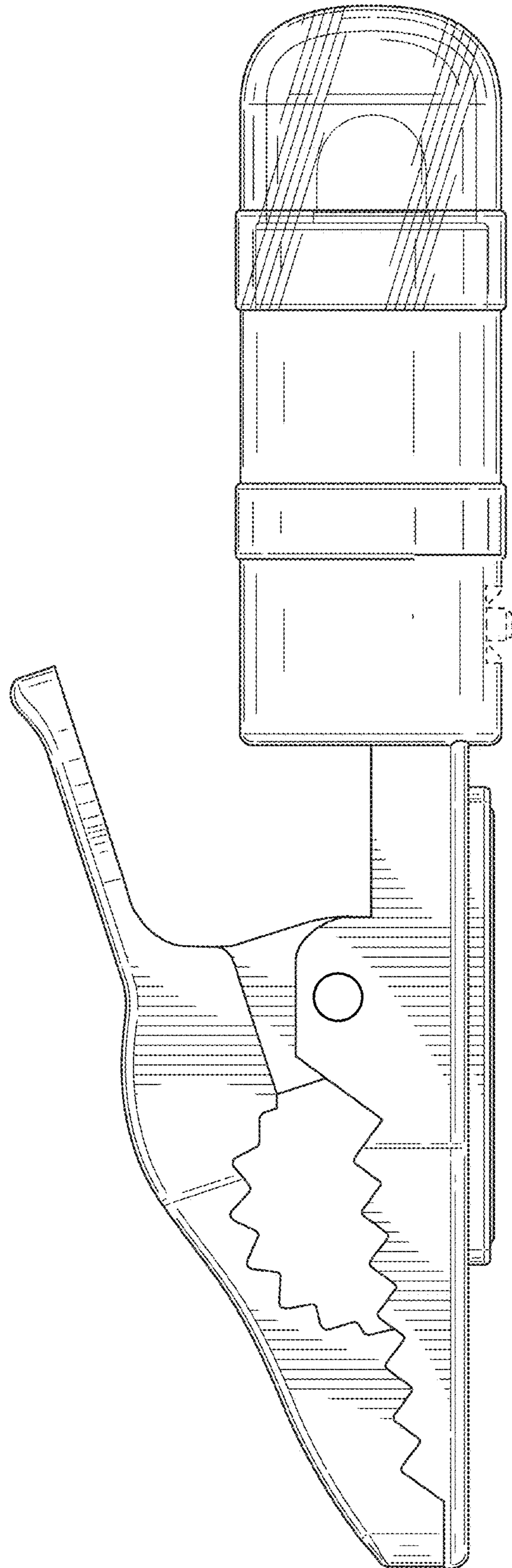


FIG. 5

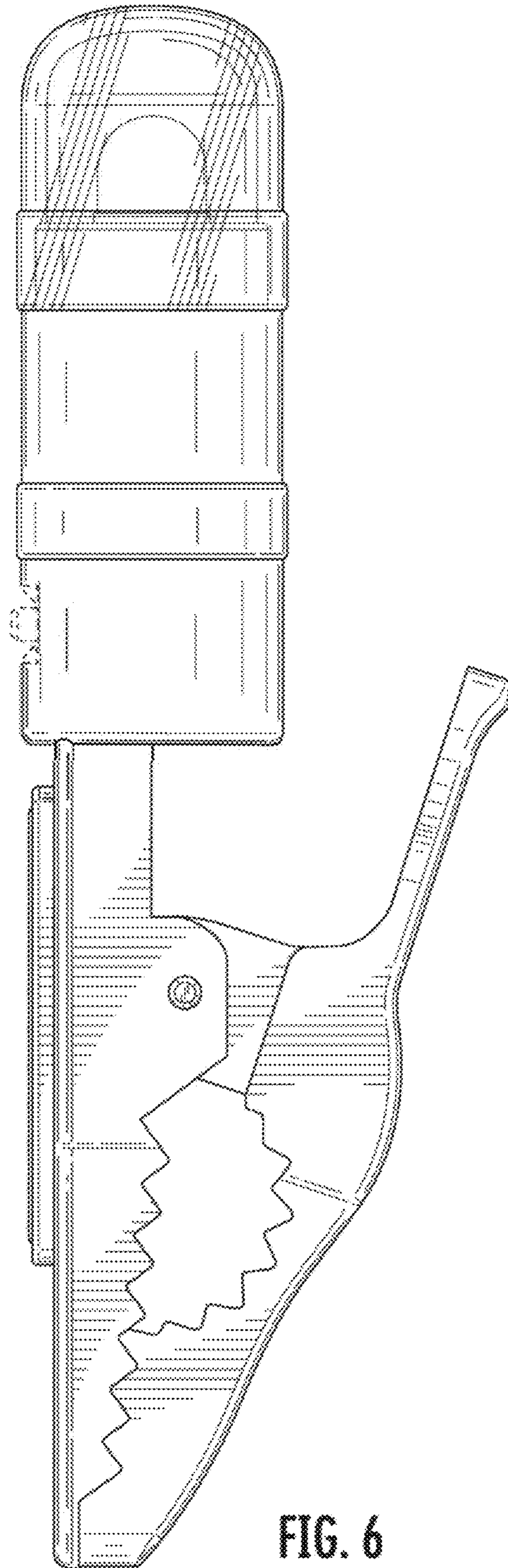


FIG. 6



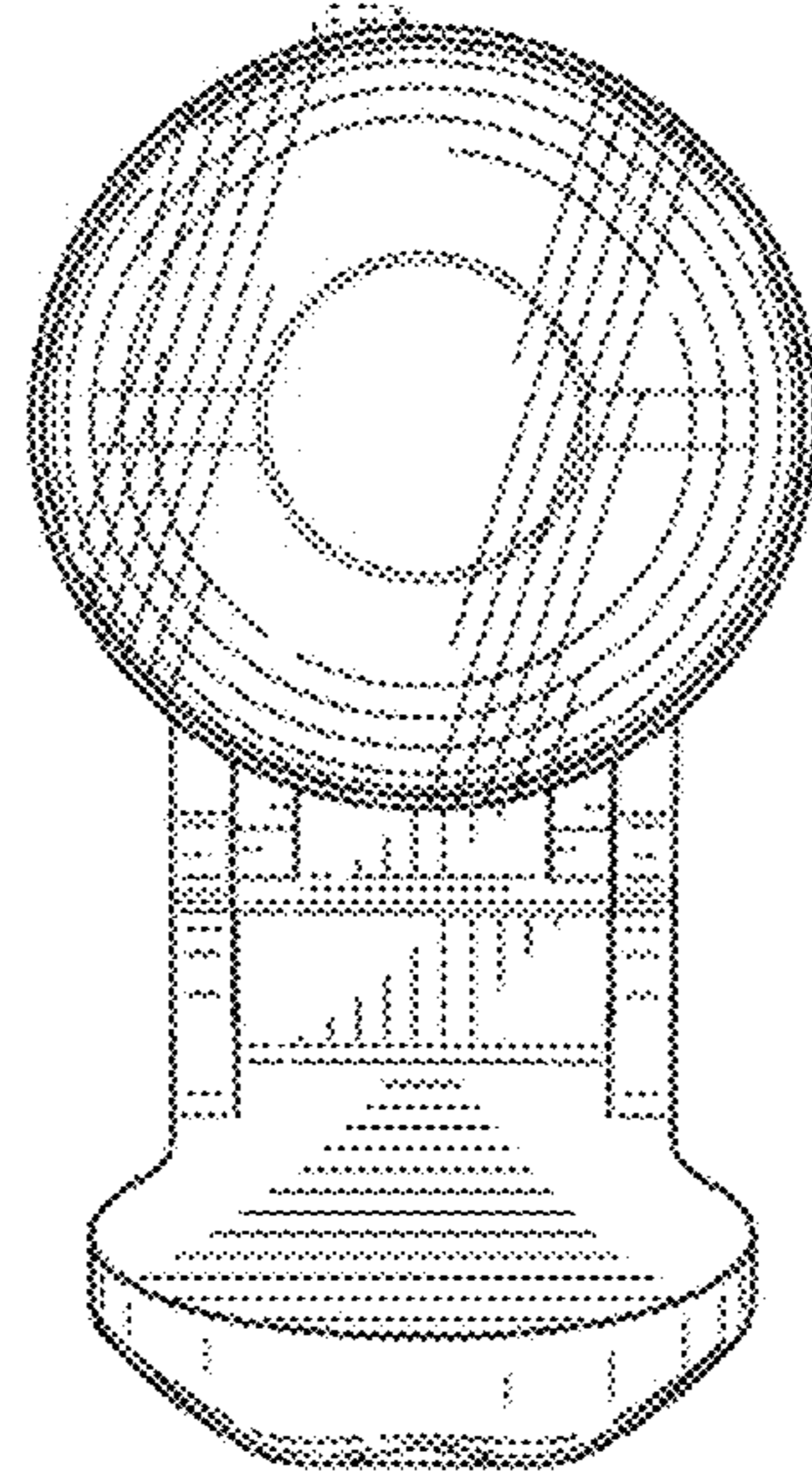


FIG. 7

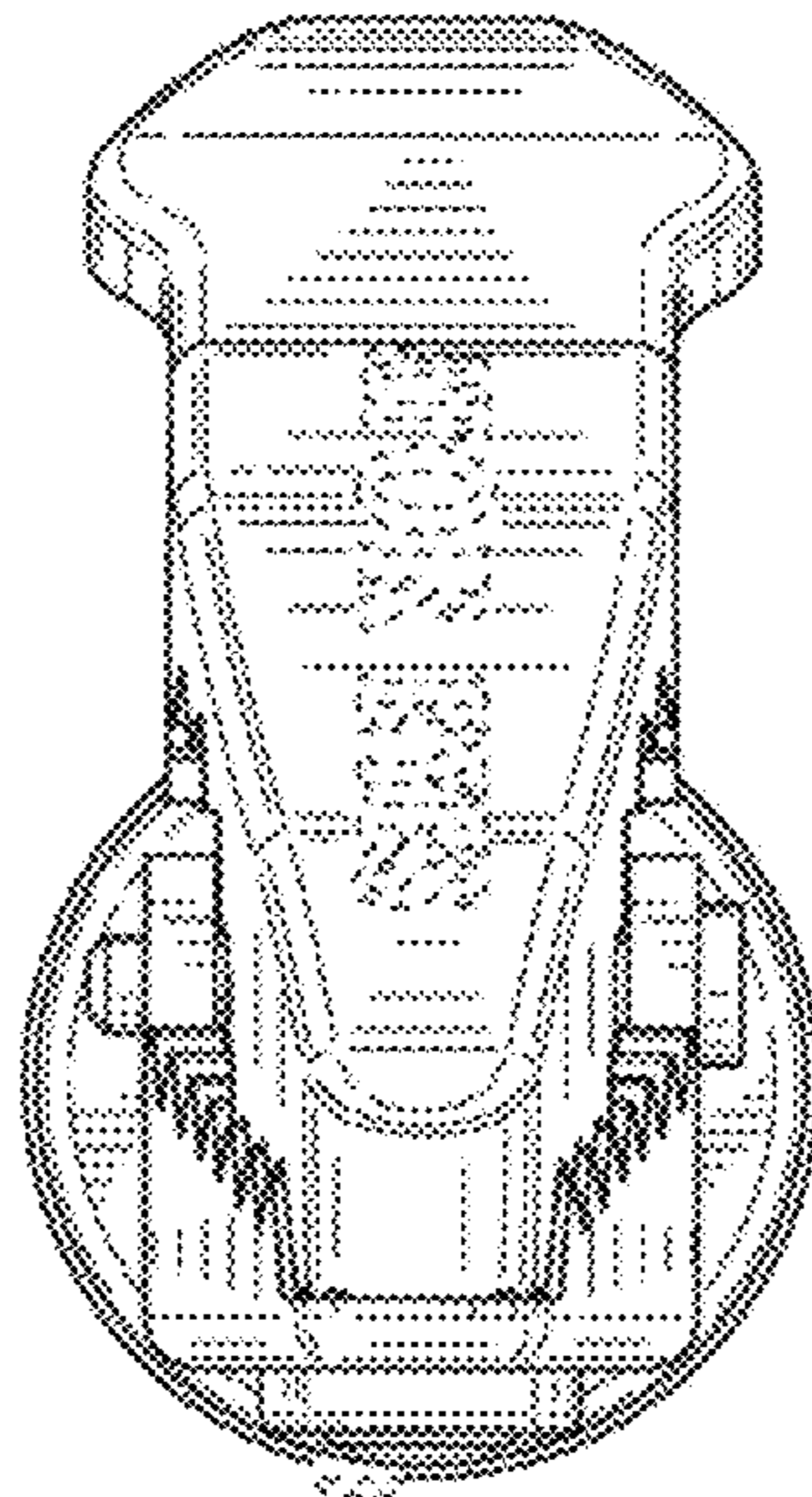


FIG. 8