



US00D915647S

(12) **United States Design Patent**
Wu

(10) **Patent No.:** **US D915,647 S**

(45) **Date of Patent:** **** Apr. 6, 2021**

- (54) **FLASHLIGHT WITH HANDLE**
- (71) Applicant: **Liuning Wu**, Ningbo (CN)
- (72) Inventor: **Liuning Wu**, Ningbo (CN)
- (73) Assignee: **Ningbo Worth International Trade Co., Ltd.**, Ningbo (CN)
- (**) Term: **15 Years**
- (21) Appl. No.: **29/669,987**
- (22) Filed: **Nov. 13, 2018**
- (51) **LOC (13) Cl.** **26-02**
- (52) **U.S. Cl.**
USPC **D26/41**
- (58) **Field of Classification Search**
USPC D26/37-51, 56-57
CPC F21L 2/00; F21L 4/00; F21L 4/005; F21L 4/022; F21L 4/025; F21L 4/027; F21L 17/00; F21L 13/08; F21L 19/00; F21L 21/0085; F21L 21/084; F21W 2111/10
See application file for complete search history.

- D841,851 S * 2/2019 Wu D26/49
- D843,623 S * 3/2019 Wu D26/49
- 10,259,695 B2 * 4/2019 Pontano F21V 33/0084
- D855,852 S * 8/2019 Wu D26/49
- D894,455 S * 8/2020 Kunzendorf D26/41

OTHER PUBLICATIONS

alibaba.com: Mini Aluminum LED Torch Flashlight Carabiner. Undated online product page. Retrieved on Nov. 30, 2020 from <https://www.alibaba.com/product-detail/Mini-Aluminium-LED-Torch-Flashlight-Carabiner_60756382577.html?spm=a2700.galleryofferlist.normal_offer.d_title.33425e4bCMbAtY> (Year: 2020).*

alibaba.com: Rechargeable Carabiner Keychain Flashlight. Undated online product page. Retrieved on Nov. 30, 2020 from <https://www.alibaba.com/product-detail/rechargeable-carabiner-keychain-solar-hand-crank_62233774167.html?spm=a2700.galleryofferlist.normal_offer.d_title.33425e4bCMbAtY> (Year: 2020).*

(Continued)

Primary Examiner — Sheryl Lane
Assistant Examiner — Stacey L Hopkins

(57) **CLAIM**

The ornamental design for a flashlight with handle, as shown and described.

DESCRIPTION

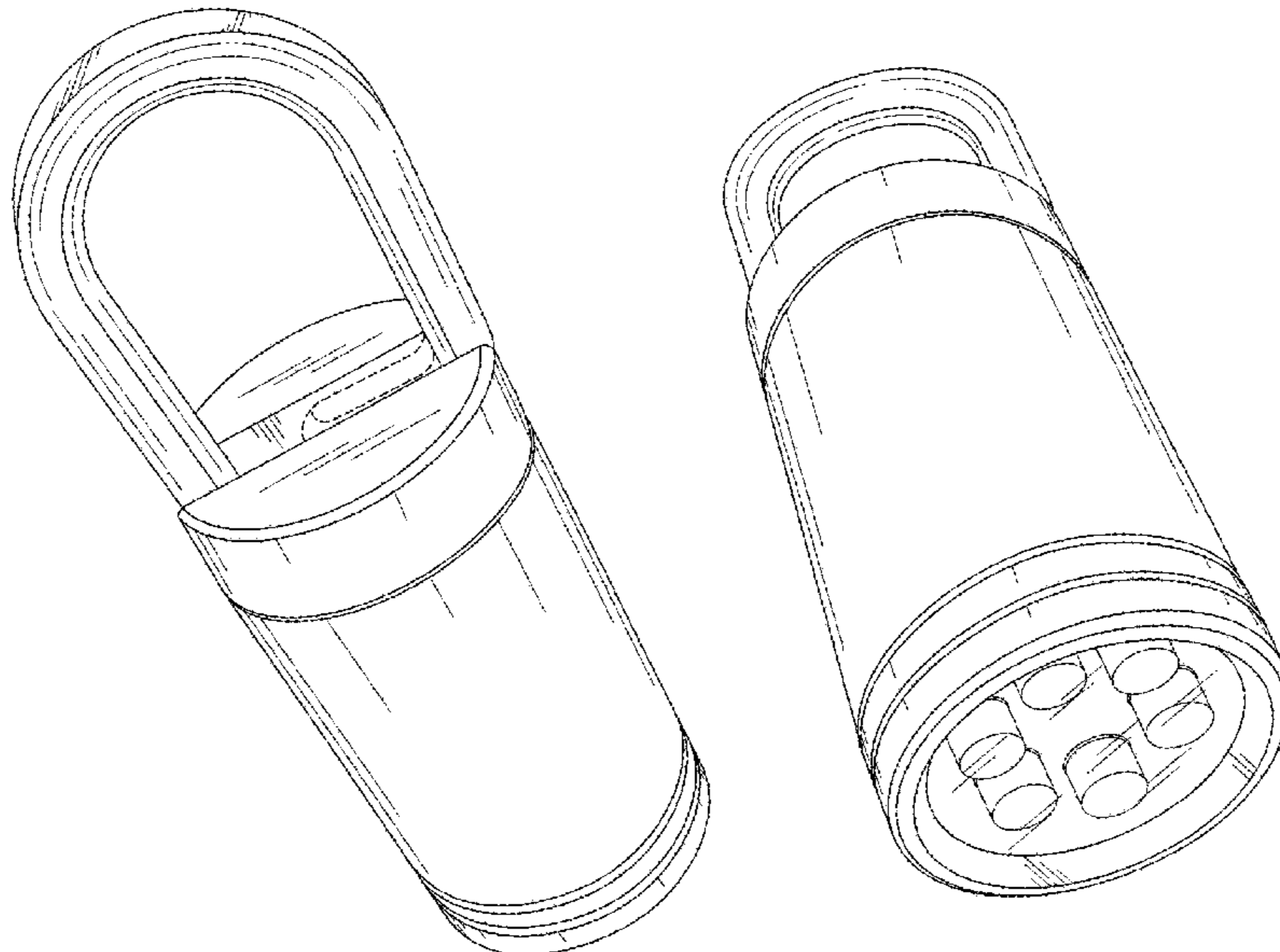
FIG. 1 is a front side perspective view of the flashlight with handle, showing my new design;
FIG. 2 is a rear perspective view thereof;
FIG. 3 is a left side view thereof;
FIG. 4 is a right side view thereof;
FIG. 5 is a front view thereof;
FIG. 6 is a back view thereof;
FIG. 7 is a top view thereof; and,
FIG. 8 is a bottom view of the flashlight with handle.
The portions of the article in FIG. 1 shown in broken lines form no part of the claimed design.

1 Claim, 5 Drawing Sheets

(56) **References Cited**

U.S. PATENT DOCUMENTS

- D296,009 S * 5/1988 Witusik D26/41
- D443,370 S * 6/2001 Yu D26/37
- D467,672 S * 12/2002 Galli D26/37
- 6,511,214 B1 * 1/2003 Parsons A44B 15/005
362/116
- D501,781 S * 2/2005 Galli D26/37
- D528,689 S * 9/2006 Opolka D26/37
- D544,116 S * 6/2007 Wai D26/37
- D572,394 S * 7/2008 Dalton D26/37
- D578,687 S * 10/2008 Hong D26/37
- D584,710 S * 1/2009 Bishop D14/138 AD
- 8,540,404 B2 * 9/2013 Robinson F21L 4/005
362/387
- D809,171 S * 1/2018 Ma D26/49
- D831,250 S * 10/2018 Wu D26/49



(56)

References Cited

OTHER PUBLICATIONS

alibaba.com: COB Flashlight Carabiner Lamp. Undated online product page. Retrieved on Nov. 30, 2020 from <https://www.alibaba.com/product-detail/COB-Flashlight-Carabiner-Lamp_1600154264636.html?spm=a2700.galleryofferlist.normal_offer.d_title.33425e4bCMbAtY> (Year: 2020).*

anypromo.com: Reflector Key Light with Carabiner. Undated online product page. Retrieved on Nov. 30, 2020 from <https://www.anypromo.com/keychains-keylights/key-lights/reflector-key-light-with-carabinerp676301?utm_source=google&utm_medium=. . .> (Year: 2020).*

* cited by examiner

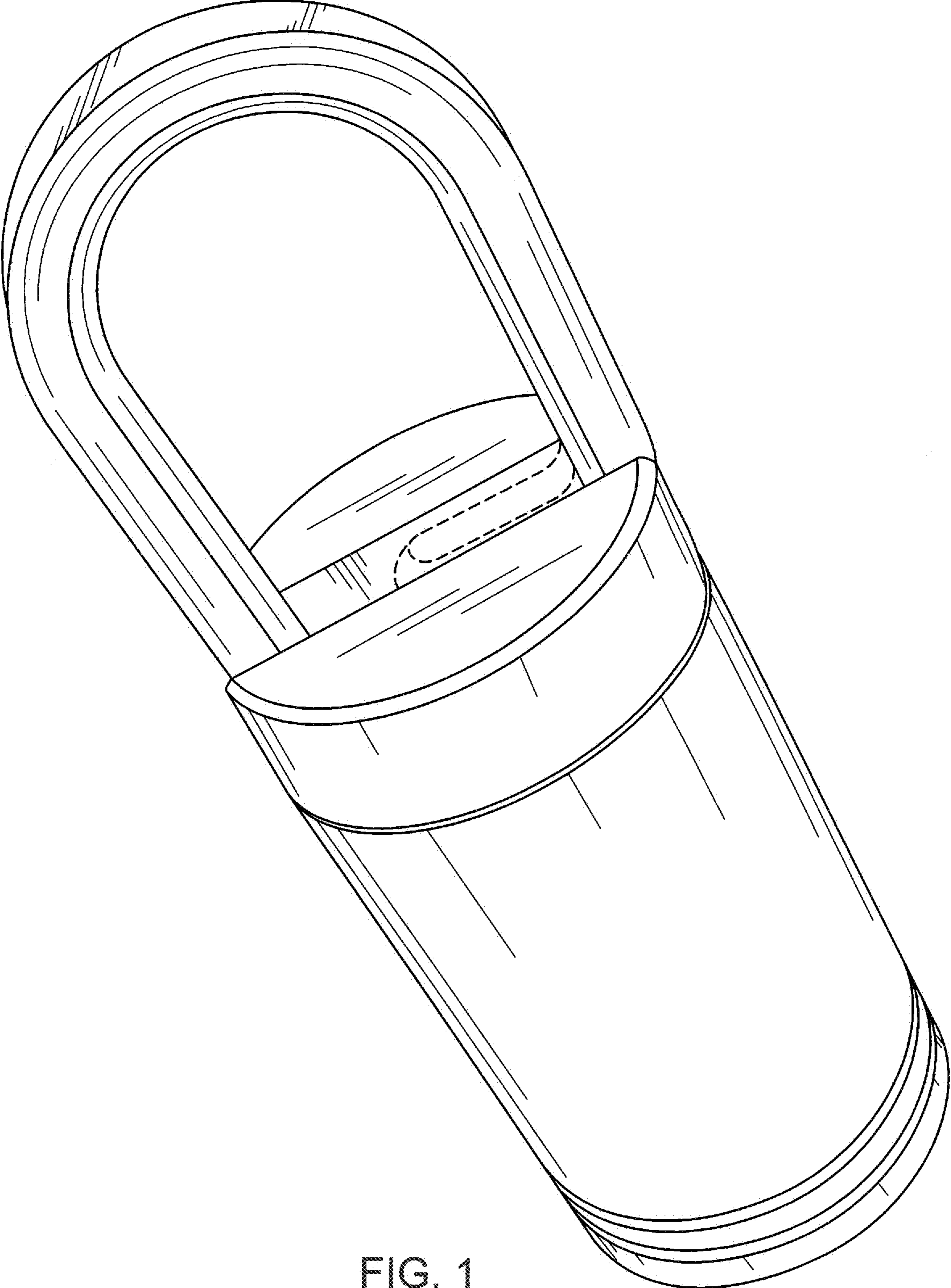


FIG. 1

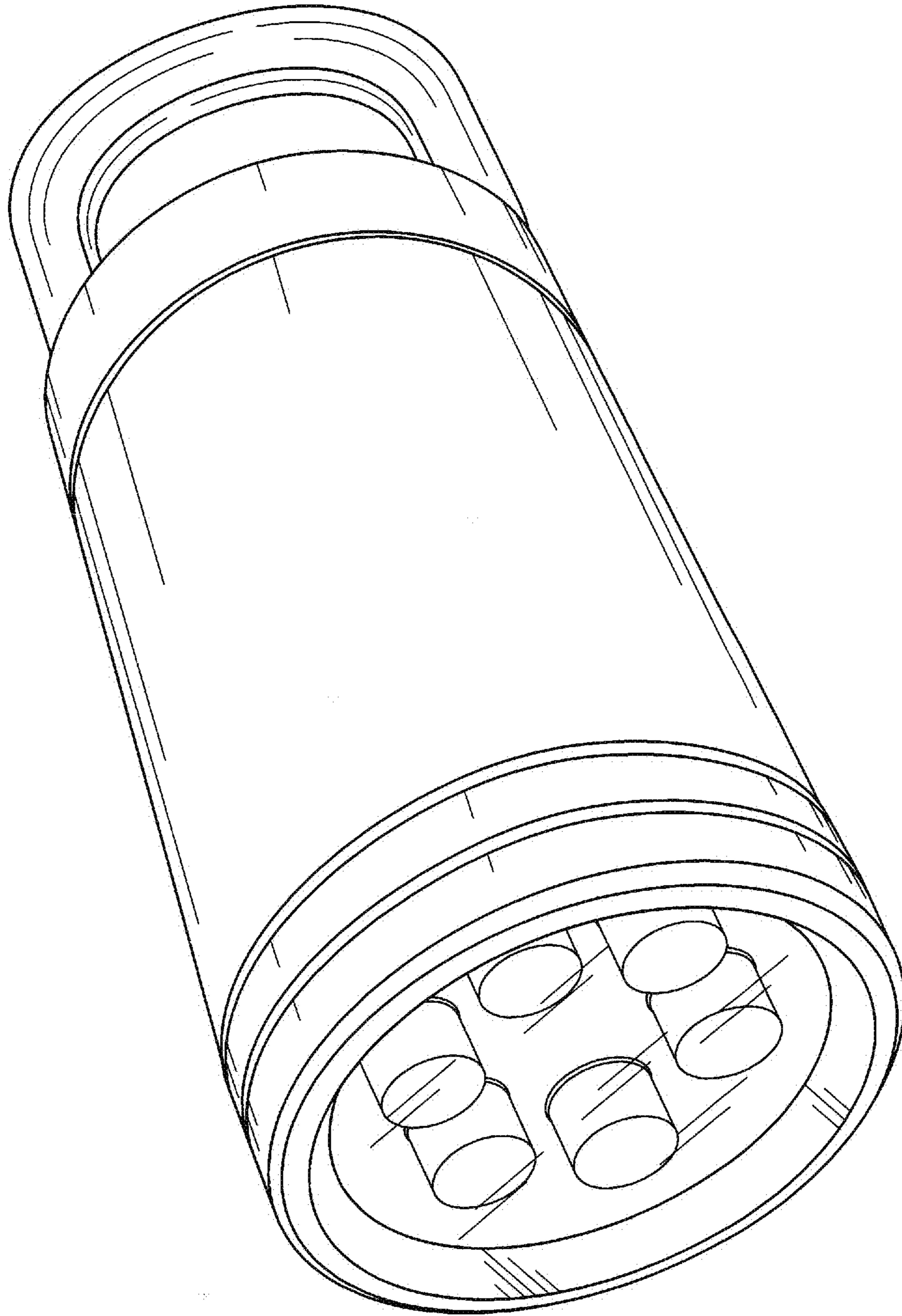


FIG. 2

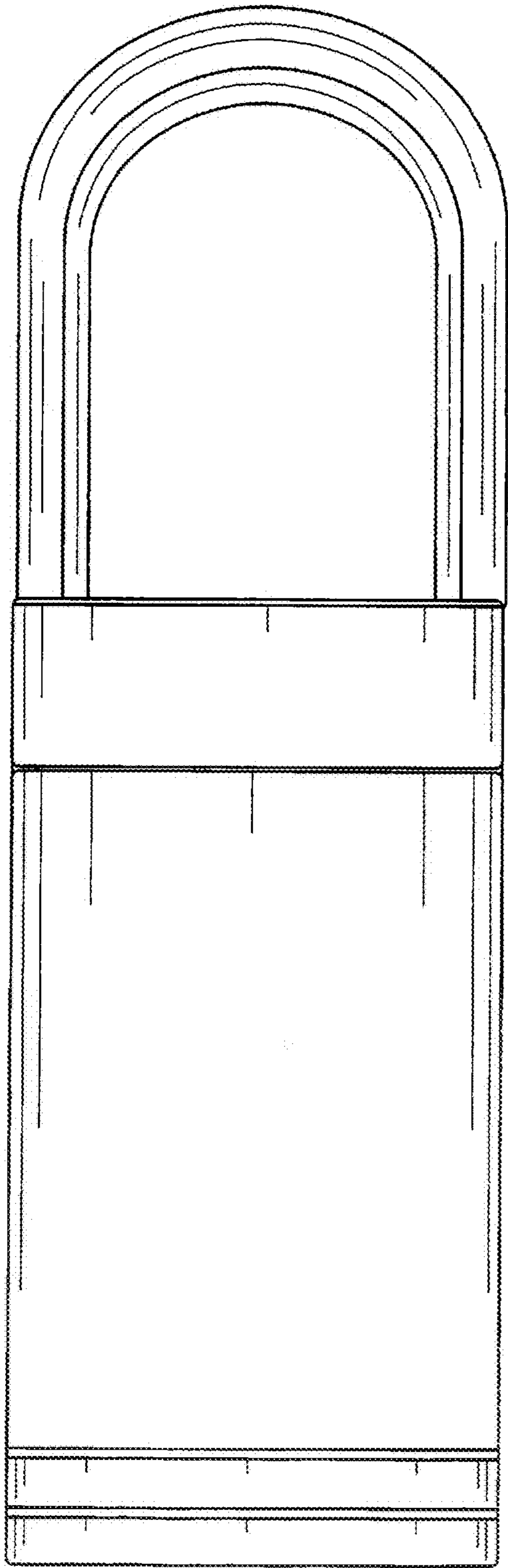


FIG. 3

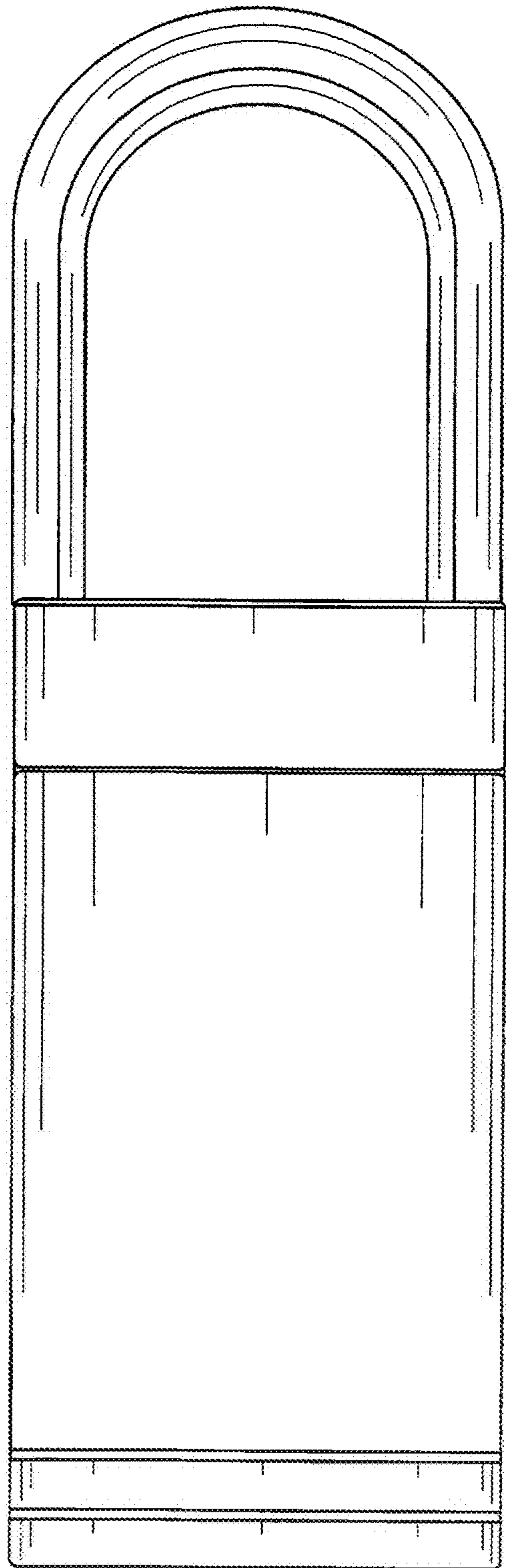


FIG. 4

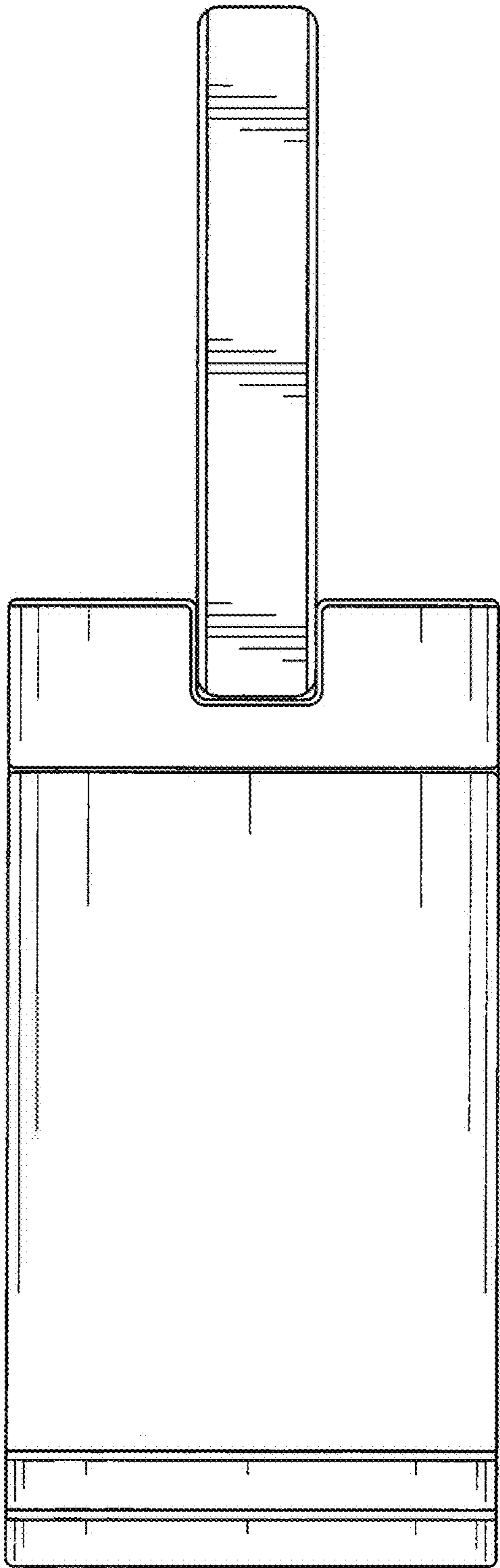


FIG. 5

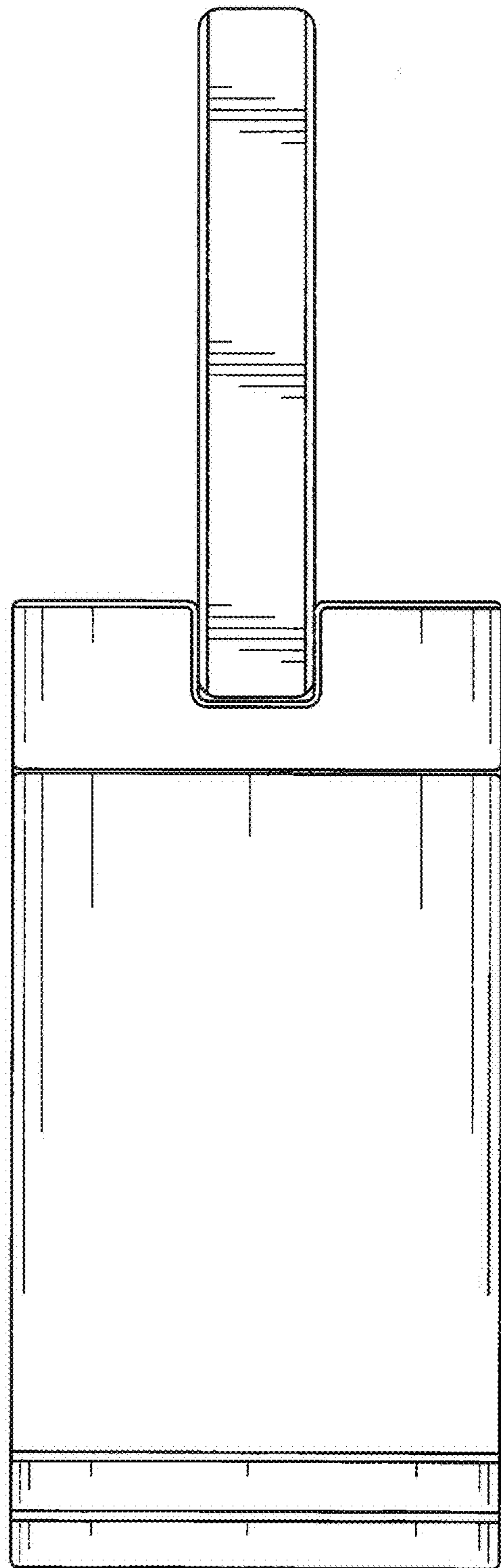


FIG. 6

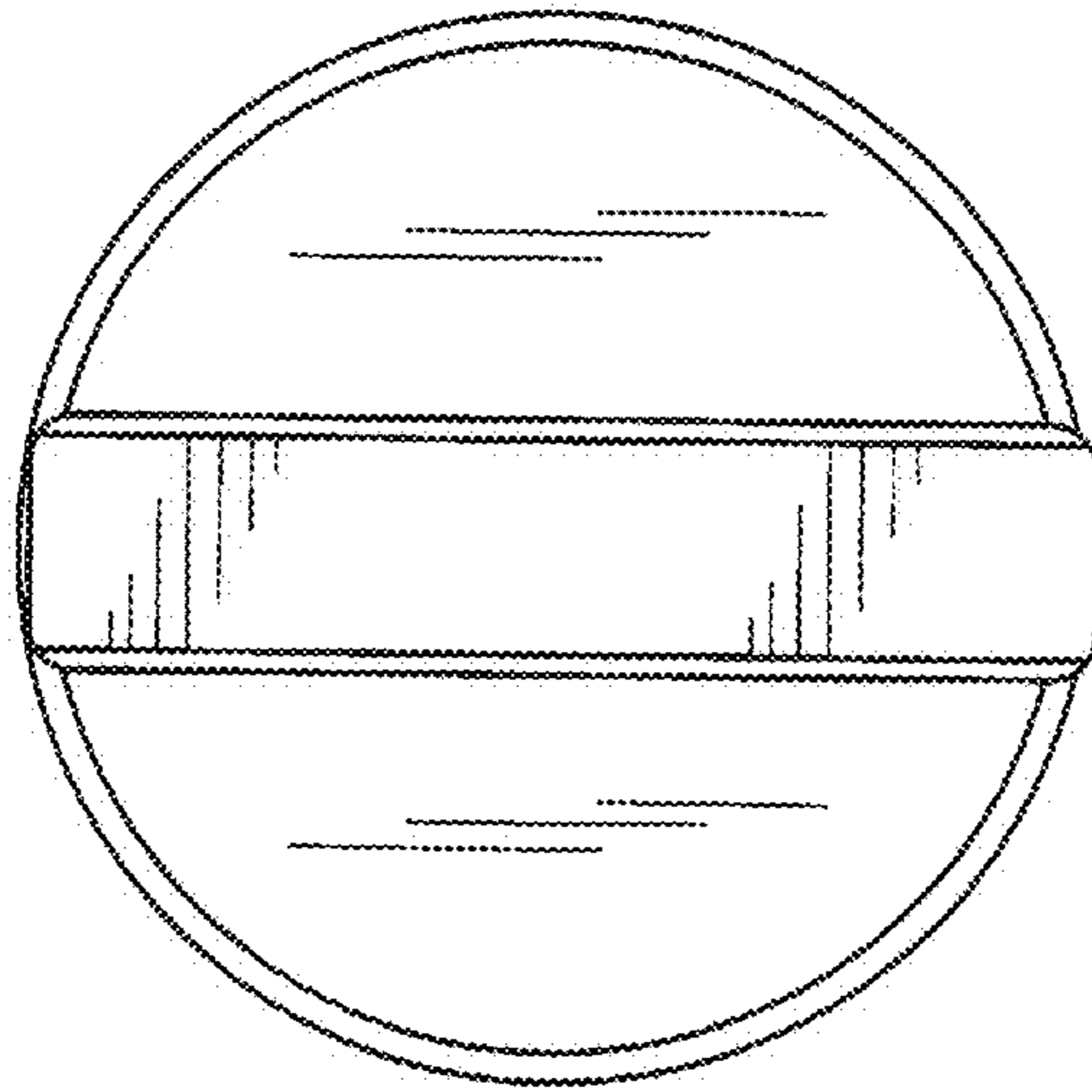


FIG. 7

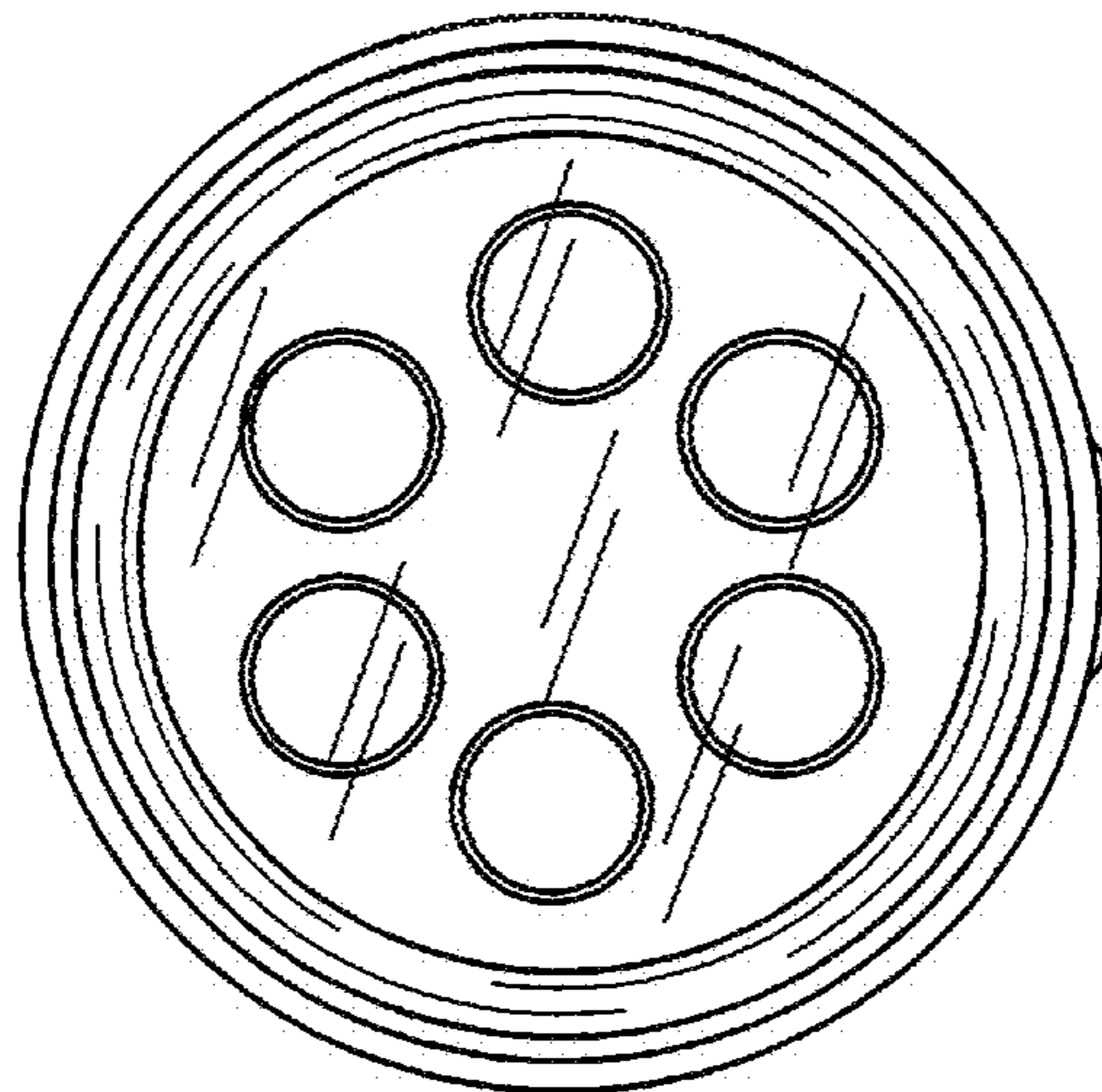


FIG. 8