



US00D915641S

(12) **United States Design Patent**
Zhan

(10) **Patent No.:** **US D915,641 S**

(45) **Date of Patent:** **** Apr. 6, 2021**

(54) **LED VIDEO LIGHT**

(71) Applicant: **Xiamen Fulaishi Film Tools Co., Ltd.**,
Fujian (CN)

(72) Inventor: **Qiang Zhan**, Fujian (CN)

(**) Term: **15 Years**

(21) Appl. No.: **29/677,492**

(22) Filed: **Jan. 21, 2019**

(51) **LOC (13) Cl.** **26-03**

(52) **U.S. Cl.**

USPC **D26/24**

(58) **Field of Classification Search**

USPC D26/24, 37-38, 63, 110, 113, 118;
D16/129, 134, 136, 208, 214, 237, 239,
D16/240, 250

CPC G03B 17/02; G03B 17/04; G03B 17/14;
G03B 17/56; G03B 17/561; G03B
17/563; G03B 17/565; G03B 17/566;
G03B 21/20; G03B 21/2066; G03B
15/041; G03B 15/0436; G02B 7/02;
G02B 7/04; G02B 7/14; H04N 5/2251;
H04N 5/2252; H04N 5/2253; H04N
5/2254; F16M 11/02; F16M 11/20; F16M
11/40

See application file for complete search history.

(56) **References Cited**

U.S. PATENT DOCUMENTS

D388,726 S *	1/1998	Wu	D10/115
D424,715 S *	5/2000	Wu	D26/2
D518,191 S *	3/2006	Griffin	D26/1
D535,039 S *	1/2007	Sorokin	D26/24
D590,074 S *	4/2009	Chang	D26/1
D670,416 S *	11/2012	Renshaw	D26/28
D690,453 S *	9/2013	Guercio	D26/88
D702,279 S *	4/2014	Zhan	D16/239
D711,576 S *	8/2014	Zhan	D26/63

D776,186 S *	1/2017	Gammons	D16/239
D785,822 S *	5/2017	Huang	D26/28
D796,722 S *	9/2017	Zhu	D26/72
D855,247 S *	7/2019	Wang	D26/118
D883,550 S *	5/2020	Deng	D26/63
D889,015 S *	6/2020	Li	D26/63
D892,199 S *	8/2020	Peng	D16/237

OTHER PUBLICATIONS

bhphotovideo.com: Rotolight NEO 2 LED Light. Undated online product page. Retrieved on Dec. 15, 2020 from <https://www.bhphotovideo.com/c/product/1360356-REG/rotolight_rl_neo_ii_pro_hd_led_neo.html?ap=y&ap=y&smp=y&smp=y&lsft=Bl%3A514&gclid=EAlalQobChMI7Y-1hK7Q7QIVwfezCh2QLQI6EAKYBiABEgLDxvD_BwE> (Year: 2020).*

* cited by examiner

Primary Examiner — Brian N. Vinson

(74) *Attorney, Agent, or Firm* — Prakash Nama; Global IP Services, PLLC

(57) **CLAIM**

The ornamental design for a LED video light, as shown and described.

DESCRIPTION

FIG. 1 is a perspective view of a LED video light showing my new design;

FIG. 2 is another perspective view thereof;

FIG. 3 is a front elevational view thereof;

FIG. 4 is a rear elevational view thereof;

FIG. 5 is a right side view thereof;

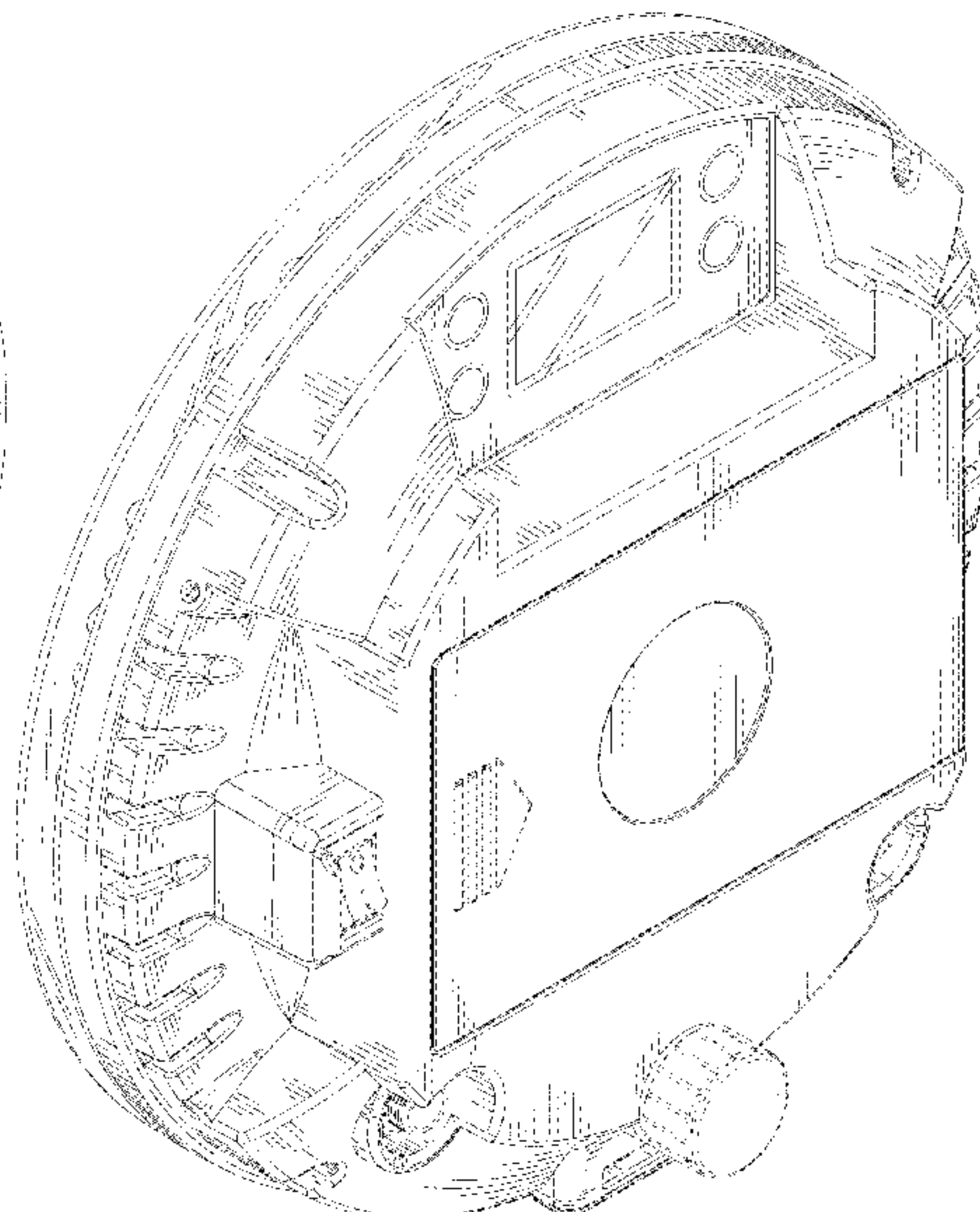
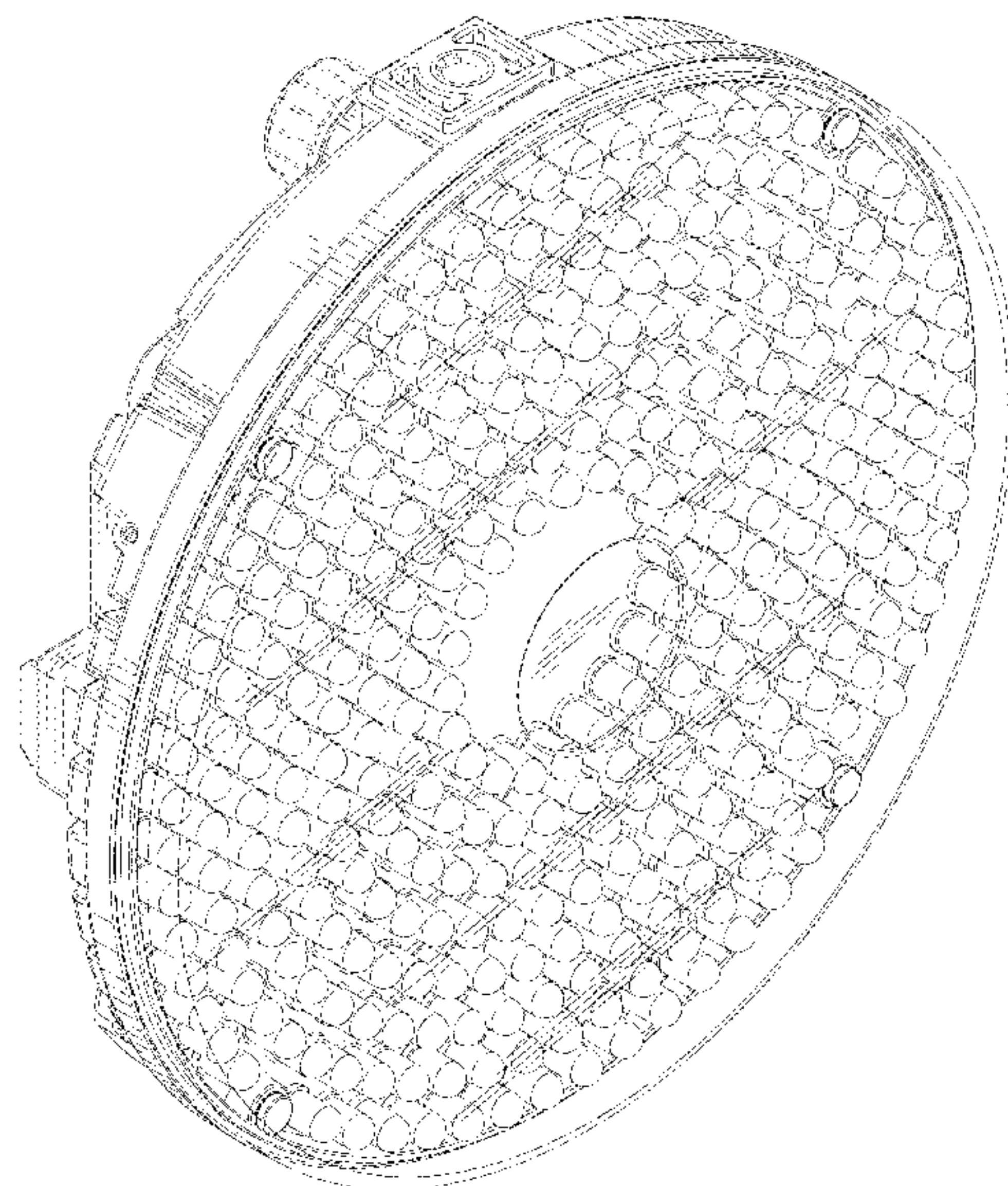
FIG. 6 is a left side view thereof;

FIG. 7 is a bottom plan view thereof; and,

FIG. 8 is a top plan view thereof.

Throughout the drawings the broken lines depict portions of the LED video light that form no part of the claimed design.

1 Claim, 8 Drawing Sheets



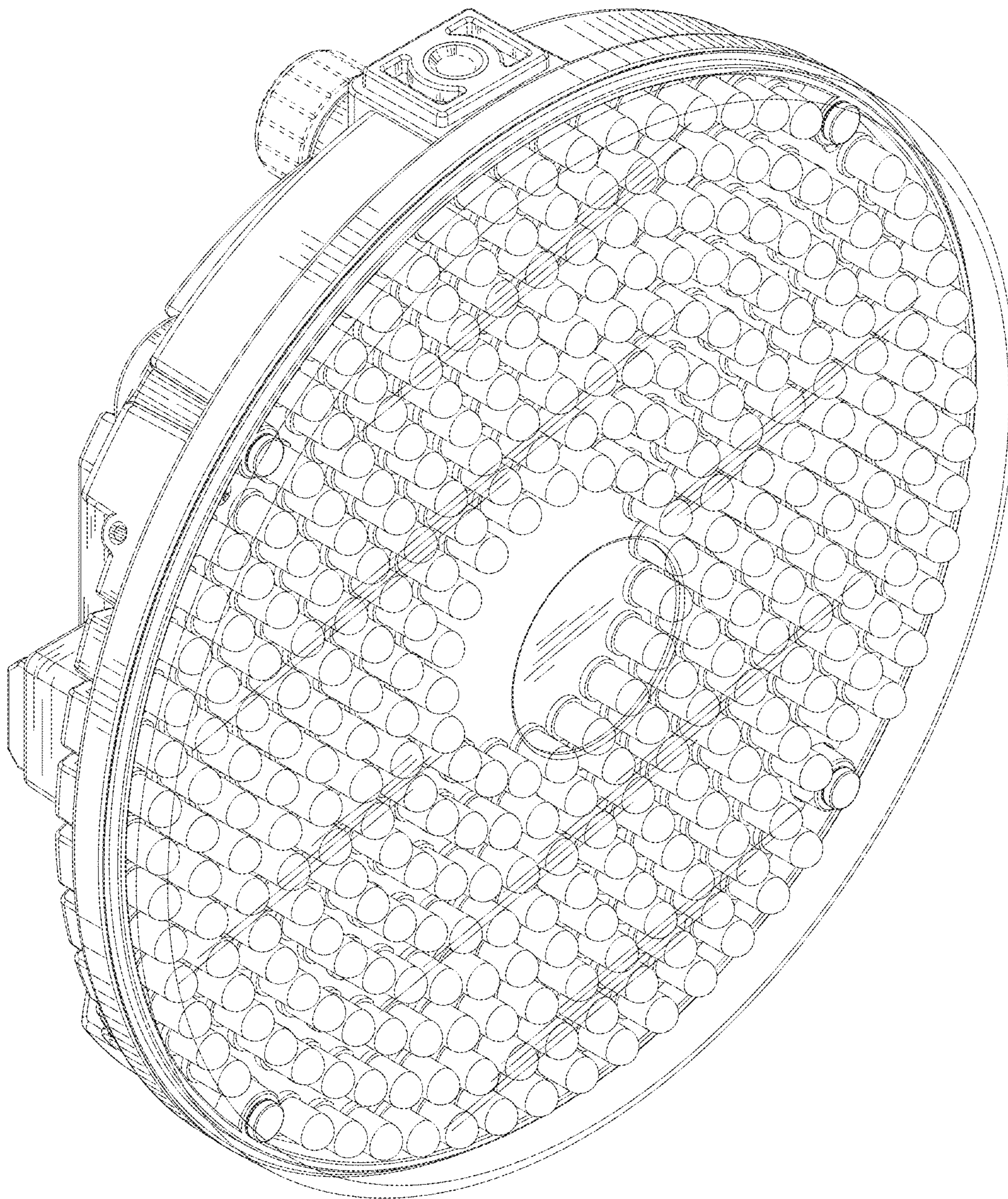


FIG. 1

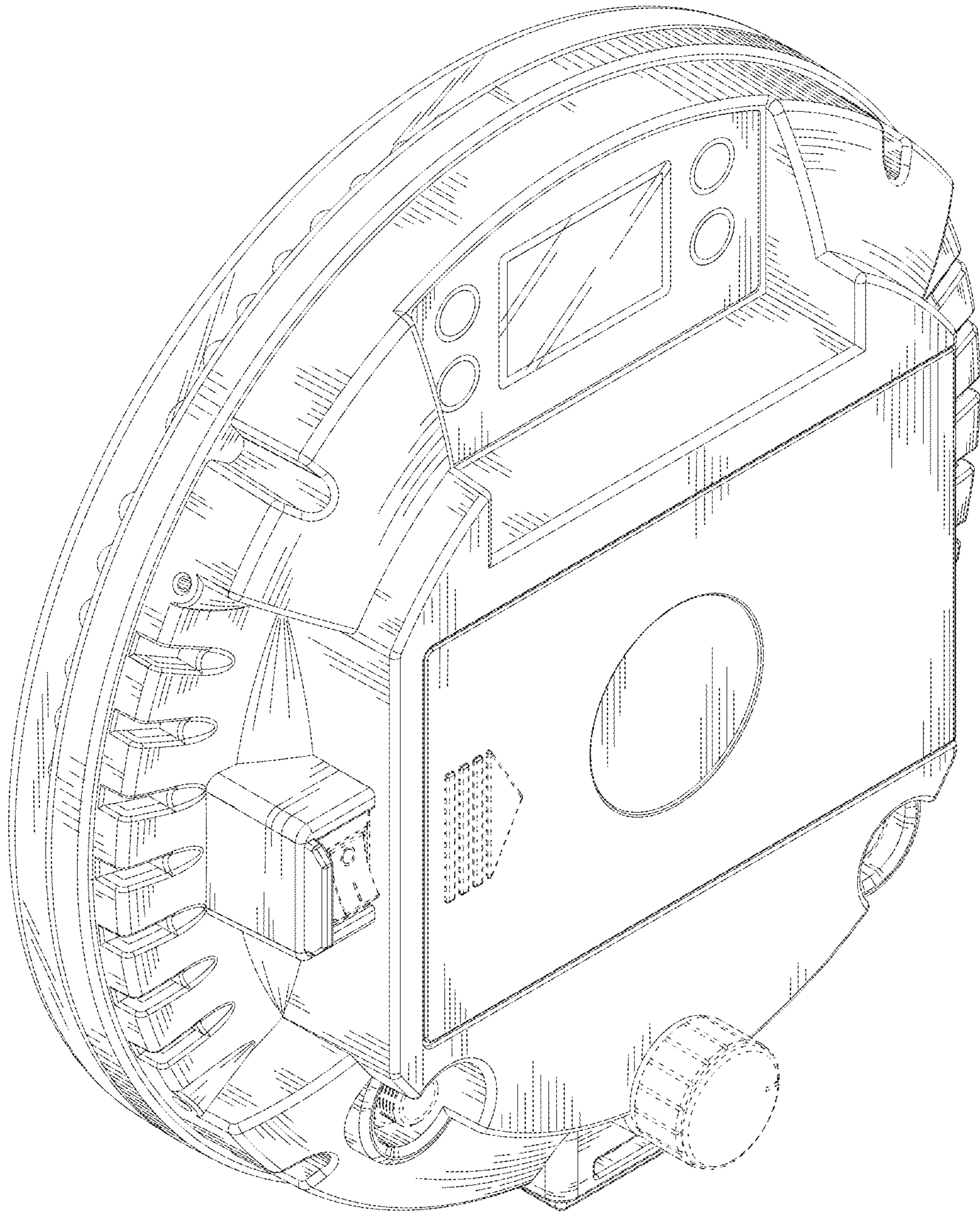


FIG. 2

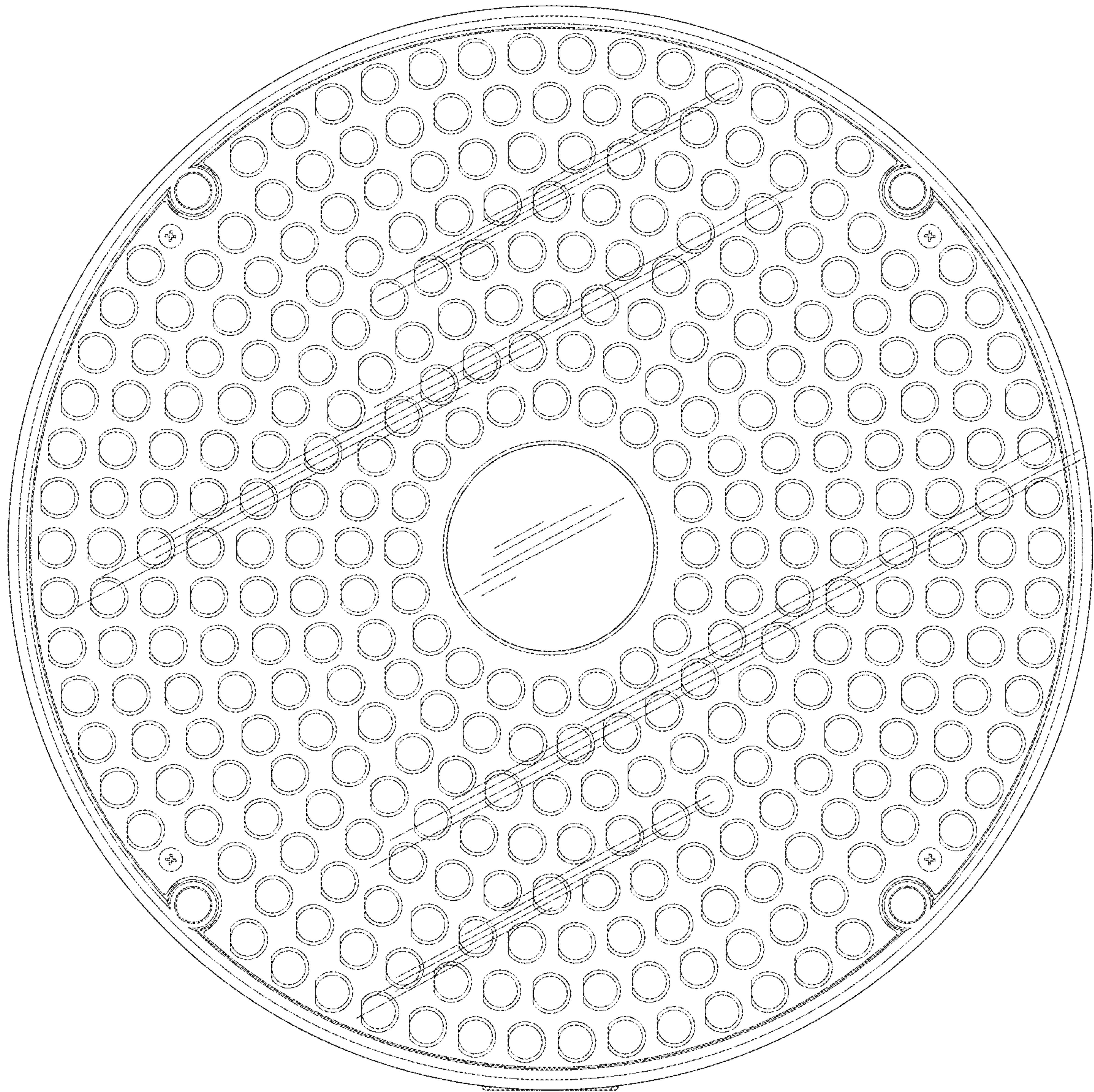


FIG. 3

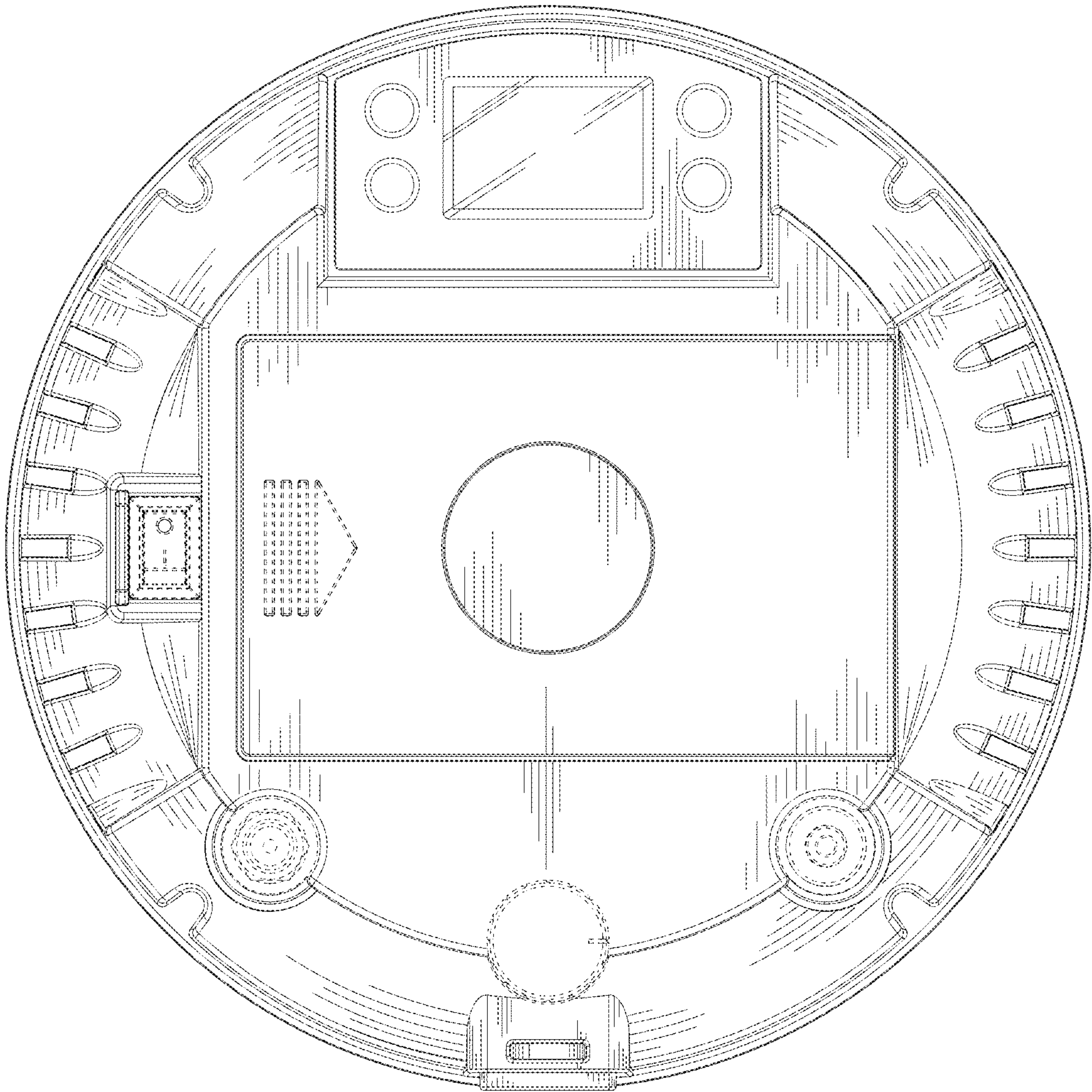


FIG. 4

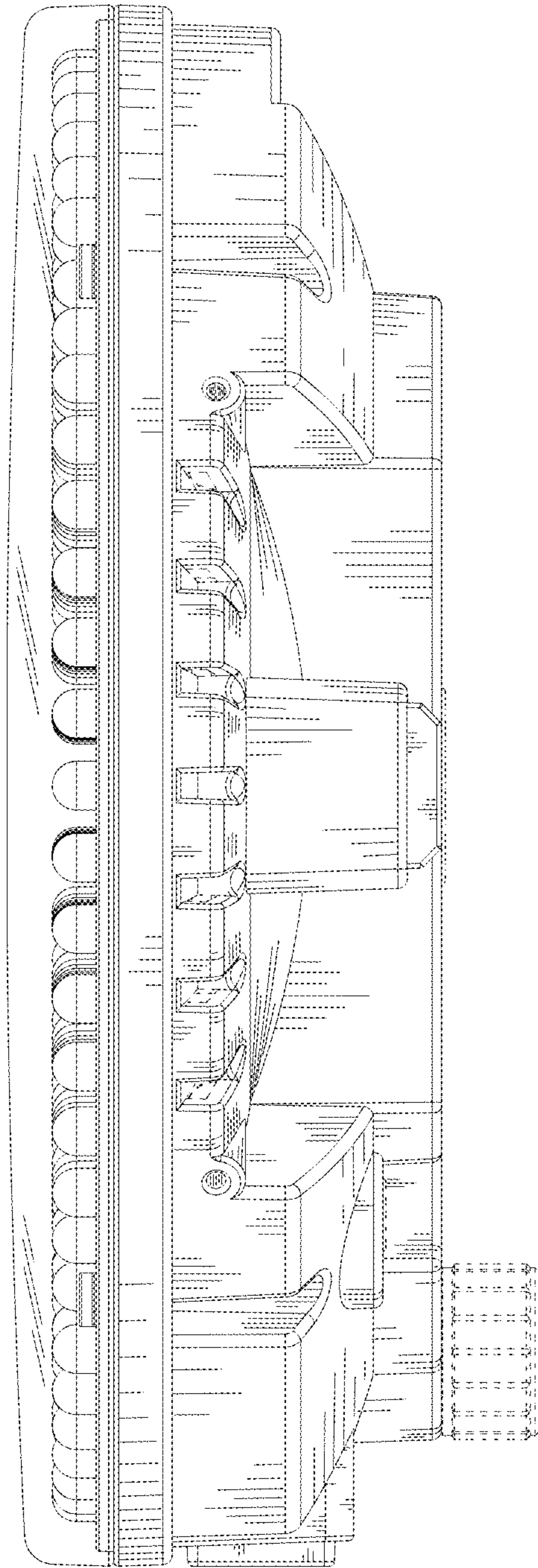


FIG. 5

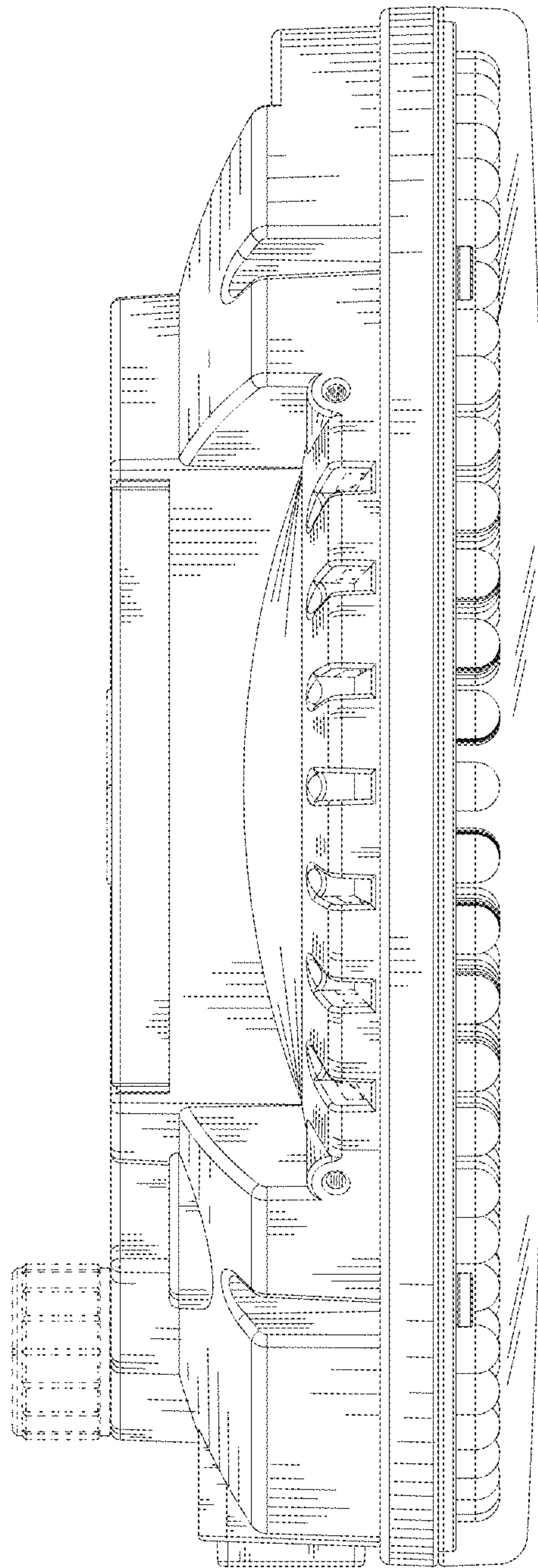


FIG. 6

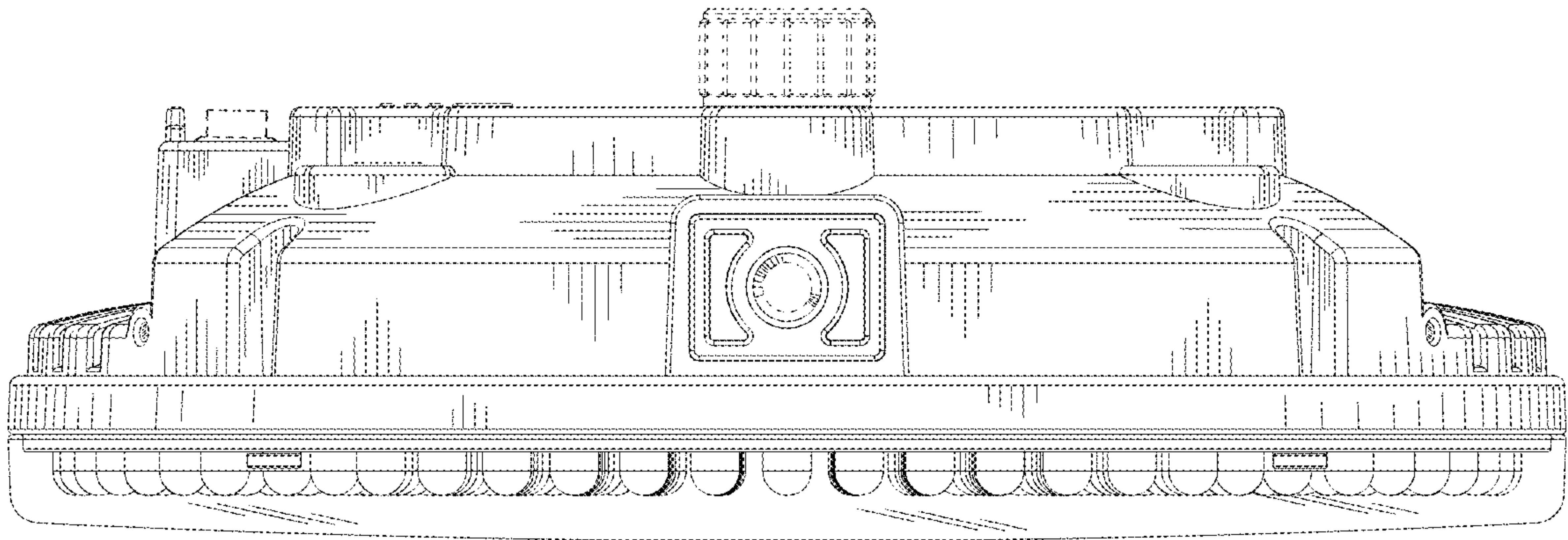


FIG. 7

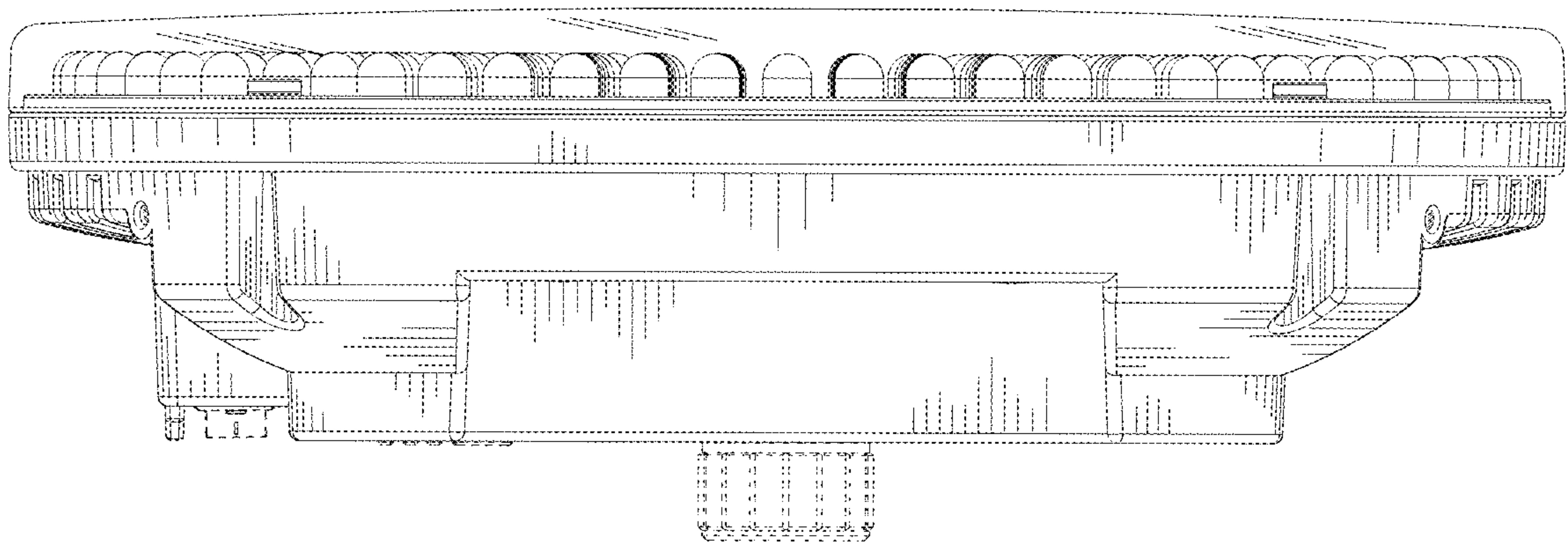


FIG. 8