



US00D915639S

(12) **United States Design Patent**
Zhao

(10) **Patent No.:** **US D915,639 S**

(45) **Date of Patent:** **** Apr. 6, 2021**

- (54) **PORTABLE LIGHT BULB**
- (71) Applicant: **HongChun Zhao**, ShenZhen (CN)
- (72) Inventor: **HongChun Zhao**, ShenZhen (CN)
- (**) Term: **15 Years**
- (21) Appl. No.: **29/744,110**
- (22) Filed: **Jul. 27, 2020**
- (51) **LOC (13) Cl.** **26-04**
- (52) **U.S. Cl.**
USPC **D26/1**
- (58) **Field of Classification Search**
USPC D26/1-7
CPC H01R 5/00; H01R 13/46; H01R 13/514;
H01R 31/048; H01R 31/02; H01J 5/00;
H01J 5/16; H01J 1/02; H01J 15/00; H01J
5/48; H01J 5/50; H01J 19/54; F21V 5/00;
F21K 9/00; F21K 13/00
See application file for complete search history.

- D827,880 S 9/2018 Chen et al.
- D847,414 S 4/2019 Danesh et al.
- D858,865 S 9/2019 Ai
- 10,429,020 B2 10/2019 Grandadam
- D876,675 S 2/2020 Grandadam
- D883,548 S 5/2020 Hand et al.

* cited by examiner

Primary Examiner — Marcus A Jackson
(74) *Attorney, Agent, or Firm* — iPA & iPM

(57) **CLAIM**

The ornamental design for a portable light bulb, as shown and described.

DESCRIPTION

FIG. 1 is a first perspective view from above of a portable light bulb showing my new design;
 FIG. 2 is a left side view thereof;
 FIG. 3 is a front view thereof;
 FIG. 4 is a top view thereof;
 FIG. 5 is a bottom view thereof;
 FIG. 6 is a back view thereof;
 FIG. 7 is a right side view thereof;
 FIG. 8 is a perspective view of a suction cup fitted into one of a plurality of slots for attachment purpose;
 FIG. 9 is a perspective view of hanging the portable light bulb via a string and a magnet paired with one of a plurality of positions on the portable light bulb; and,
 FIG. 10 is a second perspective view from below of the portable light bulb.
 Broken lines are for illustration purposes and form no part of the claimed design.

(56) **References Cited**

U.S. PATENT DOCUMENTS

- 5,183,330 A 2/1993 Rishel et al.
- D508,291 S * 8/2005 Janssen D26/1
- D548,857 S * 8/2007 Egawa D26/1
- D600,836 S * 9/2009 Hanley D26/1
- D625,847 S * 10/2010 Maglica D26/1
- D626,255 S * 10/2010 Hiratsuka D26/1
- D636,116 S 4/2011 Kim et al.
- D701,333 S 3/2014 Wen
- D739,970 S 9/2015 Chin
- D764,097 S 8/2016 Hamel et al.

1 Claim, 9 Drawing Sheets

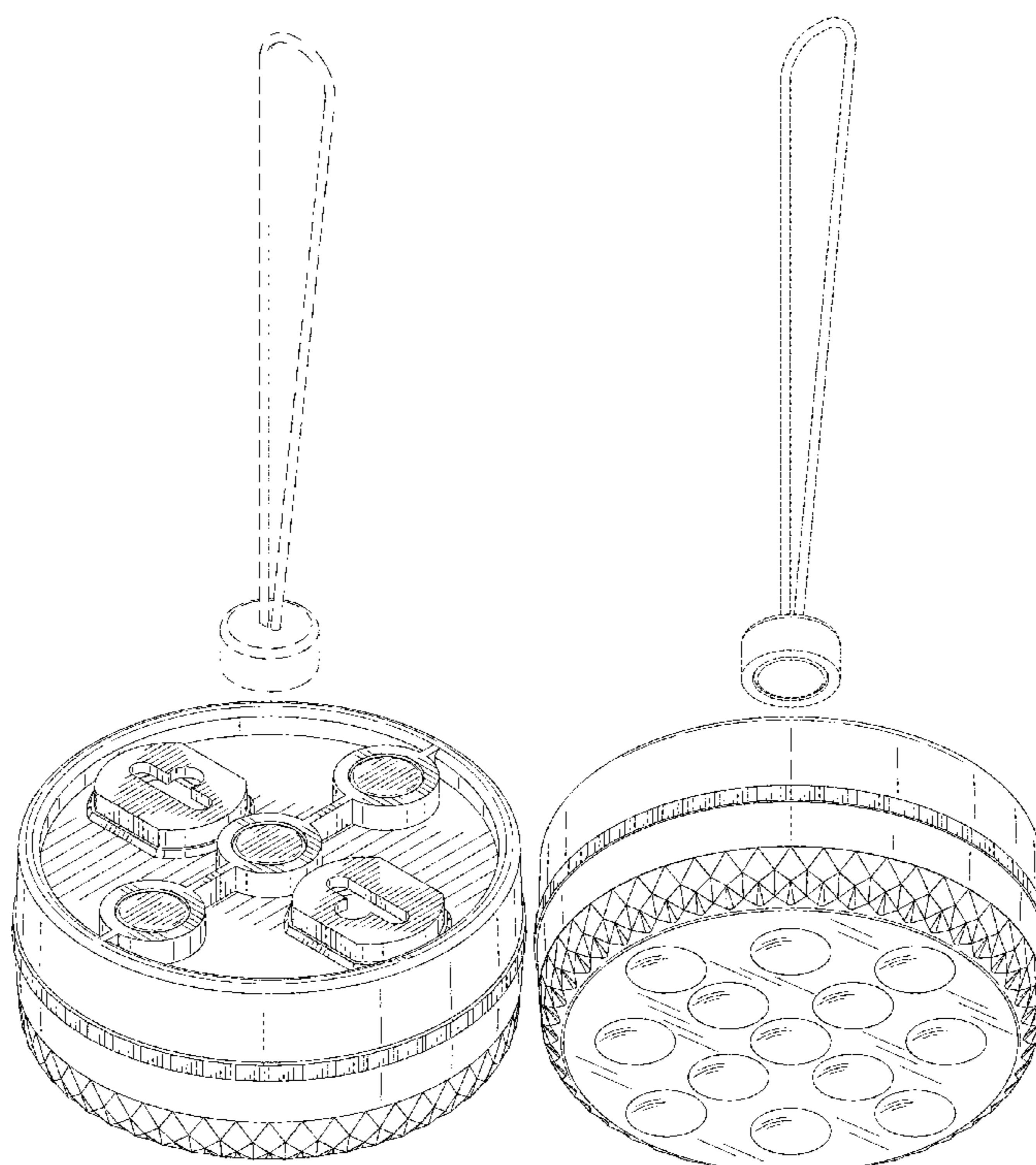
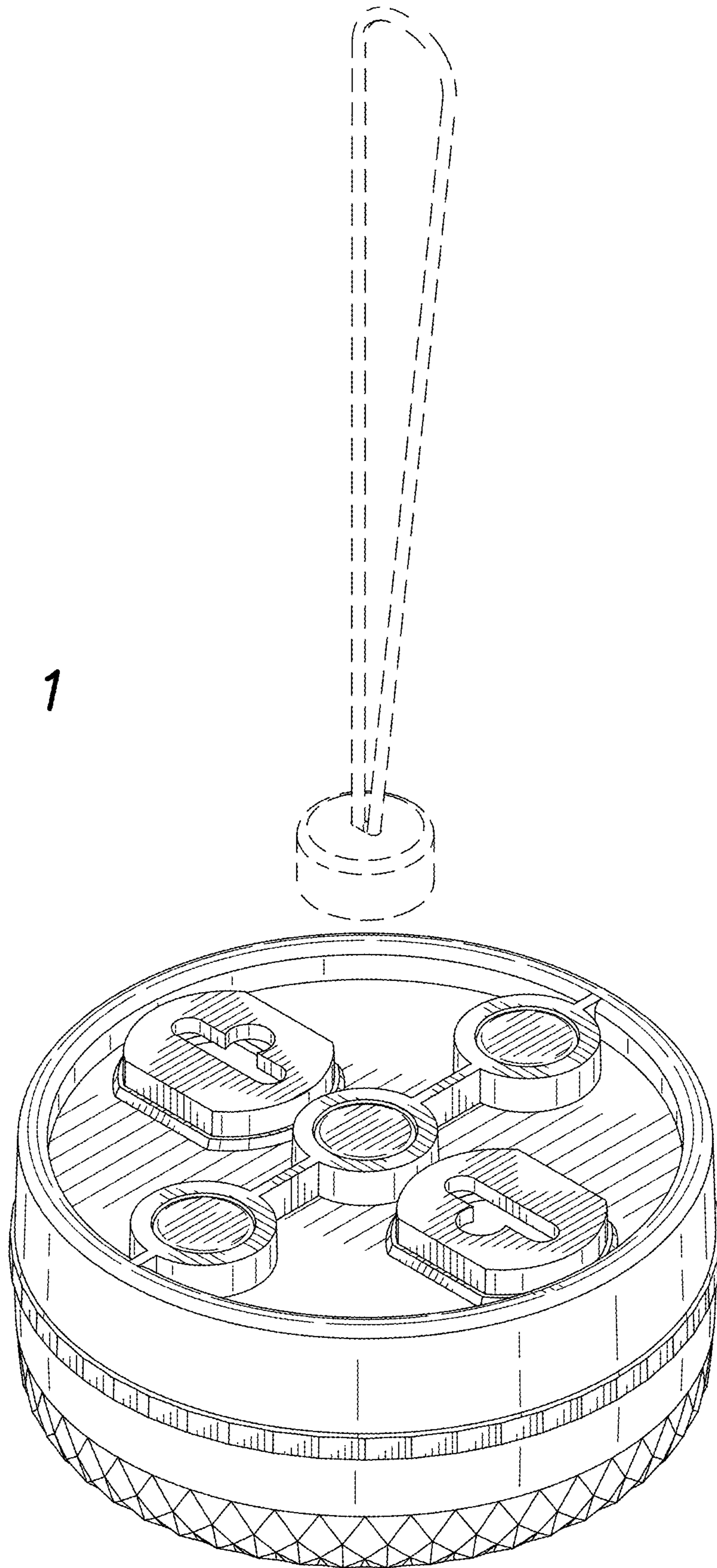


FIG. 1



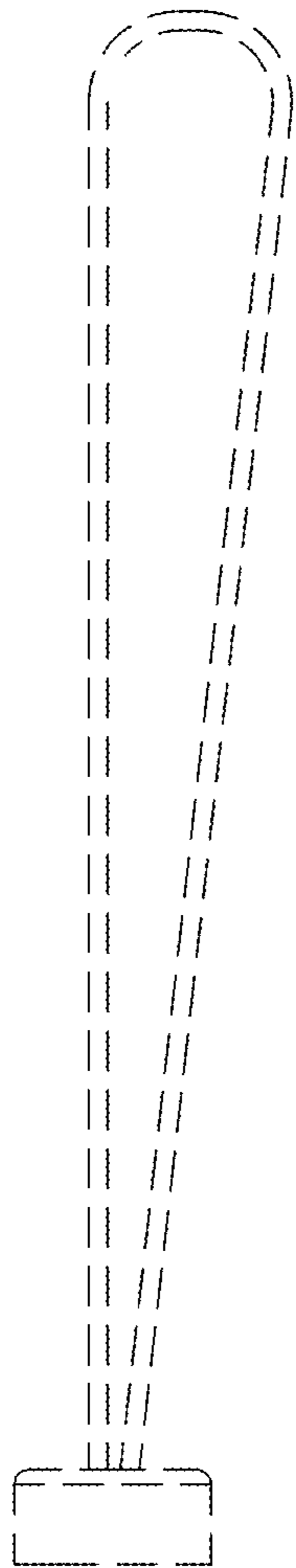
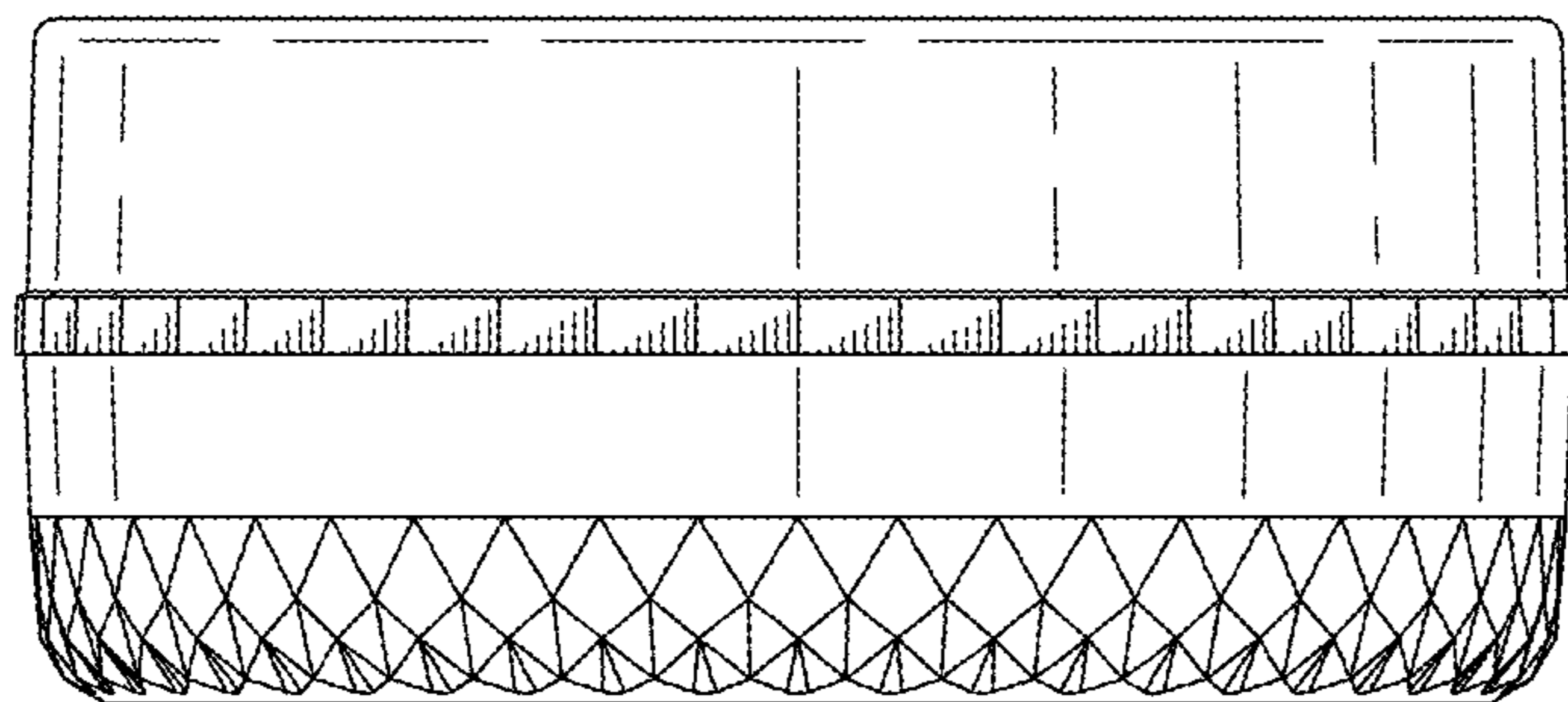


FIG. 2



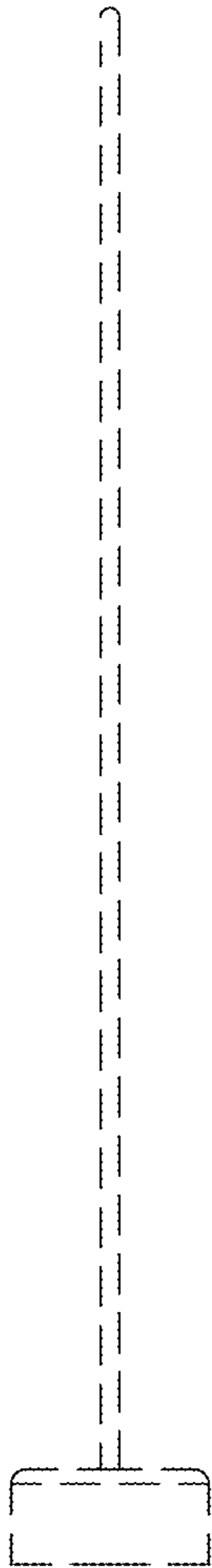
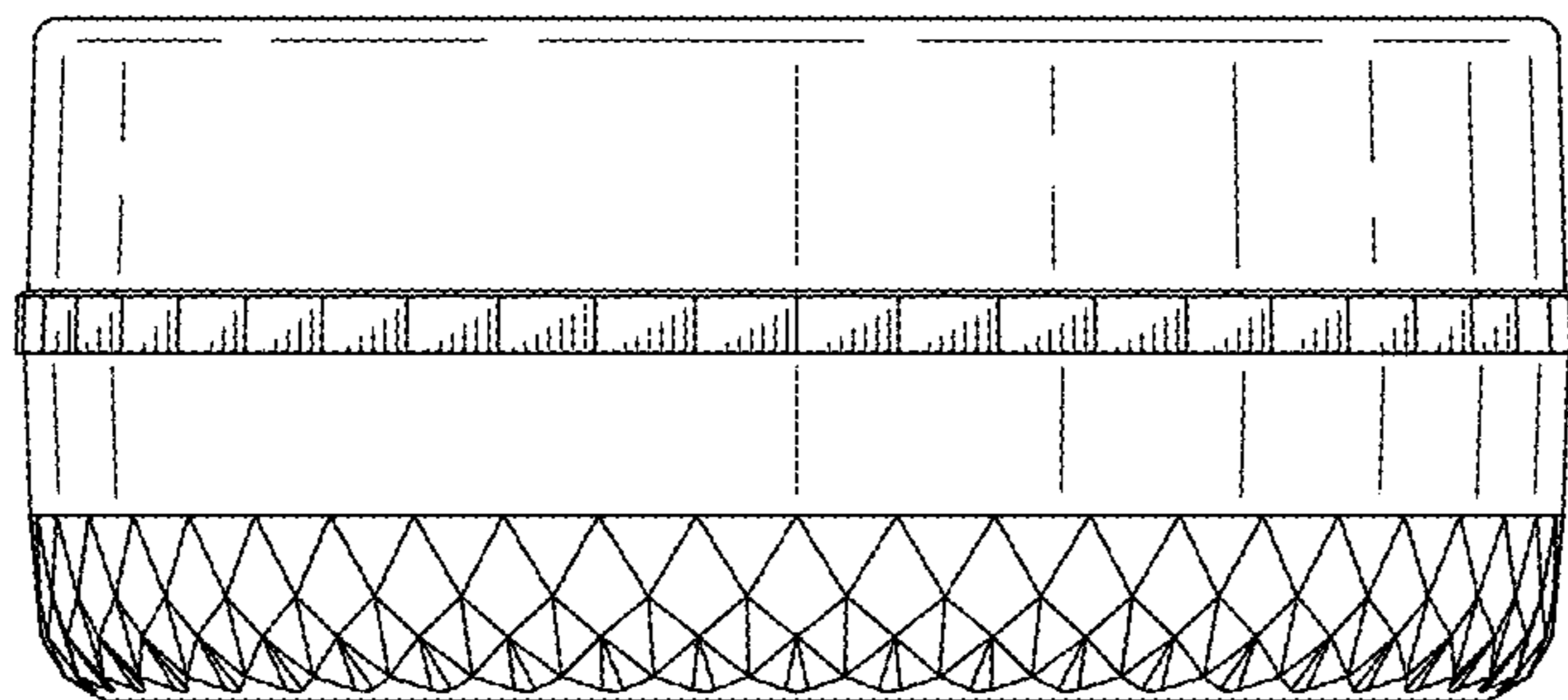


FIG. 3



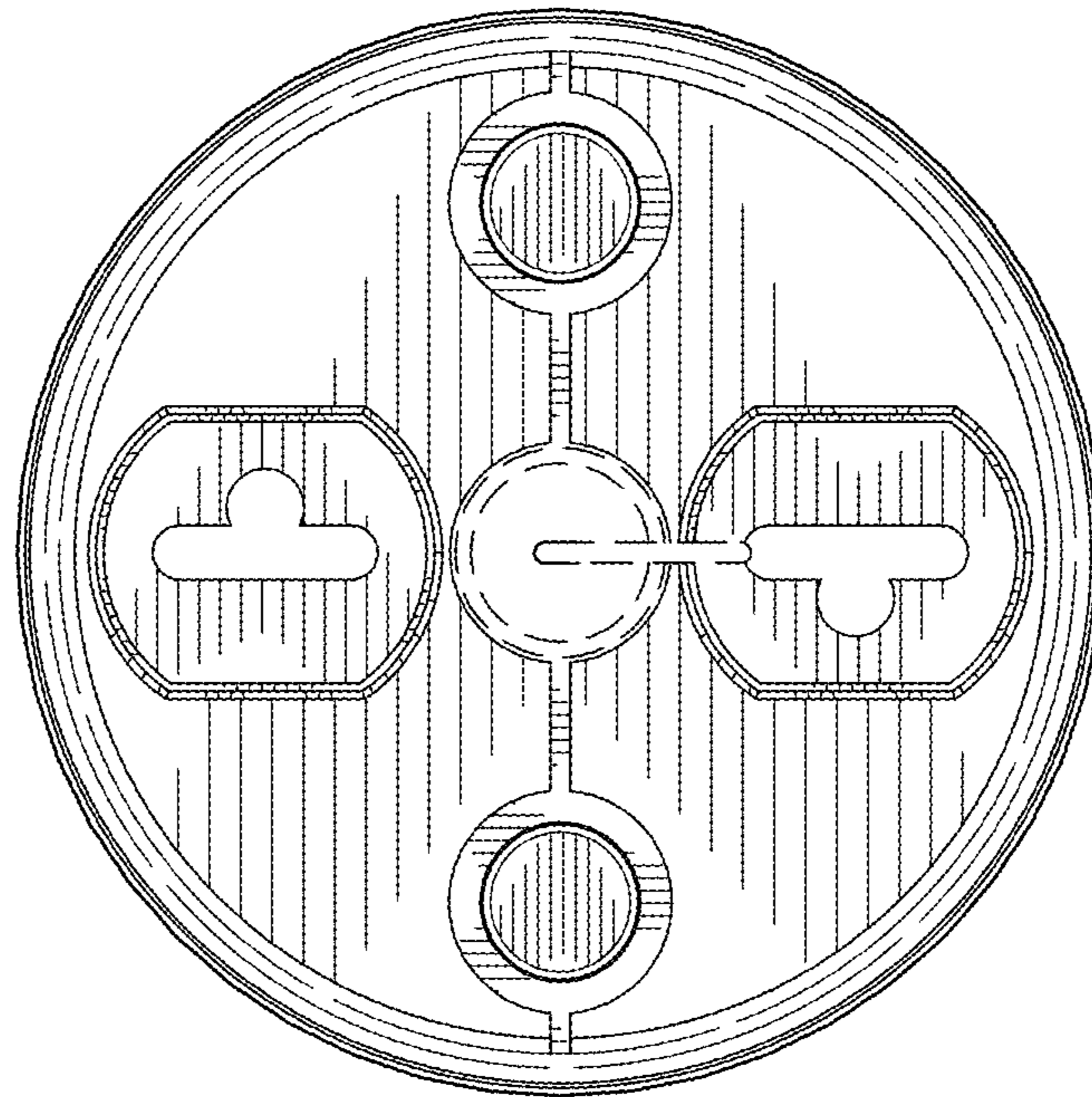


FIG. 4

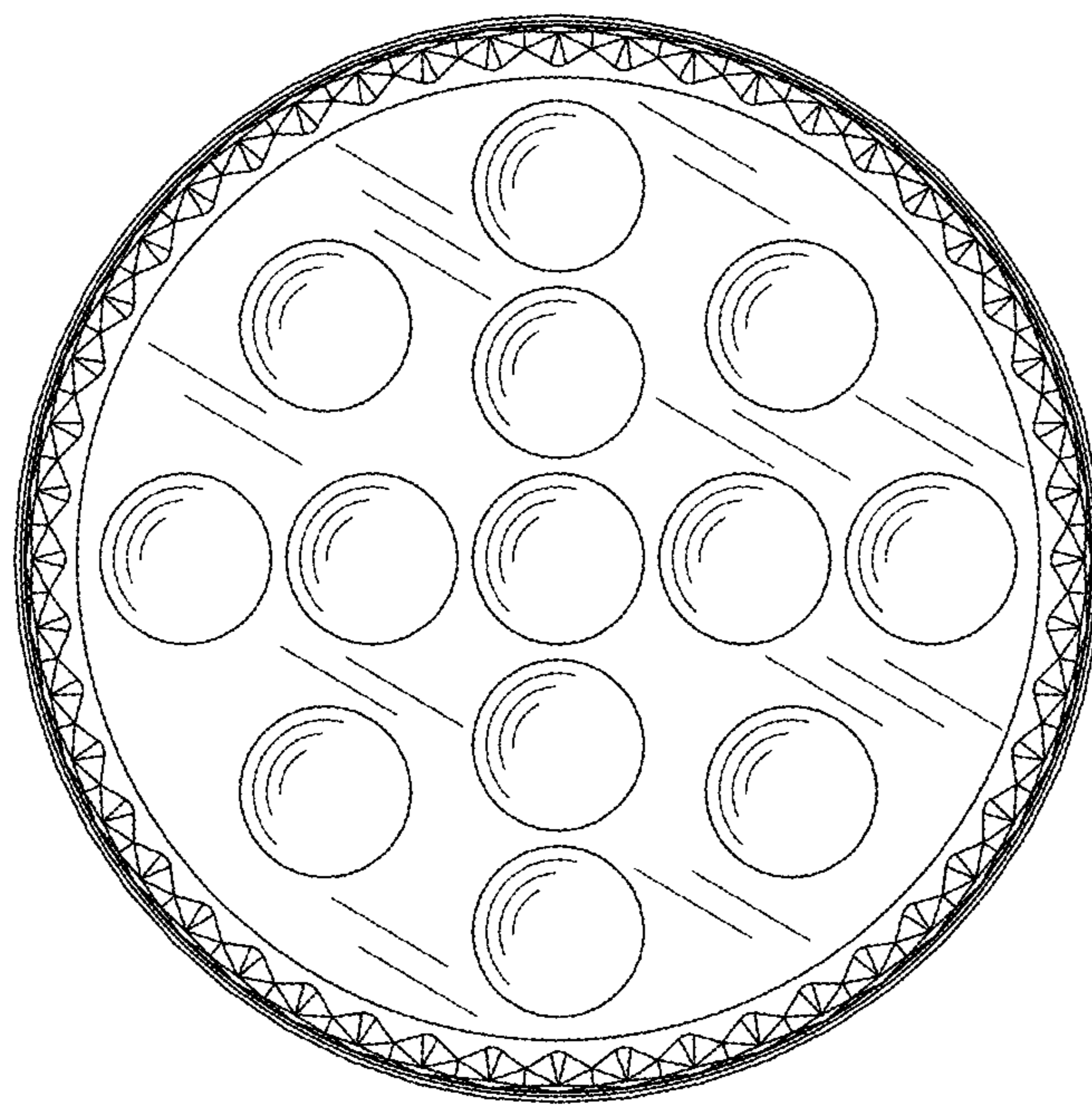


FIG. 5

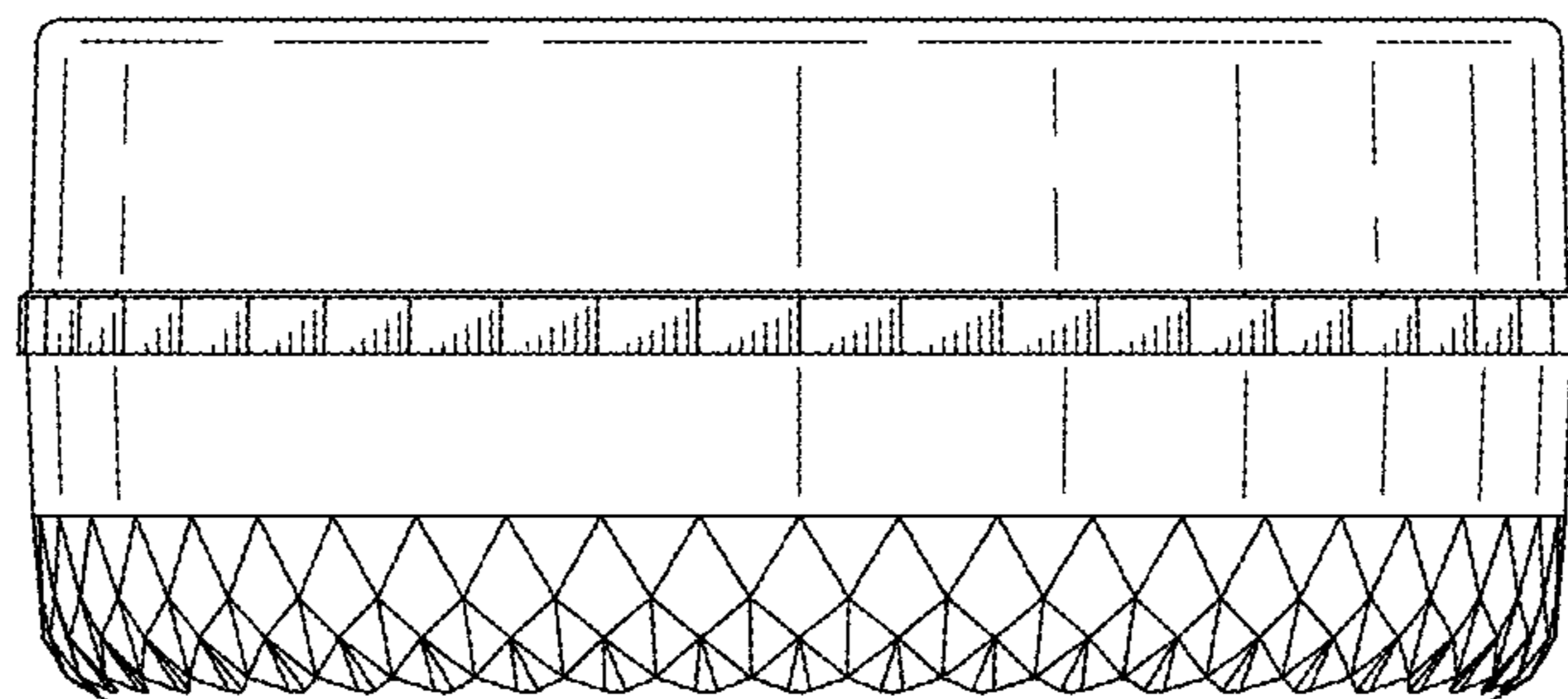
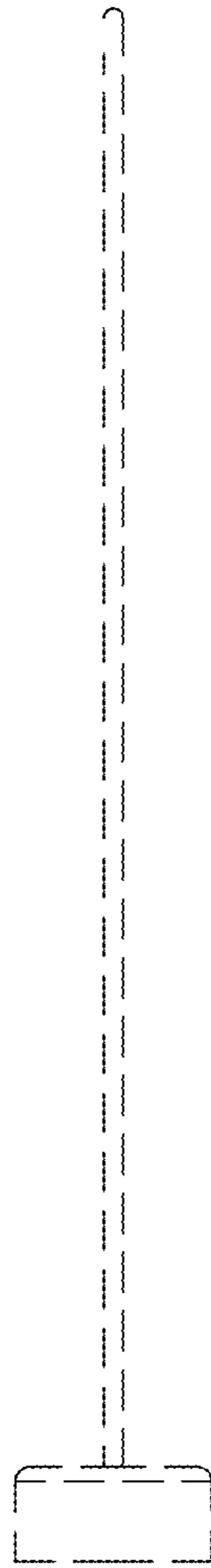


FIG. 6

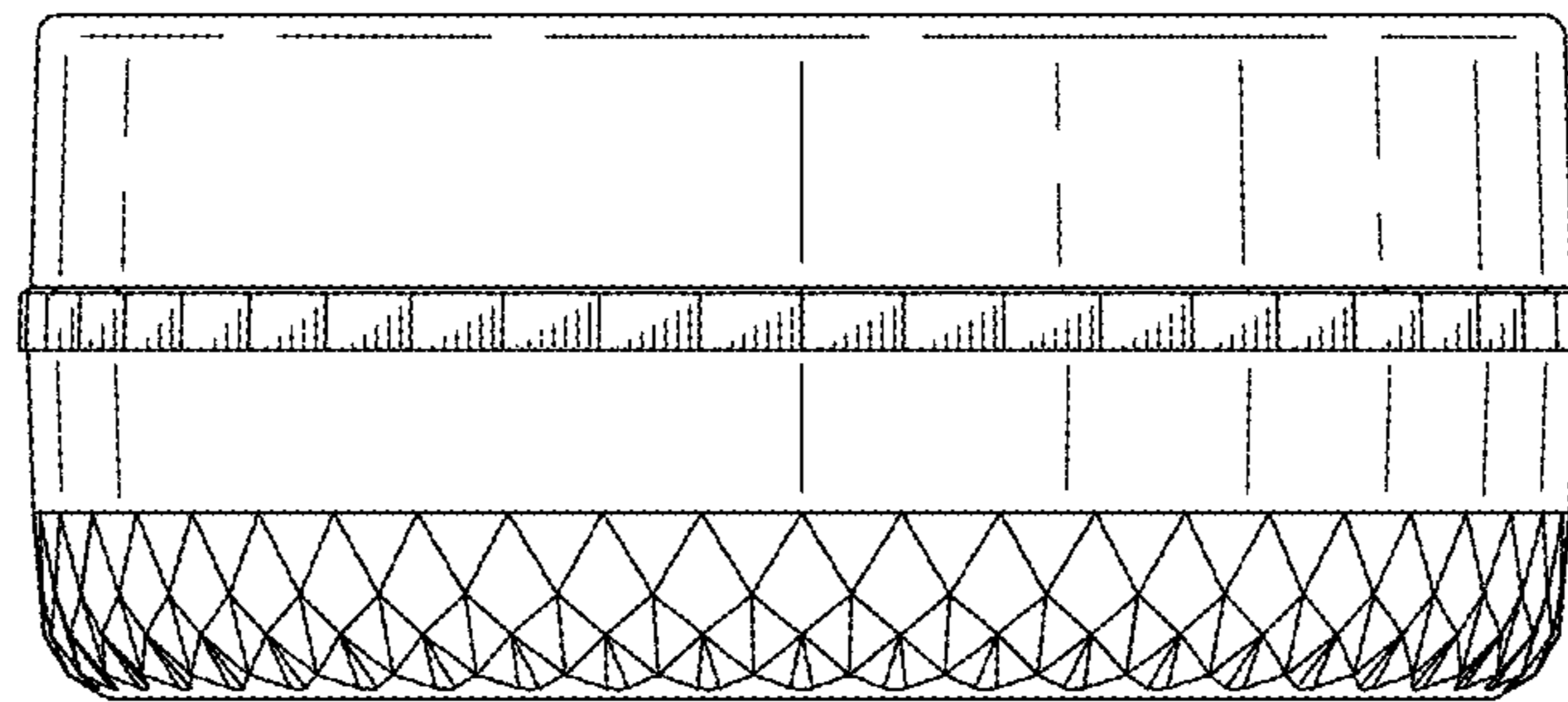
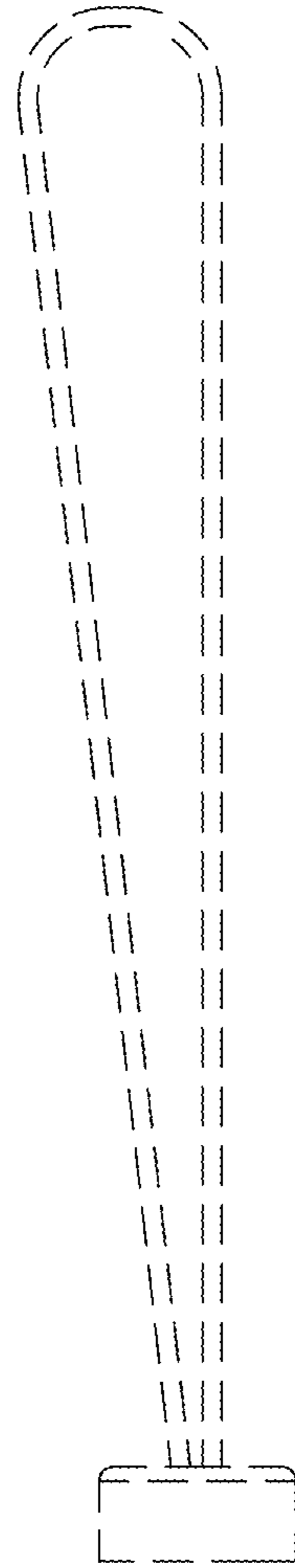


FIG. 7

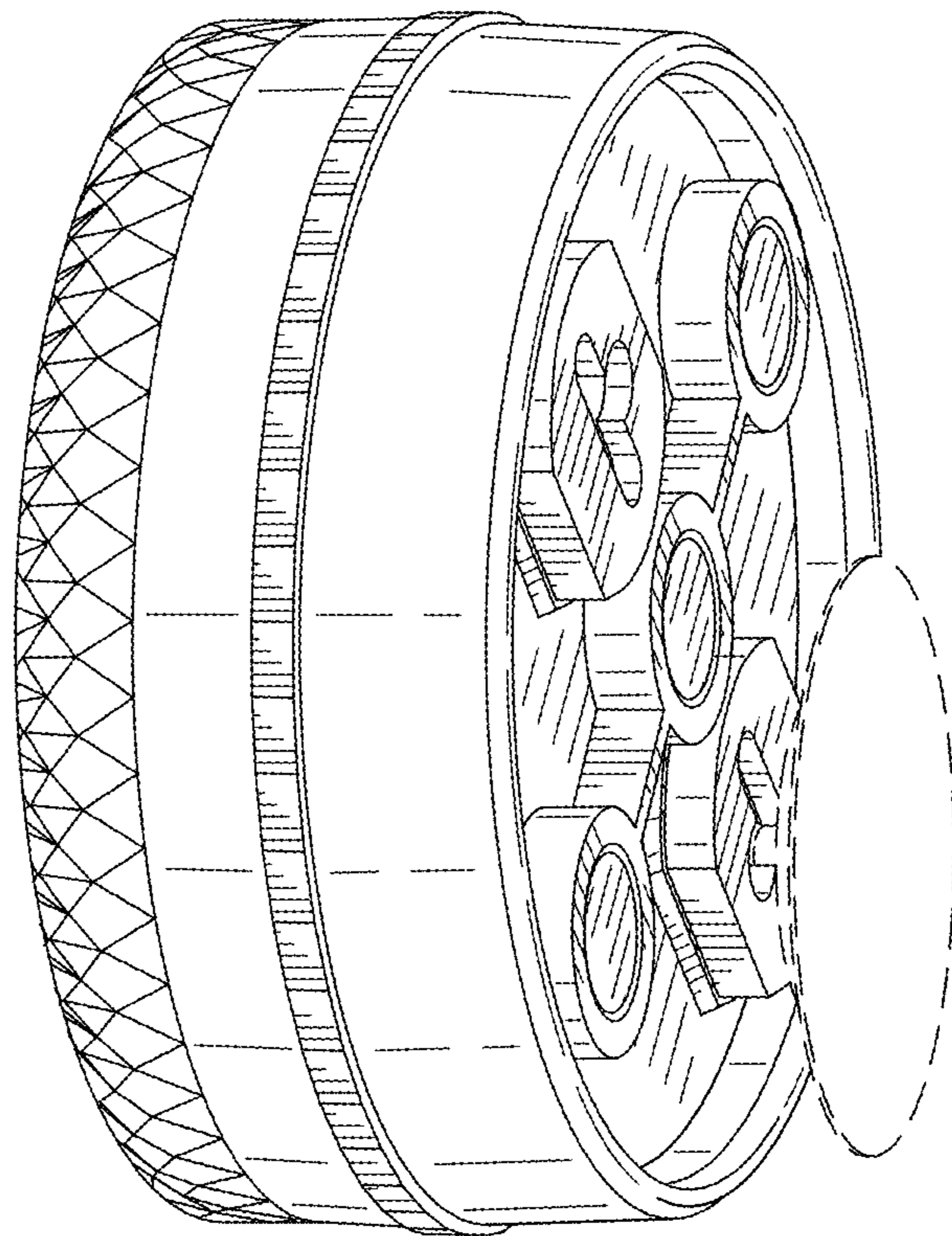
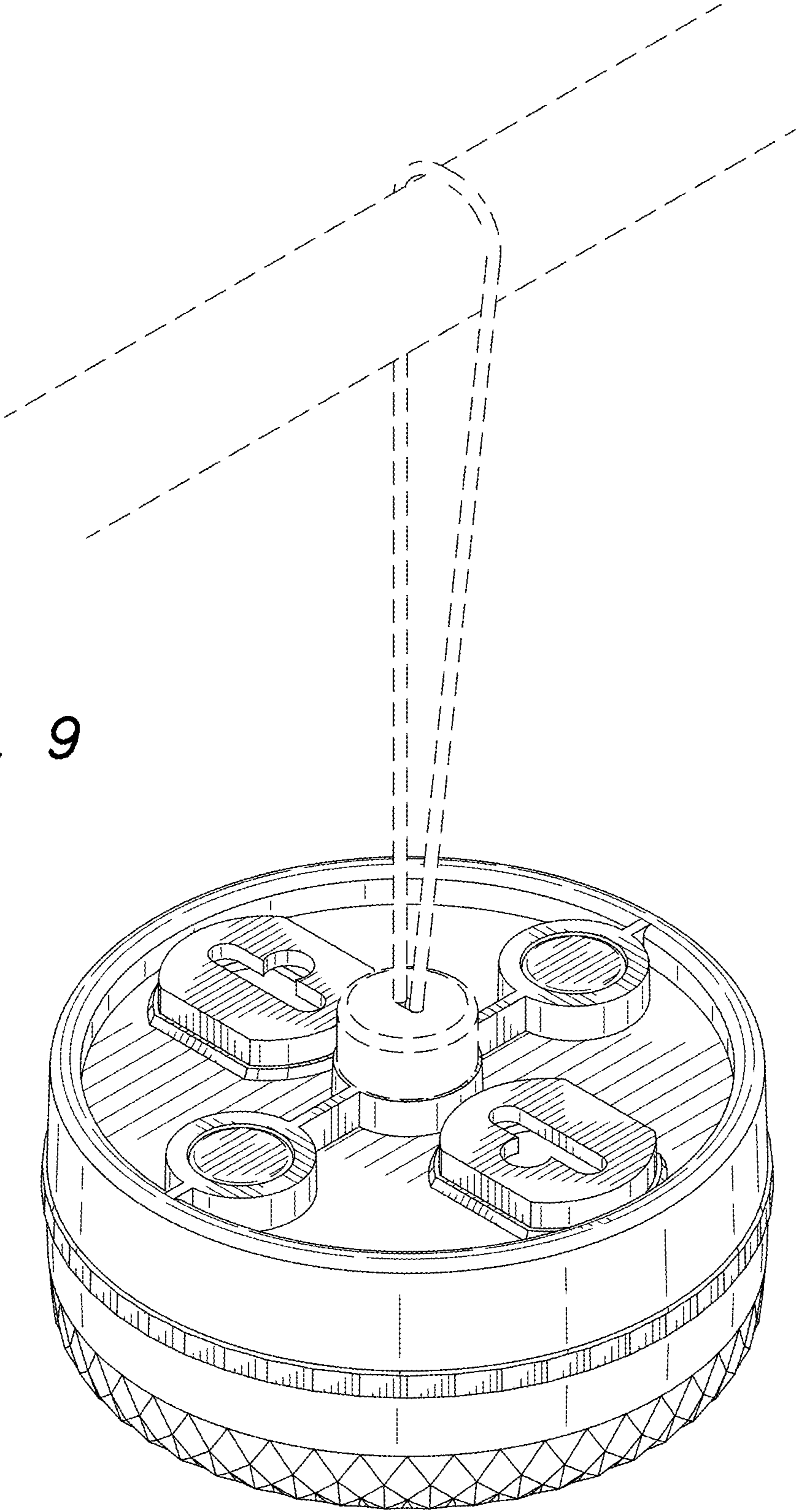


FIG. 8

FIG. 9



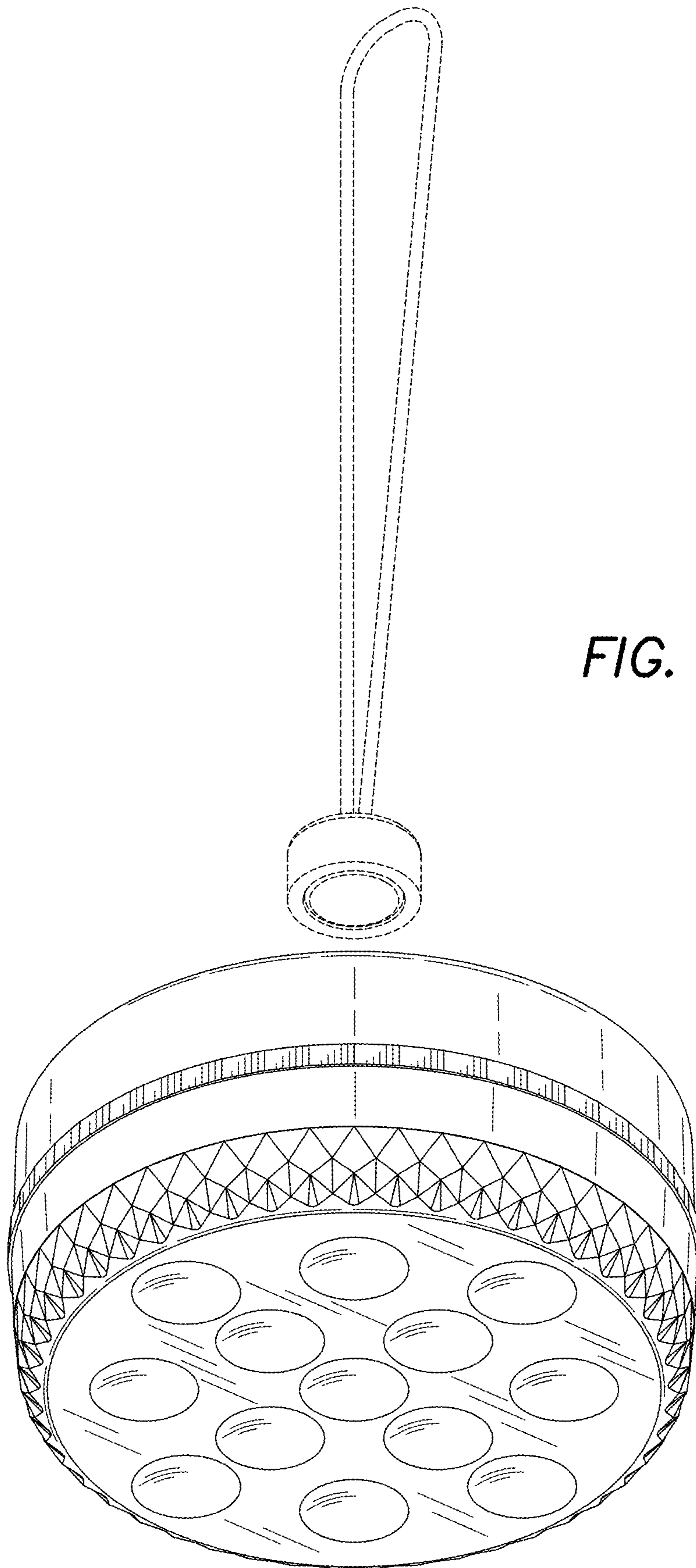


FIG. 10