



US00D915638S

(12) **United States Design Patent**
Reap

(10) **Patent No.:** **US D915,638 S**

(45) **Date of Patent:** **** Apr. 6, 2021**

(54) **RIB CAP FOR STANDING SEAM METAL ROOF**

(71) Applicant: **Robert Reap**, Richmond, VT (US)

(72) Inventor: **Robert Reap**, Richmond, VT (US)

(**) Term: **15 Years**

(21) Appl. No.: **29/647,036**

(22) Filed: **May 9, 2018**

(51) **LOC (13) Cl.** **25-99**

(52) **U.S. Cl.**
USPC **D25/199**

(58) **Field of Classification Search**
USPC D25/126, 133, 135, 138, 139, 141,
D25/152-156, 199
CPC .. E04D 1/00; E04D 1/30; E04D 13/15; E04D
13/152; E04D 13/158; E04D 13/1585;
E04D 13/174; E04D 13/176; E04D
13/178; E04D 2001/301; E04D 2001/302;
E04D 2001/304; E04D 2001/305; F24F
7/00; F24F 7/02
See application file for complete search history.

(56) **References Cited**

U.S. PATENT DOCUMENTS

3,022,033	A *	2/1962	Flower	F16G 11/00
					D25/199
6,039,646	A *	3/2000	Sells	F24F 7/02
					454/365
6,183,360	B1 *	2/2001	Luter, II	F24F 7/02
					454/366
D452,335	S *	12/2001	Brown	D25/199
D507,352	S *	7/2005	Vanderbrugghen	D25/126

D583,071	S *	12/2008	Hull	D25/124
D586,927	S *	2/2009	Hockemeyer	D25/126
D718,101	S *	11/2014	Mason	D8/354
D757,924	S *	5/2016	Briggs	D23/386
2013/0174496	A1 *	7/2013	Lanza	E04D 1/30
					52/58
2014/0248834	A1 *	9/2014	Kolt	F24F 7/02
					454/366
2017/0191683	A1 *	7/2017	Seemann	F24F 7/02
2017/0370610	A1 *	12/2017	Parry	F24F 7/02

* cited by examiner

Primary Examiner — Llorelys Martinez

(74) *Attorney, Agent, or Firm* — John W. O'Donnell, Esq.

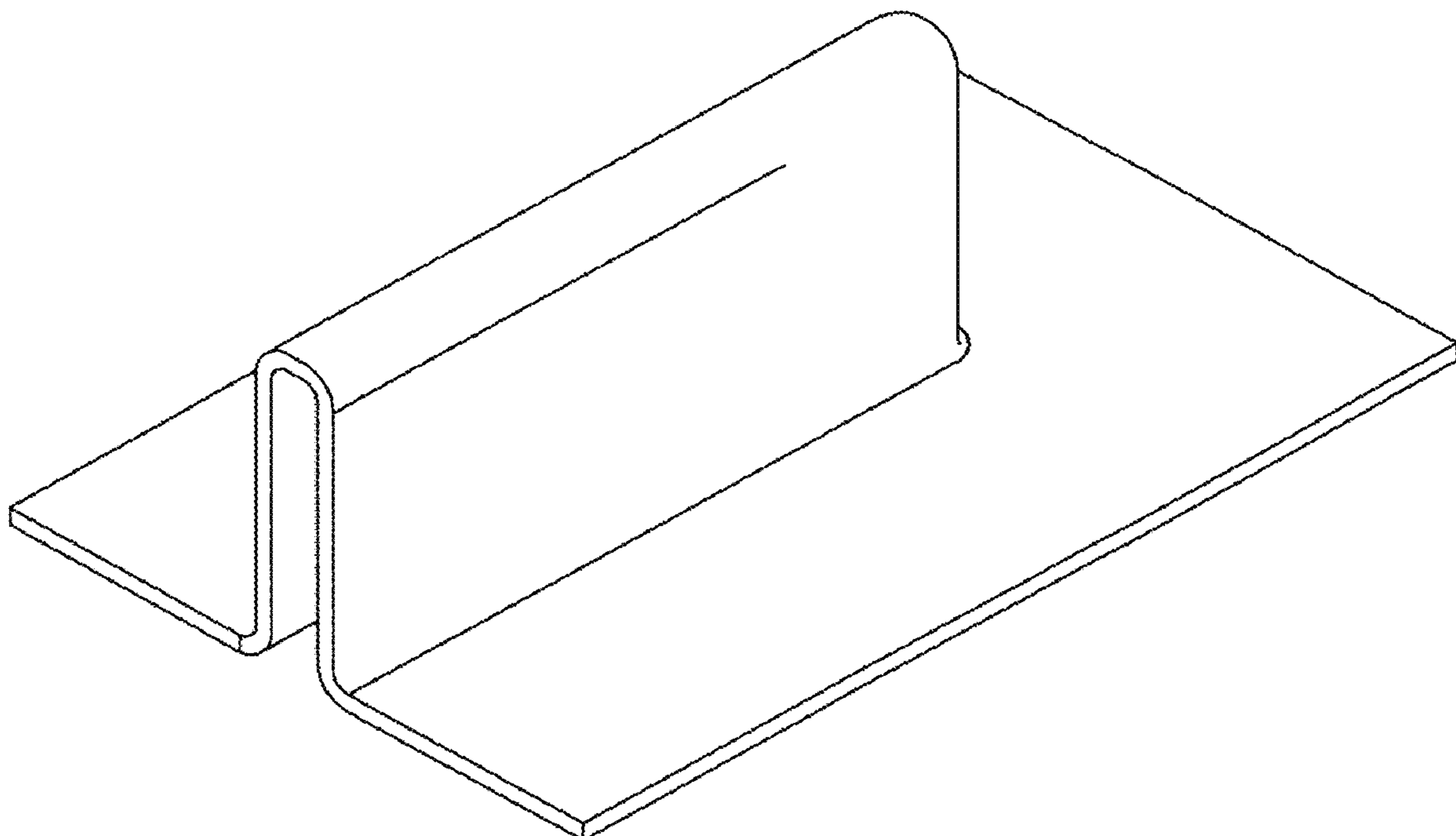
(57) **CLAIM**

The ornamental design for a rib cap for standing seam metal roof, as shown.

DESCRIPTION

FIG. 1 is a top plan view of a rib cap for standing seam metal roof showing my new design;
FIG. 2 is a bottom plan view thereof;
FIG. 3 is a right side elevation view thereof;
FIG. 4 is a left side elevation view thereof;
FIG. 5 is a front elevation view thereof;
FIG. 6 is a rear elevation view thereof;
FIG. 7 is a top, front, and right side perspective view thereof;
FIG. 8 is a bottom, front and left side perspective view thereof; and,
FIG. 9 is a top, rear, and right side perspective view thereof.

1 Claim, 9 Drawing Sheets



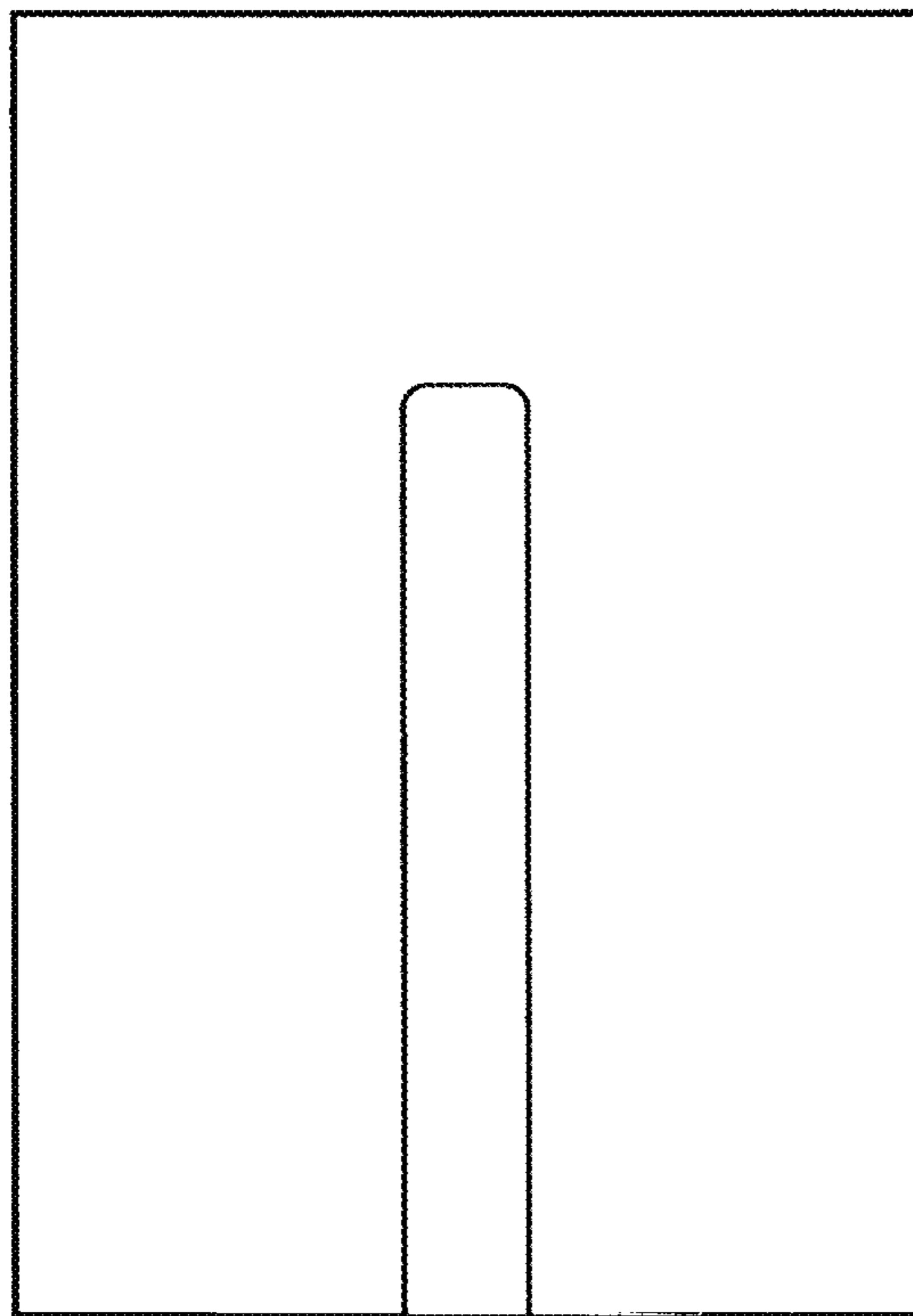


FIG. 1

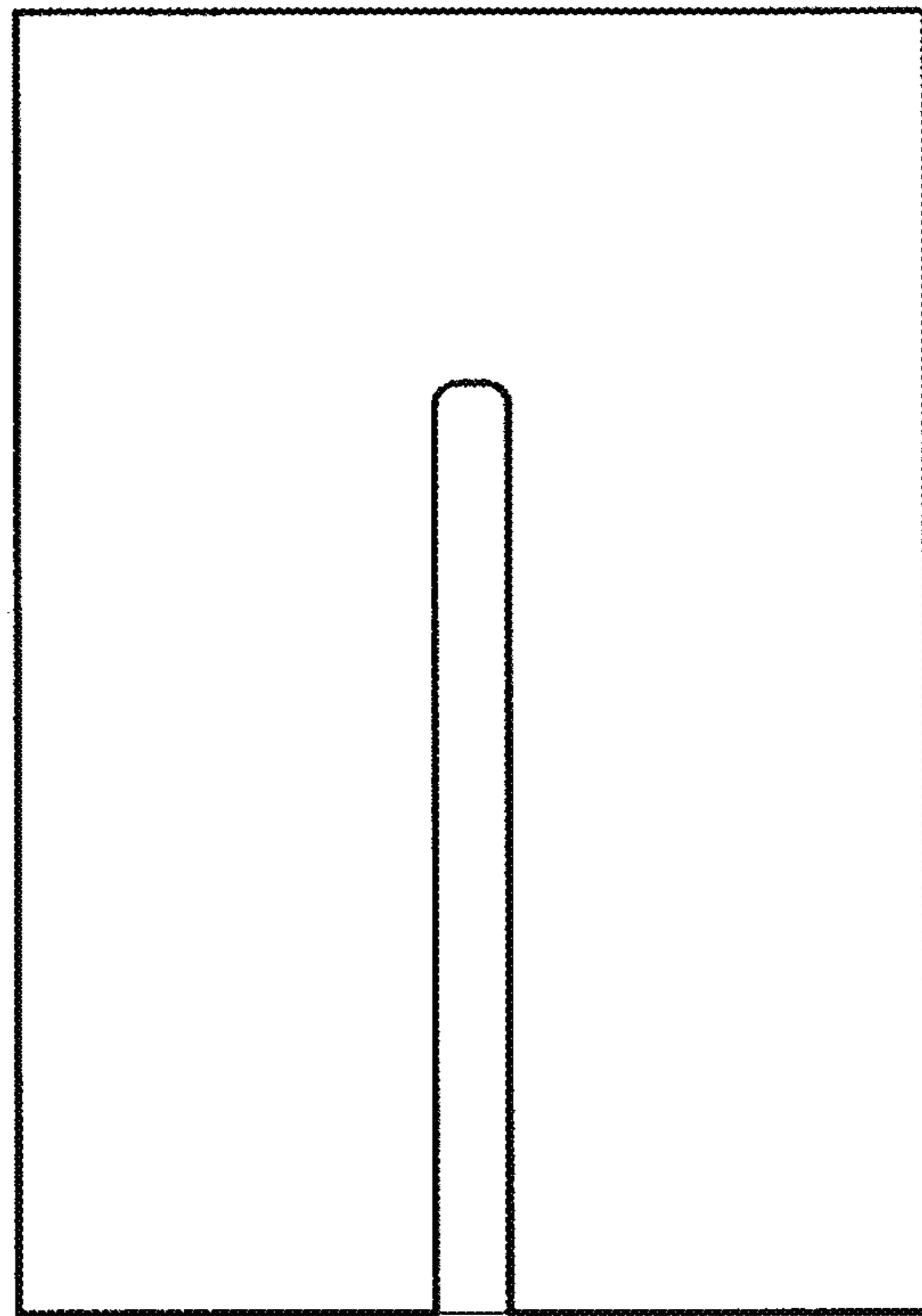


FIG. 2



FIG. 3

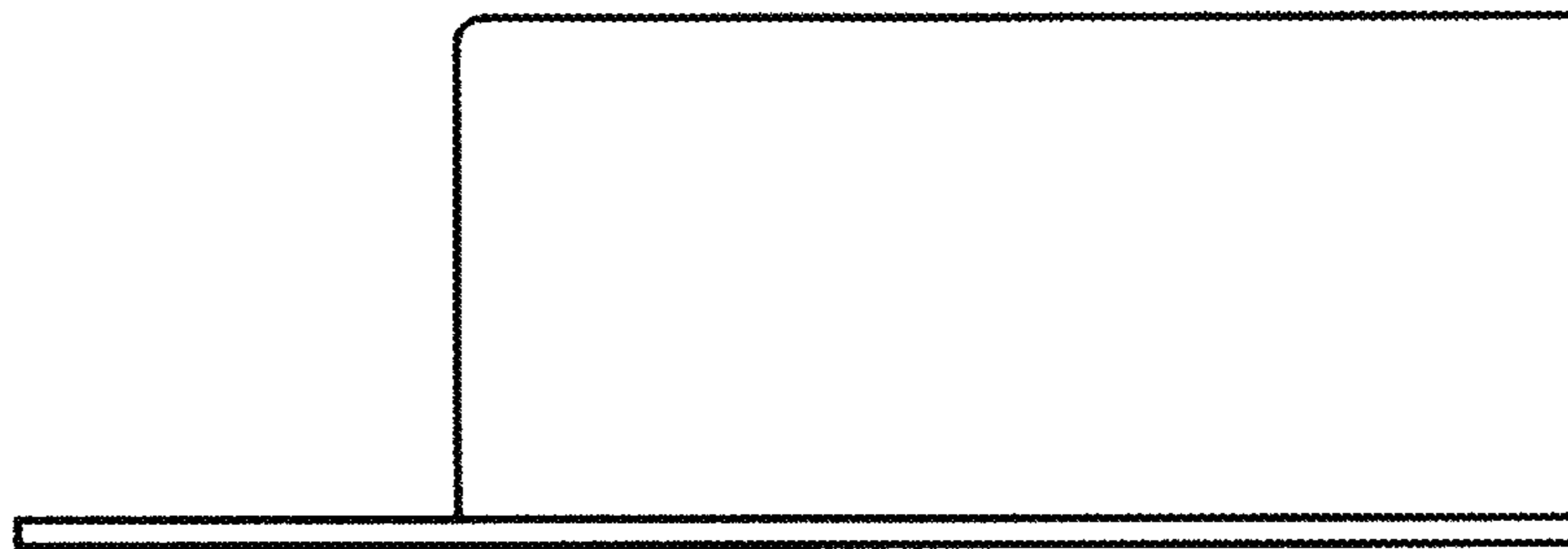


FIG. 4

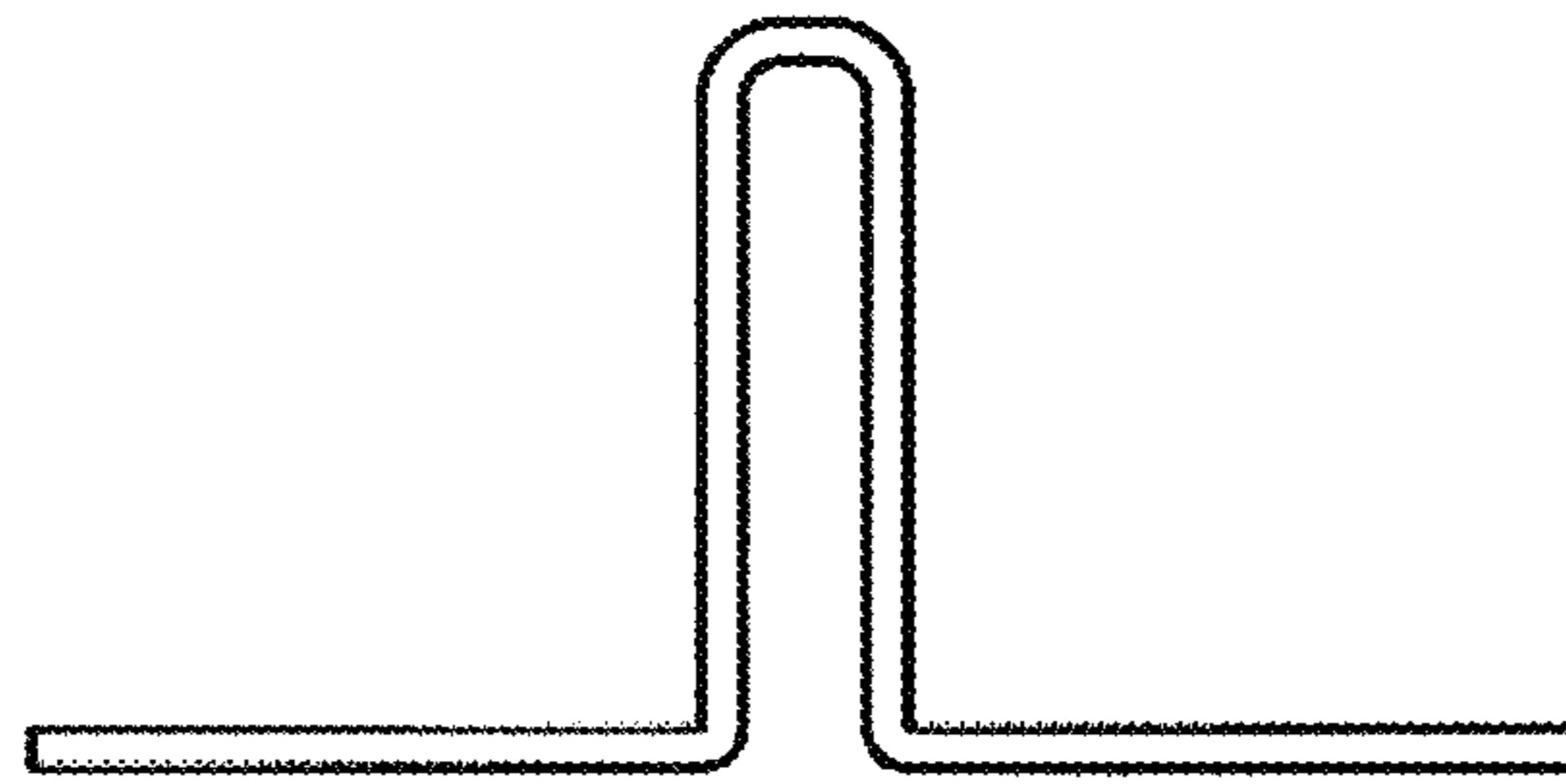


FIG. 5

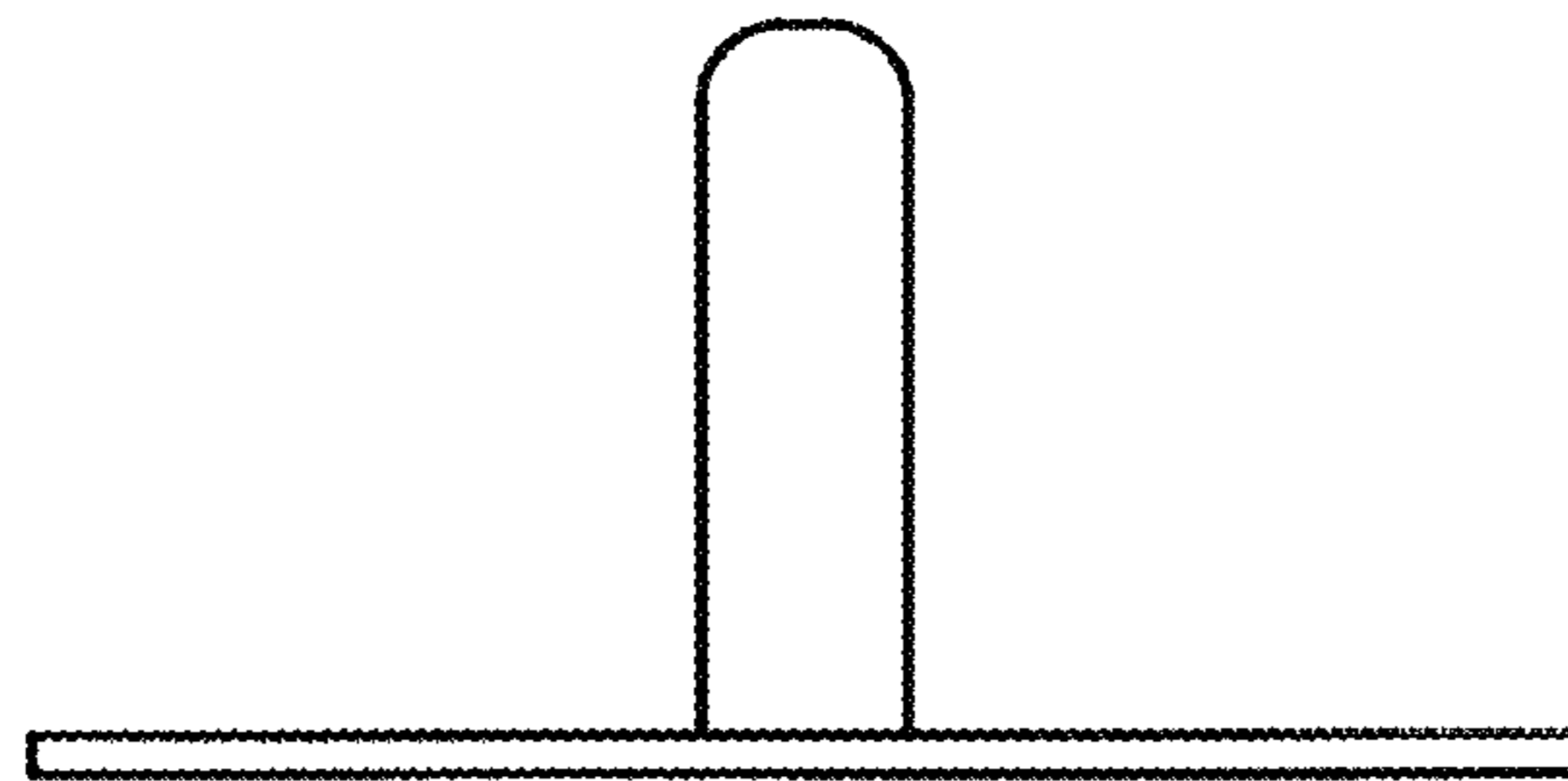


FIG. 6

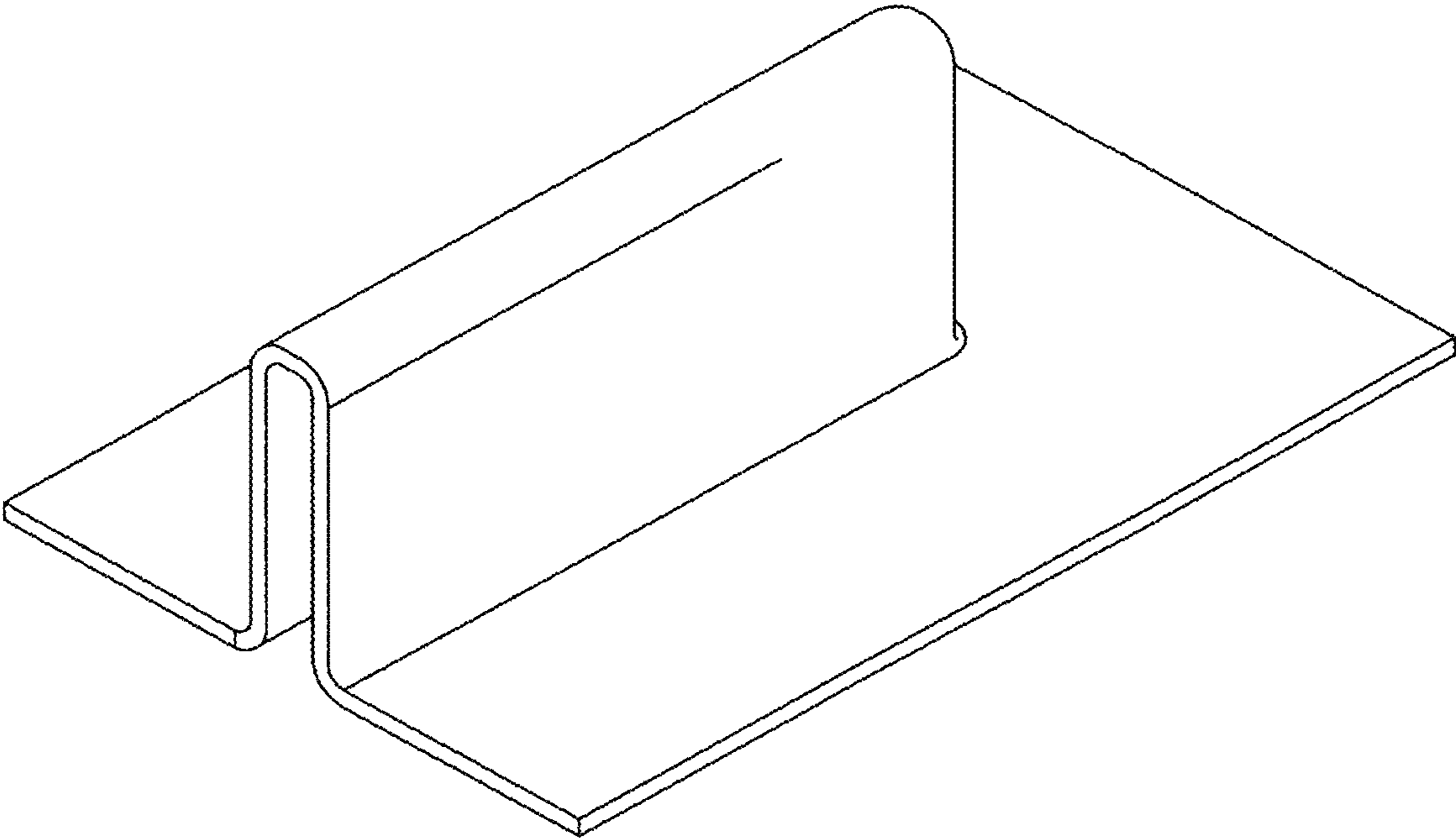


FIG. 7

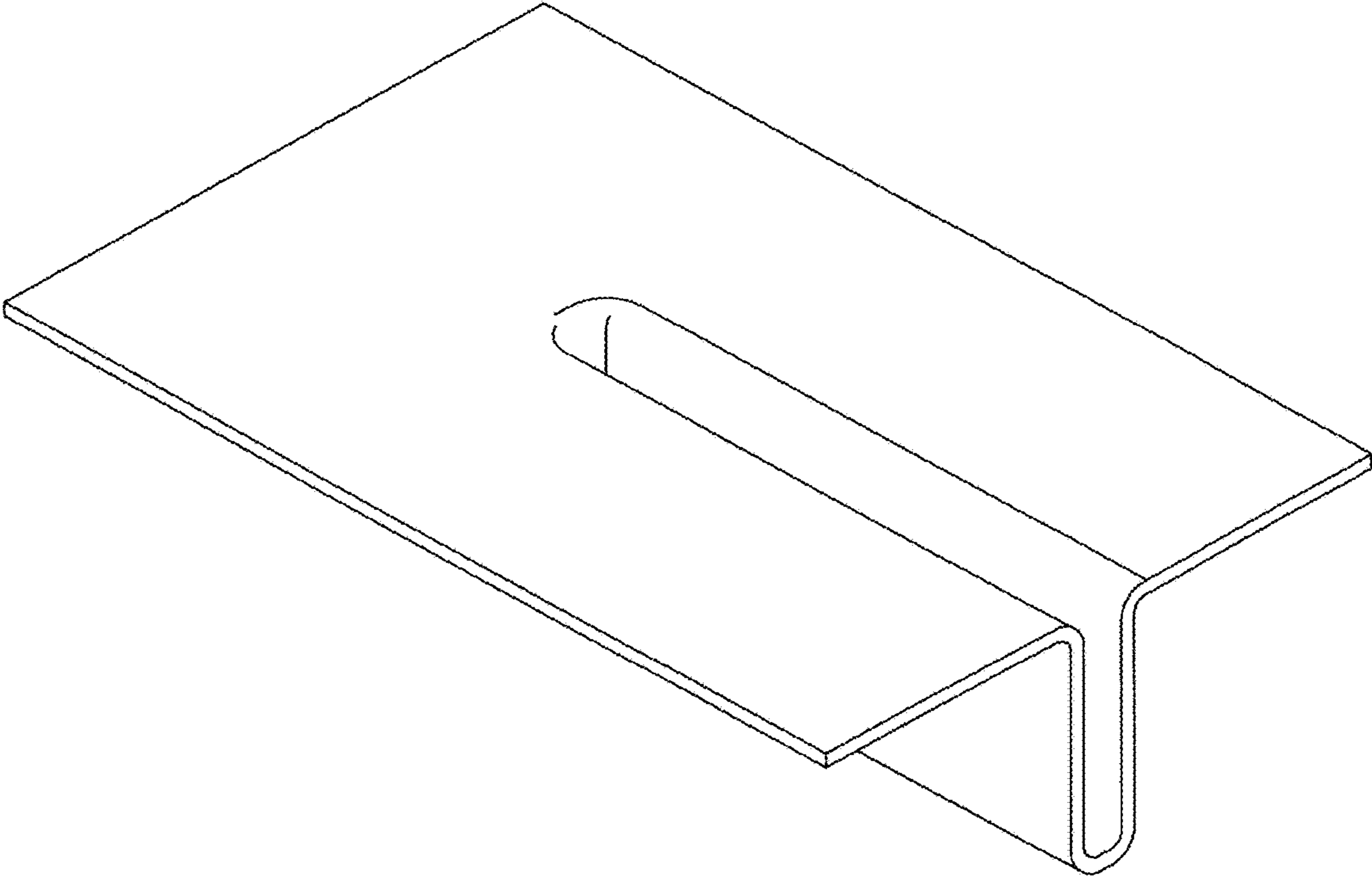


FIG. 8

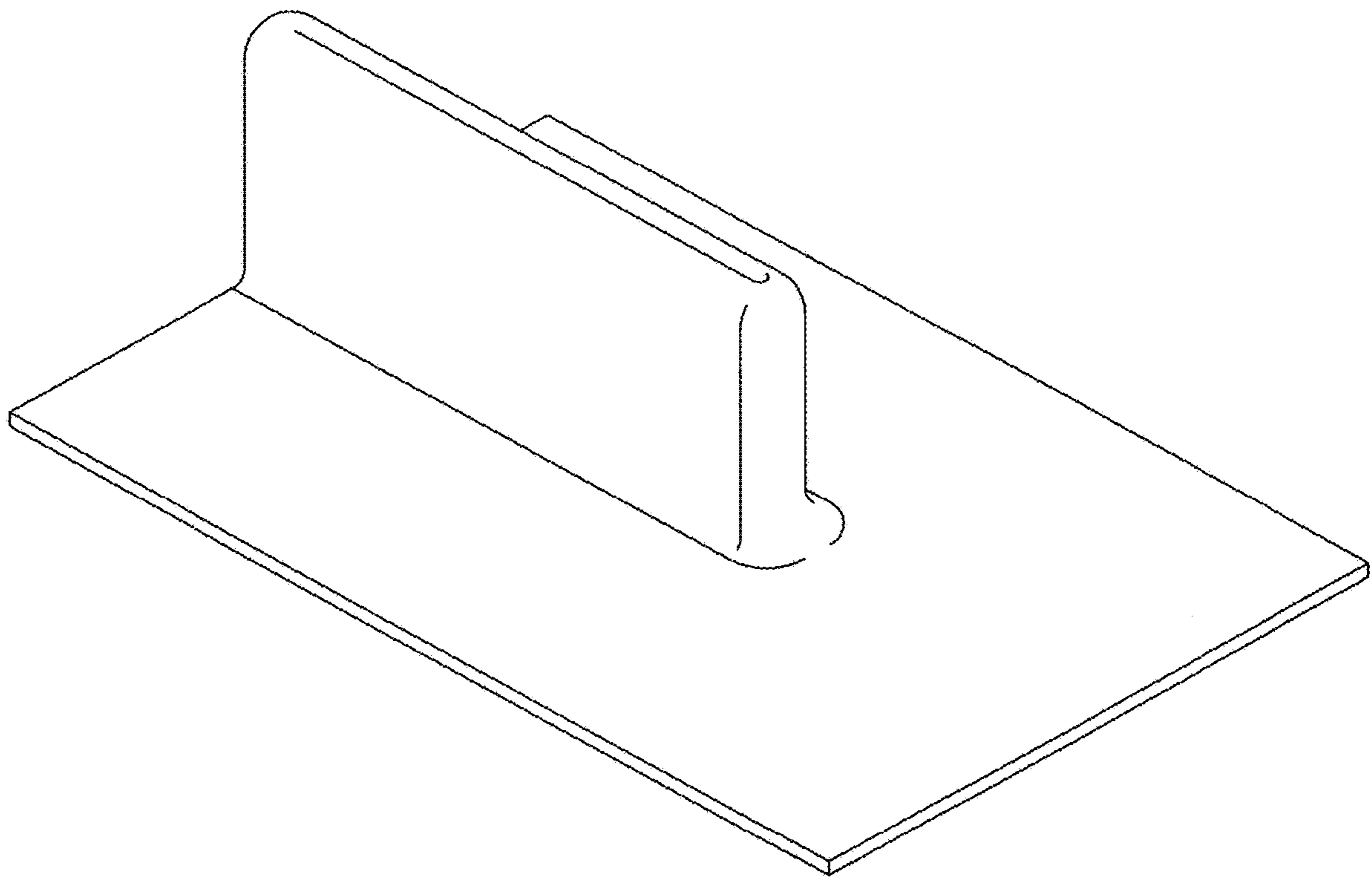


FIG. 9