



US00D915631S

(12) **United States Design Patent** (10) **Patent No.:** **US D915,631 S**  
**Patterson** (45) **Date of Patent:** **\*\* \*Apr. 6, 2021**

(54) **BAFFLE WITH CLOSED ENDS**

- (71) Applicant: **3FORM, LLC**, Salt Lake City, UT (US)
- (72) Inventor: **Caleb Patterson**, Seattle, WA (US)
- (73) Assignee: **3FORM, LLC**, Salt Lake City, UT (US)
- (\* ) Notice: This patent is subject to a terminal disclaimer.
- (\*\*) Term: **15 Years**
- (21) Appl. No.: **29/660,961**
- (22) Filed: **Aug. 23, 2018**

**Related U.S. Application Data**

- (63) Continuation-in-part of application No. 15/902,731, filed on Feb. 22, 2018, which is a continuation-in-part (Continued)
- (51) **LOC (13) Cl.** ..... **25-01**
- (52) **U.S. Cl.**  
USPC ..... **D25/138; D26/72**
- (58) **Field of Classification Search**  
USPC ..... D9/432; D25/118, 136, 138, 144, 148, D25/152, 156-162, 164, 199; D26/72, D26/76, 88-90, 118  
(Continued)

(56) **References Cited**

**U.S. PATENT DOCUMENTS**

- D97,213 S 11/1869 Stone
  - D101,033 S 3/1870 Glatthar et al.
- (Continued)

**FOREIGN PATENT DOCUMENTS**

- DE 2349401 9/1973
  - DE 102008026504 3/2009
- (Continued)

**OTHER PUBLICATIONS**

Highly Effective Acoustic Baffles (available online) Retrieved from the internet Aug. 3, 2020 from URL: [www.soundsorba.com/acoustic-products/sound-absorption/bafflesorba/](http://www.soundsorba.com/acoustic-products/sound-absorption/bafflesorba/).\*

(Continued)

*Primary Examiner* — Kevin K Rudzinski  
*Assistant Examiner* — Richard Kearney  
 (74) *Attorney, Agent, or Firm* — Workman Nydegger

(57) **CLAIM**

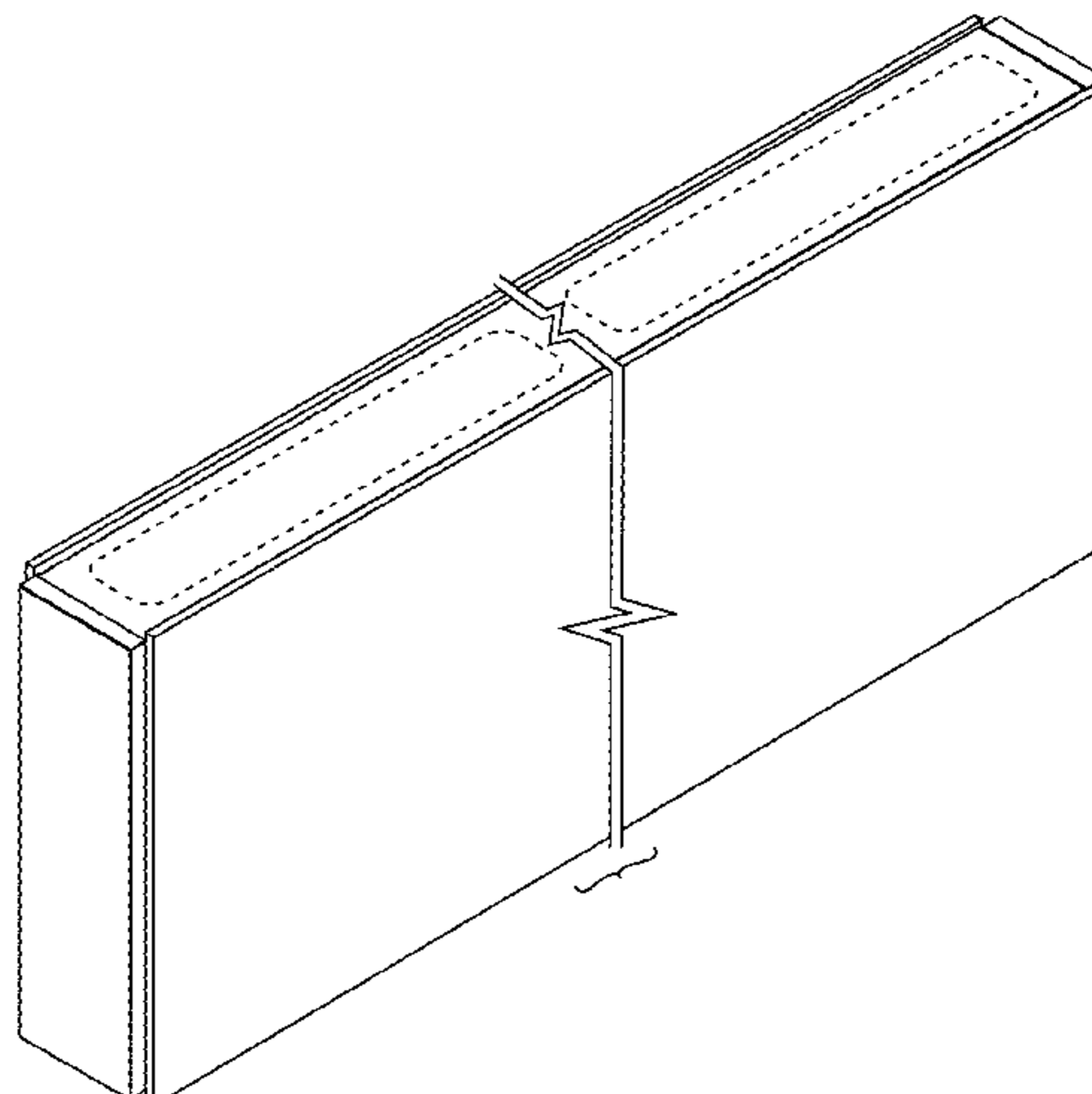
The ornamental design for a baffle with closed ends, as shown and described.

**DESCRIPTION**

FIG. 1 is a top left front perspective view of a baffle with closed ends including my design;  
 FIG. 2 is a front elevation view thereof;  
 FIG. 3 is a rear elevation view thereof;  
 FIG. 4 is a left elevation view thereof;  
 FIG. 5 is a right elevation view thereof;  
 FIG. 6 is a top plan view thereof;  
 FIG. 7 is a bottom plan view thereof;  
 FIG. 8 is a top left front prospective view of an alternative embodiment of the baffle with closed ends in which portions are wrapped in felted polyethylene terephthalate (PET);  
 FIG. 9 is a front elevation view thereof;  
 FIG. 10 is a rear elevation view thereof;  
 FIG. 11 is a left elevation view thereof;  
 FIG. 12 is a right elevation view thereof;  
 FIG. 13 is a top plan view thereof; and,  
 FIG. 14 is a bottom plan view thereof.

Portions of the claims design are shown separated and bound by a bracket to indicate indeterminate length.  
 The baffle with closed ends is shown with a symbolic break in its length. The appearance of any portion of the article between the break lines form no part of the claimed design.

**1 Claim, 6 Drawing Sheets**



**Related U.S. Application Data**

of application No. 29/560,681, filed on Apr. 8, 2016, now Pat. No. Des. 819,860, which is a continuation-in-part of application No. 14/912,396, filed on Feb. 16, 2016, now Pat. No. 10,072,827, and a continuation-in-part of application No. 14/767,890, filed on Aug. 13, 2015.

(58) **Field of Classification Search**

CPC ..... E04B 9/30; E04B 9/34; E04B 9/36; E04B 9/001; E04B 9/363; E04B 1/84; E04B 1/86; E04B 1/8404; F21S 8/06; F21S 8/061; F21S 8/063

See application file for complete search history.

(56) **References Cited**

U.S. PATENT DOCUMENTS

D101,034 S 3/1870 Glatthar et al.  
 D136,518 S 3/1873 Hofstetter  
 D166,671 S 8/1875 Jernigan  
 1,335,613 A 3/1920 Cuno  
 1,963,218 A 6/1934 Wakefield  
 D123,049 S 10/1940 Doane  
 2,506,728 A 5/1950 McGrath  
 2,525,556 A 10/1950 Viarchisio  
 2,715,449 A 8/1955 Lemmerman et al.  
 2,759,093 A 8/1956 Ferar et al.  
 2,951,001 A 8/1960 Rubenstein  
 3,367,581 A 2/1968 Kizilos et al.  
 3,385,963 A 5/1968 Washick  
 3,420,023 A 1/1969 Gregori  
 D232,257 S \* 7/1974 Paulson ..... D26/80  
 D239,780 S \* 5/1976 Paulson ..... D26/102  
 3,967,823 A 7/1976 Yount  
 D264,136 S 4/1982 Castiglioni  
 4,437,287 A 3/1984 Halfaker  
 4,555,114 A 11/1985 Dozier  
 4,716,671 A 1/1988 Gross  
 4,726,781 A 2/1988 Bernhart  
 4,738,066 A \* 4/1988 Reed ..... E04B 9/34  
 52/506.07  
 4,799,526 A 1/1989 Reeves  
 5,226,724 A 7/1993 Kanarek  
 D338,620 S 8/1993 Brozowski  
 5,282,600 A 2/1994 Weiss  
 D361,398 S \* 8/1995 Neall, III ..... D26/109  
 5,532,073 A 7/1996 Hirata  
 5,532,912 A 7/1996 Bendit  
 5,658,066 A 8/1997 Hirsch  
 5,662,412 A 9/1997 Glendmyer  
 D387,459 S 12/1997 Cool  
 5,702,180 A 12/1997 Huang  
 D391,881 S 3/1998 Youseph  
 D392,119 S \* 3/1998 Montoya ..... D3/273  
 5,758,588 A 6/1998 Orfali  
 D409,869 S 5/1999 Marusak  
 5,947,786 A 9/1999 Glick  
 D416,103 S 11/1999 Hashmi  
 5,989,015 A 11/1999 Guerin  
 6,025,549 A 2/2000 Harris  
 D431,187 S 9/2000 Davis  
 D432,868 S 10/2000 Tan  
 D438,858 S 3/2001 del Castillo  
 6,302,566 B1 10/2001 Cohon  
 6,341,880 B1 1/2002 Hsu  
 6,367,581 B1 4/2002 Marler et al.  
 D468,474 S 1/2003 Poulton  
 6,530,674 B2 3/2003 Grierson  
 D482,140 S 11/2003 Hughes et al.  
 D508,580 S 8/2005 Norris et al.  
 6,964,507 B2 11/2005 Mohacsi  
 6,984,055 B2 1/2006 McCarthy  
 D514,364 S 2/2006 Hsu  
 D523,328 S 6/2006 Ramos

D523,771 S 6/2006 Kwan  
 D525,384 S 7/2006 Waycaster  
 D525,738 S 7/2006 Waycaster  
 D536,468 S 2/2007 Crosby  
 D541,970 S 5/2007 Blackman  
 D544,006 S 6/2007 Pinchot  
 D553,788 S 10/2007 Holmes  
 D559,994 S 1/2008 Nagakubo  
 D566,320 S 4/2008 Kim  
 D566,882 S 4/2008 Min  
 D570,026 S 5/2008 Waldmann  
 7,380,957 B2 6/2008 Lanczy  
 7,431,489 B2 10/2008 Yeo et al.  
 D584,446 S 1/2009 Sabernig  
 D584,848 S 1/2009 Menke  
 7,504,159 B1 3/2009 Suare  
 D591,444 S 4/2009 Beno et al.  
 D592,793 S 5/2009 Chandler  
 D595,887 S 7/2009 Blom  
 D595,888 S 7/2009 Sabernig  
 D595,891 S 7/2009 Sabernig  
 D596,452 S 7/2009 Komorski  
 D599,037 S \* 8/2009 Henriquez ..... D25/138  
 D599,945 S 9/2009 Pfund  
 D600,394 S 9/2009 Ambruster  
 D603,083 S 10/2009 Trumble  
 D605,333 S 12/2009 Miranda  
 D613,897 S 4/2010 Thun  
 D620,189 S 7/2010 Hill et al.  
 D621,989 S \* 8/2010 Proner ..... D26/76  
 7,766,536 B2 8/2010 Peifer  
 7,789,544 B1 9/2010 Roach et al.  
 D626,278 S 10/2010 Sabernig  
 D628,218 S 11/2010 Tommassini  
 D629,553 S 12/2010 Gielen  
 D629,554 S 12/2010 Gielen  
 D630,365 S 1/2011 Sabernig  
 D632,004 S 2/2011 Waldmann  
 D641,520 S 7/2011 Grajcar  
 7,971,680 B2 7/2011 Morgan, III et al.  
 D650,509 S 12/2011 Wegger  
 D653,794 S 2/2012 Friedman  
 D654,703 S 2/2012 Lemay  
 D656,629 S 3/2012 Hauberg  
 D657,487 S 4/2012 Sabemig  
 D664,282 S 7/2012 Santoro et al.  
 D665,525 S 8/2012 Patterson  
 D666,354 S 8/2012 Bracher  
 D666,757 S 9/2012 Fisher et al.  
 D667,986 S 9/2012 Decq  
 D668,371 S 10/2012 Alpasian  
 D669,759 S 10/2012 Catilleja  
 8,287,146 B2 10/2012 Hysky  
 D671,676 S 11/2012 Komarov  
 D676,587 S 2/2013 Fisher  
 D676,996 S 2/2013 Gismondi  
 D677,423 S 3/2013 Reddy  
 D684,294 S 6/2013 Goodson  
 D684,307 S 6/2013 Teller  
 D686,363 S 7/2013 Smith  
 D687,589 S 8/2013 Wick  
 8,517,845 B2 8/2013 Shin  
 D689,647 S 9/2013 Brott et al.  
 D692,391 S 10/2013 Kim  
 D693,045 S 11/2013 Kirshhoffer et al.  
 8,613,526 B1 12/2013 Li et al.  
 D697,662 S 1/2014 Patterson  
 D698,983 S 2/2014 Rampolla  
 D700,732 S 3/2014 Clark et al.  
 D702,390 S 4/2014 Clark  
 D702,391 S 4/2014 Clark  
 8,714,775 B2 5/2014 Bracher  
 D708,391 S 7/2014 Coury  
 D709,235 S 7/2014 Chu  
 RE45,162 E 9/2014 Hierzer  
 D716,486 S 10/2014 Martin  
 8,888,314 B2 11/2014 Gill  
 8,953,926 B1 2/2015 Kelly  
 8,967,823 B2 3/2015 D'Antonio



(56)

References Cited

U.S. PATENT DOCUMENTS

D727,550 S 4/2015 Clark et al.  
 D727,551 S 4/2015 Clark et al.  
 D727,554 S 4/2015 Clark et al.  
 D728,145 S 4/2015 Shiqiang  
 9,004,713 B2 4/2015 Mandy et al.  
 D729,437 S 5/2015 Hillstrom  
 9,028,114 B2 5/2015 Smith  
 9,147,390 B2 8/2015 Swinkels et al.  
 D740,479 S 10/2015 Beno et al.  
 D744,132 S 11/2015 Hollingworth  
 9,194,124 B2 11/2015 Johnson et al.  
 D745,206 S 12/2015 Clark  
 D747,539 S \* 1/2016 Santoro ..... D26/120  
 D751,237 S 3/2016 Ferrier et al.  
 9,279,558 B2 3/2016 Gnasienco  
 D760,420 S 6/2016 Tomlinson  
 D761,478 S 7/2016 Ng  
 D761,990 S 7/2016 Ng  
 D761,991 S 7/2016 Clark  
 D761,992 S 7/2016 Ng  
 D764,095 S 8/2016 Clark  
 9,404,646 B2 8/2016 Clark et al.  
 9,406,594 B2 8/2016 Blakely et al.  
 D766,536 S 9/2016 Karatas  
 9,441,807 B2 9/2016 Smith  
 D768,905 S 10/2016 Sonneman  
 D768,906 S 10/2016 Sonneman  
 9,459,399 B2 10/2016 Krijn et al.  
 D773,098 S 11/2016 Czech  
 D773,099 S 11/2016 Sonneman  
 D774,239 S 12/2016 Pardo  
 D774,679 S 12/2016 Huyghe  
 D774,682 S 12/2016 Chen  
 D776,855 S 1/2017 Rashid  
 D780,364 S 2/2017 Czech et al.  
 D780,976 S 3/2017 Czech et al.  
 D783,197 S 4/2017 Amdt  
 9,618,171 B2 4/2017 Sepkhanov et al.  
 D786,481 S 5/2017 Wiedemer  
 D786,483 S 5/2017 Sonneman  
 9,644,820 B2 5/2017 Clark  
 D790,103 S 6/2017 Czech et al.  
 9,683,721 B2 6/2017 Clark et al.  
 D791,385 S 7/2017 Sonneman  
 D791,401 S 7/2017 Sonneman  
 D792,006 S 7/2017 Sonneman  
 D792,632 S 7/2017 Amato  
 D792,633 S 7/2017 Sonneman  
 D794,241 S 8/2017 Huyghe  
 D797,977 S 9/2017 Farzan  
 D797,982 S 9/2017 Sonneman  
 D799,097 S 10/2017 Sonneman  
 D800,368 S 10/2017 Czech et al.  
 9,792,891 B2 10/2017 Swinkels et al.  
 D802,819 S 11/2017 Czech et al.  
 9,822,938 B2 11/2017 De Gier  
 9,851,094 B2 12/2017 Gommans et al.  
 D806,927 S 1/2018 Rashid  
 D806,929 S 1/2018 Clark  
 D810,993 S 2/2018 Genovese  
 9,920,525 B1 \* 3/2018 Underkoffler ..... E04B 9/366  
 D817,537 S 5/2018 Clark  
 9,964,692 B2 5/2018 SanFacon et al.  
 D819,860 S 6/2018 Clark  
 9,995,466 B2 6/2018 SanFacon et al.  
 10,024,522 B2 7/2018 Clark et al.  
 10,030,850 B2 7/2018 Vissenberg et al.  
 D825,811 S 8/2018 Clark  
 D826,450 S 8/2018 Clark  
 D827,908 S 9/2018 Silver et al.  
 D828,612 S 9/2018 Silver et al.  
 D835,333 S 12/2018 Silver  
 D836,238 S 12/2018 Ericson, Jr. et al.  
 10,151,454 B2 12/2018 Farrell et al.  
 D847,395 S 4/2019 Tremaine et al.

10,274,664 B2 4/2019 Wang et al.  
 D848,047 S 5/2019 Santoro et al.  
 10,359,163 B1 \* 7/2019 Hettwer ..... E04B 9/32  
 D858,853 S 9/2019 Anastassiades  
 D860,507 S 9/2019 Greenberg et al.  
 D861,960 S \* 10/2019 Ng ..... D26/90  
 D880,043 S \* 3/2020 Guerra ..... D26/76  
 10,598,355 B2 3/2020 Ross et al.  
 D880,754 S 4/2020 Ross et al.  
 10,672,376 B1 \* 6/2020 Pickens ..... F21V 23/023  
 D889,732 S 7/2020 Silver  
 10,718,476 B2 7/2020 Santos et al.  
 10,725,231 B2 7/2020 Ross et al.  
 D896,429 S 9/2020 Velez  
 10,782,005 B2 9/2020 Guerra et al.  
 D898,979 S 10/2020 Silver  
 D899,668 S 10/2020 Arni et al.  
 2001/0046621 A1 11/2001 Colli  
 2002/0071281 A1 6/2002 Dickson  
 2004/0027830 A1 2/2004 Chen  
 2004/0226230 A1 11/2004 Ritzer  
 2006/0146531 A1 6/2006 Reo et al.  
 2007/0058377 A1 3/2007 Zampini, II et al.  
 2007/0247842 A1 10/2007 Zampini et al.  
 2008/0266842 A1 10/2008 Skidmore et al.  
 2008/0314944 A1 12/2008 Tsai  
 2009/0126139 A1 5/2009 Batti et al.  
 2010/0149791 A1 7/2010 McCane et al.  
 2011/0170294 A1 7/2011 Mier-Langner  
 2012/0081919 A1 4/2012 Parker  
 2013/0016847 A1 1/2013 Steiner  
 2013/0094225 A1 4/2013 Leichner  
 2013/0148357 A1 6/2013 Johnson et al.  
 2014/0009927 A1 1/2014 Gnasienco  
 2014/0022759 A1 1/2014 Li  
 2014/0024249 A1 1/2014 Adams et al.  
 2014/0063803 A1 3/2014 Yaphe  
 2014/0133150 A1 5/2014 Pardikes et al.  
 2014/0153257 A1 6/2014 Smith  
 2014/0198494 A1 7/2014 Chin  
 2014/0334178 A1 11/2014 Zharov  
 2015/0226384 A1 \* 8/2015 Park ..... F21V 21/34  
 362/223  
 2015/0300605 A1 10/2015 Clark  
 2015/0300610 A1 10/2015 DeCarr et al.  
 2016/0061429 A1 3/2016 Waalkes  
 2016/0245488 A1 8/2016 Clark  
 2016/0281940 A1 9/2016 Kim  
 2017/0138561 A1 5/2017 Van Strander  
 2017/0159928 A1 \* 6/2017 Gommans ..... E04B 9/32  
 2017/0268752 A1 \* 9/2017 Horvath ..... F21V 23/005  
 2017/0370098 A1 12/2017 Honji et al.  
 2018/0127975 A1 \* 5/2018 Gillette ..... E04B 9/045  
 2018/0180233 A1 6/2018 Mellor  
 2018/0226003 A1 8/2018 Szekely  
 2018/0245334 A1 8/2018 Udagawa et al.  
 2018/0266668 A1 9/2018 Myers et al.  
 2018/0267228 A1 9/2018 Epstein et al.  
 2018/0334804 A1 \* 11/2018 Patterson ..... E04F 13/0801  
 2018/0336875 A1 11/2018 Patterson et al.  
 2019/0017260 A1 1/2019 Bou Harb et al.  
 2019/0035376 A1 1/2019 Pilaar  
 2019/0041570 A1 2/2019 Yeo et al.  
 2019/0088241 A1 3/2019 Czech et al.  
 2019/0096954 A1 3/2019 Crompvoets et al.  
 2019/0106883 A1 4/2019 Moore et al.  
 2019/0162369 A1 5/2019 Sonneman et al.  
 2019/0186132 A1 6/2019 Knoblauch et al.  
 2019/0234595 A1 8/2019 Beland et al.  
 2019/0309937 A1 10/2019 Chen et al.  
 2020/0053967 A1 \* 2/2020 Murphy ..... F21S 8/061

FOREIGN PATENT DOCUMENTS

DE 202009013052 3/2011  
 DE 102012110575 5/2014  
 EP 2375151 4/2011  
 EP 2813630 5/2013  
 EP 2864559 4/2015



(56)

**References Cited**

## FOREIGN PATENT DOCUMENTS

EP	2990559	8/2015
GB	2556679	6/2018
JP	2003217332	7/2003
JP	2011159472	8/2011
KR	2020100007653	7/2010
KR	2020120007760	11/2012
KR	101454180	10/2014
WO	2013006790	1/2013
WO	2013058961	4/2013
WO	20131190447 A2	12/2013
WO	2014081621	5/2014
WO	20141073907 A1	5/2014
WO	20141184156 A1	11/2014
WO	2015073907	5/2015
WO	2015184156	12/2015

## OTHER PUBLICATIONS

- Office Action dated Aug. 23, 2019 from U.S. Appl. No. 15/719,070, filed Sep. 28, 2017.
- Non-Final Office Action for U.S. Appl. No. 29/647,681, dated Nov. 4, 2019.
- Final Office Action for U.S. Appl. No. 15/719,070, dated Feb. 3, 2020.
- Acoshape+ Modell Barcode Acoustic Submitted to U.S. Appl. No. 15/973,054 dated Aug. 7, 2018.
- Acoshape+ Modell Barcode Down Submitted to U.S. Appl. No. 15/973,054 dated Aug. 7, 2018.
- Acoshape+ Modell Barcode Down/Up Submitted to U.S. Appl. No. 15/973,054 dated Aug. 7, 2018.
- Acoshape+ Modell Morse 3 Submitted to U.S. Appl. No. 15/973,054 dated Aug. 7, 2018.
- Acoshape+ Modell Morse 4 Submitted to U.S. Appl. No. 15/973,054 dated Aug. 7, 2018.
- Ringo Star Acoustic-P6/G6 Submitted to U.S. Appl. No. 15/973,054 dated Aug. 7, 2018. Dated Jun. 6, 2017.
- Spectral Blade Light and Acoustic Baffles Submitted to U.S. Appl. No. 15/973,054 dated Aug. 7, 2018. Dated Jun. 2017.
- Non-Final Office Action for U.S. Appl. No. 15/902,731 dated Jul. 29, 2019.
- Office Action in U.S. Appl. No. 15/076,852 dated Jun. 2, 2017.
- Office Action in U.S. Appl. No. 29/560,673 dated May 10, 2017.
- Light art (available online Oct. 21, 2013) Retrieved from the internet Mar. 16, 2017, retrieved from the Internet URL: [www.youtube.com](http://www.youtube.com) (search "Lightart.com").
- Tin eye reference (available online Oct. 8, 2014) Retrieved from the internet Mar. 23, 2017, retrieved from the internet URL: <https://tineye.com/search/cb9bd08581564e1b2247fa8b78f73b92f57cc422/> Reference internet site URL: <https://www.architonic.com/en/product/henge-light-ring-medium/1149533>.
- Ring shade 32 LED Pendant (available online Mar. 28, 2015) Retrieved from the internet Apr. 8, 2017, retrieved from the internet URL: <https://web-beta.archive.org/web/20150328234600/http://www.sonnemanawayofflight.com/ringshade32ledpendant-p-922.html>.
- Light in the Box (available online Dec. 30, 2014) Retrieved from the internet Mar. 16, 2017, retrieved from the Internet URL: [https://www.amazon.com/LightInTheBox-RingHome-Chandeliers-Lighting-110-120V/dp/B00RL1N79W/ref=pd\\_bxgy\\_60\\_img\\_3?encoding=UTF8&pd\\_rd\\_i=B00RL1N79W&pd\\_rd\\_r=0K15VB464BCF6J7RV59C&pd\\_rd\\_w=3rhz3&pd\\_rd\\_wg=r7IJv&pvc=1&refRID=0K15VB4](https://www.amazon.com/LightInTheBox-RingHome-Chandeliers-Lighting-110-120V/dp/B00RL1N79W/ref=pd_bxgy_60_img_3?encoding=UTF8&pd_rd_i=B00RL1N79W&pd_rd_r=0K15VB464BCF6J7RV59C&pd_rd_w=3rhz3&pd_rd_wg=r7IJv&pvc=1&refRID=0K15VB4).
- International Search Report & Written Opinion for Application No. PCT/US14/65816 dated Feb. 19, 2015.
- International Search Report & Written Opinion for Application No. PCT/US2015/033014 dated Sep. 8, 2015.
- International Search Report & Written Opinion for Application No. PCT/US2013/070236 dated Mar. 11, 2014.
- Office Action in U.S. Appl. No. 14/767,890 dated May 12, 2017.
- Office Action in U.S. Appl. No. 14/646,232 dated Dec. 15, 2016.
- Ex Parte Quayle Action for U.S. Appl. No. 29/481,765 dated May 9, 2016.
- Ex Parte Quayle Action for U.S. Appl. No. 29/545,539 dated May 23, 2016.
- Office Action for U.S. Appl. No. 29/481,765 dated Oct. 16, 2015.
- Requirement for Restriction for U.S. Appl. No. 29/530,073 dated May 30, 2017.
- Office Action for U.S. Appl. No. 14/646,232 dated May 2, 2016.
- Office Action for U.S. Appl. No. 29/560,681 dated Jun. 15, 2017.
- Modern Square LED Chandelier Lighting (available online Sep. 22, 2015) Retrieved from the internet Jun. 2, 2017, retrieved from the internet URL: [https://www.amazon.com/VONN-VMC31620AL-Chandelier-Lighting-Adjustable/dp/B015OG45GE/ref=sr\\_1\\_2?ie=UTF8&qid=1498172914&sr=8-2&keywords=Modern+Square+LED+Chandelier+Lighting](https://www.amazon.com/VONN-VMC31620AL-Chandelier-Lighting-Adjustable/dp/B015OG45GE/ref=sr_1_2?ie=UTF8&qid=1498172914&sr=8-2&keywords=Modern+Square+LED+Chandelier+Lighting).
- Modern Two-Tier LED Chandelier (available online Sep. 22, 2015) Retrieved from the internet Jun. 2, 2017, retrieved from the Internet URL: [https://www.amazon.com/VONN-VMC31710SW-Two-Tier-Chandelier-Adjustable/dp/B0150G4J8S/ref=pd\\_sbs\\_60\\_2?encoding=UTF8&pd\\_rd\\_i=B0150G4J8S&pd\\_rd\\_r=9GZ57EM9VFSJZMQW1ERC&pd\\_rd\\_w=XsCRS&pd\\_rd\\_wg=VbWDy8Tpsc=1&refRID=9GS7CM9VFSJZ](https://www.amazon.com/VONN-VMC31710SW-Two-Tier-Chandelier-Adjustable/dp/B0150G4J8S/ref=pd_sbs_60_2?encoding=UTF8&pd_rd_i=B0150G4J8S&pd_rd_r=9GZ57EM9VFSJZMQW1ERC&pd_rd_w=XsCRS&pd_rd_wg=VbWDy8Tpsc=1&refRID=9GS7CM9VFSJZ).
- Astro D-Light wall Light (available online) Retrieved from the internet Jun. 2, 2017, retrieved from the internet URL: <https://www.lovelights.co.uk/led-lighting-c17/astro-d-light-led-wall-light-p22295>.
- Notice of Allowance for U.S. Appl. No. 15/076,852 dated Oct. 11, 2017.
- Non-Final Office Action for U.S. Appl. No. 29/530,073 dated Sep. 1, 2017.
- Notice of Allowance for U.S. Appl. No. 29/560,673 dated Nov. 13, 2017.
- Non-Final Office Action for U.S. Appl. No. 14/912396 dated Dec. 29, 2017.
- Final Office Action for U.S. Appl. No. 14/767,890 dated Dec. 29, 2017.
- Non-Final Office Action for U.S. Appl. No. 29/560,686 dated Jan. 9, 2018.
- The807, (Feb. 5, 2014), [online], [site visited Jan. 4, 2018]. Available from internet <URL: Retrieved from <https://www.etsy.com/uk/listing/176582577/triangle-shadow-box-set-of-3?ref=related-2>>.
- Non-Final Office Action for U.S. Appl. No. 29/560,688 dated Jan. 9, 2018.
- EONeyeofnature. (Jan. 5, 2015), [online], [site visited Jan. 4, 2018]. Available from internet, <URL: Retrieved from [https://www.etsy.com/uk/listing/217343723/set-of-four-hexagon-honeycomb-shelves-in?show\\_sold\\_out\\_detail=1](https://www.etsy.com/uk/listing/217343723/set-of-four-hexagon-honeycomb-shelves-in?show_sold_out_detail=1)>.
- Search Report for application no. GB1715859.3 dated Mar. 8, 2018.
- Non-Final Office Action for U.S. Appl. No. 14/767,890 dated Jun. 4, 2018.
- Search Report for application No. 18162643.3 - 1015, dated Jul. 13, 2018.
- "Mounted Lighting Led Linear Trunking Light (available online) Retrieved from the internet Sep. 27, 2018 from URL: <https://hkenrich.en.made-in-china.com/productimage/JNrx1IEKuYha2flj00gaYGPSmBbqoC/China-3-UYears-Warranty-Ceiling-Mounted-Lighting-LED-Linear-Trunking-L>".
- "Mumu LED Linear Suspension Pendant Light (available online) Retrieved from the internet Sep. 27, 2018 from URL: <https://www.ylighting.com/mumu-led-linear-suspension-pendant-light-by-seed-design-SEDP149479.html#cgid=%0AYLLIG%0A&&VtileIndex=14>".
- Non-Final Office Action for U.S. Appl. No. 29/647,681 dated Jun. 4, 2018.
- Search Report for application No. GB1804368.7 dated Sep. 17, 2018.
- Search Report for application No. GB1715859.3 dated Oct. 2, 2018.
- Non-Final Office Action for U.S. Appl. No. 16/577,636 dated Feb. 21, 2020.
- Notice of Allowance for U.S. Appl. No. 15/902,731 dated Feb. 26, 2020.



(56)

**References Cited**

## OTHER PUBLICATIONS

Architonic\_light\_ring\_Tin\_Eye\_search\_result\_Oct\_28th\_2014 (available online Oct. 28, 2014) Retrieved from the internet 8/11/2020 from URL: <https://tineye.com/search8ef4cda898fab73fd1d06a6d7262af01589cc18b?sort=score?order=desc&page=1>.

Artemide Edge 30 (registered) Pendant Light (available Apr. 24, 2015) Retrieved Oct. 29, 2019 from URL: <https://web.archive.org/web/20150424054229/https://www.stardust.com/EDGE30.html>.

Corrected Notice of Allowability from Application No. 29/560,686 dated Jul. 11, 2018.

Cube LED Lamp (available Sep. 19, 2011) Retrieved Oct. 29, 2019 from URL: <https://www.amazon.com/SMART-GREEN-814495012024-Cube-Lamp/dp/B00500PG10>.

Exam Report from GB Application No. 1508387 dated Aug. 15, 2019.

Final Office Action for U.S. Appl. No. 29/647,681 dated Apr. 2, 2019.

Final Office Action from U.S. Appl. No. 14/767,890 dated May 17, 2019.

Foyer Pendant (available online Mar. 2, 2015) Retrieved from the internet Aug. 17, 2020 from URL: <https://www.fergusonshowrooms.com/product/et2-EE22405-bronze-870257?tb=>.

IPRP from PCT App. No. PCT/US2015/033014 dated Nov. 29, 2016.

IPRP from PCT Application No. PCT/US2013/070236 dated May 26, 2015.

IPRP from PCT Application No. PCT/US2014/065816 dated May 17, 2016.

Light\_Ring\_Medium\_designer\_furniture\_Architonic (available online Oct 28, 2014) Retrieved from the internet Aug. 11, 2020 from URL: <https://www.architonic.com/en>.

Matric Ready Square 2in Suspension G3/R4 (available online) Retrieved from the internet Aug. 17, 2020 from URL: <https://www.lighfformshop.com/Brands-lights/matric-ready-square-2in-suspension-g3-r4>.

Modell Slab 150 Submitted to U.S. Appl. No. 15/973,054 dated Aug. 7, 2018.

Morfi Small (available online) Retrieved from the internet Aug. 14, 2020 from URL: <https://www.architonic.com/en/product/petridis-s-a-forfi-small/20103072>.

Notice of Allowance for U.S. Appl. No. 14/912,396 dated May 2, 2018.

Notice of Allowance from U.S. Appl. No. 14/646,232 dated Mar. 24, 2017.

Notice of Allowance from U.S. Appl. No. 15/076,852 dated Jan. 16, 2018.

Notice of Allowance from U.S. Appl. No. 29/481,765 dated Jun. 7, 2016.

Notice of Allowance from U.S. Appl. No. 29/545,539 dated Jul. 1, 2016.

Notice of Allowance from U.S. Appl. No. 29/560,281 dated Mar. 26, 2018.

Notice of Allowance from U.S. Appl. No. 29/560,686 dated May 22, 2018.

Notice of Allowance from U.S. Appl. No. 29/560,688 dated May 22, 2018.

Notice of Allowance received for U.S. Appl. No. 15/902,731, dated Aug. 21, 2020, 5 pages.

Notice of Allowance received for U.S. Appl. No. 15/902,731, dated Jun. 9, 2020, 7 pages.

Notice of Allowance received for U.S. Appl. No. 16/577,636, dated Aug. 21, 2020, 5 pages.

Office Action in U.S. Appl. No. 29/560,688 dated Jun. 2, 2017.

Restriction Requirement for U.S. Appl. No. 16/577,636 dated Nov. 5, 2019.

Restriction Requirement from U.S. Appl. No. 15/719,070 dated May 6, 2019.

Restriction Requirement from U.S. Appl. No. 29/481,765 dated Jun. 18, 2015.

Shop.ferguson Foyer Pendant tineye reference (available online Mar. 2, 2015) Retrieved from the internet Aug. 17, 2020 from URL: [https://tineye.com/search/9ae3a7322908e09d1d83fcc3df9d473b18a90f1c?sort=crawl\\_date&order=asc&pages=1](https://tineye.com/search/9ae3a7322908e09d1d83fcc3df9d473b18a90f1c?sort=crawl_date&order=asc&pages=1).

Supplemental Notice of Allowability for U.S. Appl. No. 14/912,396 dated Jul. 9, 2018.

Triangle Pendantjampjavailalbe online Dec. 29, 2017) Retrieved from the internet Aug. 16, 2020 from URL: [https://www.archiproducts.com/en/products/hollis-morris/led-indirect-light-pendant-lamp-triangle-pendant-lamp\\_265978](https://www.archiproducts.com/en/products/hollis-morris/led-indirect-light-pendant-lamp-triangle-pendant-lamp_265978).

WhiteHanging Lamp (available May 15, 2014) Retrieved Oct. 29, 2019 from URL: <https://www.tineye.com/search/35381e6751046292c6cf07131bcc7d37a42e0fa7?page=1>.

Notice of Allowance received for U.S. Appl. No. 16/577,636, dated on Oct. 9, 2020, 2 pages.

ABL3-Led Mobern Lighting (on-line), dated Sep. 30, 2020. Retrieved from Internet Dec. 9, 2020, URL: <https://web.archive.org/web/20200930005620/https://www.mobem.com/products/ab13-led> (2 pages) (Year: 2020).

Acoustic Baffle and Lighting System—Arktura SoundBar (on-line), dated Aug. 8, 2020. Retrieved from Internet Dec. 9, 2020, URL: <https://web.archive.org/web/20200808002745/https://arktura.com/product/soundbar1> (1 page) (Year: 2020).

Blade Silent Light—Architecture Today (on-line), no date available. Retrieved from Internet Dec. 9, 2020, URL: <https://architecturetoday.co.uk/blade-silent-light/> (5 pages).

LSI—STFU Series (on-line), dated Jun. 20, 2019. Retrieved from Internet Dec. 7, 2020, URL: <https://web.archive.org/web/20190620155204/https://coronetled.com/Is1-sffu/> (2 pages) (Year: 2019).

Product Monday—Seem 1 Acoustic by Focal Point-LightNOW (on-line), dated May 20, 2019. Retrieved from Internet Dec. 9, 2020, URL: <https://www.lightnowblog.com/2019/05/product-monday-seem-1-acoustic-by-focal-point/> (2 pages) (Year: 2019).

Product Monday—Seem 1 Acoustic by Focal Point-LightNOW (on-line), dated May 20, 2019. Retrieved from Internet Dec. 9, 2020, URL: <https://www.lightnowblog.com/2019/05/product-monday-seem-1-acoustic-by-focal-point/> (2 pages) (Year: 2019).

Product Monday—Seem 1 Acoustic by Focal Point-LightNOW (on-line), dated May 20, 2019. Retrieved from Internet Dec. 9, 2020, URL: <https://www.lightnowblog.com/2019/05/product-monday-seem-1-acoustic-by-focal-point/> (2 pages) (Year: 2019).

Product Monday—Seem 1 Acoustic by Focal Point-LightNOW (on-line), dated May 20, 2019. Retrieved from Internet Dec. 9, 2020, URL: <https://www.lightnowblog.com/2019/05/product-monday-seem-1-acoustic-by-focal-point/> (2 pages) (Year: 2019).

Product Monday—Seem 1 Acoustic by Focal Point-LightNOW (on-line), dated May 20, 2019. Retrieved from Internet Dec. 9, 2020, URL: <https://www.lightnowblog.com/2019/05/product-monday-seem-1-acoustic-by-focal-point/> (2 pages) (Year: 2019).

Product Monday—Seem 1 Acoustic by Focal Point-LightNOW (on-line), dated May 20, 2019. Retrieved from Internet Dec. 9, 2020, URL: <https://www.lightnowblog.com/2019/05/product-monday-seem-1-acoustic-by-focal-point/> (2 pages) (Year: 2019).

Product Monday—Seem 1 Acoustic by Focal Point-LightNOW (on-line), dated May 20, 2019. Retrieved from Internet Dec. 9, 2020, URL: <https://www.lightnowblog.com/2019/05/product-monday-seem-1-acoustic-by-focal-point/> (2 pages) (Year: 2019).

Product Monday—Seem 1 Acoustic by Focal Point-LightNOW (on-line), dated May 20, 2019. Retrieved from Internet Dec. 9, 2020, URL: <https://www.lightnowblog.com/2019/05/product-monday-seem-1-acoustic-by-focal-point/> (2 pages) (Year: 2019).

Product Monday—Seem 1 Acoustic by Focal Point-LightNOW (on-line), dated May 20, 2019. Retrieved from Internet Dec. 9, 2020, URL: <https://www.lightnowblog.com/2019/05/product-monday-seem-1-acoustic-by-focal-point/> (2 pages) (Year: 2019).

Product Monday—Seem 1 Acoustic by Focal Point-LightNOW (on-line), dated May 20, 2019. Retrieved from Internet Dec. 9, 2020, URL: <https://www.lightnowblog.com/2019/05/product-monday-seem-1-acoustic-by-focal-point/> (2 pages) (Year: 2019).

Product Monday—Seem 1 Acoustic by Focal Point-LightNOW (on-line), dated May 20, 2019. Retrieved from Internet Dec. 9, 2020, URL: <https://www.lightnowblog.com/2019/05/product-monday-seem-1-acoustic-by-focal-point/> (2 pages) (Year: 2019).

Product Monday—Seem 1 Acoustic by Focal Point-LightNOW (on-line), dated May 20, 2019. Retrieved from Internet Dec. 9, 2020, URL: <https://www.lightnowblog.com/2019/05/product-monday-seem-1-acoustic-by-focal-point/> (2 pages) (Year: 2019).

Product Monday—Seem 1 Acoustic by Focal Point-LightNOW (on-line), dated May 20, 2019. Retrieved from Internet Dec. 9, 2020, URL: <https://www.lightnowblog.com/2019/05/product-monday-seem-1-acoustic-by-focal-point/> (2 pages) (Year: 2019).

Product Monday—Seem 1 Acoustic by Focal Point-LightNOW (on-line), dated May 20, 2019. Retrieved from Internet Dec. 9, 2020, URL: <https://www.lightnowblog.com/2019/05/product-monday-seem-1-acoustic-by-focal-point/> (2 pages) (Year: 2019).

Product Monday—Seem 1 Acoustic by Focal Point-LightNOW (on-line), dated May 20, 2019. Retrieved from Internet Dec. 9, 2020, URL: <https://www.lightnowblog.com/2019/05/product-monday-seem-1-acoustic-by-focal-point/> (2 pages) (Year: 2019).

Product Monday—Seem 1 Acoustic by Focal Point-LightNOW (on-line), dated May 20, 2019. Retrieved from Internet Dec. 9, 2020, URL: <https://www.lightnowblog.com/2019/05/product-monday-seem-1-acoustic-by-focal-point/> (2 pages) (Year: 2019).

Product Monday—Seem 1 Acoustic by Focal Point-LightNOW (on-line), dated May 20, 2019. Retrieved from Internet Dec. 9, 2020, URL: <https://www.lightnowblog.com/2019/05/product-monday-seem-1-acoustic-by-focal-point/> (2 pages) (Year: 2019).

Product Monday—Seem 1 Acoustic by Focal Point-LightNOW (on-line), dated May 20, 2019. Retrieved from Internet Dec. 9, 2020, URL: <https://www.lightnowblog.com/2019/05/product-monday-seem-1-acoustic-by-focal-point/> (2 pages) (Year: 2019).

Product Monday—Seem 1 Acoustic by Focal Point-LightNOW (on-line), dated May 20, 2019. Retrieved from Internet Dec. 9, 2020, URL: <https://www.lightnowblog.com/2019/05/product-monday-seem-1-acoustic-by-focal-point/> (2 pages) (Year: 2019).

\* cited by examiner

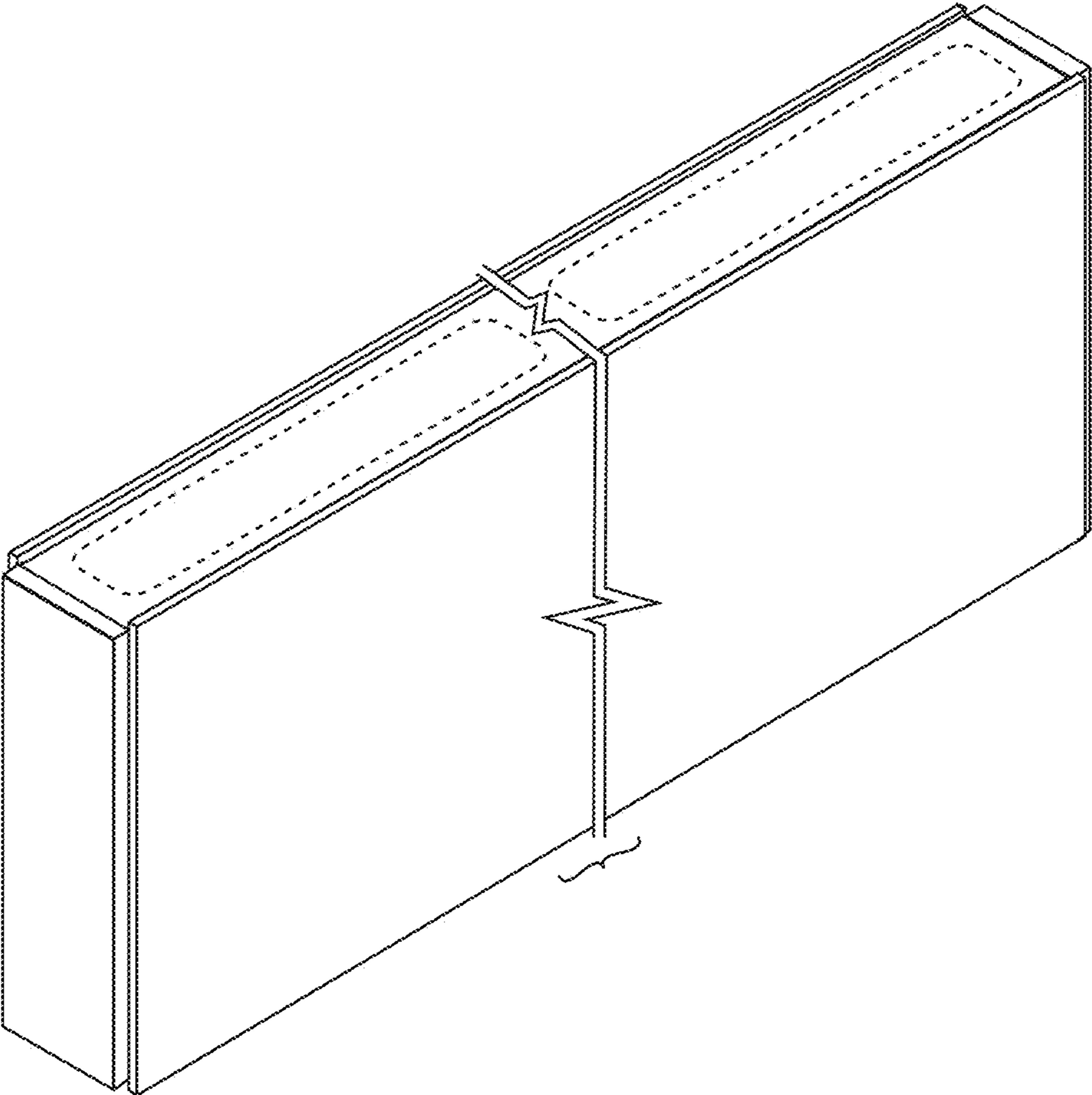


FIG. 1

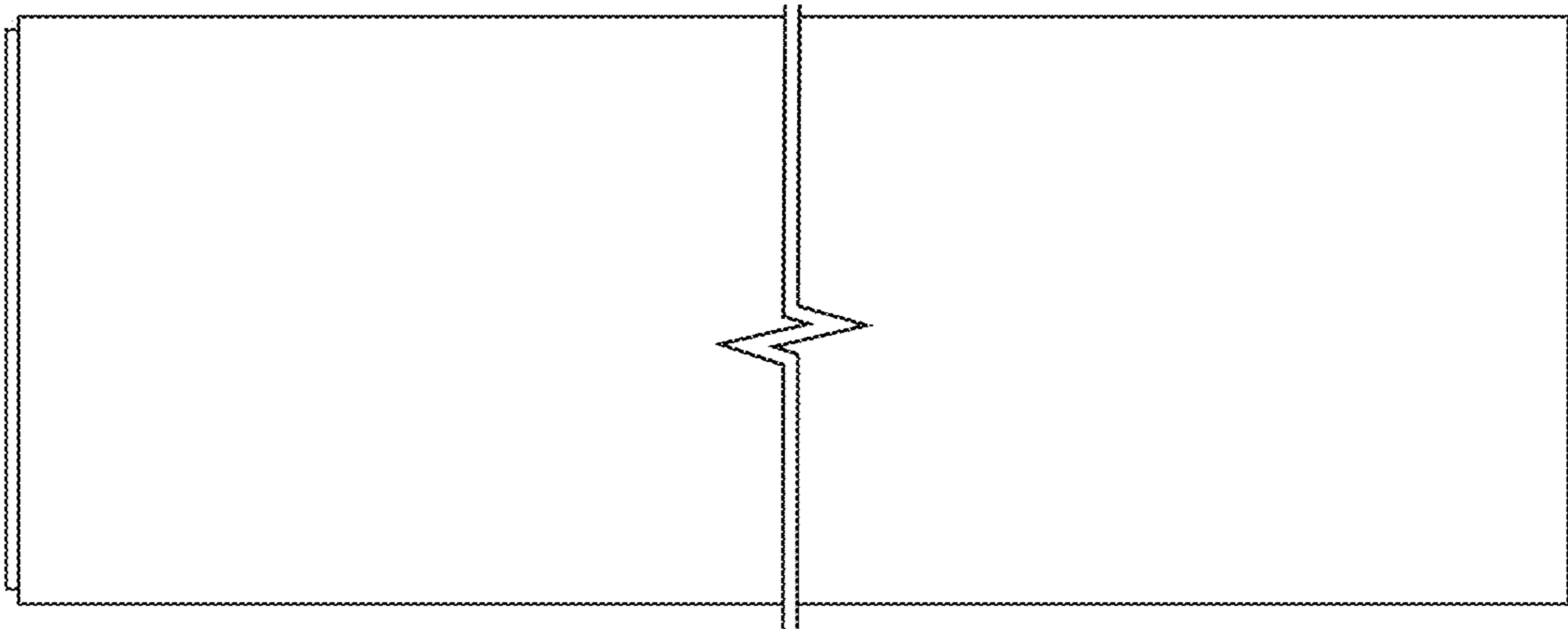


FIG. 2

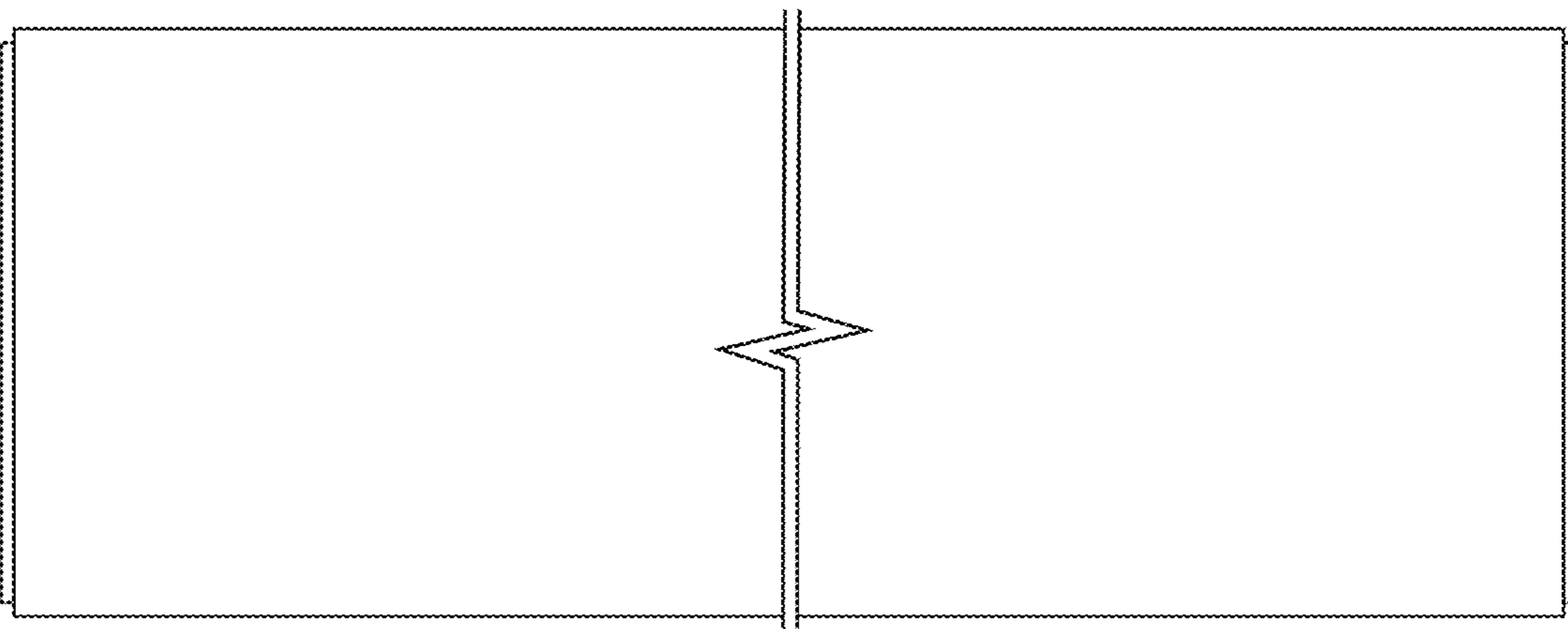


FIG. 3



FIG. 4

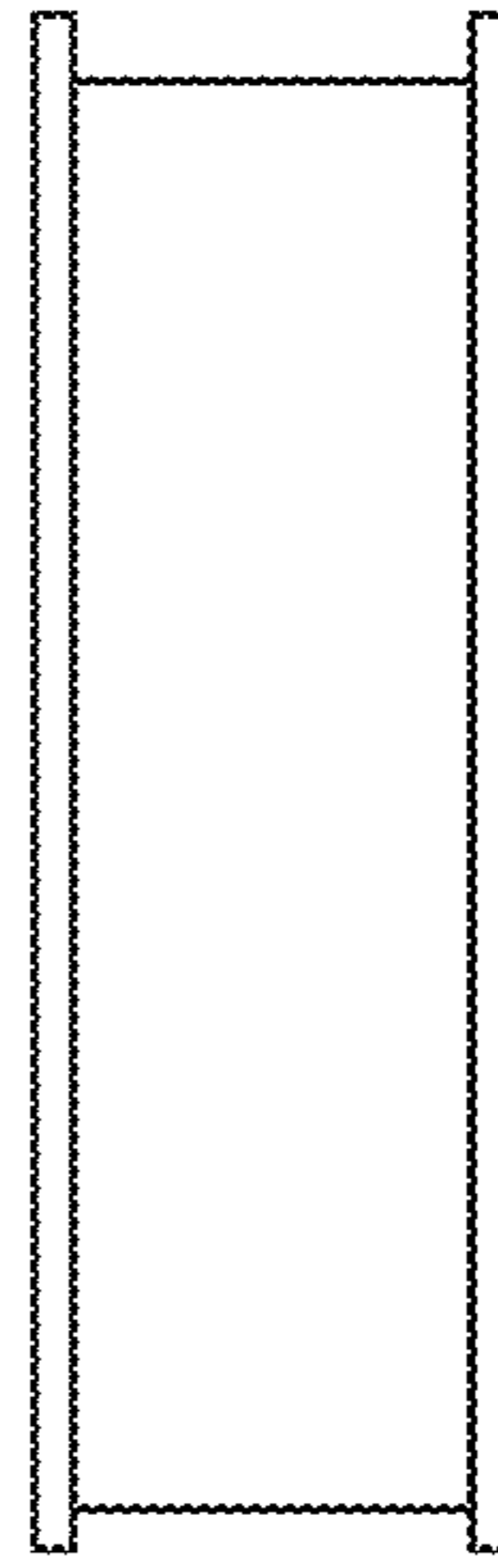


FIG. 5

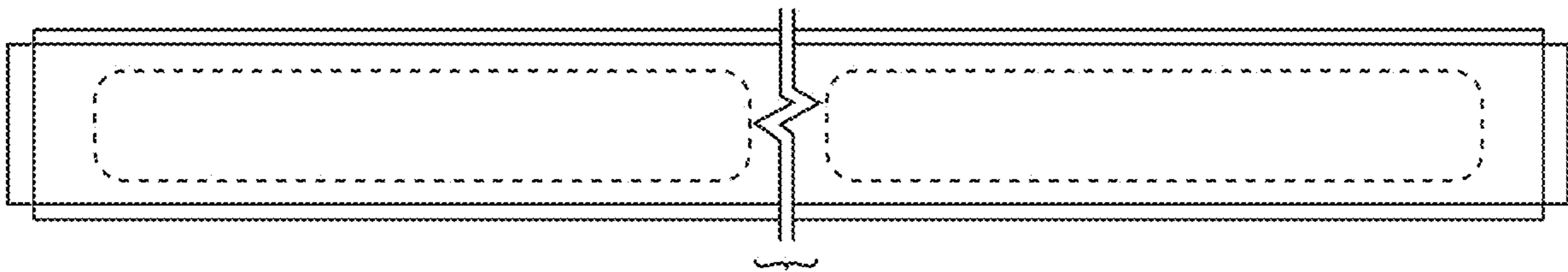


FIG. 6

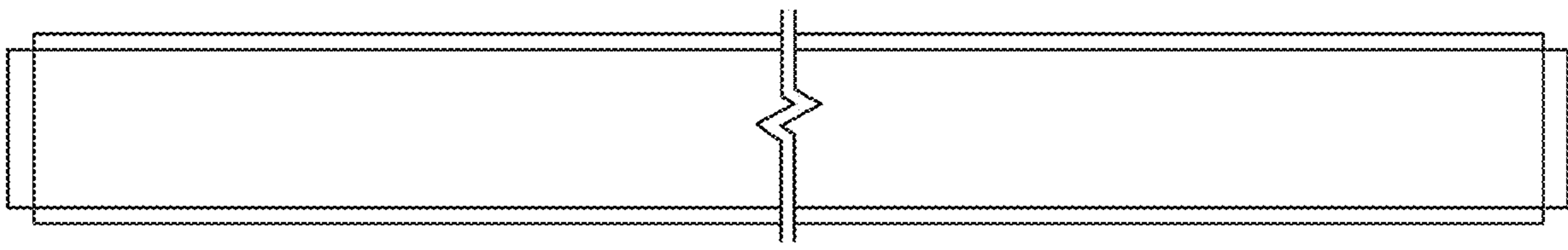


FIG. 7



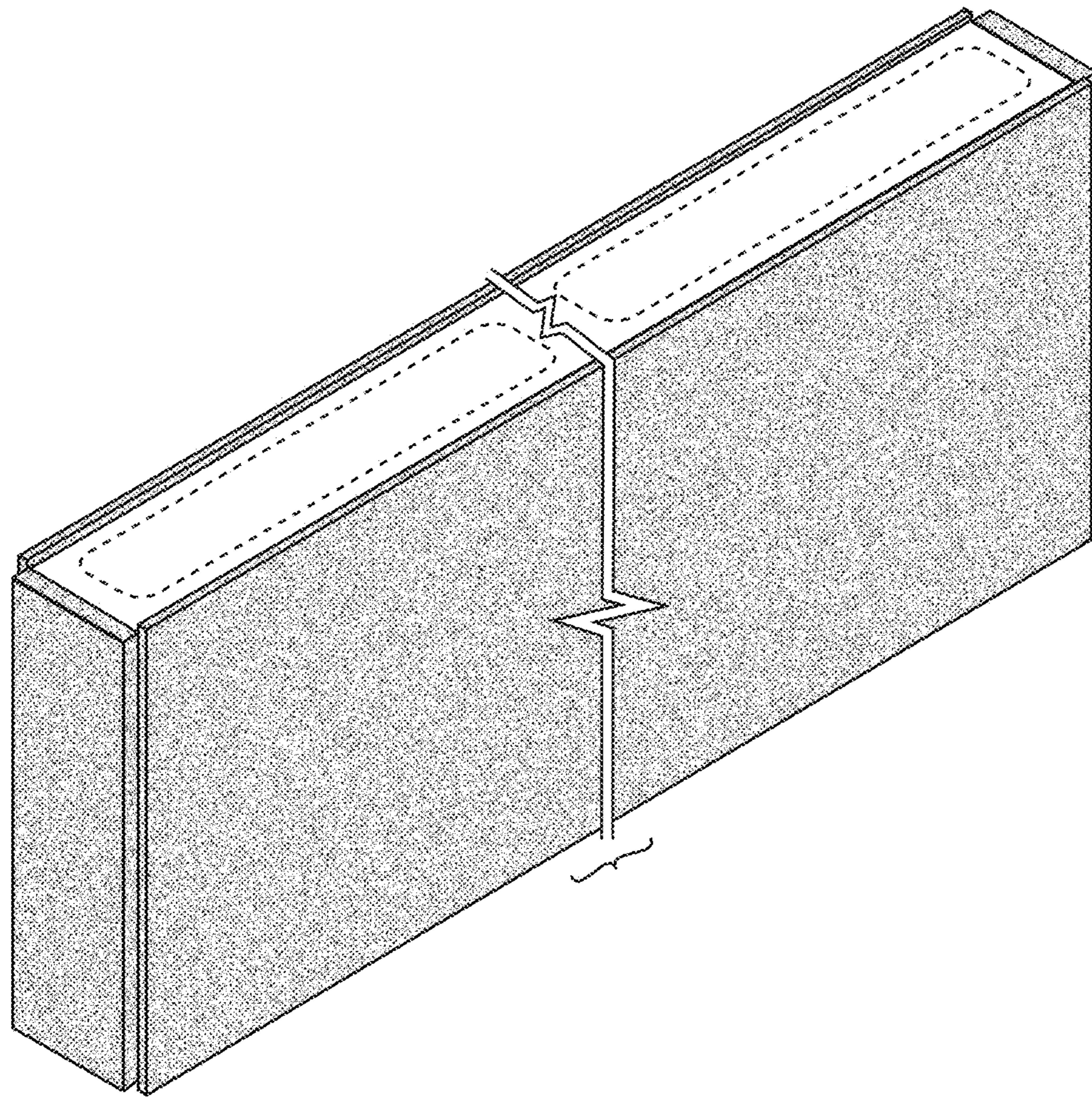


FIG. 8



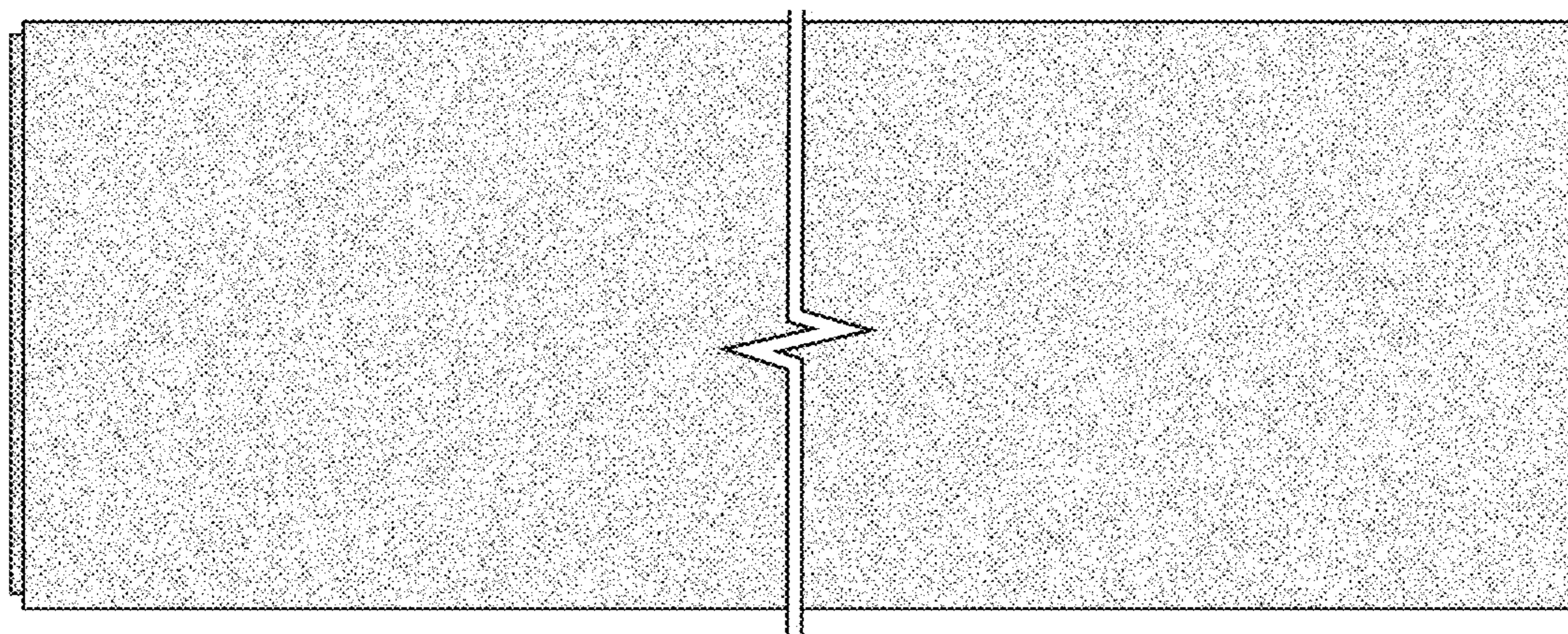


FIG. 9

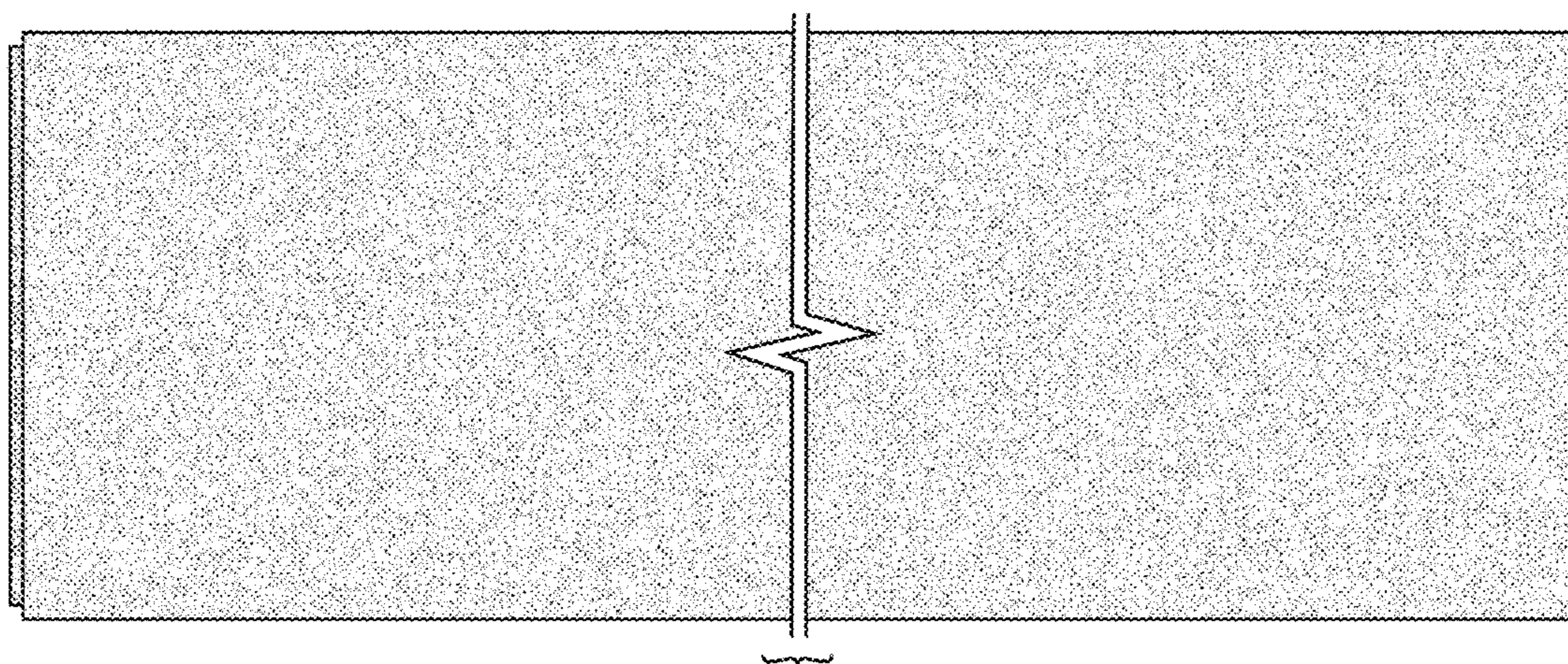


FIG. 10



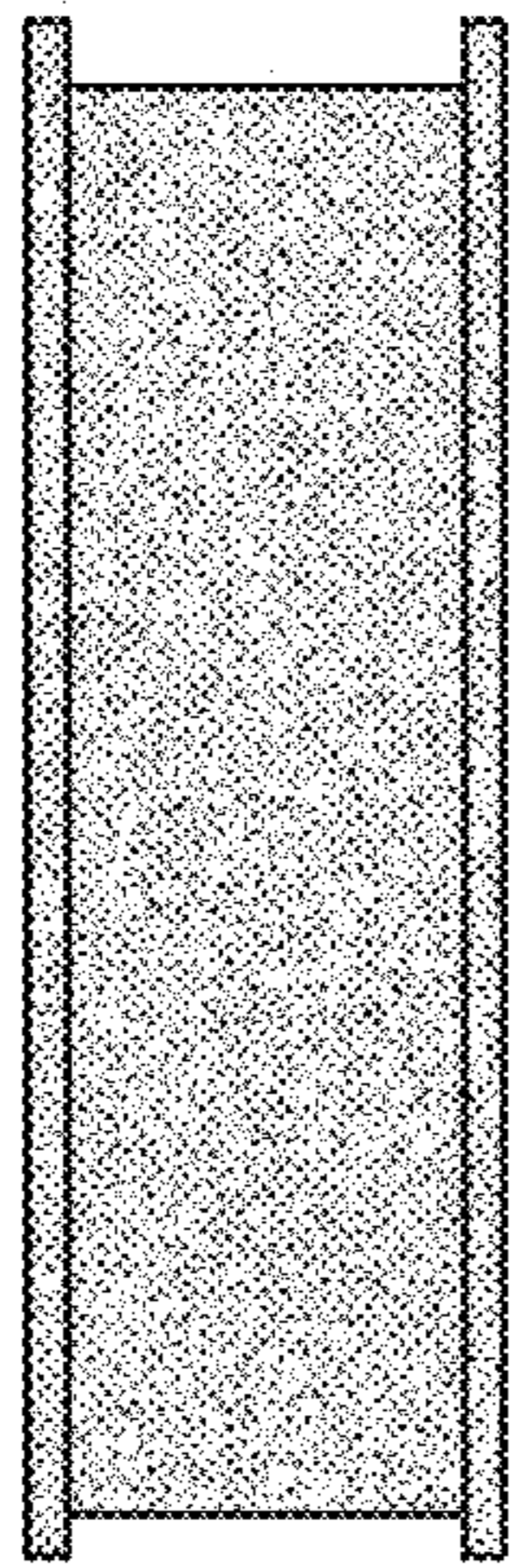


FIG. 11

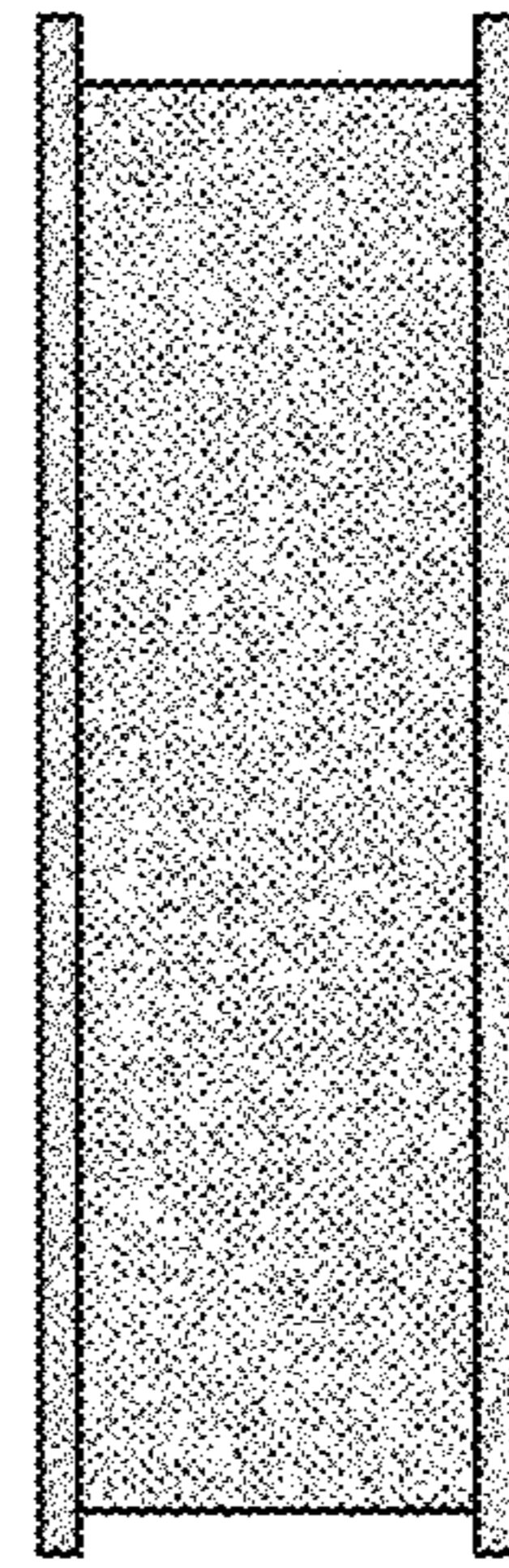


FIG. 12

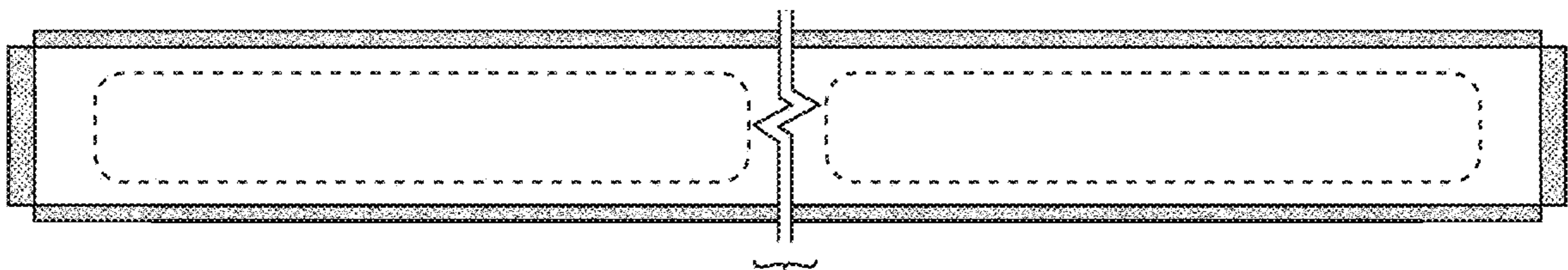


FIG. 13

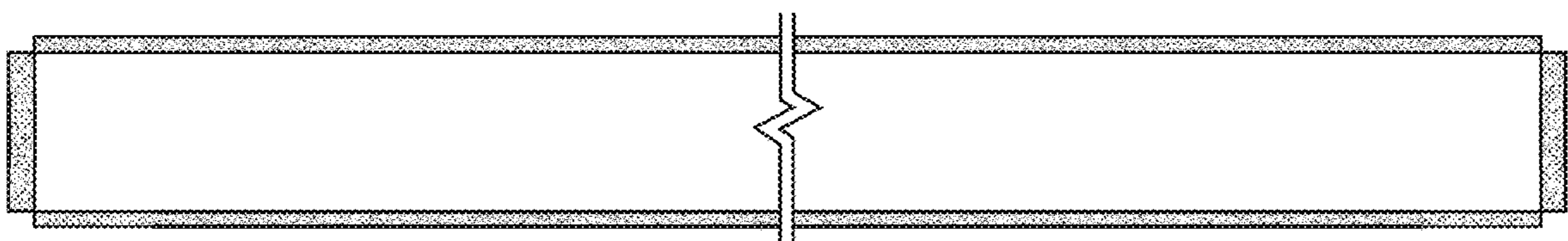


FIG. 14