



US00D915626S

(12) **United States Design Patent** (10) **Patent No.:** **US D915,626 S**
Lee (45) **Date of Patent:** **** Apr. 6, 2021**

(54) **SLEEVE FOR INSERTING REINFORCEMENT MATERIAL FOR RETAINING WALL PANEL**
(71) Applicant: **HANFORCE, CO., LTD**, Gyeonggi-do (KR)

(72) Inventor: **Jeung Su Lee**, Gyeonggi-do (KR)

(73) Assignee: **HANFORCE, CO., LTD**, Gyeonggi-Do (KR)

(**) Term: **15 Years**

(21) Appl. No.: **29/711,691**

(22) Filed: **Nov. 1, 2019**

(30) **Foreign Application Priority Data**

Jul. 5, 2019 (KR) 30-2019-0032251

(51) **LOC (13) Cl.** **25-01**

(52) **U.S. Cl.**
USPC **D25/102**

(58) **Field of Classification Search**
USPC D8/300, 303, 311, 349, 354, 356, 382, D8/383, 384; D25/55, 61, 102, 199
CPC . E02D 29/02; E02D 29/0233; E02D 29/0266; E02D 17/20
See application file for complete search history.

(56) **References Cited**

U.S. PATENT DOCUMENTS

D498,001 S	*	11/2004	Smerud	D25/102
D553,944 S	*	10/2007	Jou	D8/316
D614,012 S	*	4/2010	Saubert	D8/317
D614,013 S	*	4/2010	Saubert	D8/317
D826,026 S	*	8/2018	Chubb	D8/317
10,392,772 B2	*	8/2019	Lee	E02D 17/20
2005/0265792 A1	*	12/2005	Lee	E02D 29/0225
					405/286
2007/0003381 A1	*	1/2007	Lee	E02D 29/025
					405/286

2007/0009331 A1	*	1/2007	Lee	E02D 29/025
					405/262
2013/0008098 A1	*	1/2013	Freitag	E02D 29/0241
					52/166
2018/0044878 A1	*	2/2018	Lee	E02D 17/20

FOREIGN PATENT DOCUMENTS

KR	300818259.0000	*	10/2015
KR	300818260.0000	*	10/2015

OTHER PUBLICATIONS

FoldLock Strip & Panel System Hanforce Co. Ltd https://hanforce.en.ec21.com/FoldLock-Strip---Panel--9699918_9700246.html Dec. 1, 2020 (Year: 2020).*
Oil Rubbed Bronze Kitchen Cabinet Pull Handles Amazon.com <https://www.amazon.com/Rubbed-Bronze-Kitchen-Cabinet-Handles/dp/B07FFC74VZ> Jul. 11, 2018 (Year: 2018).*
Satin Nickel Kitchen Cabinet Pull Handles Amazon.com <https://www.amazon.com/Satin-Nickel-Kitchen-Cabinet-Handles/dp/B06XZVFXKS> Apr. 3, 2017 (Year: 2017).*

* cited by examiner

Primary Examiner — Leanne Was-Englehart
(74) *Attorney, Agent, or Firm* — Susan Paik, Esq.

(57) **CLAIM**

The ornamental design for a sleeve for inserting reinforcement material for retaining wall panel, as shown and described.

DESCRIPTION

FIG. 1 is a perspective view of a sleeve for inserting reinforcement material for retaining wall panel;
FIG. 2 is a front view thereof;
FIG. 3 is a rear view thereof;
FIG. 4 is a left side view thereof;
FIG. 5 is a right side view thereof;
FIG. 6 is a top view thereof; and,
FIG. 7 is a bottom view thereof.

1 Claim, 2 Drawing Sheets

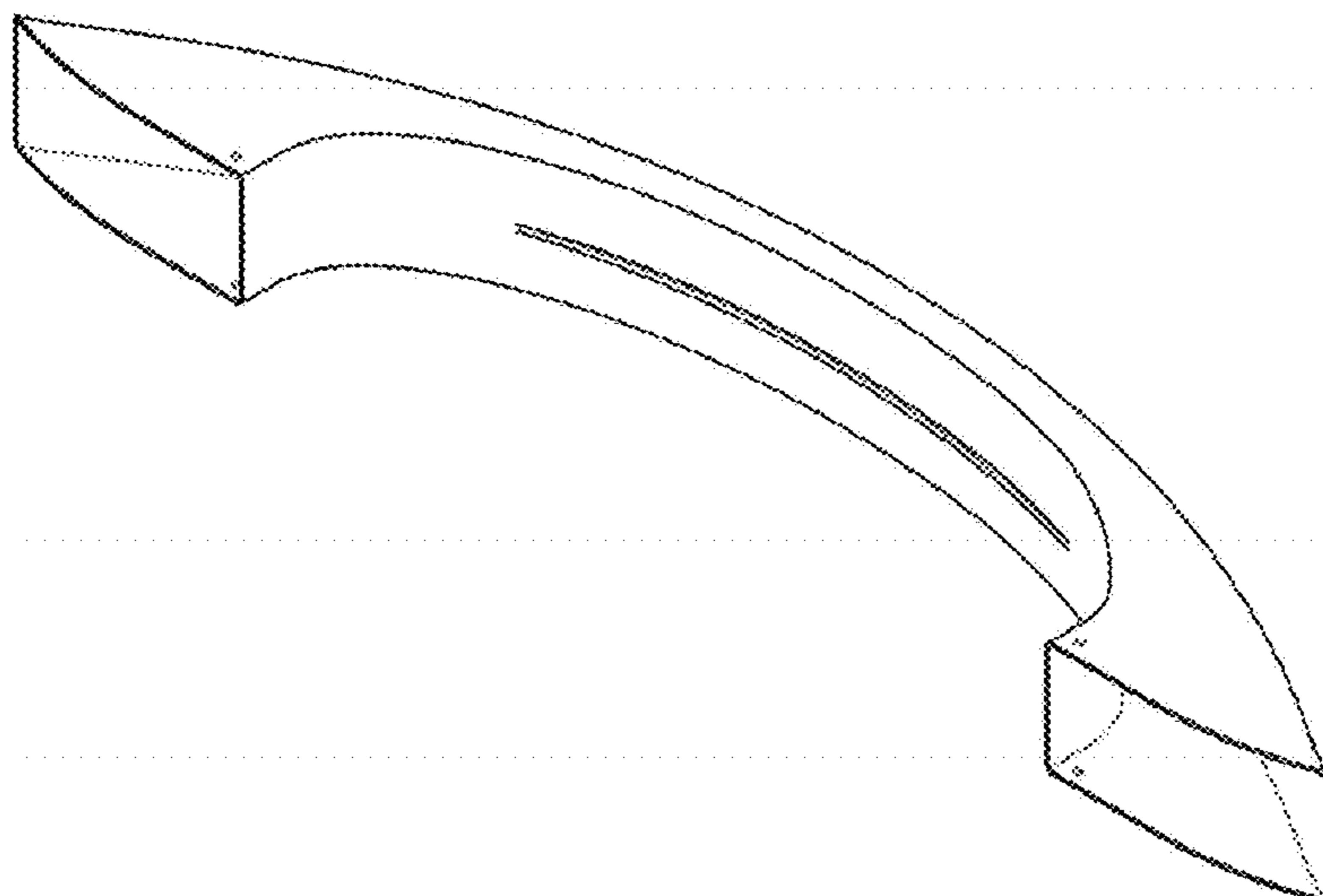


FIG. 1

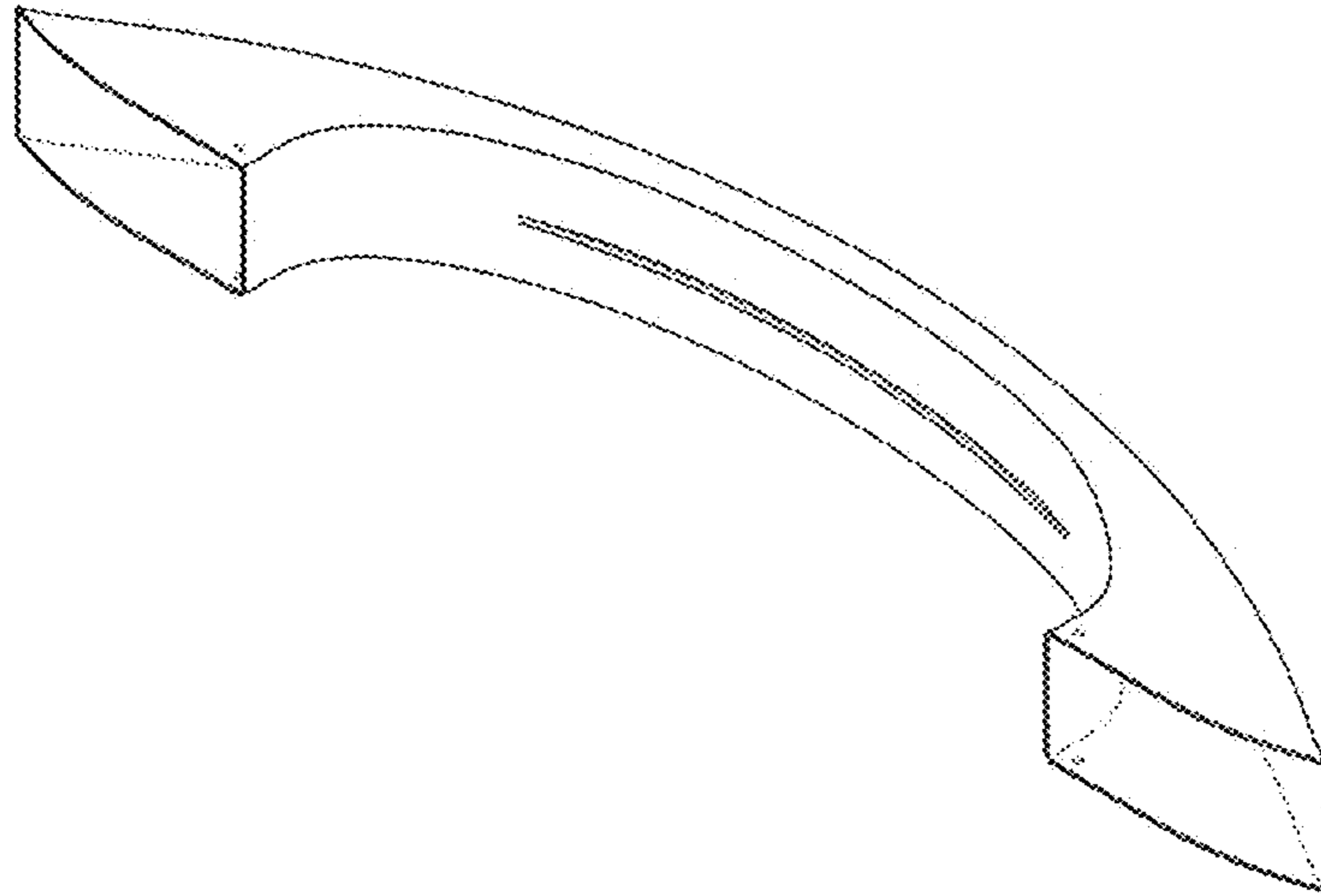


FIG. 2

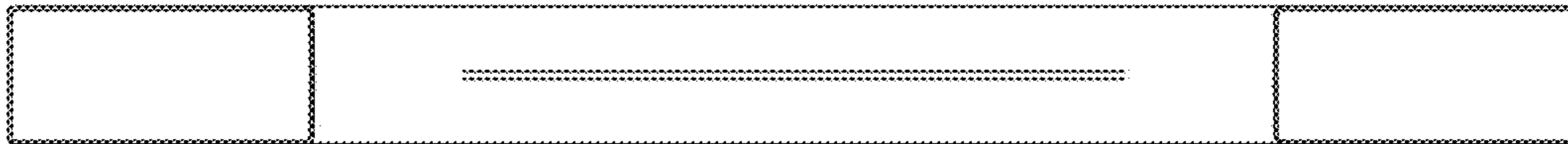


FIG. 3

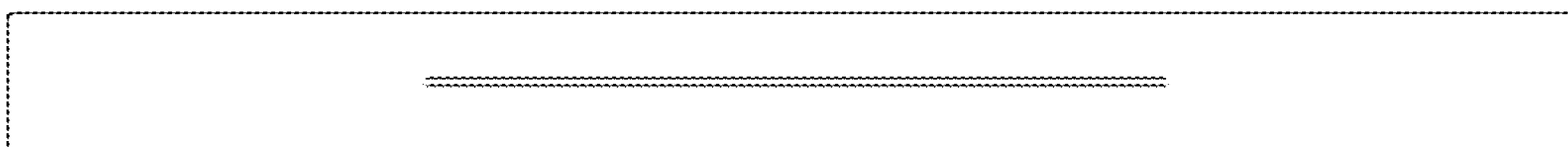


FIG. 4



FIG. 5



FIG. 6



FIG. 7

