



US00D915623S

(12) **United States Design Patent** (10) **Patent No.:** **US D915,623 S**
Foley et al. (45) **Date of Patent:** **** Apr. 6, 2021**

(54) **TWIST LOCK FOR A MULTI-POSITION LADDER**

(71) Applicant: **Tricam Industries, Inc.**, Eden Prairie, MN (US)

(72) Inventors: **Joseph P. Foley**, St. Paul, MN (US);
Benjamin P. Williams, Chaska, MN (US)

(73) Assignee: **Tricam Industries, Inc.**, Eden Prairie, MN (US)

(**) Term: **15 Years**

(21) Appl. No.: **29/705,500**

(22) Filed: **Sep. 12, 2019**

(51) **LOC (13) Cl.** **25-04**

(52) **U.S. Cl.**
USPC **D25/68**

(58) **Field of Classification Search**
USPC D25/62-65, 68; 16/326, 329, 332;
182/23, 194
CPC E06C 1/32; E06C 7/16
See application file for complete search history.

(56) **References Cited**

U.S. PATENT DOCUMENTS

- 4,566,150 A * 1/1986 Boothe E05D 11/1007
16/332
- 4,697,305 A * 10/1987 Boothe E06C 1/32
16/329
- 7,140,072 B2 * 11/2006 Leng E06C 1/32
16/326
- D553,757 S * 10/2007 Moss D25/68
- D631,562 S * 1/2011 Han D25/68

- 10,487,576 B2 * 11/2019 Ballard E06C 7/16
- 2004/0216954 A1 * 11/2004 Lee E06C 1/32
182/194
- 2005/0274571 A1 * 12/2005 Simpson E06C 7/083
182/23

* cited by examiner

Primary Examiner — Gino Colan

(74) *Attorney, Agent, or Firm* — Patterson Thuent Pedersen, P.A.

(57) **CLAIM**

The ornamental design for twist lock for a multi-position ladder, as shown and described.

DESCRIPTION

FIG. 1 is a perspective view of a twist lock for a multi-position ladder showing our new design; FIG. 2 is a front elevation view thereof; FIG. 3 is a rear elevation view thereof; FIG. 4 is a left elevation view thereof; FIG. 5 is a right elevation view thereof; FIG. 6 is a top plan view thereof; FIG. 7 is a bottom plan view thereof; and, FIG. 8 is a perspective view thereof.

The broken lines shown in the figures are included for the purpose of illustrating portions of the twist lock for a multi-position ladder and form no part of the claimed design. The broken lines showing a portion of a ladder in FIG. 7 are for the purpose illustrating environment and form no part of the claimed design.

1 Claim, 8 Drawing Sheets

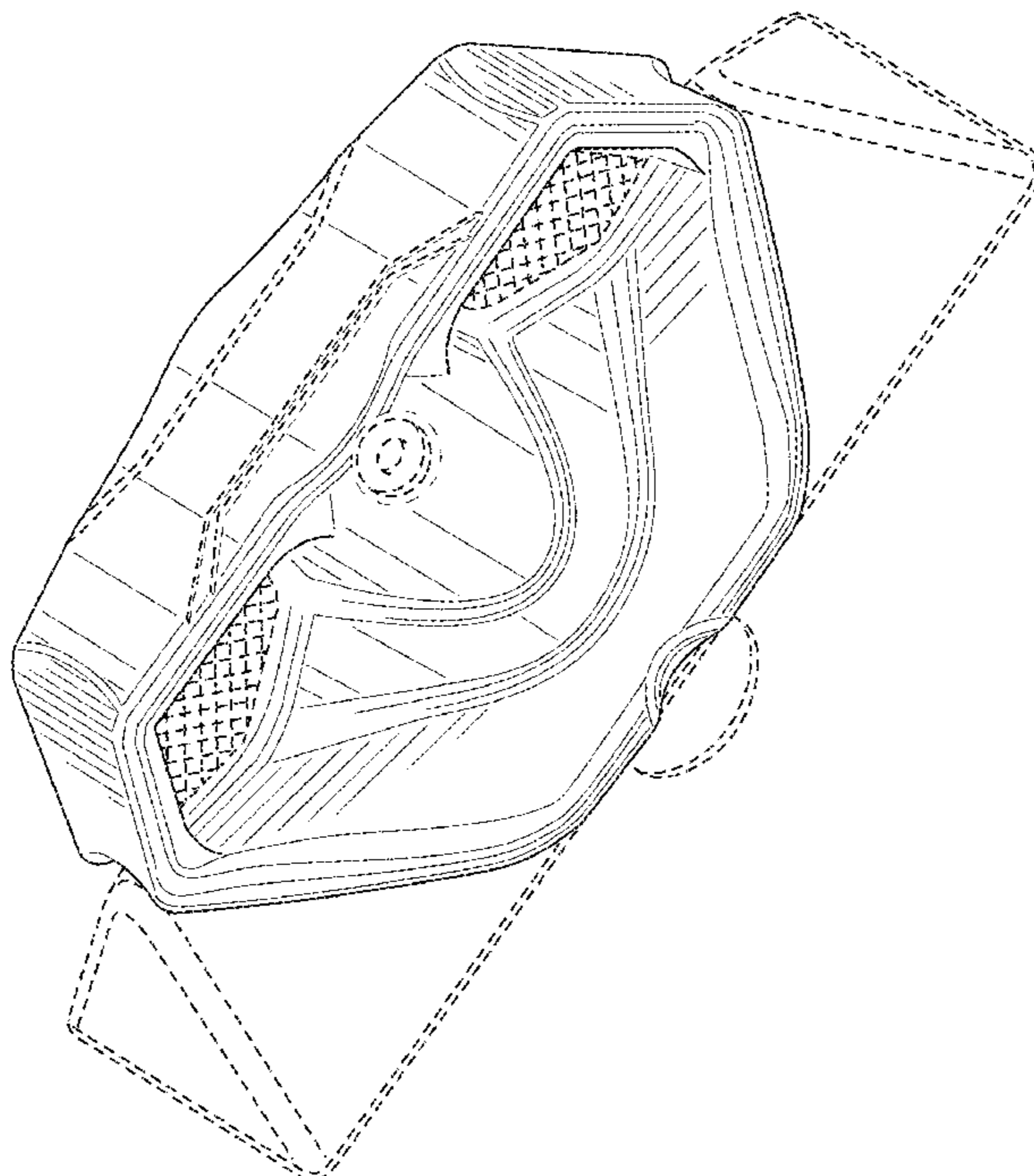


FIG. 1

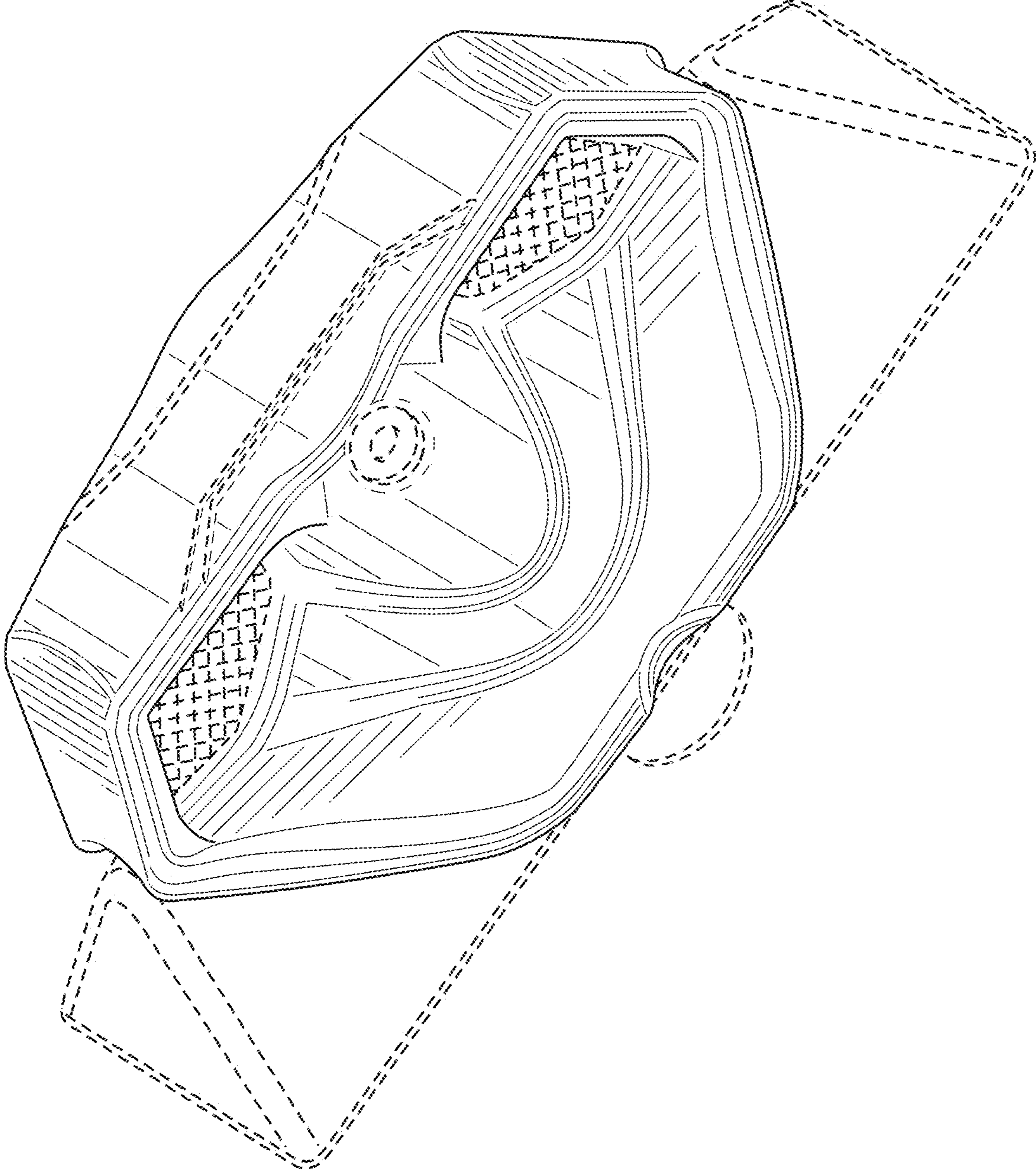


FIG. 2

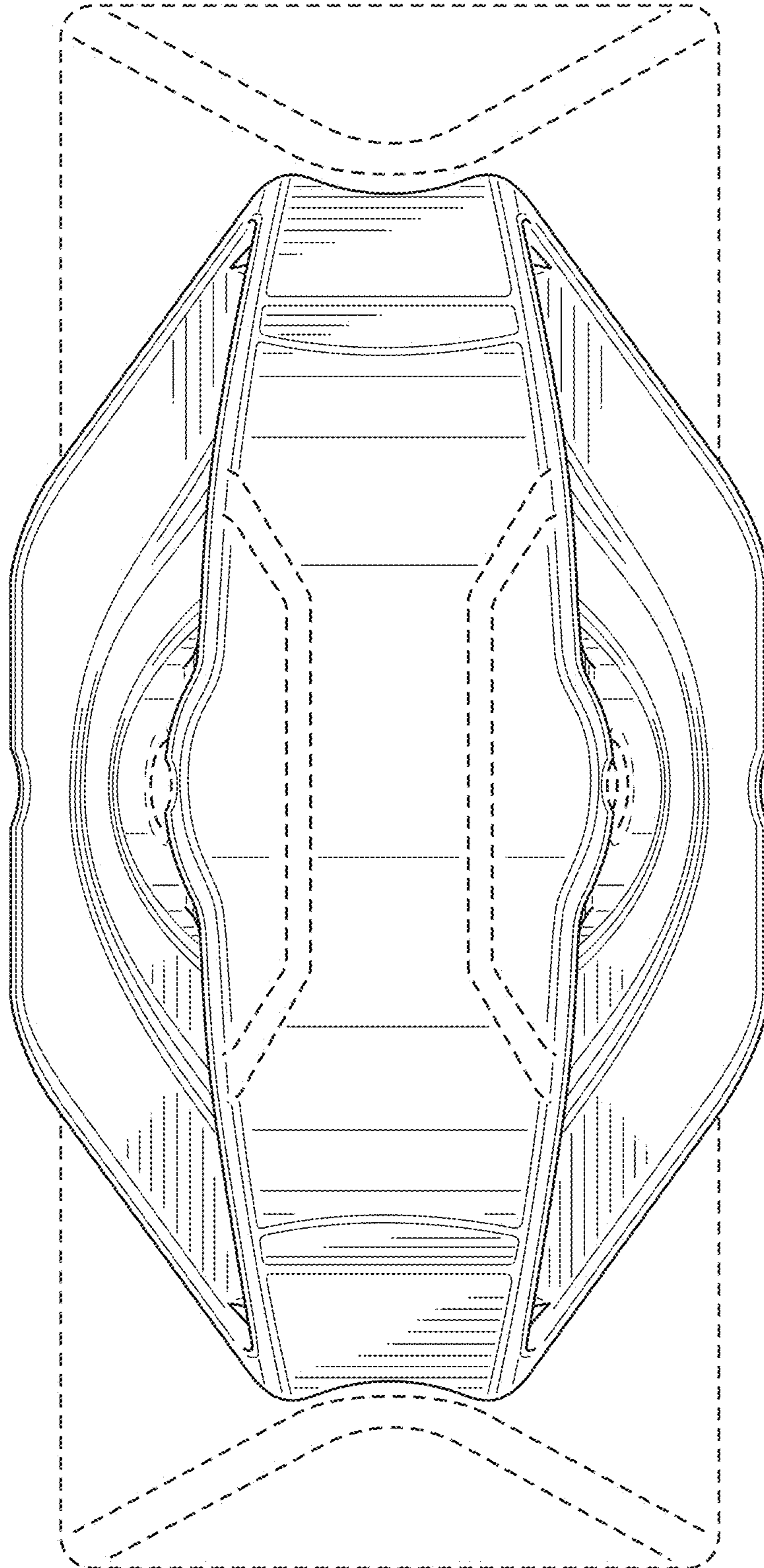


FIG. 3

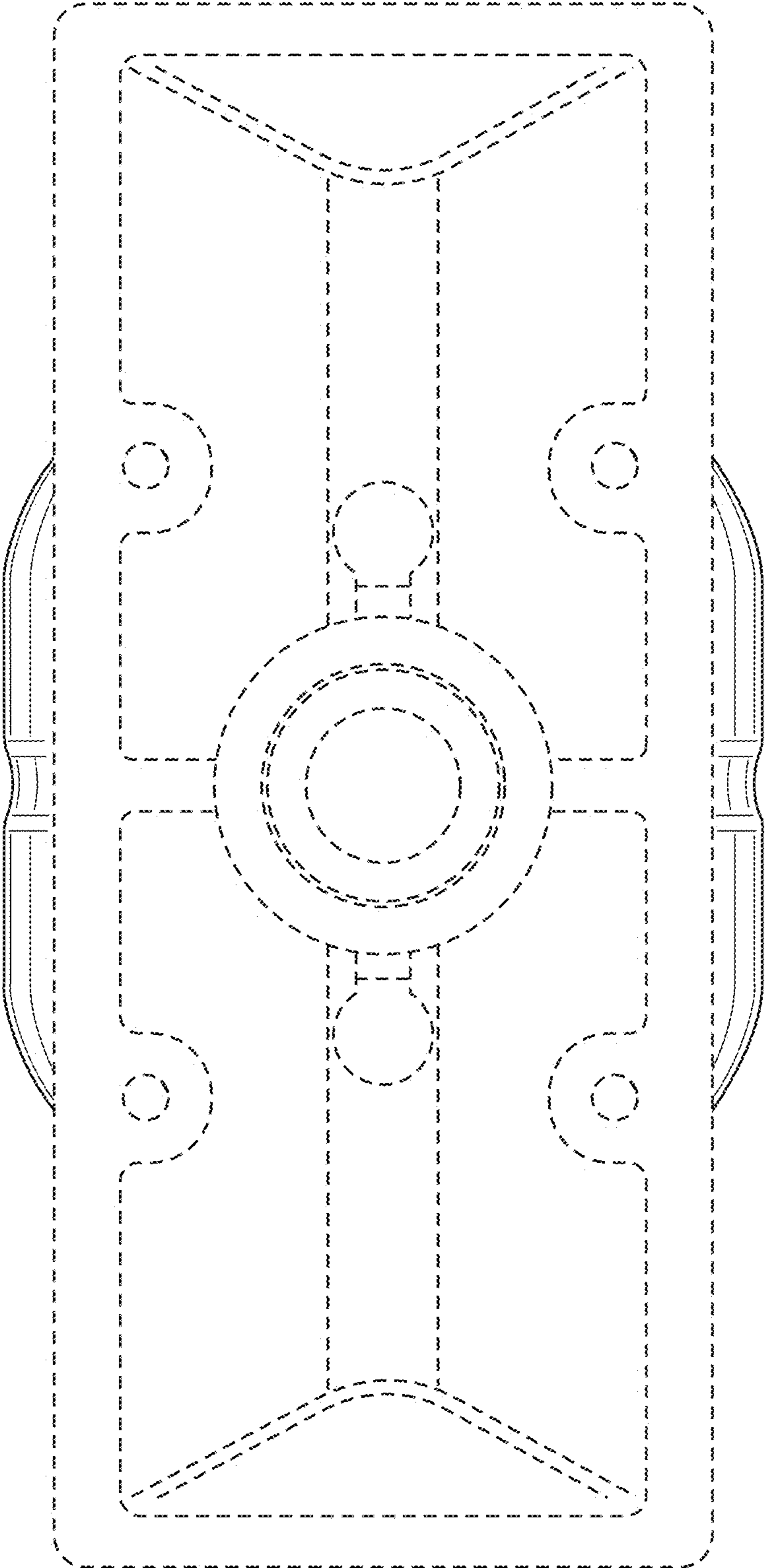


FIG. 4

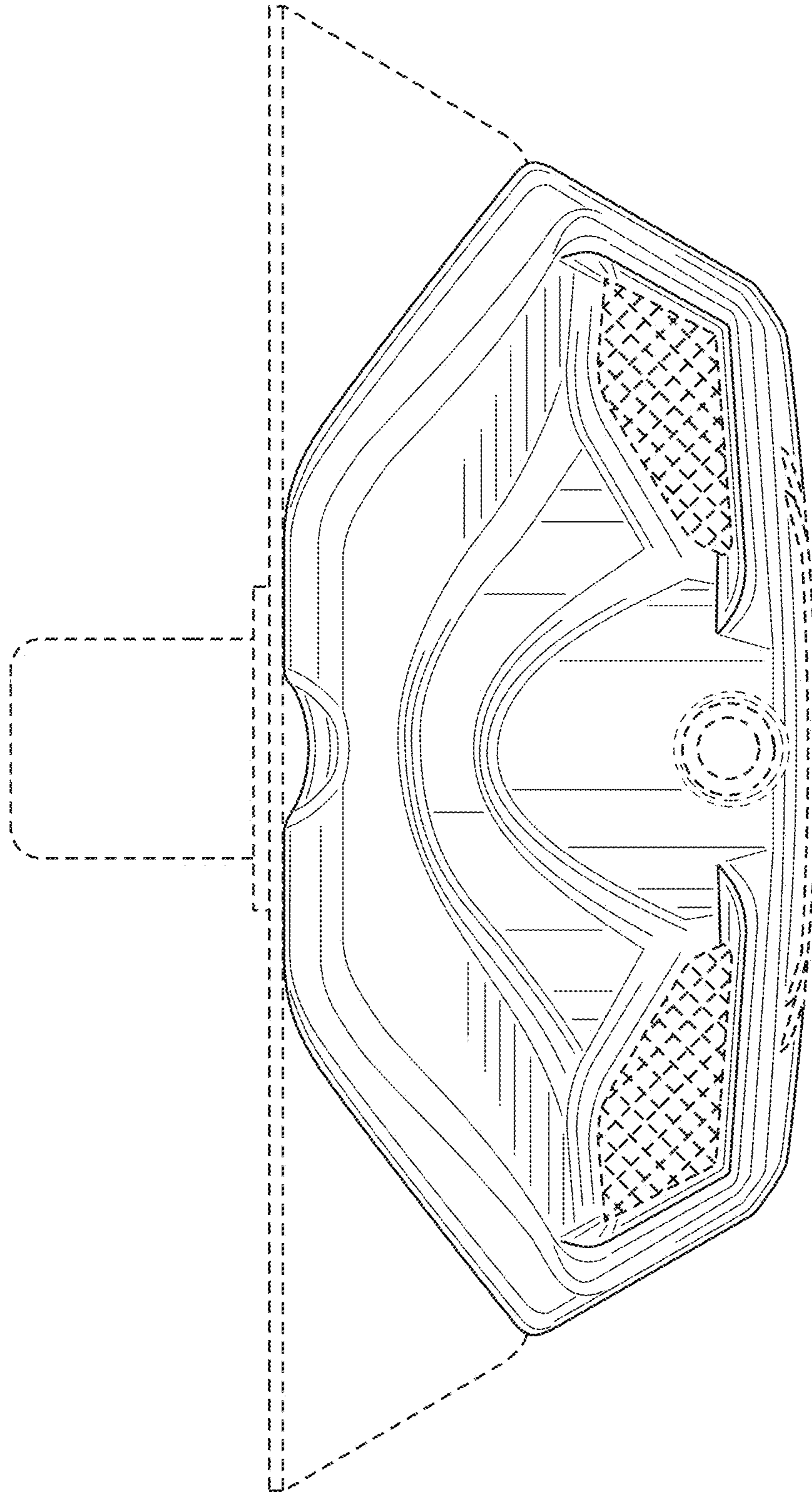


FIG. 5

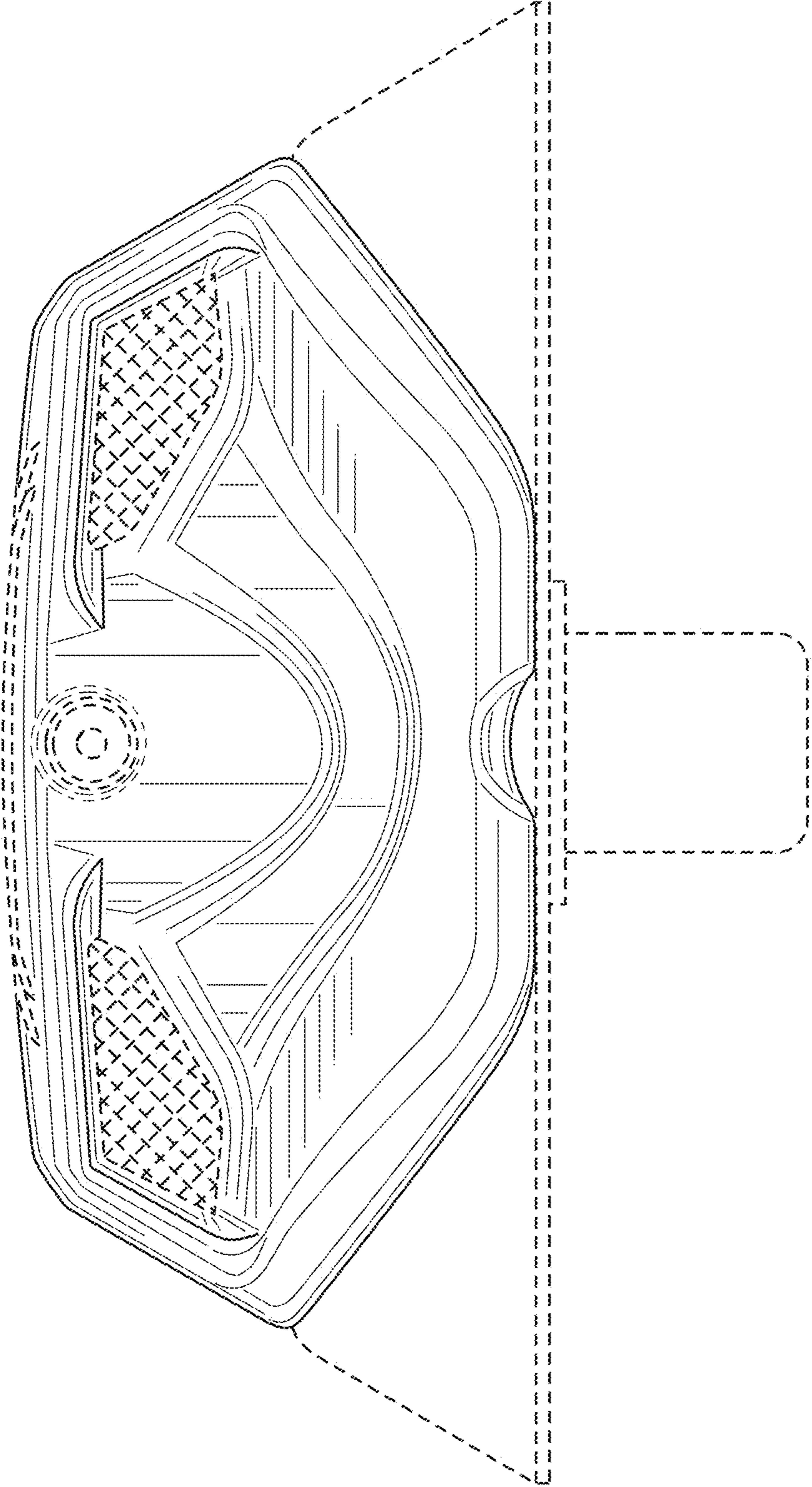


FIG. 6

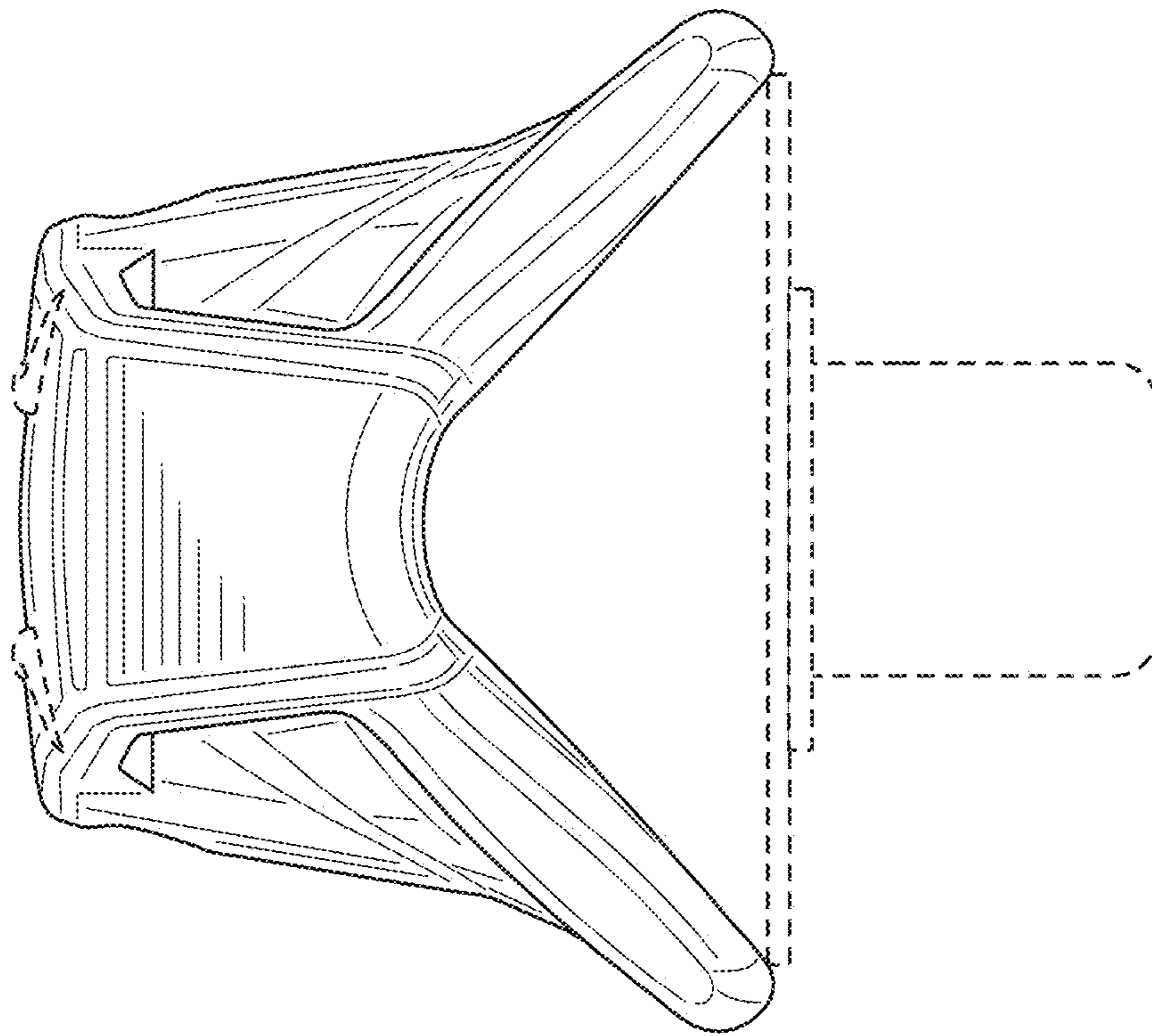


FIG. 7

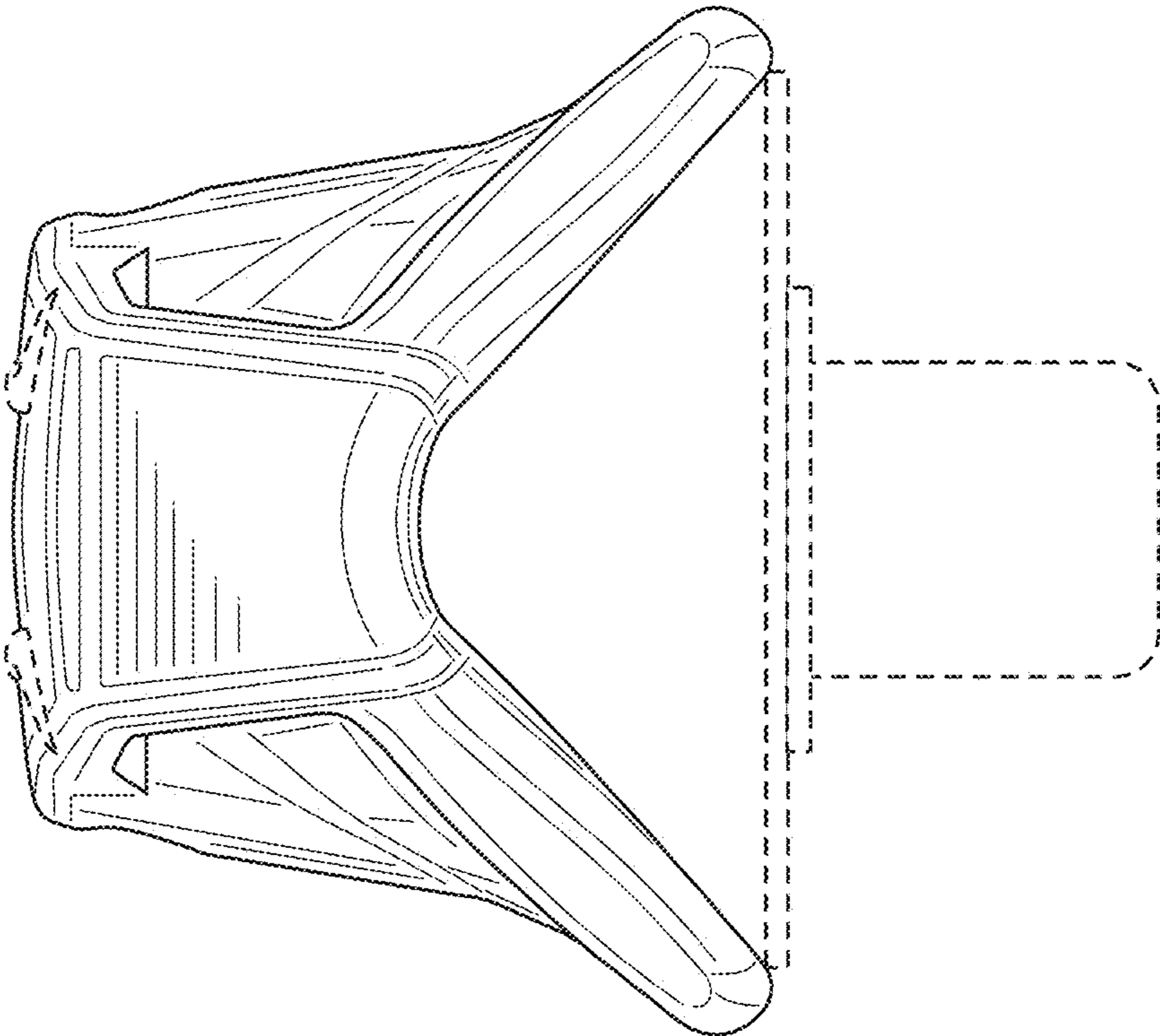
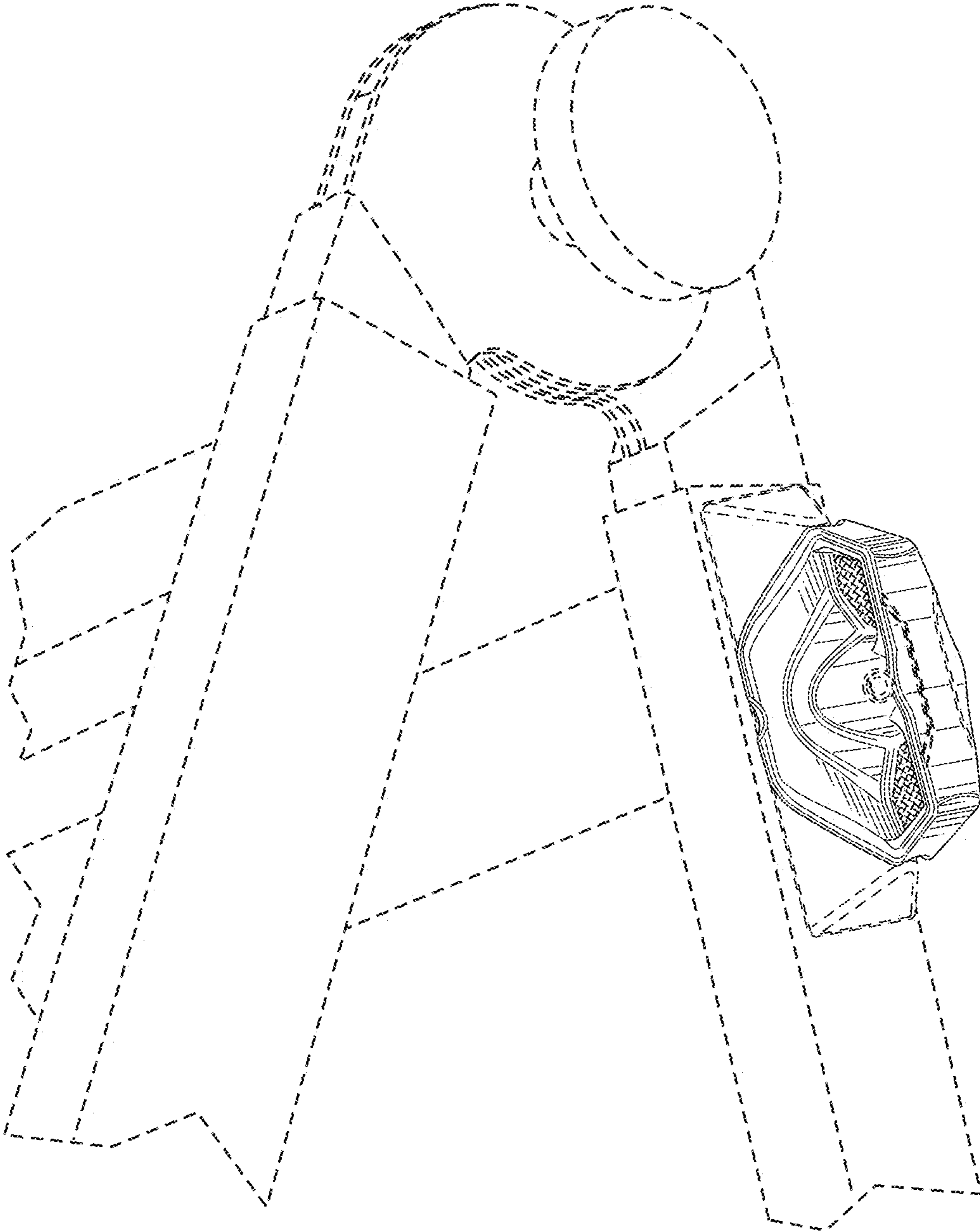


FIG. 8



(12) **SUPPLEMENTAL EXAMINATION CERTIFICATE**

United States Patent
Foley et al.

(10) Number: **D915,623 F1**
(45) Certificate Issued: **Jan. 3, 2023**

Control No.: 96/050,008

Filing Date: Oct. 21, 2022

Primary Examiner: Brett Miller

No substantial new question of patentability is raised in the request for supplemental examination. See the Reasons for Substantial New Question of Patentability Determination in the file of this proceeding.

(56) Items of Information

U.S. PATENT DOCUMENTS

10,767,416	9/2020	Moss et al.
7,412,753	8/2008	Honda Motor Co., Ltd.
7,975,359	7/2011	Osborne et al.
7,198,306	4/2007	Ambs
5,586,852	12/1996	Ganter

OTHER DOCUMENTS

Little Giant Ladder System – 81282 v1 7.15 manual, , trestle brackets, rapid locks - rock locks; copyright2015

Little Giant Ladder System – 81306 v0 9.15 manual, , quantum step, eng; copyright 2015

Little Giant Ladder System – 81308 v1 8.15 manual, Quantum Ratchet Levelers; copyright 2015

Pro Tools Reviews Little Giant Leveler Ladder Review on Pro Tool Reviews authored by Kenny Koehler;https://Awww.protoolreviews.com/little-giant-leveler-ladder-review; dated April 16, 2018