



US00D915620S

(12) **United States Design Patent** (10) **Patent No.:** **US D915,620 S**
Yang (45) **Date of Patent:** **** Apr. 6, 2021**

(54) **STEP HANDRAIL FOR SCAFFOLDS**

(71) Applicant: **NIKKEN LEASE KOGYO CO., LTD.**, Tokyo (JP)

(72) Inventor: **Jongduk Yang**, Yeongcheon-si (KR)

(73) Assignee: **NIKKEN LEASE KOGYO CO., LTD.**, Tokyo (JP)

(**) Term: **15 Years**

(21) Appl. No.: **29/644,111**

(22) Filed: **Apr. 13, 2018**

(30) **Foreign Application Priority Data**

Jan. 10, 2018 (KR) 30-2018-0001510

(51) **LOC (13) Cl.** **25-02**

(52) **U.S. Cl.**
USPC **D25/38.1**

(58) **Field of Classification Search**
USPC D25/35, 38.1, 39, 41.1, 42-45, 48.8, D25/61-68, 199; 182/138, 113; 256/59, 256/67, 65.01, 65.03
CPC . E01F 15/143; E01F 15/0423; E01F 15/0453; E01F 9/669; E01F 15/148; E01F 9/646; E04G 21/3204; E04G 21/3242; E04G 21/3247; E04G 5/14
See application file for complete search history.

(56) **References Cited**

U.S. PATENT DOCUMENTS

- 5,145,030 A * 9/1992 Pavlescak E04G 5/14 182/113
- 5,351,784 A * 10/1994 Sung E04G 5/00 182/138
- 5,385,215 A * 1/1995 Williams E04G 1/14 182/113
- D387,180 S * 12/1997 Meadows D25/66
- 6,279,880 B1 * 8/2001 Hawks, Jr. E04G 21/3219 256/67

- D484,617 S * 12/2003 Micheals D25/131
- D512,516 S * 12/2005 Thurston D25/38.1
- 8,448,923 B1 * 5/2013 Schad E04G 21/3242 256/59
- 8,632,056 B1 * 1/2014 Roberts E04G 21/3219 182/113

* cited by examiner

Primary Examiner — Gino Colan

(74) *Attorney, Agent, or Firm* — Seed IP Law Group LLP

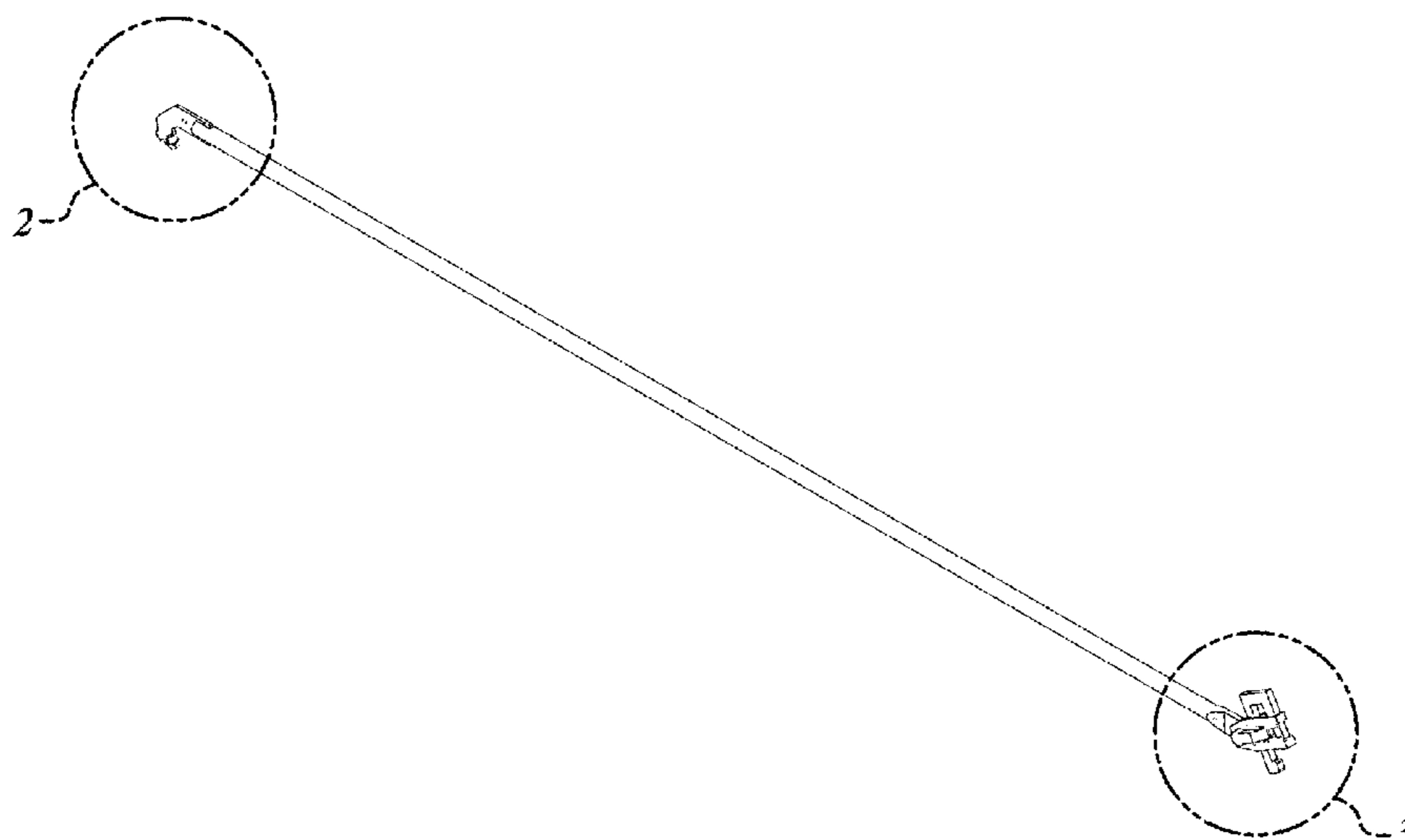
(57) **CLAIM**

The ornamental design for a step handrail for scaffolds, as shown and described.

DESCRIPTION

FIG. 1 is an isometric view of a step handrail for scaffolds showing my new design.
 FIG. 2 is a detail view of a first end thereof.
 FIG. 3 is a detail view of a second end thereof.
 FIG. 4 is a front elevational view thereof.
 FIG. 5 is a detail view of the first end thereof.
 FIG. 6 is a detail view of the second end thereof.
 FIG. 7 is a rear elevational view thereof.
 FIG. 8 is a detail view of the second end thereof.
 FIG. 9 is a detail view of the first end thereof.
 FIG. 10 is a left side elevational view thereof.
 FIG. 11 is a detail view thereof.
 FIG. 12 is a right side elevational view thereof.
 FIG. 13 is a detail view thereof.
 FIG. 14 is a top plan view thereof.
 FIG. 15 is a detail view of the first end thereof.
 FIG. 16 is a detail view of the second end thereof.
 FIG. 17 is a bottom plan view thereof.
 FIG. 18 is a detail view of the first end thereof; and,
 FIG. 19 is a detail view of the second end thereof.
 The broken lines shown in the figures are included for the purpose of illustrating portions of the step handrail for scaffolds and form no part of the claimed design.

1 Claim, 6 Drawing Sheets



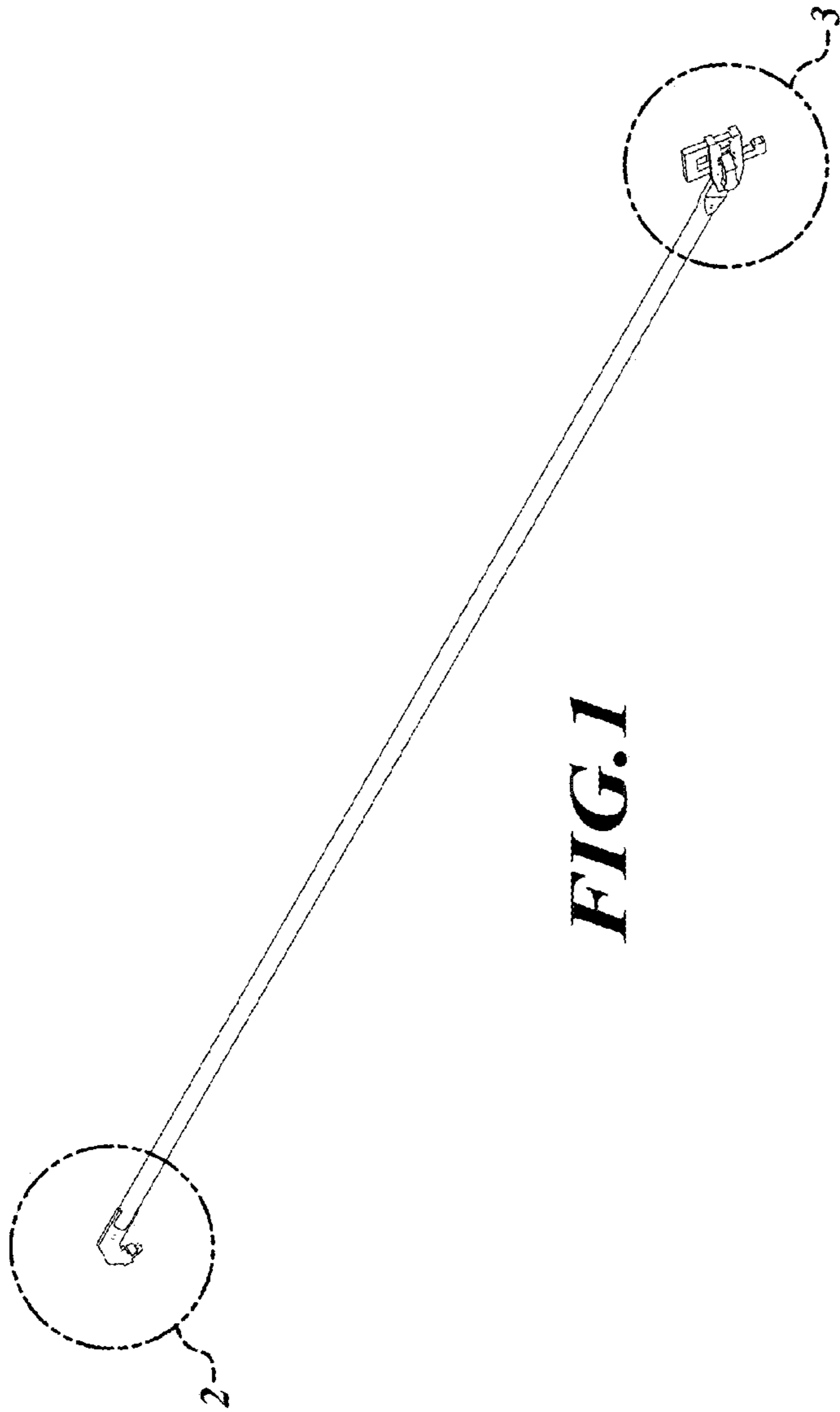


FIG. 1

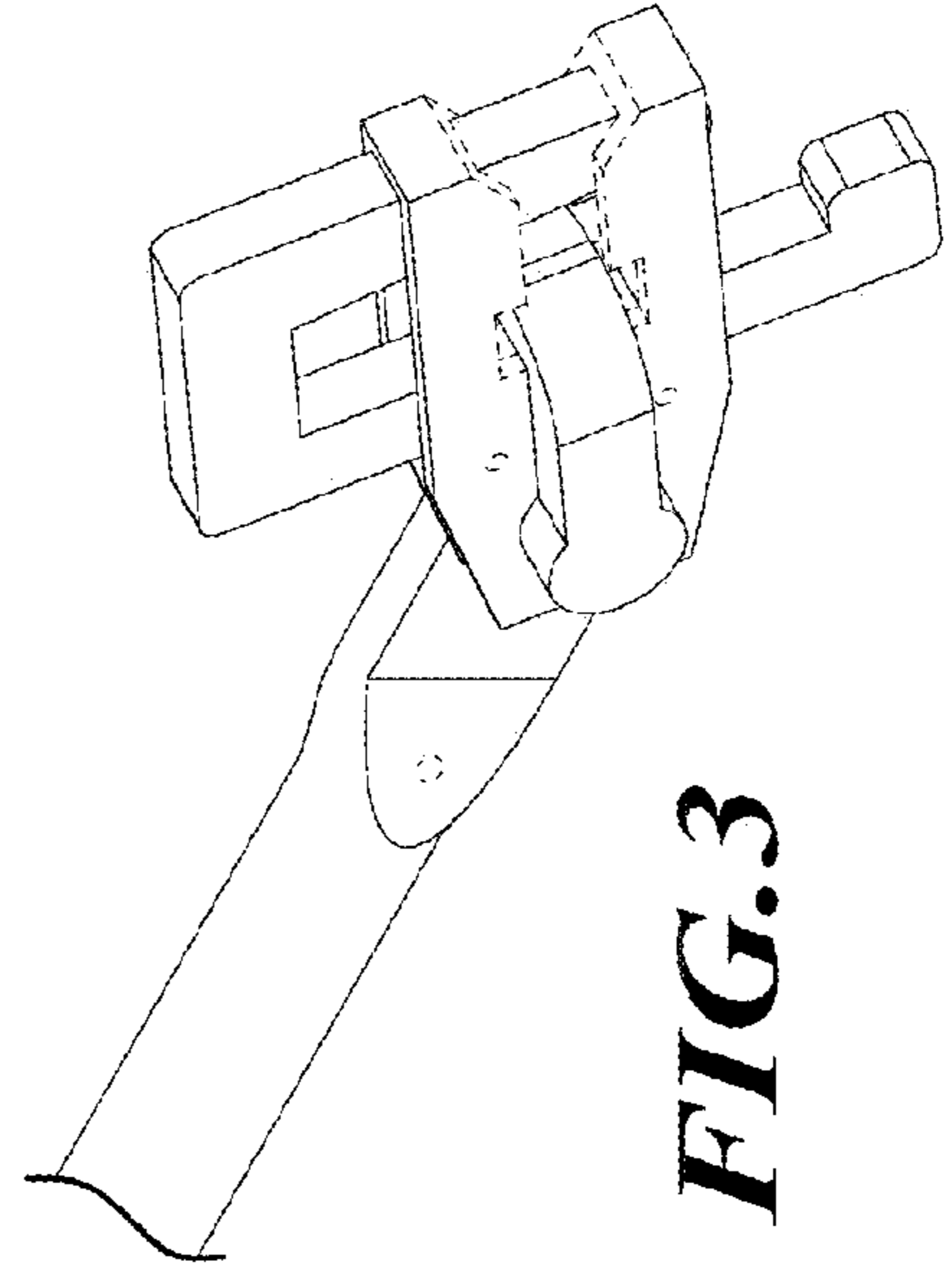


FIG. 3

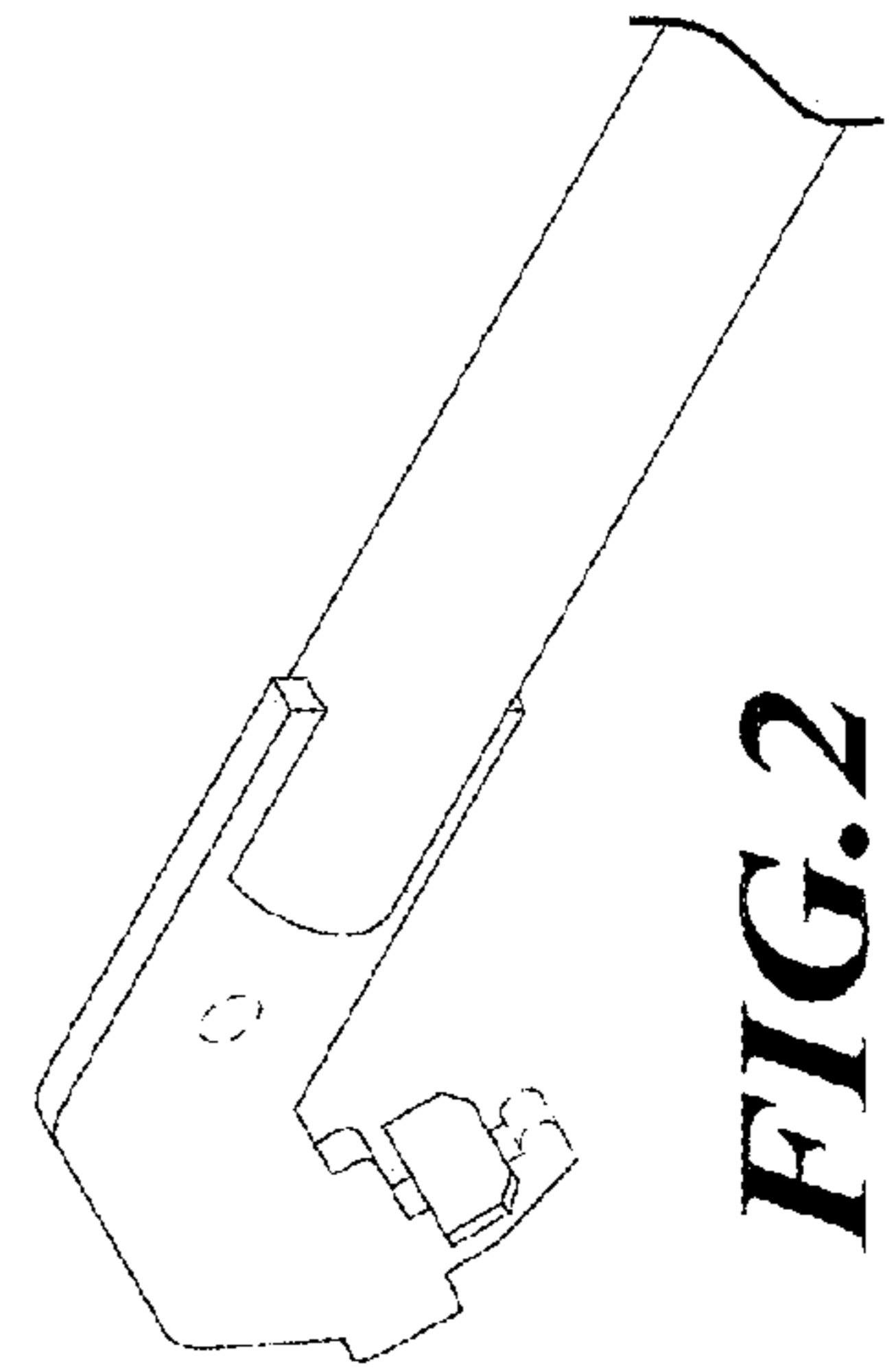


FIG. 2



FIG. 4

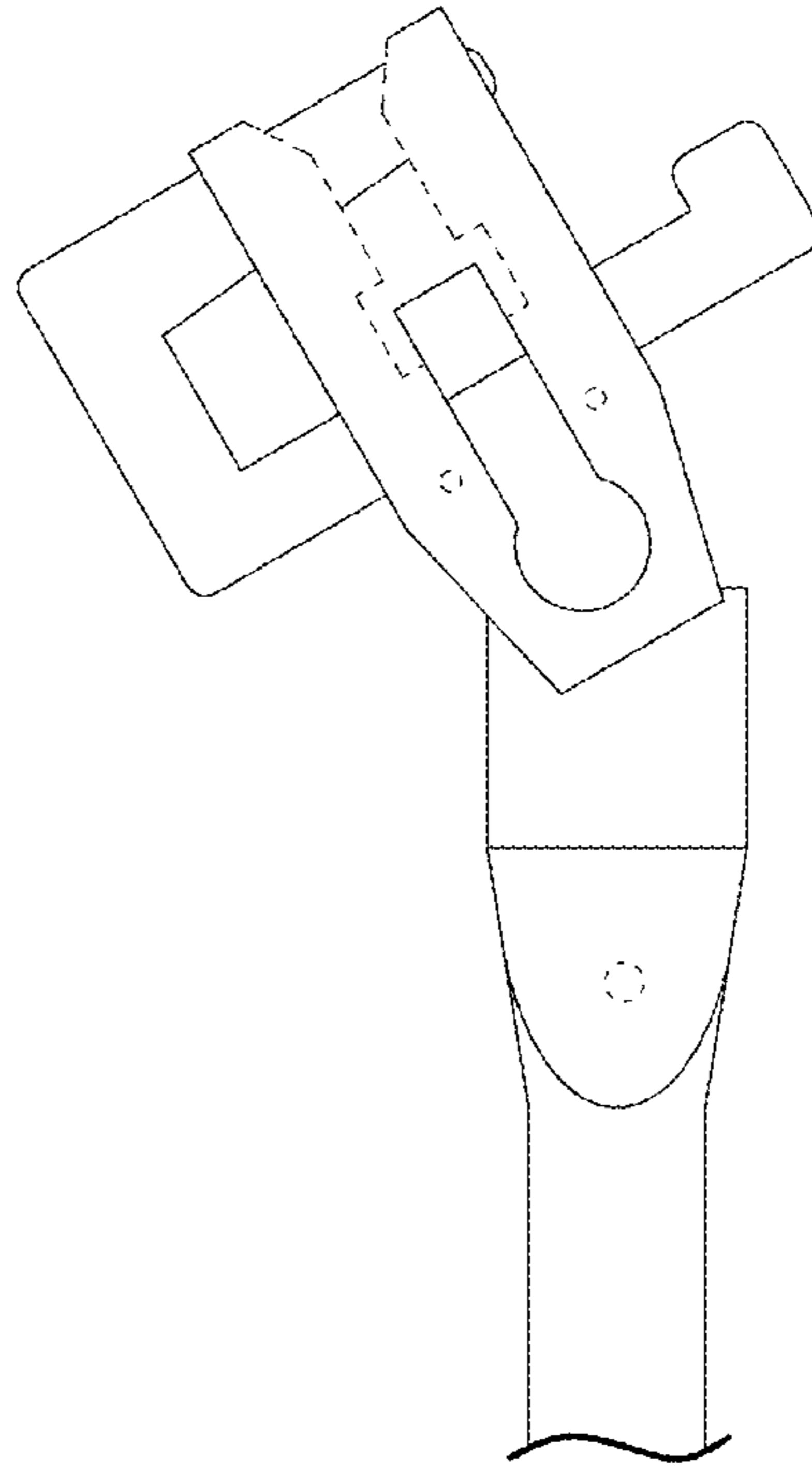


FIG. 6

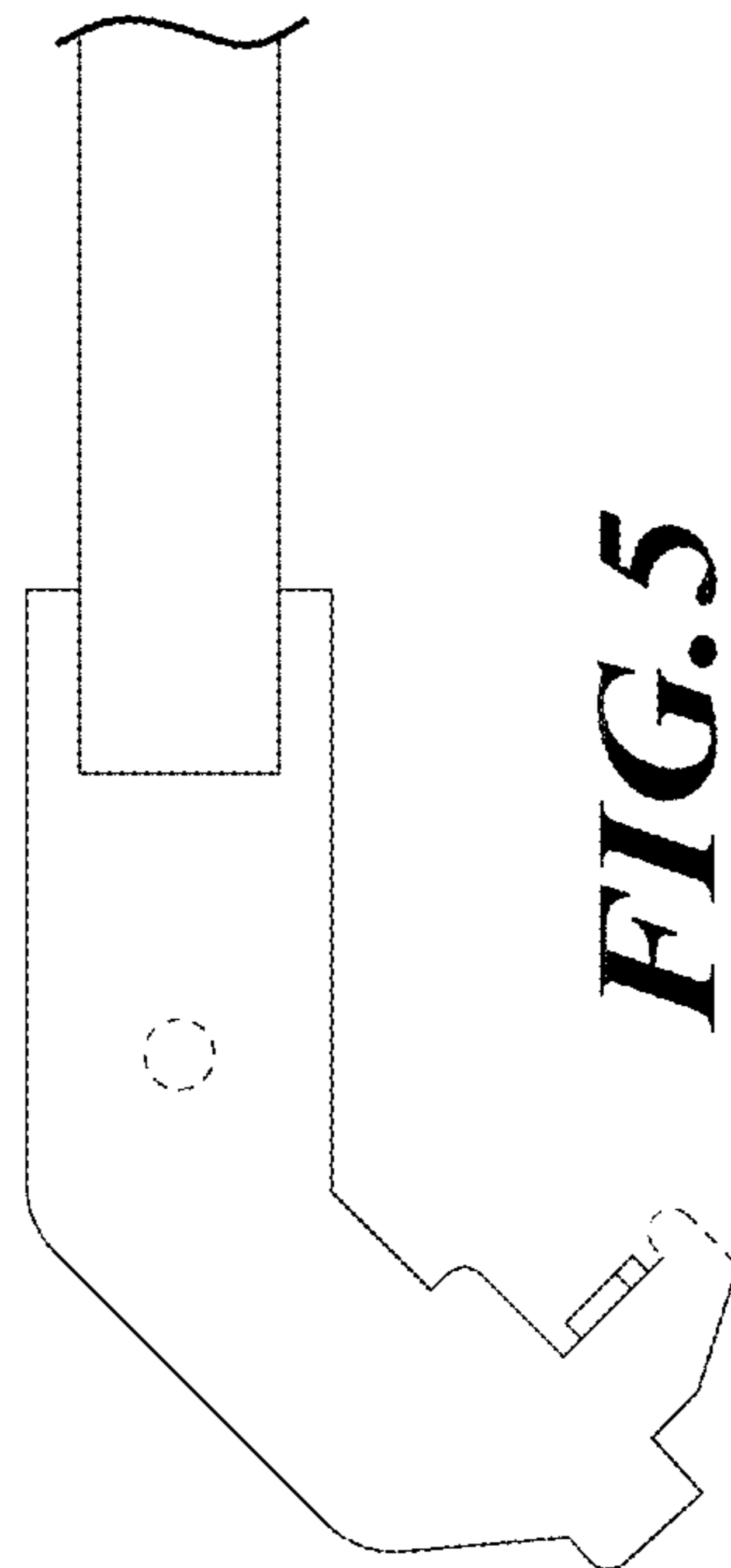


FIG. 5



FIG. 7

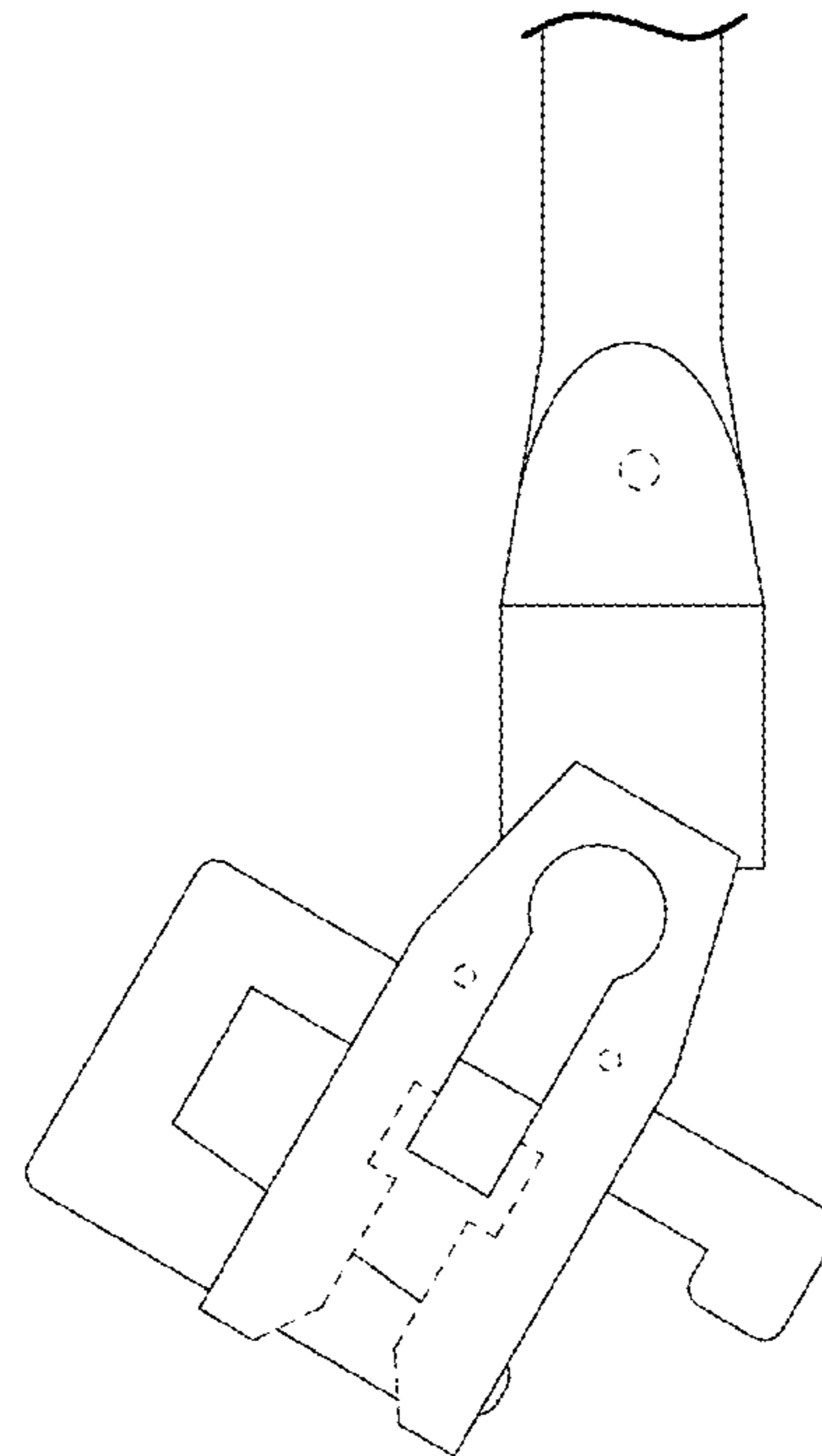


FIG. 8

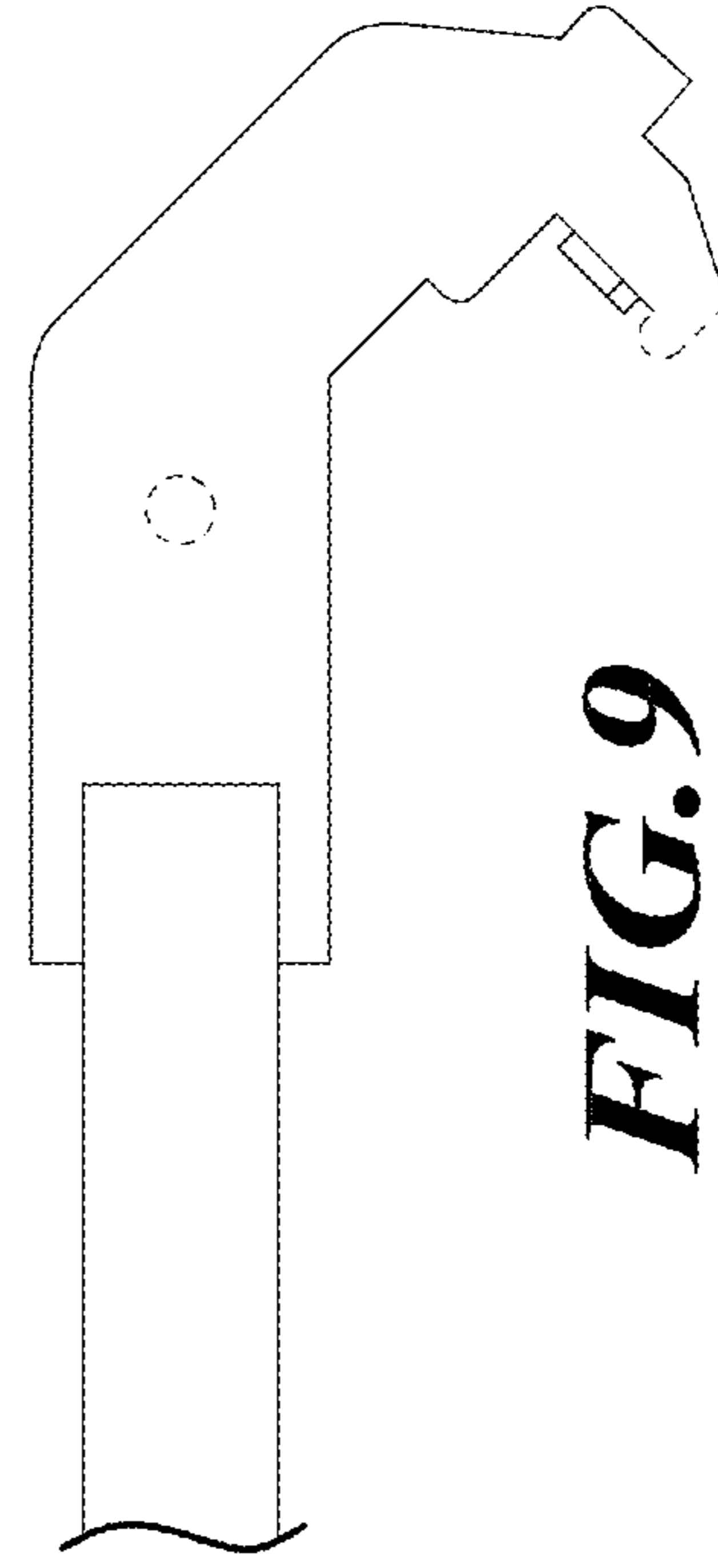


FIG. 9

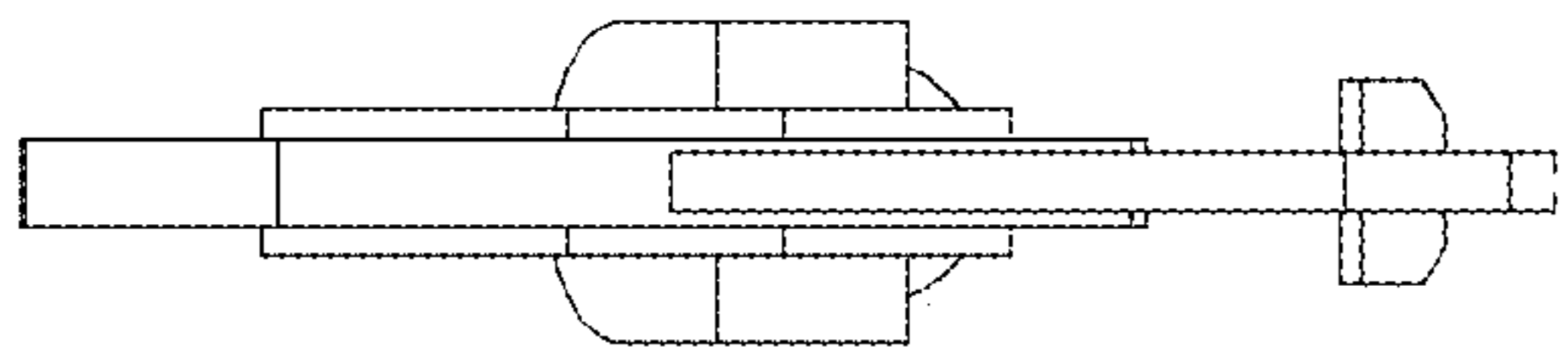


FIG. 11

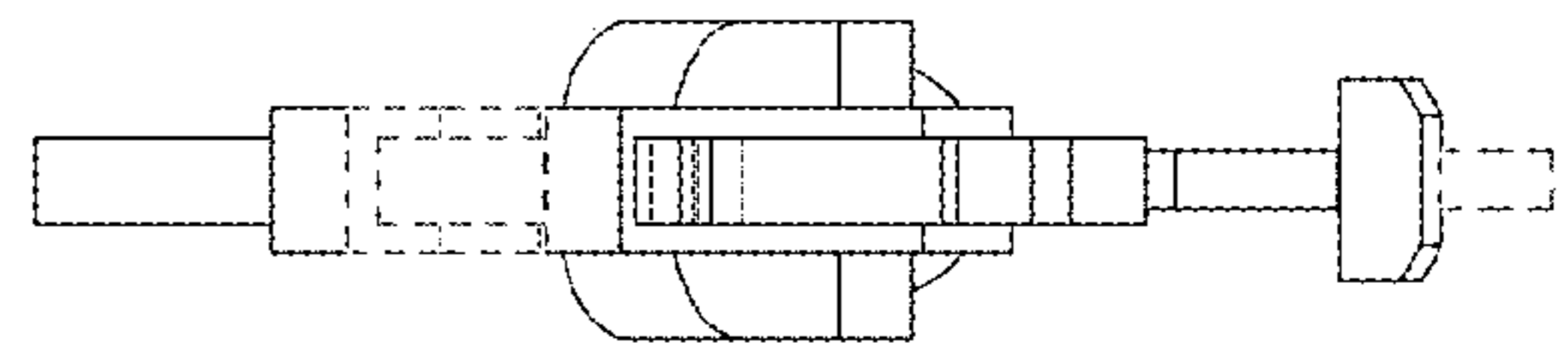


FIG. 13

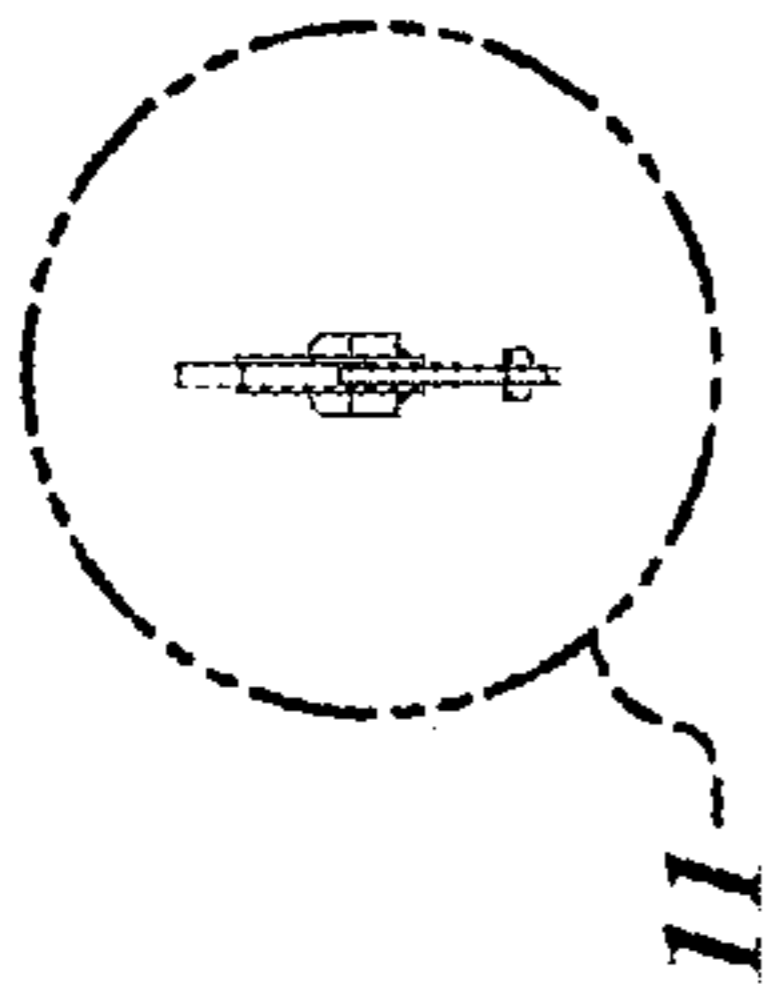


FIG. 10

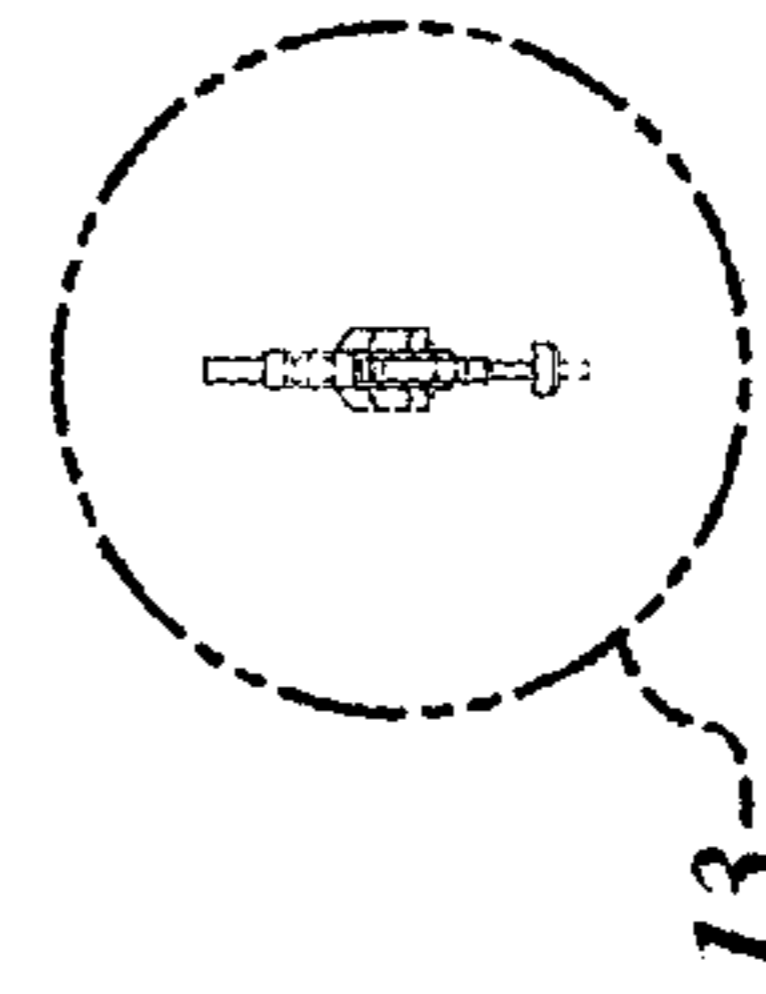


FIG. 12



FIG. 14



FIG. 15

FIG. 16

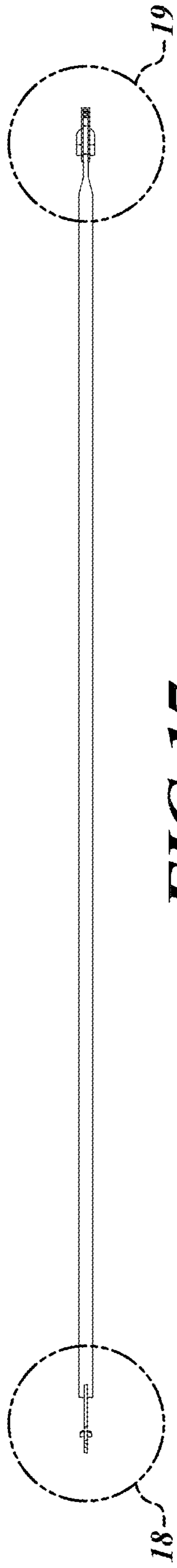


FIG. 17



FIG. 18

FIG. 19