



US00D915619S

(12) **United States Design Patent**
Hakoda

(10) **Patent No.:** **US D915,619 S**

(45) **Date of Patent:** **** Apr. 6, 2021**

(54) **FLOW CYTOMETER**

(71) Applicant: **SONY CORPORATION**, Tokyo (JP)

(72) Inventor: **Katsuhisa Hakoda**, Kanagawa (JP)

(73) Assignee: **SONY CORPORATION**, Tokyo (JP)

(**) Term: **15 Years**

(21) Appl. No.: **29/717,252**

(22) Filed: **Dec. 16, 2019**

(30) **Foreign Application Priority Data**

Jun. 21, 2019 (JP) D2019-013763

(51) **LOC (13) Cl.** **24-01**

(52) **U.S. Cl.**
USPC **D24/232**

(58) **Field of Classification Search**
USPC D24/107, 185, 186, 216-219, 231-234;
D10/81, 96, 97

CPC G01N 2035/00306; G01N 2035/00326;
G01N 2035/00336; G01N 2030/027;
G01N 21/6458; G01N 21/6484; G01N
21/6486; G01N 21/76; G01N 15/1404;
G01N 15/1425; G01N 15/1434

See application file for complete search history.

(56) **References Cited**

U.S. PATENT DOCUMENTS

D643,130 S * 8/2011 Oonuma D24/232
D687,561 S * 8/2013 Iseki D24/216
D693,939 S * 11/2013 Iseki D24/216
D738,243 S * 9/2015 Selberg D24/232
D746,433 S * 12/2015 Smith D24/107
D766,119 S * 9/2016 Shallice D14/486

D773,071 S 11/2016 Hakoda
D805,933 S * 12/2017 Hall D24/232
D878,625 S * 3/2020 Sakai D24/232
2017/0138835 A1 * 5/2017 Wilson G01N 15/1404
2018/0284008 A1 * 10/2018 Kinishi G01N 15/1425

* cited by examiner

Primary Examiner — Anhdao Doan

(74) *Attorney, Agent, or Firm* — Michael Best and Friedrich LLP

(57) **CLAIM**

The ornamental design for a flow cytometer, as shown and described.

DESCRIPTION

FIG. 1 is a perspective view of a flow cytometer showing our new design;

FIG. 2 is a front elevational view thereof; a right side elevational view thereof;

FIG. 3 is a top plan view thereof; and

FIG. 4 is a bottom plan view thereof.

FIG. 5 is a partially enlarged perspective view thereof along the lines 5-5 and 5'-5' of FIG. 1;

FIG. 6 is a partially enlarged front elevational view along the lines 6-6 and 6'-6' of FIG. 2;

FIG. 7 is a partially enlarged front elevational view along the lines 7-7 and 7'-7' of FIG. 2;

FIG. 8 is a partially enlarged top plan view along the lines 8-8 of FIG. 3; and,

FIG. 9 is a partially enlarged bottom plan view along the lines 9-9 of FIG. 4.

The broken lines illustrating portions of the flow cytometer form no part of the claimed design. The dot-dash broken lines defining the boundaries of the claimed design form no part of the claimed design. The inside portions within the dot-dash broken lines form no part of the claimed design.

1 Claim, 6 Drawing Sheets

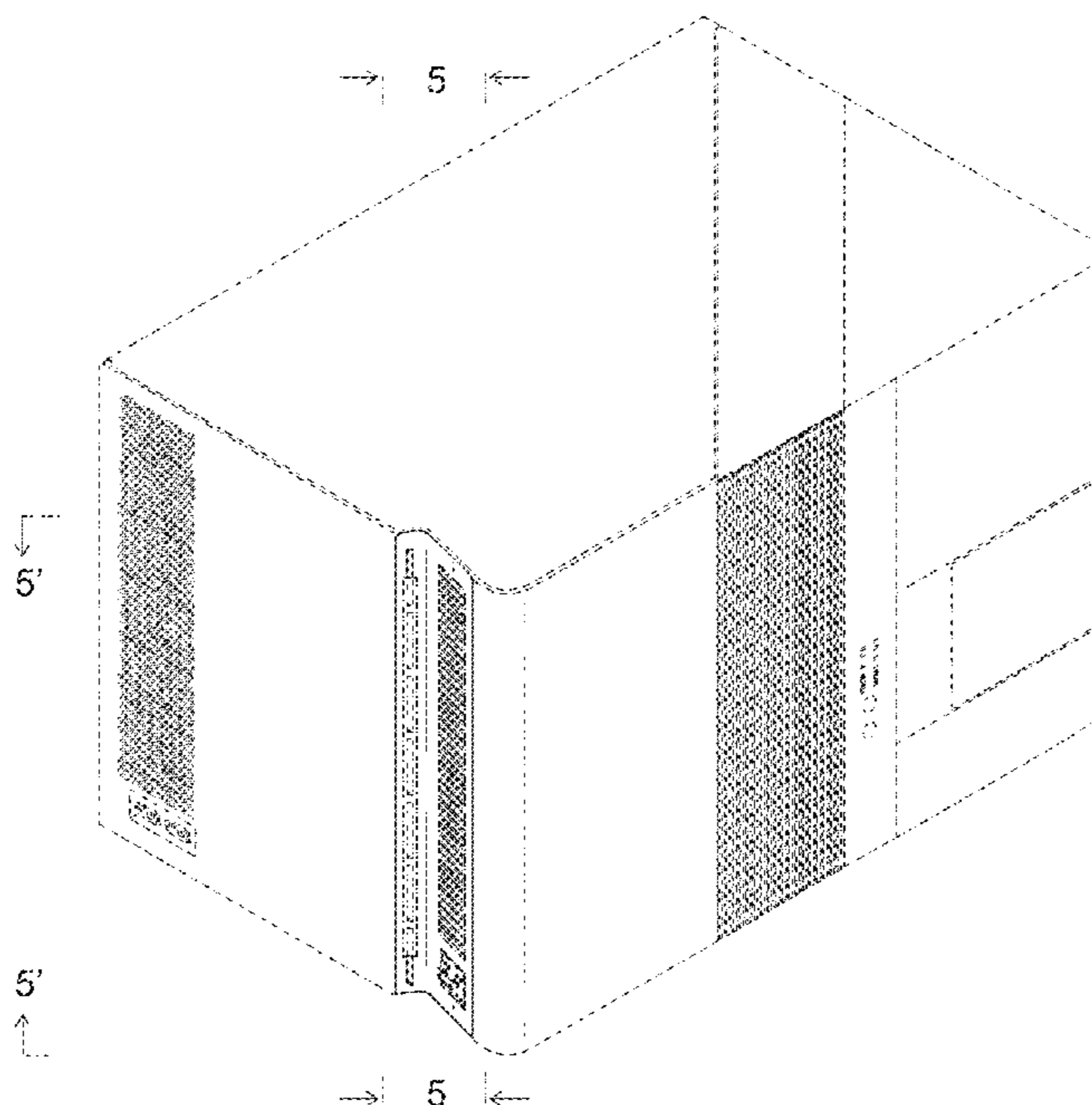


FIG.1

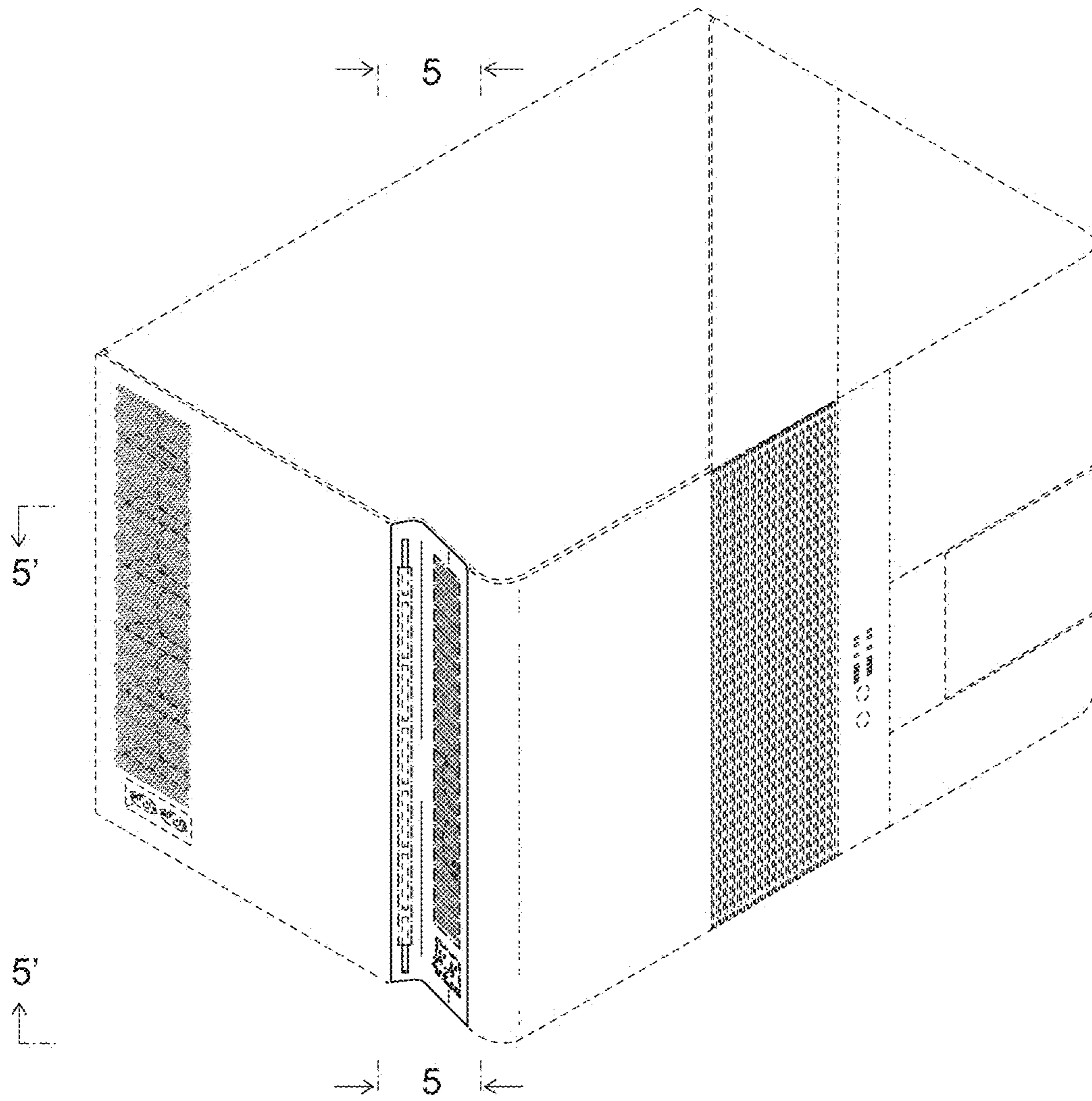


FIG.2

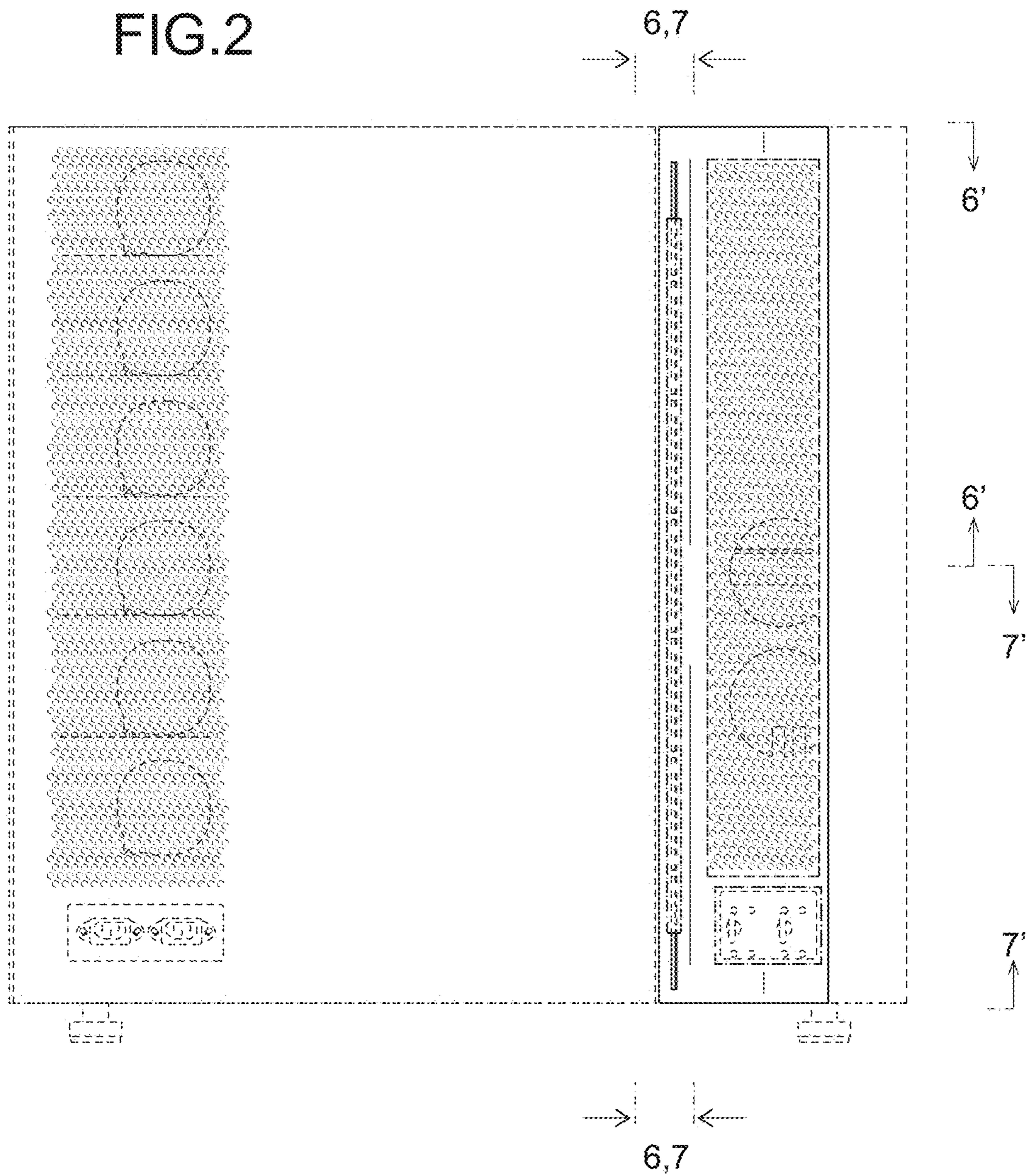


FIG.3

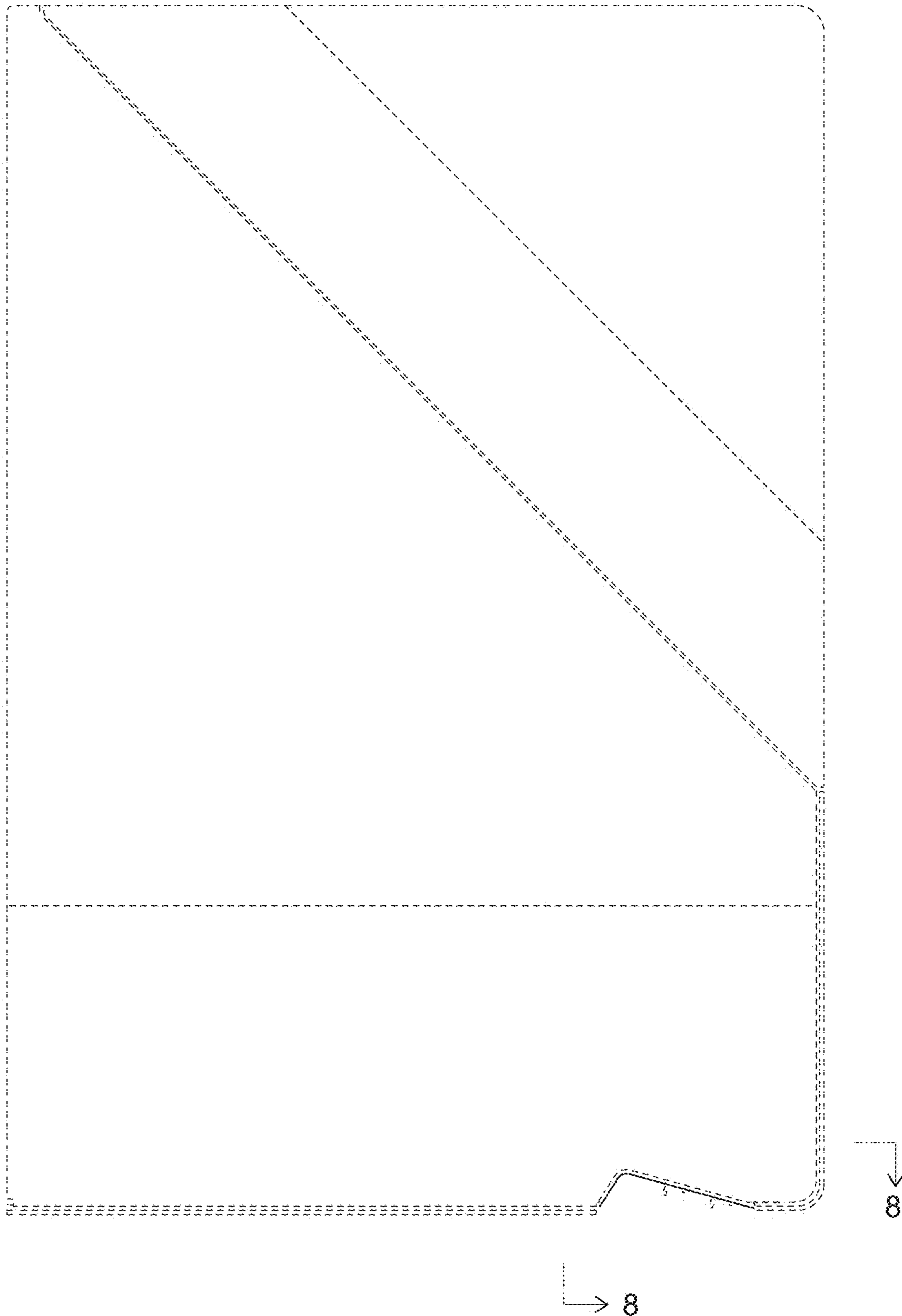


FIG.4

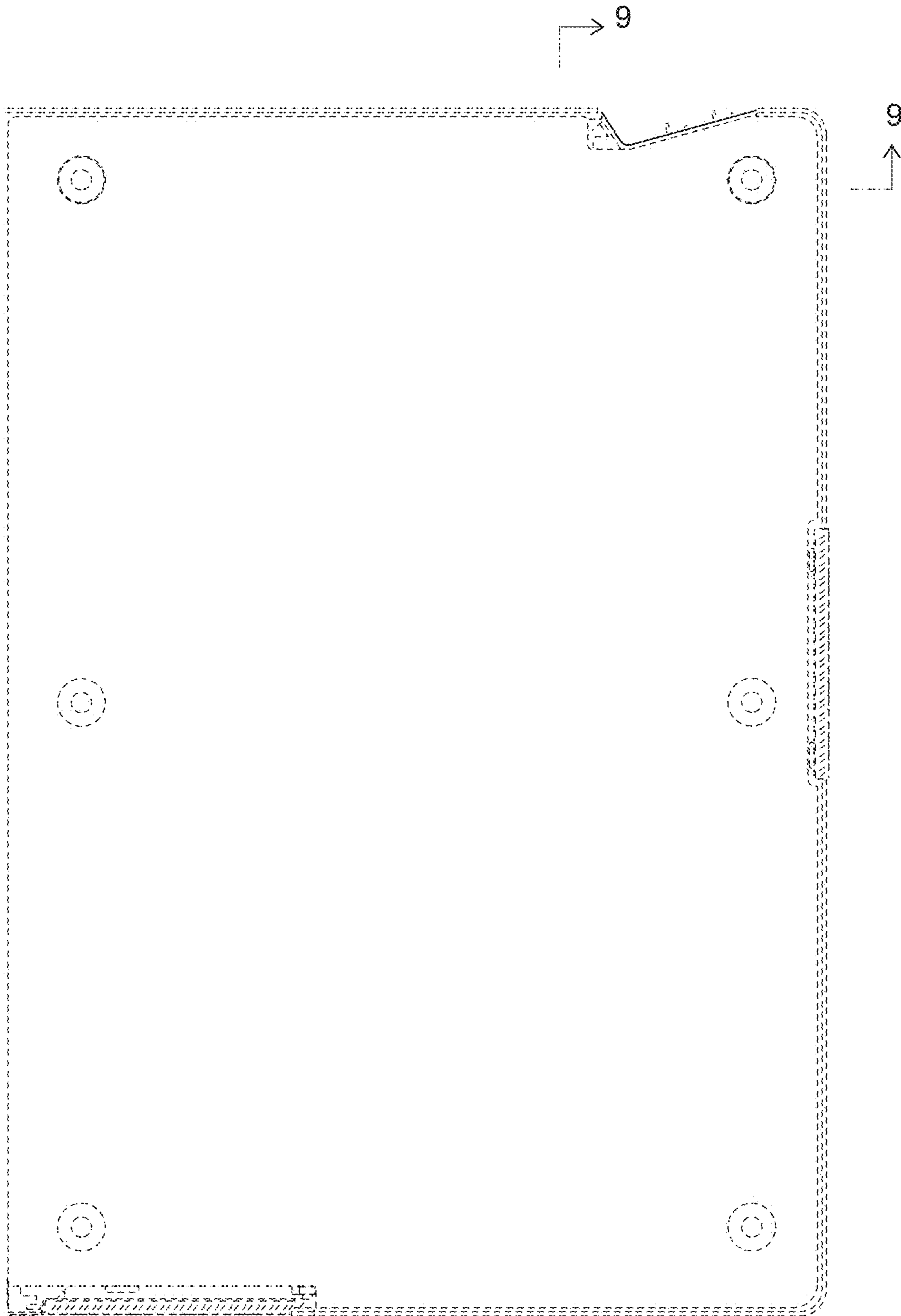


FIG.5

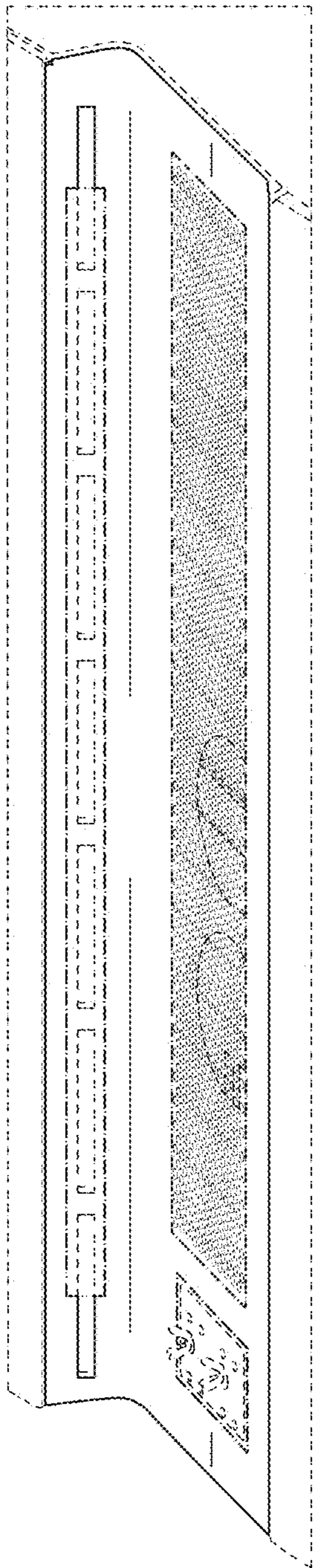


FIG.6

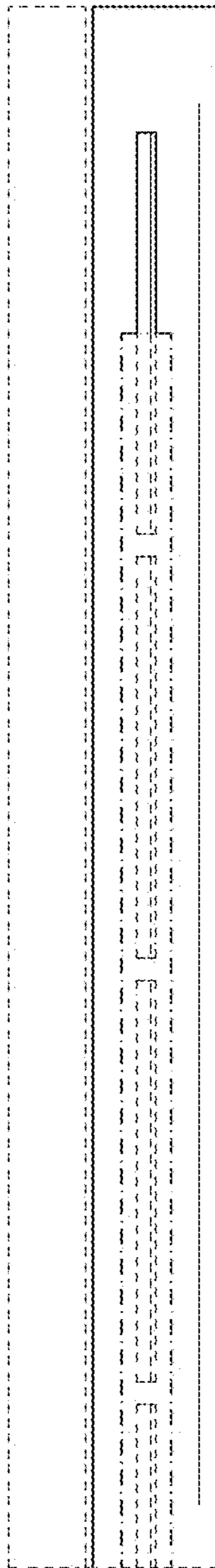


FIG.7

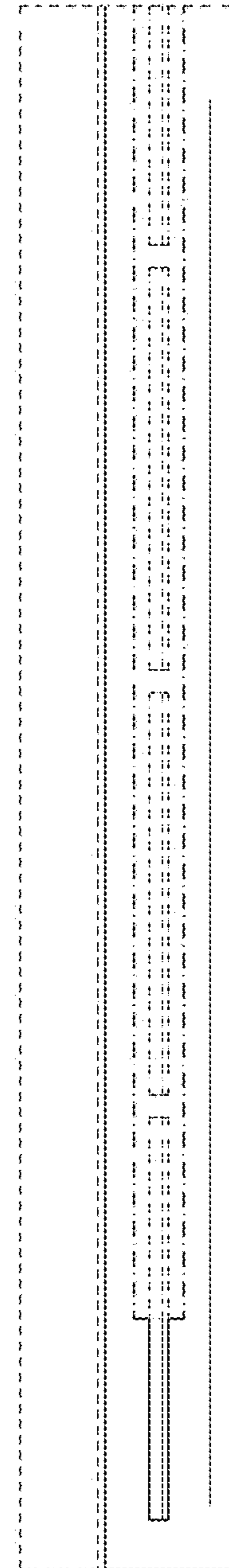


FIG.8

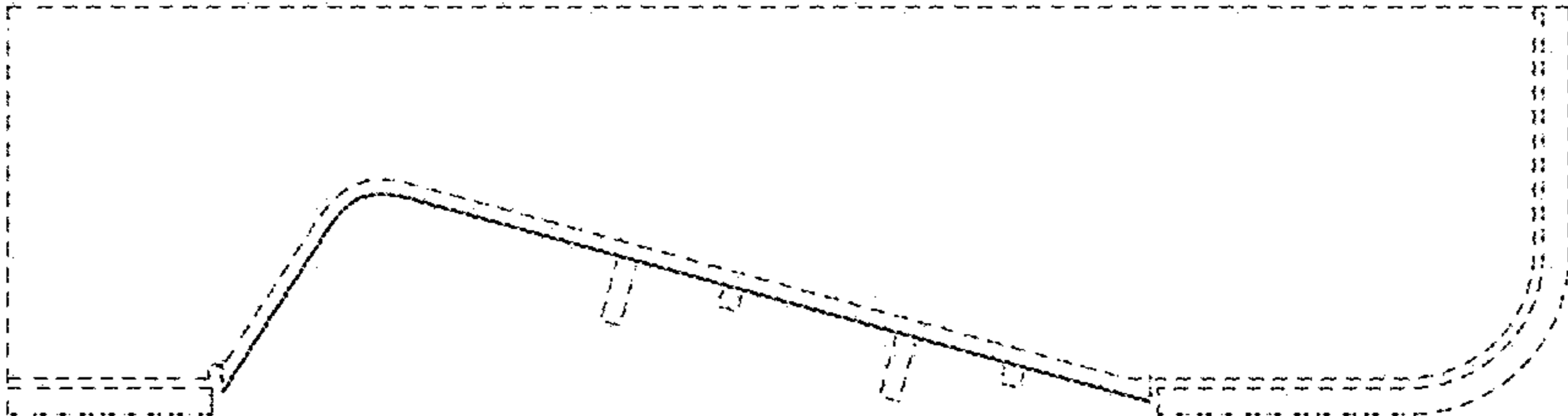


FIG.9

