

US00D915618S

(12) **United States Design Patent** (10) **Patent No.:** **US D915,618 S**
Heron (45) **Date of Patent:** **** Apr. 6, 2021**

(54) **MEDICAL TEST CARD**
(71) Applicant: **TESTCARD LTD.**, Scarborough (GB)
(72) Inventor: **Luke Heron**, Brampton by Sawdon (GB)
(73) Assignee: **TESTCARD LTD**, Scarborough (GB)
(**) Term: **15 Years**
(21) Appl. No.: **29/680,978**
(22) Filed: **Feb. 21, 2019**
(51) **LOC (13) Cl.** **24-02**
(52) **U.S. Cl.**
USPC **D24/226; D24/223**
(58) **Field of Classification Search**
USPC D24/107, 186, 216, 223-233; D10/81
CPC B01L 3/5027; B01L 3/502707; B01L 9/52;
B01L 3/502
See application file for complete search history.

D461,906 S * 8/2002 Pham D24/225
D462,125 S * 8/2002 Pham D24/225
D596,753 S * 7/2009 LaStella D24/216
D598,121 S * 8/2009 LaStella D24/216
D600,812 S * 9/2009 Lei D24/169
D680,227 S * 4/2013 Berg D24/223
D714,955 S * 10/2014 Markovsky D24/223
D720,864 S * 1/2015 Behar D24/223
D735,879 S * 8/2015 Behar D24/223
D758,608 S * 6/2016 Behar D24/223
D792,602 S * 7/2017 Meng D24/216
D847,368 S * 4/2019 Edwards D24/223
D851,274 S * 6/2019 Gomi D24/224

* cited by examiner

Primary Examiner — Susan Bennett Hattan
Assistant Examiner — Omeed Agilee
(74) *Attorney, Agent, or Firm* — Jon E. Gordon; Haug Partners LLP

(57) **CLAIM**

The ornamental design for a medical test card, as shown and described.

(56) **References Cited**

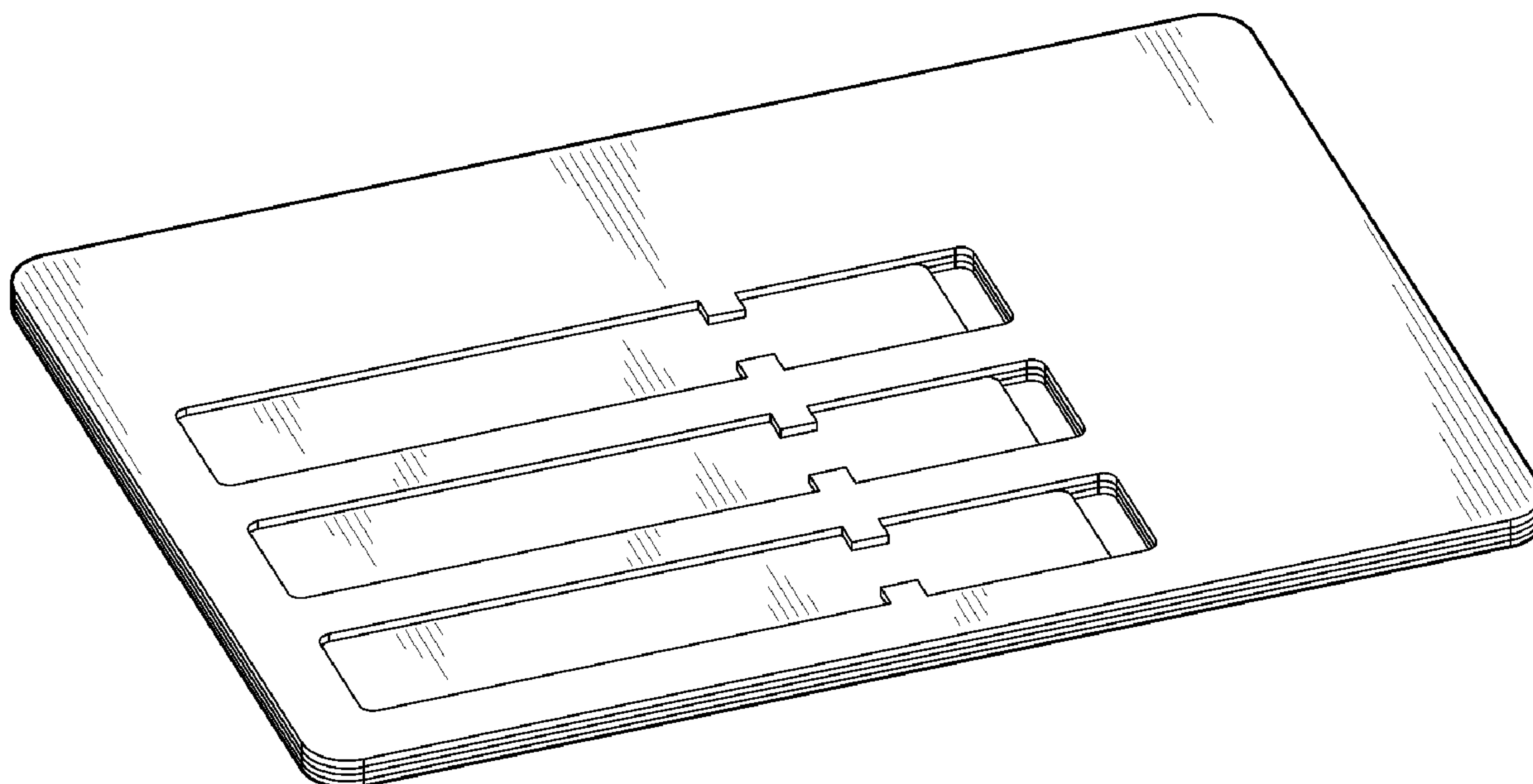
U.S. PATENT DOCUMENTS

D281,903 S * 12/1985 Duffy D24/225
5,304,468 A * 4/1994 Phillips C12Q 1/54
435/14
D404,812 S * 1/1999 Cipkowski D24/107
D423,110 S * 4/2000 Cipkowski D24/223
D430,303 S * 8/2000 Cipkowski D24/226
D456,083 S * 4/2002 Clark D24/225
D456,910 S * 5/2002 Clark D20/22
D461,251 S * 8/2002 Pham D24/225
D461,561 S * 8/2002 Pham D24/225

DESCRIPTION

FIG. 1 is a front perspective view of a medical test card, showing my new design;
FIG. 2 is a rear elevational view thereof;
FIG. 3 is an end elevational view thereof;
FIG. 4 is an end elevational view thereof, opposite that shown in FIG. 3;
FIG. 5 is a left side elevational view thereof; and,
FIG. 6 is a right side elevational view thereof.

1 Claim, 2 Drawing Sheets



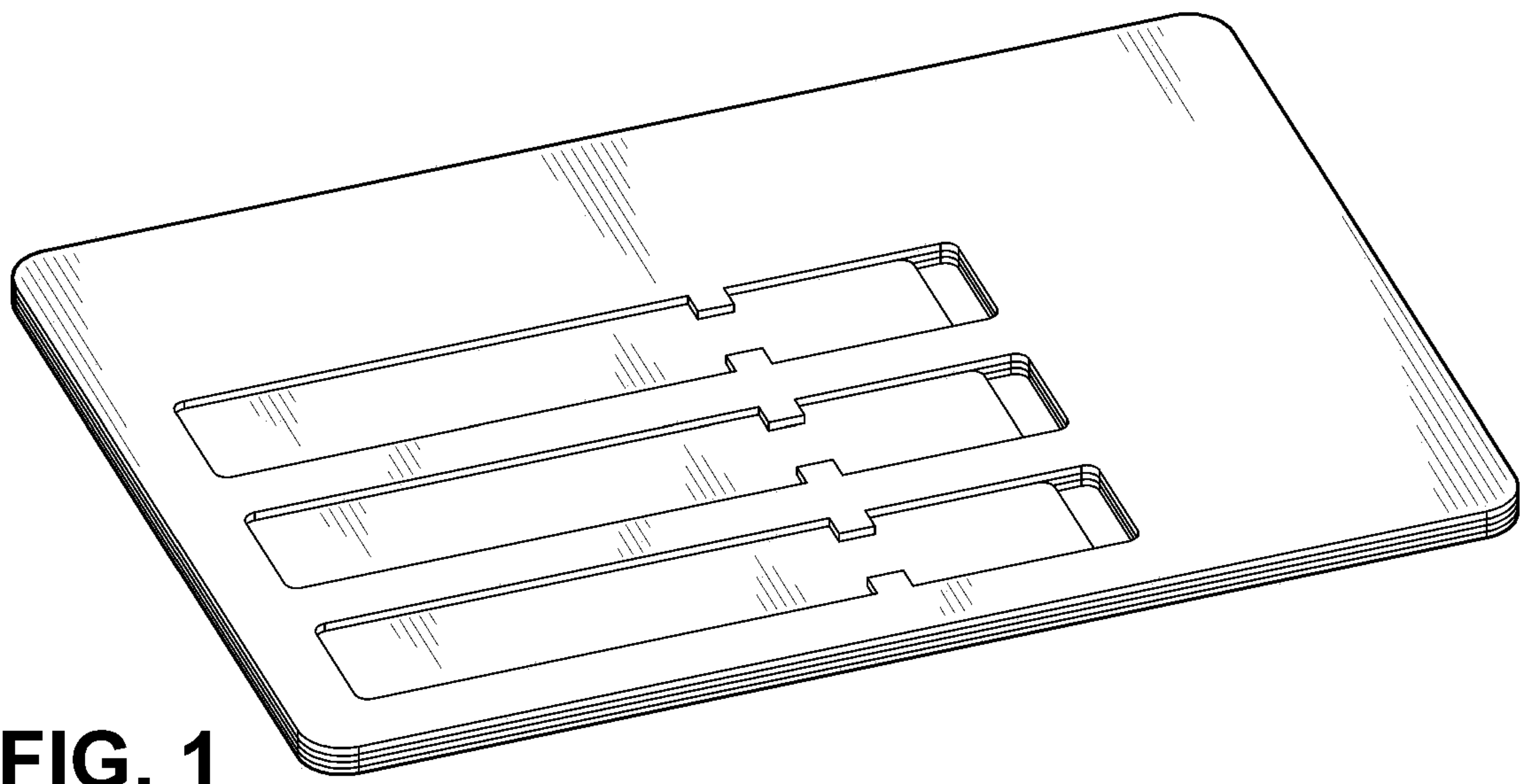


FIG. 1

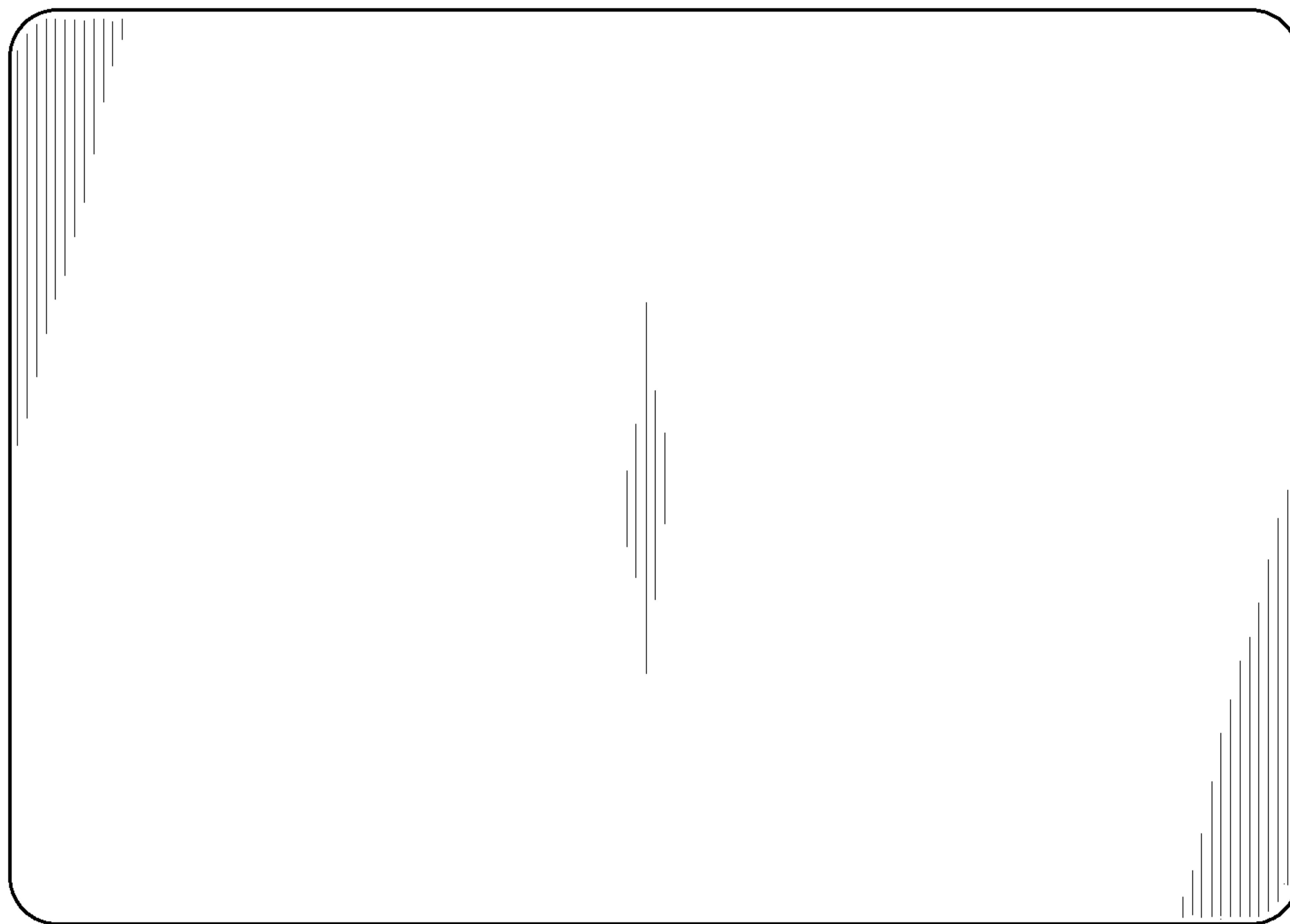


FIG. 2

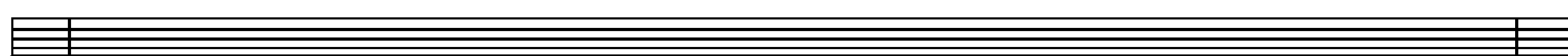


FIG. 3

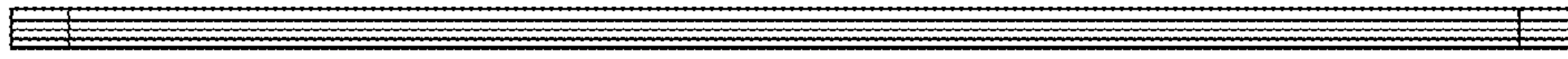


FIG. 4

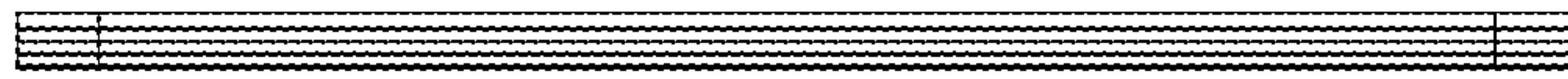


FIG. 5

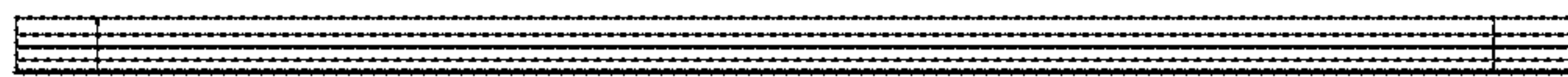


FIG. 6