



US00D915611S

(12) **United States Design Patent** (10) **Patent No.:** **US D915,611 S**  
**Probst et al.** (45) **Date of Patent:** **\*\* Apr. 6, 2021**

(54) **LASER THERAPY DEVICE**

(71) Applicants: **Brian Hullinger Probst**, Provo, UT (US); **Charles Vorwaller**, Parker, CO (US); **Justin Vorwaller**, Provo, UT (US); **Lin Yang**, Wuhan (CN)

(72) Inventors: **Brian Hullinger Probst**, Provo, UT (US); **Charles Vorwaller**, Parker, CO (US); **Justin Vorwaller**, Provo, UT (US); **Lin Yang**, Wuhan (CN)

(\*\*) Term: **15 Years**

(21) Appl. No.: **29/704,422**

(22) Filed: **Sep. 4, 2019**

(51) **LOC (13) Cl.** ..... **28-03**

(52) **U.S. Cl.**  
USPC ..... **D24/200; D24/190**

(58) **Field of Classification Search**  
USPC ..... D24/144, 170, 176-177, 185-186, 209, D24/200

CPC ..... A61N 1/36021; A61N 1/3603; A61N 1/36071; A61N 1/3606; A61N 1/36128; A61N 1/36146; A61N 5/06; A61N 5/0613; A61N 5/0616; A61N 2005/0644

See application file for complete search history.

(56) **References Cited**

**U.S. PATENT DOCUMENTS**

D491,666	S	*	6/2004	Kimmell	.....	D24/170
D502,996	S	*	3/2005	Guenther	.....	D24/200
D504,953	S	*	5/2005	Ryan	.....	D24/200
D603,971	S	*	11/2009	Gonzales	.....	D24/200
D611,160	S	*	3/2010	Fernie	.....	D24/209
D670,386	S	*	11/2012	Yanagawa	.....	D24/144
D674,105	S	*	1/2013	Rundle	.....	D24/200
9,498,640	B2	*	11/2016	Pryor	.....	A61N 5/06
D794,209	S	*	8/2017	Hsieh	.....	D24/200
2019/0151674	A1	*	5/2019	Yoon	.....	A61N 5/06

**OTHER PUBLICATIONS**

980nm Laser Therapy Device for Physical Body Pain Relief. Retrieved on Nov. 17, 2020. Retrieved from the Internet: <URL: <https://aimylin.en.made-in-china.com/product/kNynvHPzCLhp/China-980nm-Laser-Therapy-Device-for-Physical-Body-Pain-Relief.html>>.\*

Low Level Laser Therapy. Retrieved on Nov. 17, 2020. Retrieved from the Internet: <URL: <https://drbesuden.com/low-level-laser-therapy>>.\*

Richmar TheraTouch LX2 Cold Laser Therapy Device + 9 Diode Cluster Applicator. Retrieved on Nov. 17, 2020. Retrieved from the Internet: <URL: <https://www.tenspros.com/richmar-theratouch-lx2-cold-laser-therapy-DQLLLT.html>>.\*

\* cited by examiner

*Primary Examiner* — Wan Laymon

(74) *Attorney, Agent, or Firm* — Thorpe North & Western, LLP; David W. Osborne

(57) **CLAIM**

What is claimed is the ornamental design for a laser therapy device, as shown and described.

**DESCRIPTION**

FIG. 1 is a front perspective view of a laser therapy device of the invention;

FIG. 2 is a left side view thereof;

FIG. 3 is a right side view thereof;

FIG. 4 is a top view thereof;

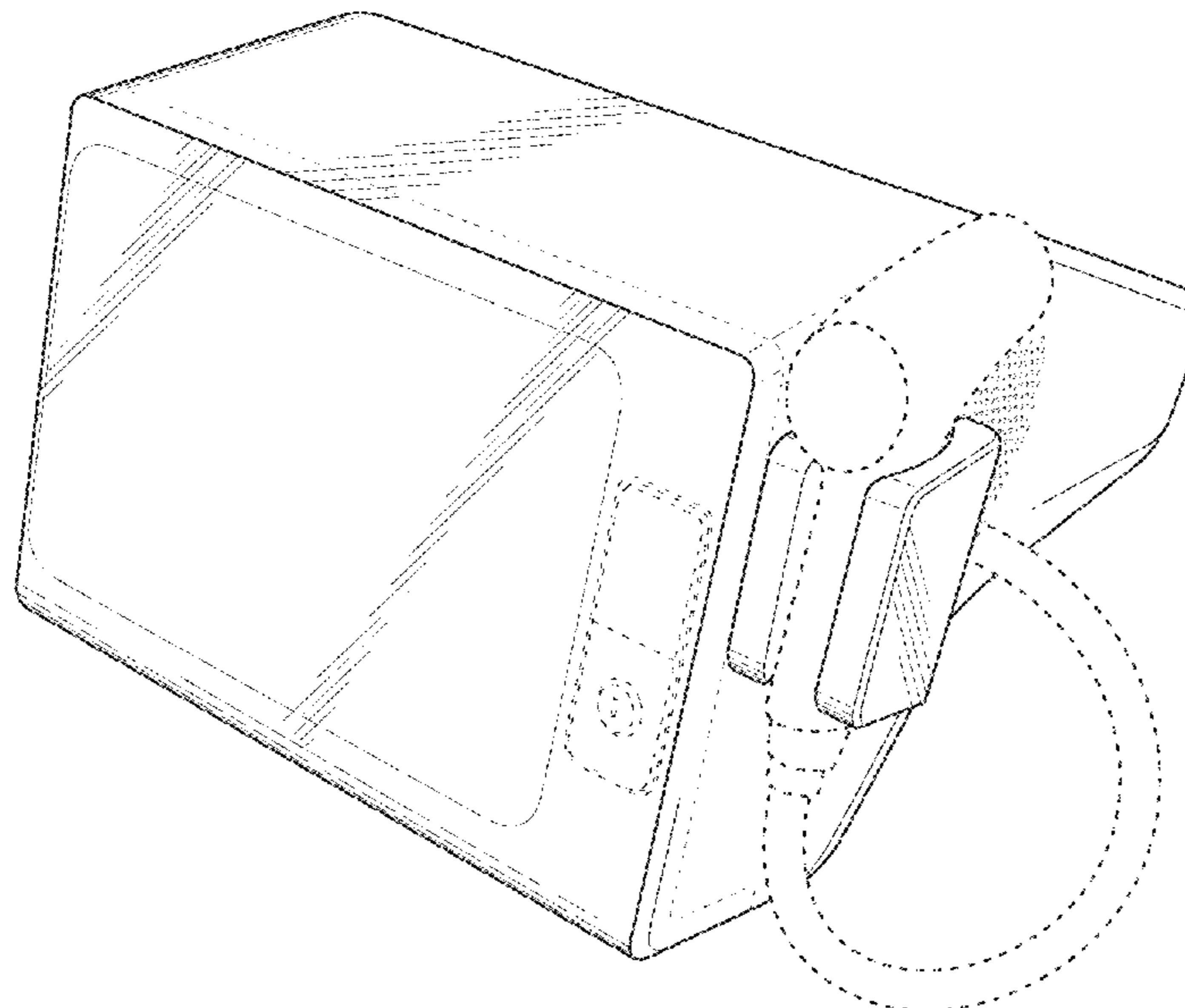
FIG. 5 is a bottom view thereof;

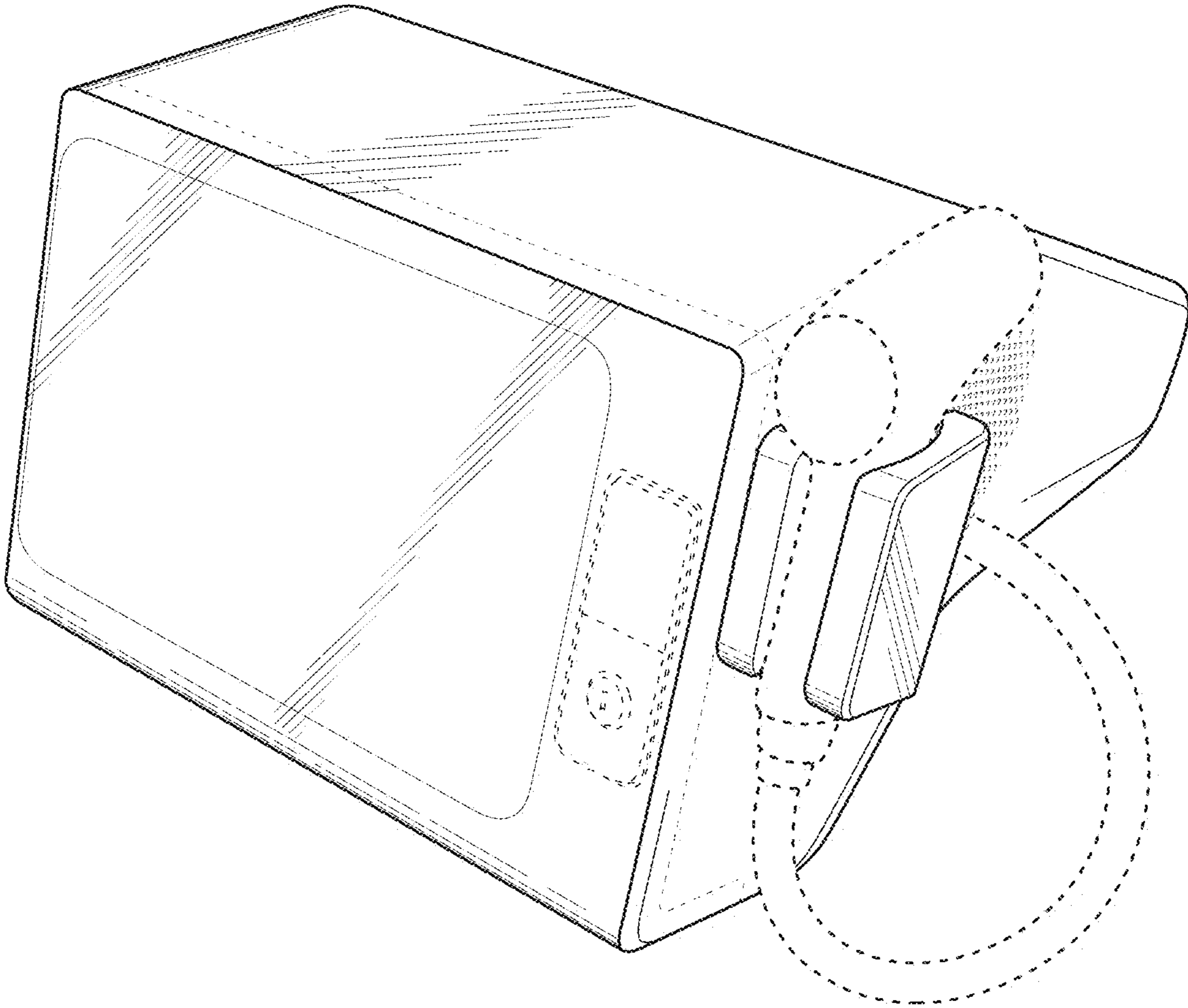
FIG. 6 is front view thereof; and,

FIG. 7 is a back view thereof.

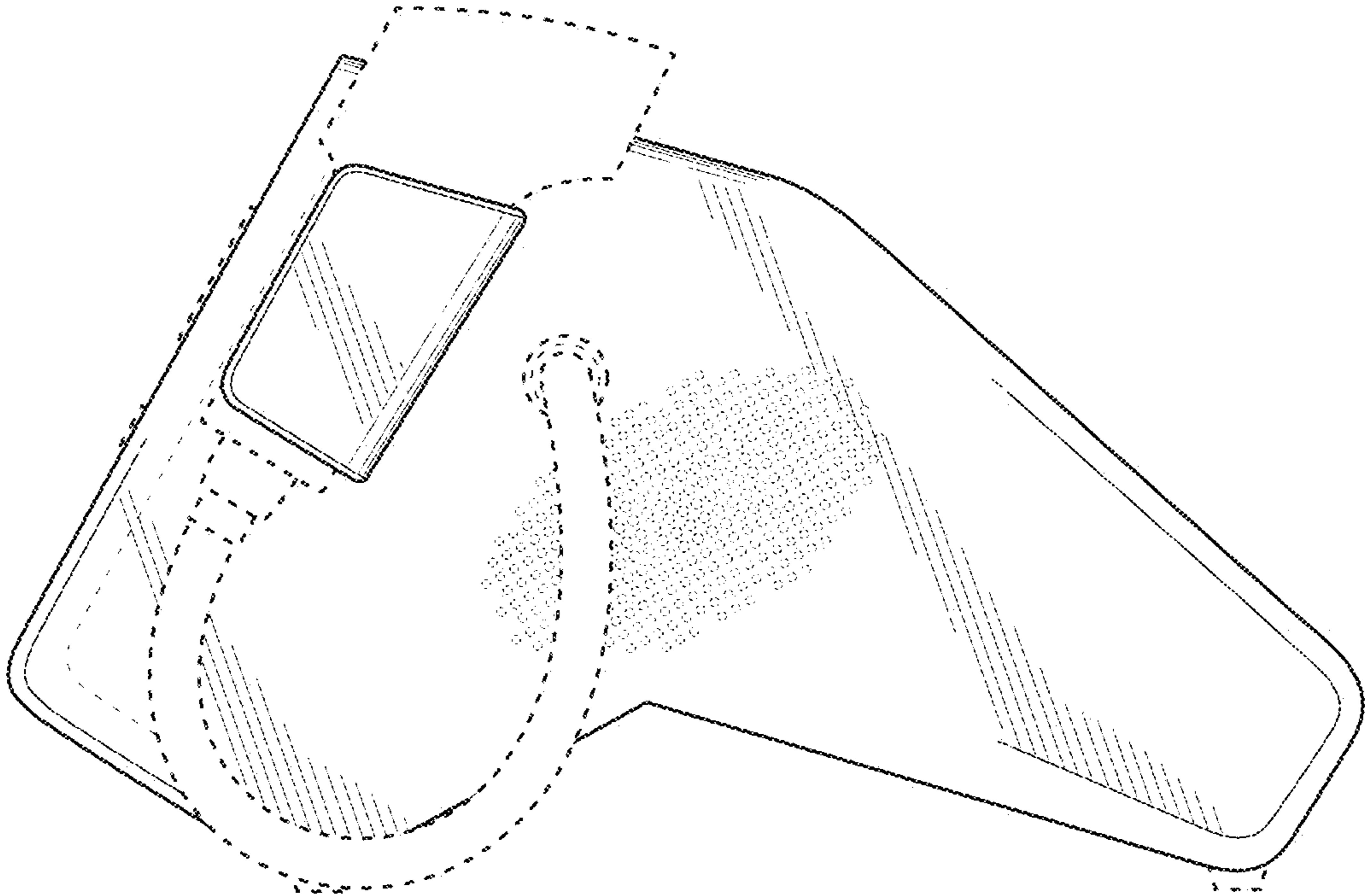
The broken lines illustrate portions of the laser therapy device that form no part of the claimed design.

**1 Claim, 7 Drawing Sheets**

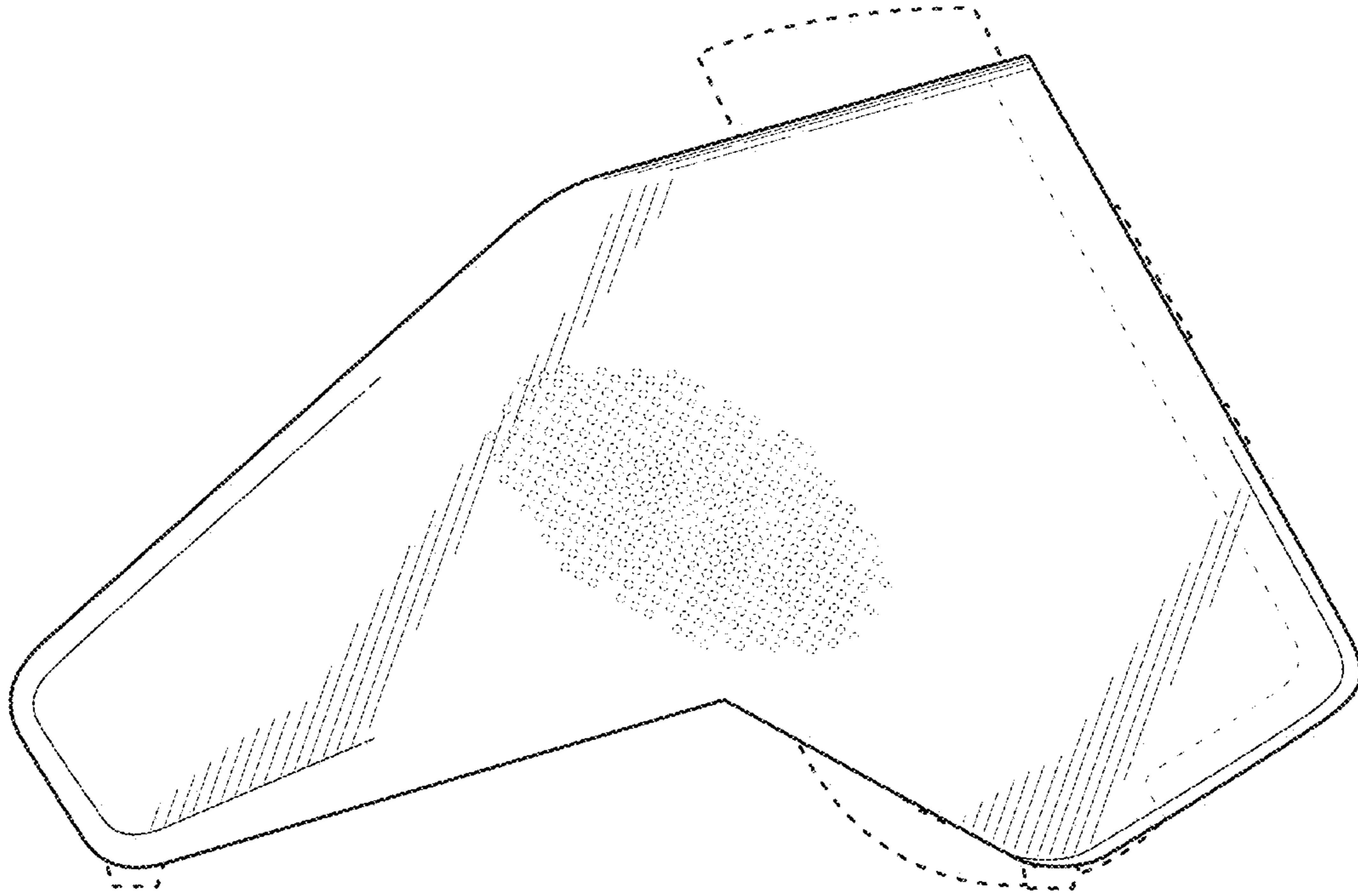




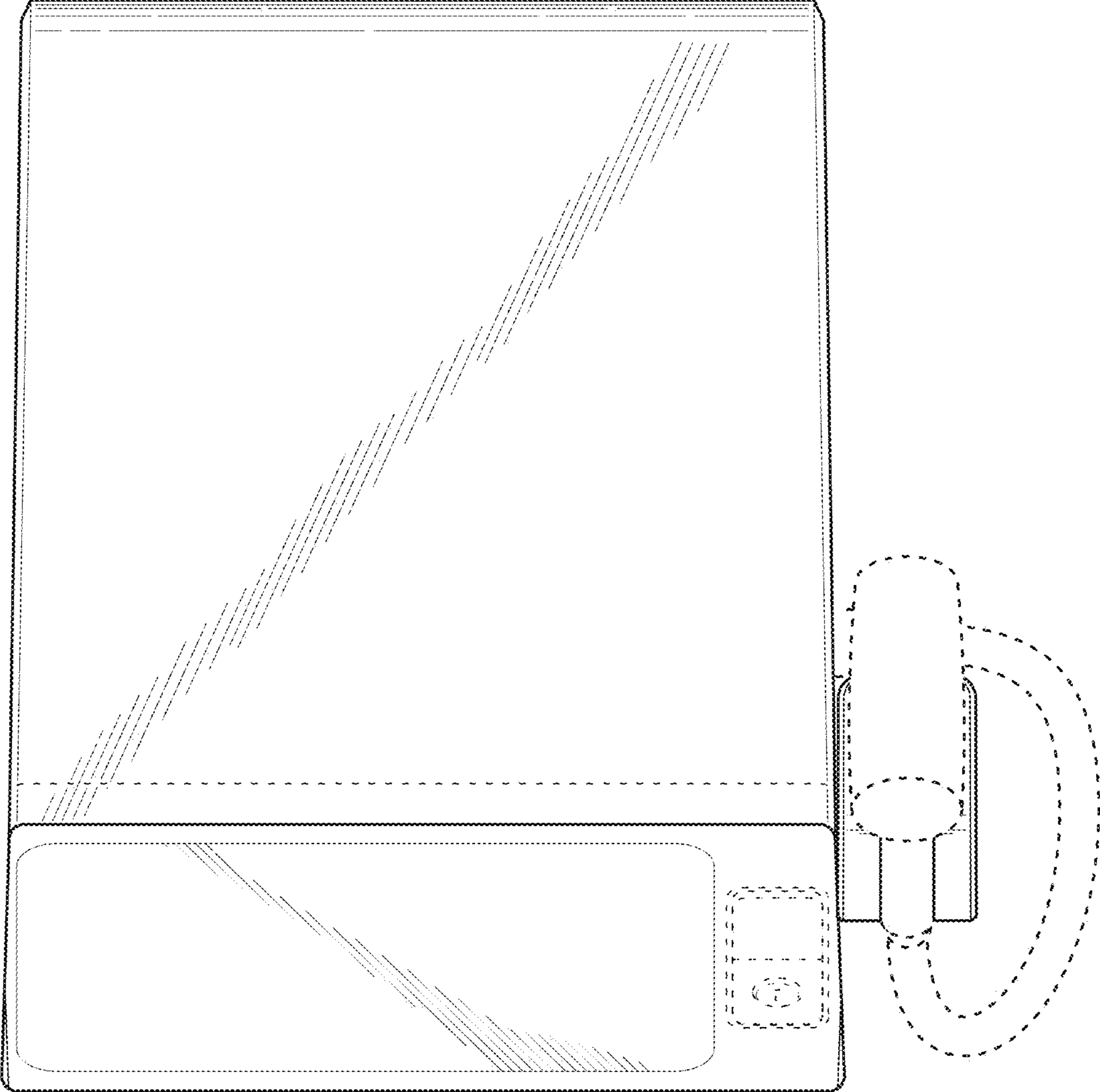
**Fig. 1**



**Fig. 2**

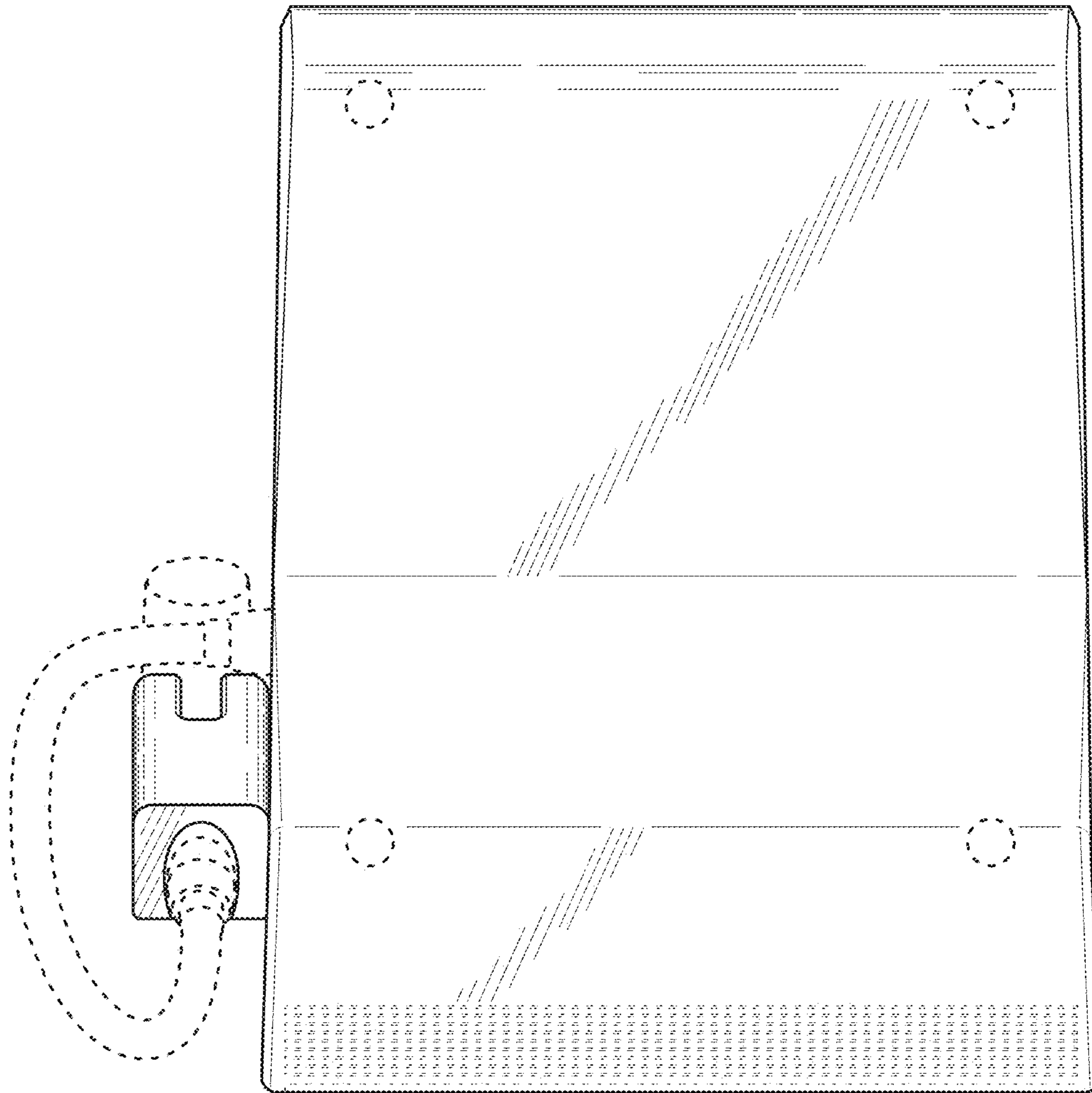


**Fig. 3**

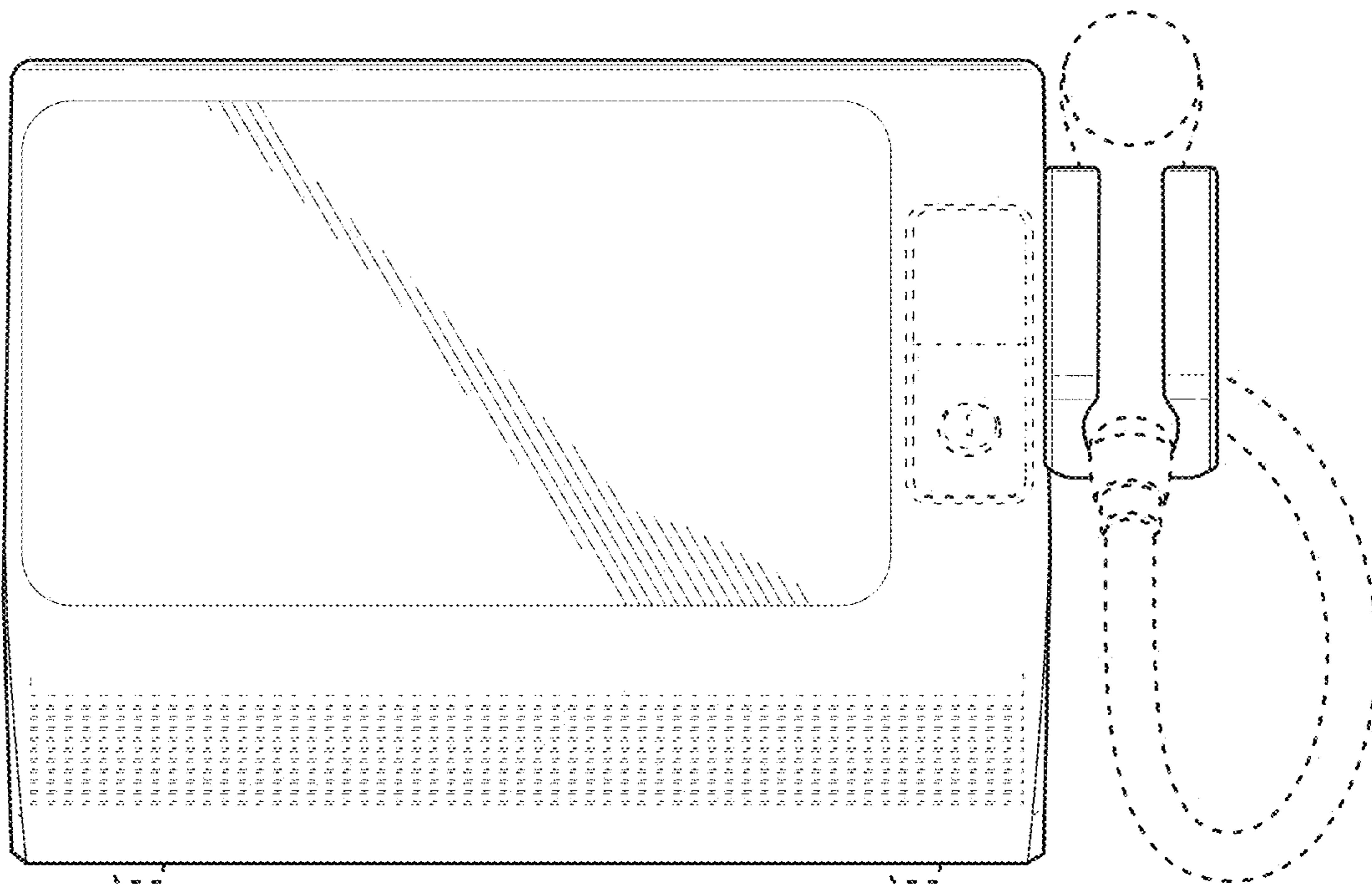


**Fig. 4**

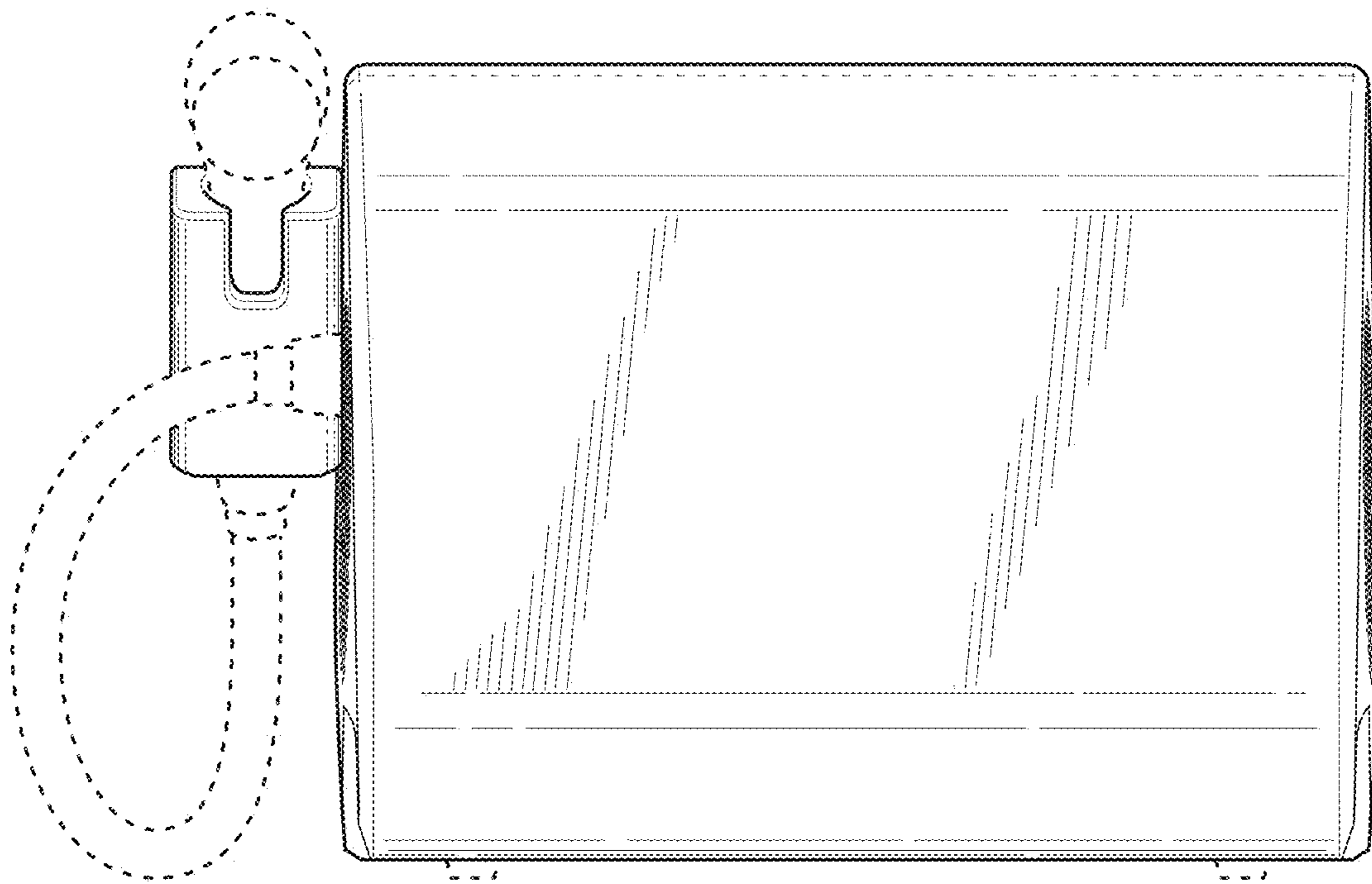




**Fig. 5**



**Fig. 4**



**Fig. 5**