



US00D915610S

(12) **United States Design Patent**
Onarheim

(10) **Patent No.:** **US D915,610 S**

(45) **Date of Patent:** **** Apr. 6, 2021**

(54) **WEARABLE STIMULATION DEVICE**

(71) Applicant: **RPW Technology, LLC**, Ossining, NY
(US)

(72) Inventor: **Balder Haraldsson Onarheim**,
Copenhagen (DK)

(73) Assignee: **RPW Technology, LLC**, Ossining, NY
(US)

(**) Term: **15 Years**

(21) Appl. No.: **29/690,709**

(22) Filed: **May 9, 2019**

(51) **LOC (13) Cl.** **28-03**

(52) **U.S. Cl.**
USPC **D24/200**

(58) **Field of Classification Search**
USPC D24/200, 185-187, 168; D8/354, 349,
D8/373; 607/45, 48, 58
CPC .. A61N 1/36; A61N 1/36014; A61N 1/36017;
A61N 1/36021; A61N 1/36057; A61N
1/3605; A61N 1/36025; A61N 1/36003;
A61N 1/04; A61N 1/0404; A61N 1/0456;
A61N 1/0452; A61N 1/048; A61N
1/0492; A61N 1/36034; A61N 1/3606
See application file for complete search history.

(56) **References Cited**

U.S. PATENT DOCUMENTS

D645,968 S * 9/2011 Kasabach D24/186
8,463,388 B2 * 6/2013 Wei A61N 1/36021
607/46
8,738,137 B2 * 5/2014 Dar A61N 1/04
607/45
9,248,286 B2 * 2/2016 Simon A61N 1/36034
9,440,070 B2 * 9/2016 Goldwasser A61N 1/36034
D821,595 S * 6/2018 Ito D24/200
D821,596 S * 6/2018 Ito D24/200

D859,673 S * 9/2019 Ito D24/200
2011/0224754 A1 * 9/2011 Wei A61N 1/36021
607/46
2014/0324118 A1 * 10/2014 Simon A61N 1/0456
607/46

(Continued)

OTHER PUBLICATIONS

LIFTiD tDCS Device. date: Sep. 23, 2019. Retrieved on Aug. 19,
2020. Retrieved from the Internet: [https://caputron.com/products/liftid-tdcs-device?cmp_id=8279984307&adg_id=86332903198&kwd=&device=c&gclid=EALalQobChMl2dLqifmn6wIVC . . . *](https://caputron.com/products/liftid-tdcs-device?cmp_id=8279984307&adg_id=86332903198&kwd=&device=c&gclid=EALalQobChMl2dLqifmn6wIVC...)

Primary Examiner — Wan Laymon

(74) *Attorney, Agent, or Firm* — Foley & Lardner LLP

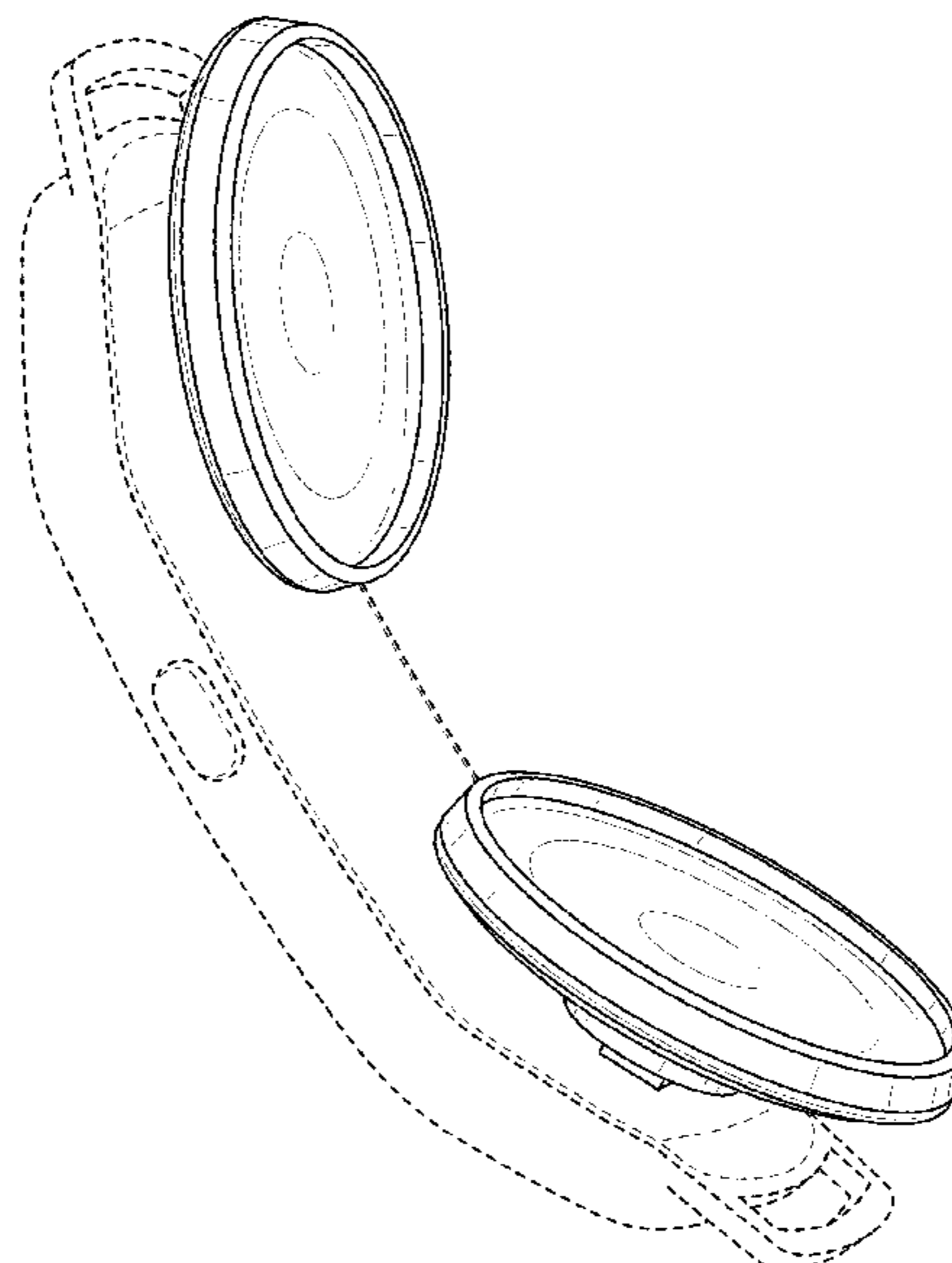
(57) **CLAIM**

I claim the ornamental design for a wearable stimulation device, as shown and described.

DESCRIPTION

FIG. 1 is a perspective view of a wearable stimulation device of the claimed design;
FIG. 2 is a front view of the claimed design shown in FIG. 1;
FIG. 3 is a rear view of the claimed design shown in FIG. 1;
FIG. 4 is a left side view of the claimed design shown in FIG. 1;
FIG. 5 is a right side view of the claimed design shown in FIG. 1;
FIG. 6 is a bottom view of the claimed design shown in FIG. 1; and,
FIG. 7 is a top view of the claimed design shown in FIG. 1. The ornamental design that is claimed is shown in the drawings as solid lines and surfaces having surface shading. In the drawings, the broken lines depict environmental subject matter only and form no part of the claimed design.

1 Claim, 7 Drawing Sheets



(56)

References Cited

U.S. PATENT DOCUMENTS

2015/0088224 A1* 3/2015 Goldwasser A61N 1/36025
607/45
2016/0184584 A1* 6/2016 Mason A61N 1/36021
601/21
2017/0188872 A1* 7/2017 Hughes A61B 5/04012
2018/0050201 A1* 2/2018 Tam A61N 1/36014
2020/0144862 A1* 5/2020 Zaitso A61N 1/36014

* cited by examiner

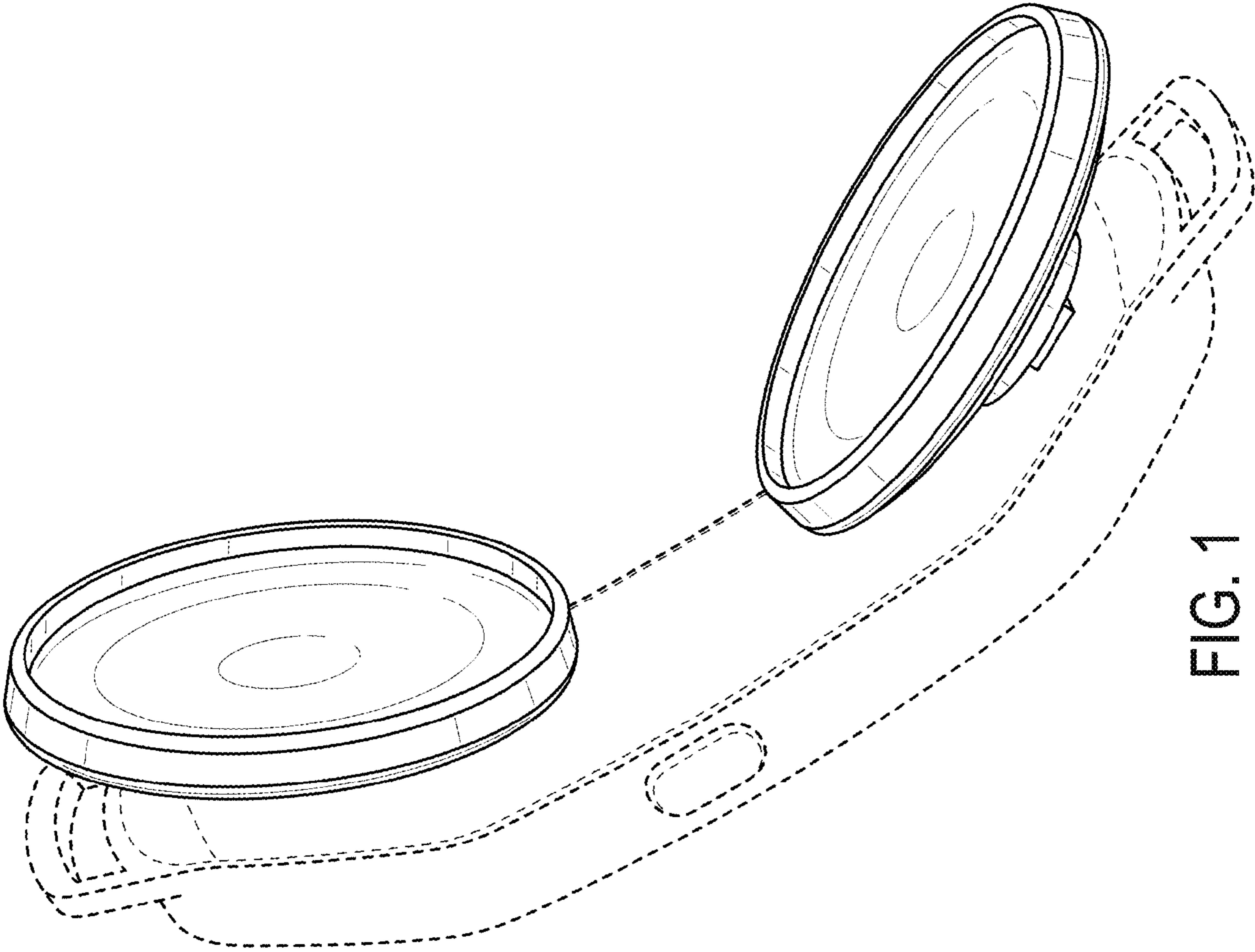


FIG. 1

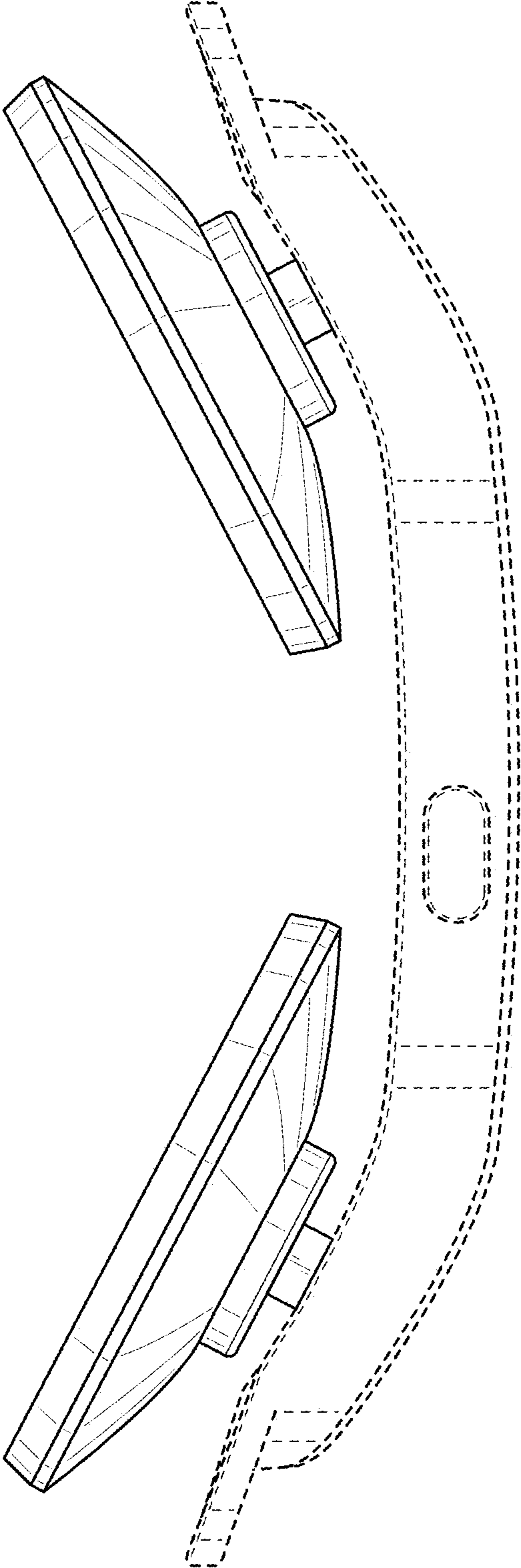


FIG. 2

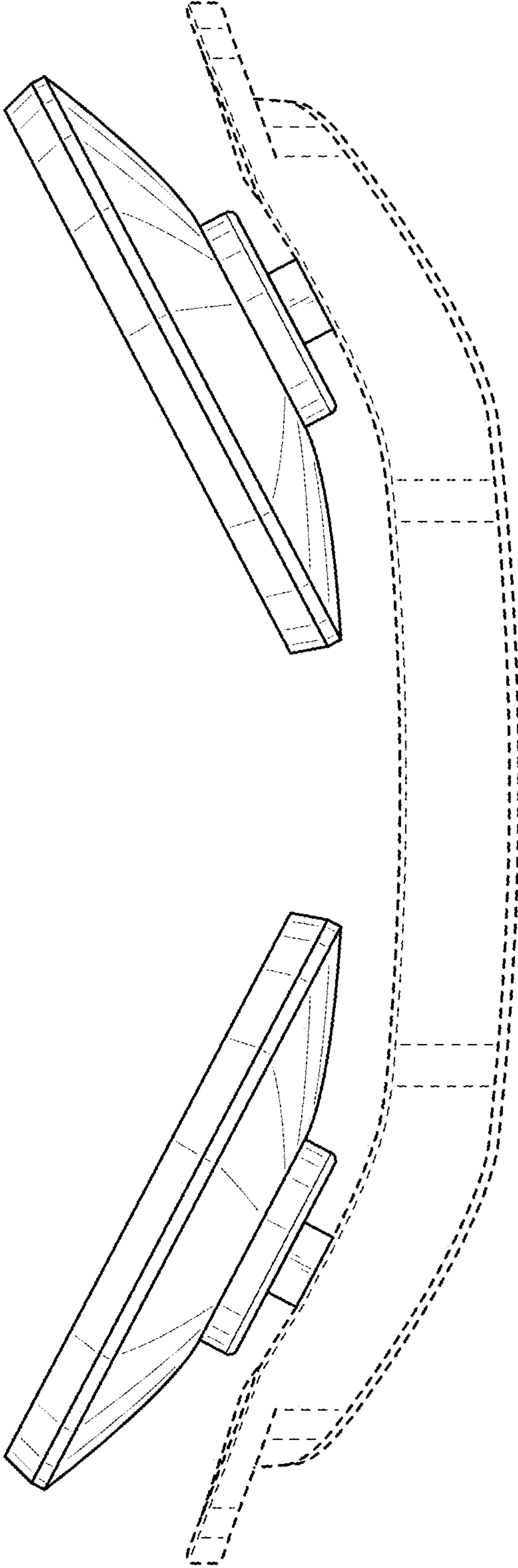


FIG. 3

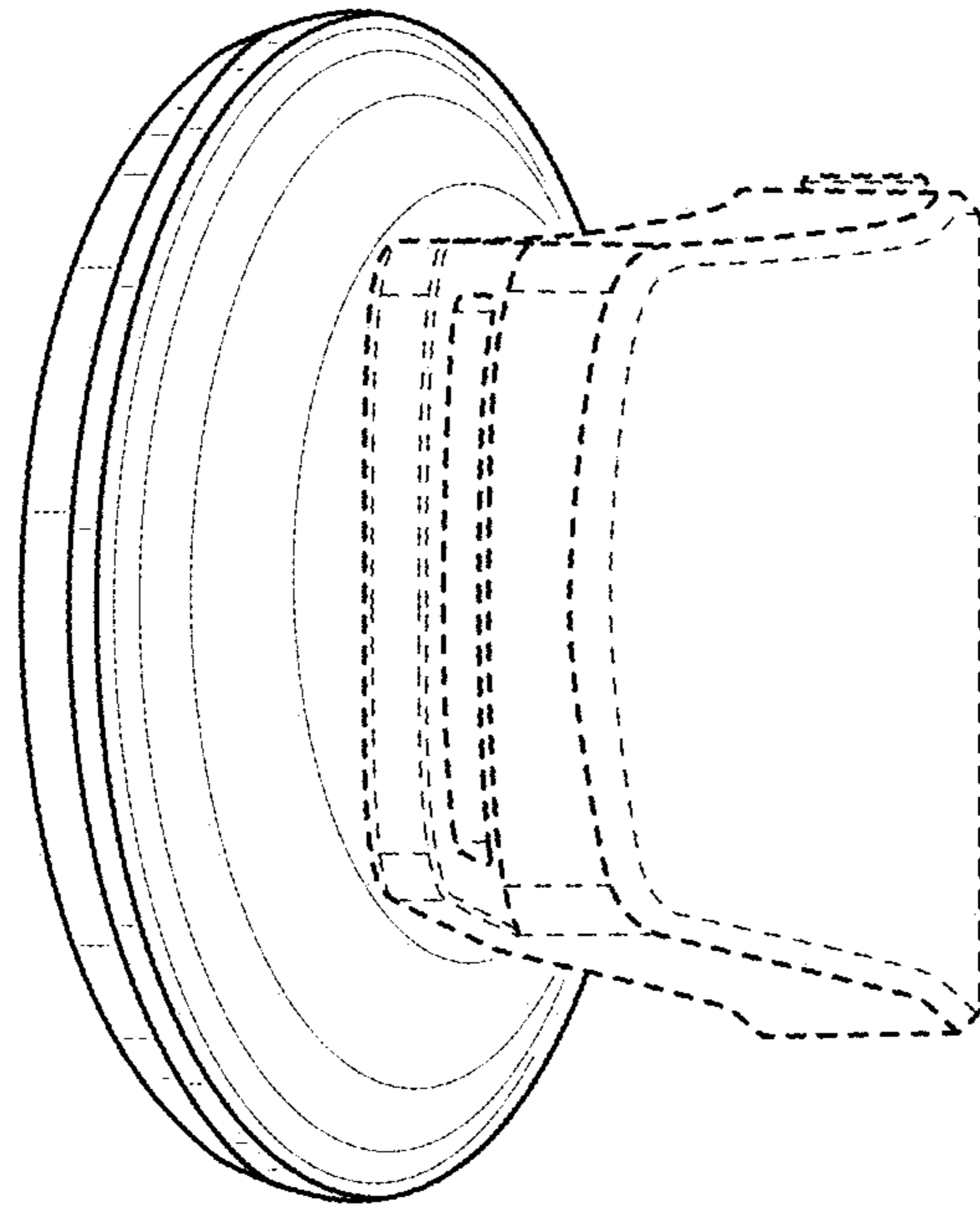


FIG. 4

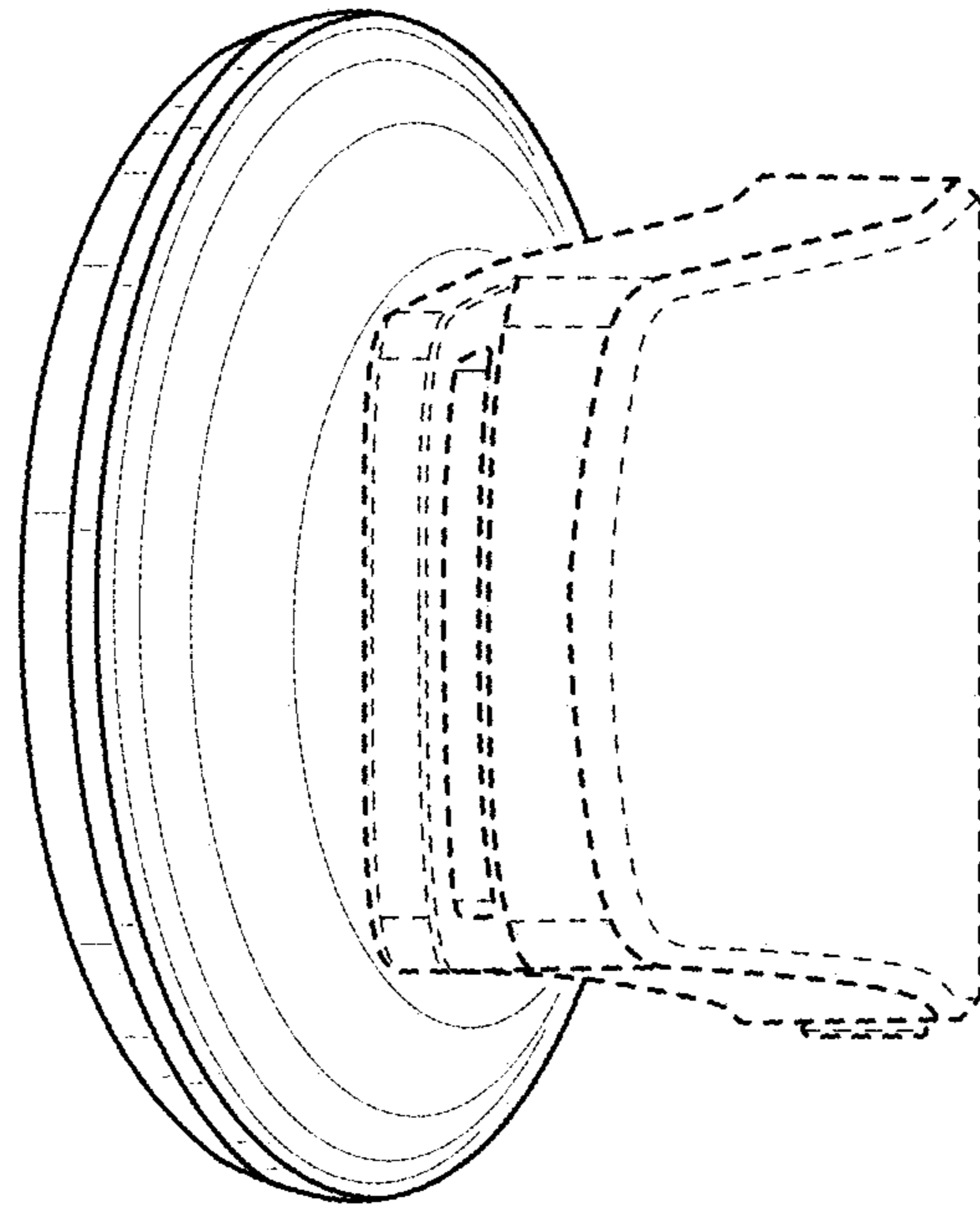


FIG. 5

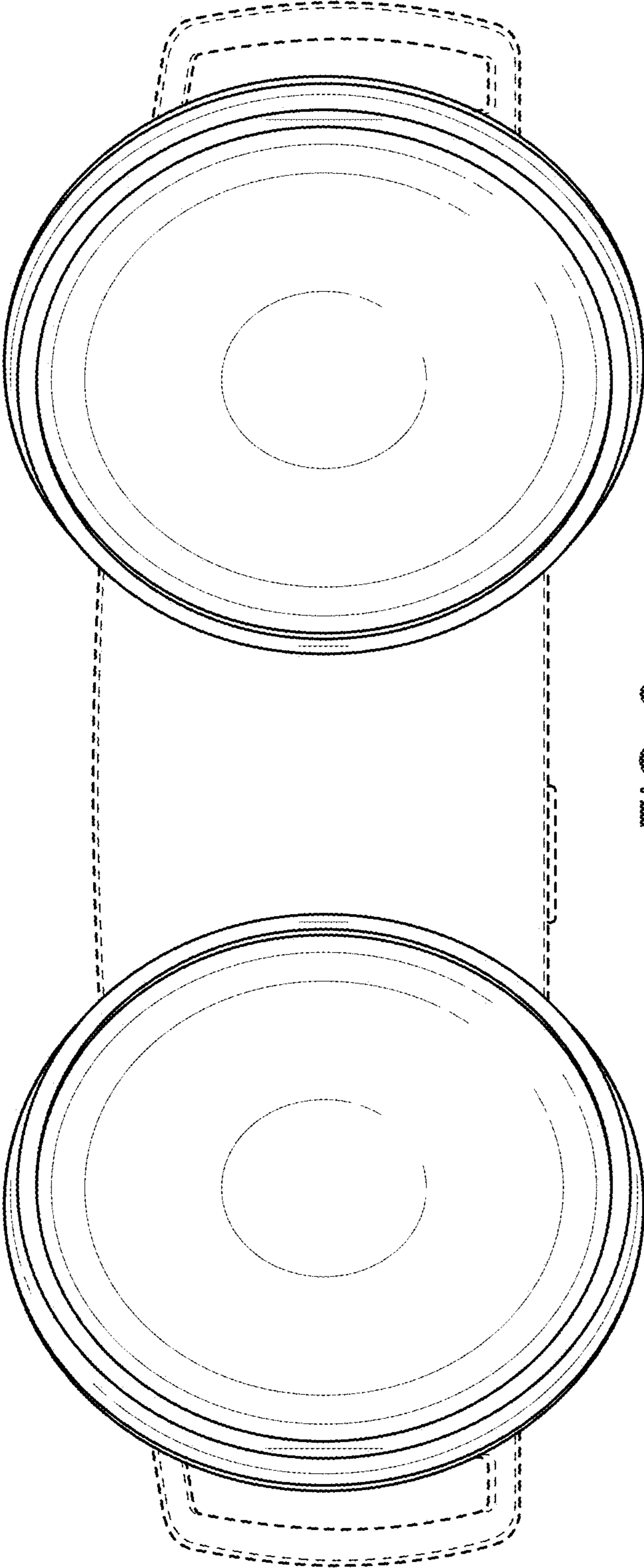


FIG. 6

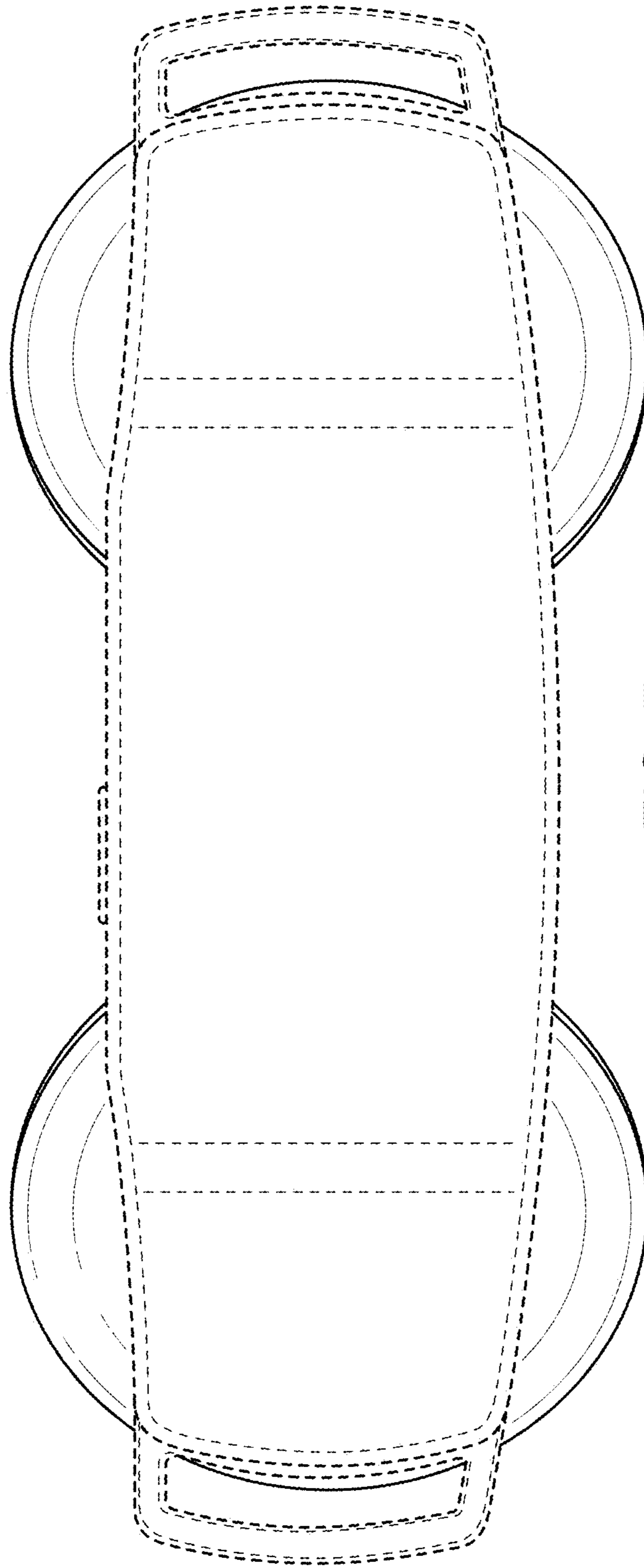


FIG. 7