



US00D915606S

(12) **United States Design Patent** (10) **Patent No.:** **US D915,606 S**
Meredith (45) **Date of Patent:** **** Apr. 6, 2021**

(54) **MEDICAL DEVICE TO RELIEVE SYMPTOMS OF MIGRAINES**
(71) Applicant: **Migraine Stopper Pty. Ltd.**, North Sydney (AU)
(72) Inventor: **Adam Meredith**, North Sydney (AU)
(73) Assignee: **Migraine Stopper Pty. Ltd.**, North Sydney (AU)

D628,564 S * 12/2010 Chong D14/223
D630,186 S * 1/2011 Yang D14/205
D685,760 S * 7/2013 Fletcher D14/205
D727,871 S * 4/2015 Orbach D14/205
D777,138 S * 1/2017 Fletcher D14/205
D782,442 S * 3/2017 Chen D14/205
D796,475 S * 9/2017 Wang D14/205

(Continued)

(**) Term: **15 Years**
(21) Appl. No.: **29/647,206**
(22) Filed: **May 10, 2018**

FOREIGN PATENT DOCUMENTS

RU 2328262 C2 1/2008
WO 2015009421 A1 1/2015

OTHER PUBLICATIONS

Facebook. Migraine Stopper (profile picture). Jul. 7, 2019. <https://www.facebook.com/MigraineStopper/> (Year: 2019).*

(Continued)

Related U.S. Application Data

(63) Continuation of application No. PCT/AU2016/000376, filed on Nov. 10, 2016.

Primary Examiner — Darcey E Gottschalk
(74) *Attorney, Agent, or Firm* — Kaplan Breyer Schwarz, LLP

(30) **Foreign Application Priority Data**

Nov. 10, 2015 (AU) 2015904614

(57) **CLAIM**

The ornamental design for a medical device to relieve symptoms of migraines, as shown and described.

(51) **LOC (13) Cl.** **24-04**

(52) **U.S. Cl.**
USPC **D24/188**

DESCRIPTION

(58) **Field of Classification Search**
USPC D24/188–192, 200, 206, 214, 215;
D14/205, 206, 223
CPC A61H 9/00; A61H 11/00
See application file for complete search history.

FIG. 1 is a top front isometric view of a medical device to relieve symptoms of migraines showing the new design; FIG. 2 is a front elevational view thereof; FIG. 3 is a rear elevational view thereof; FIG. 4 is a left elevational view thereof, the right elevational view is a mirror image of the left elevational view; FIG. 5 is a top plan view thereof; and, FIG. 6 is a bottom plan view thereof.

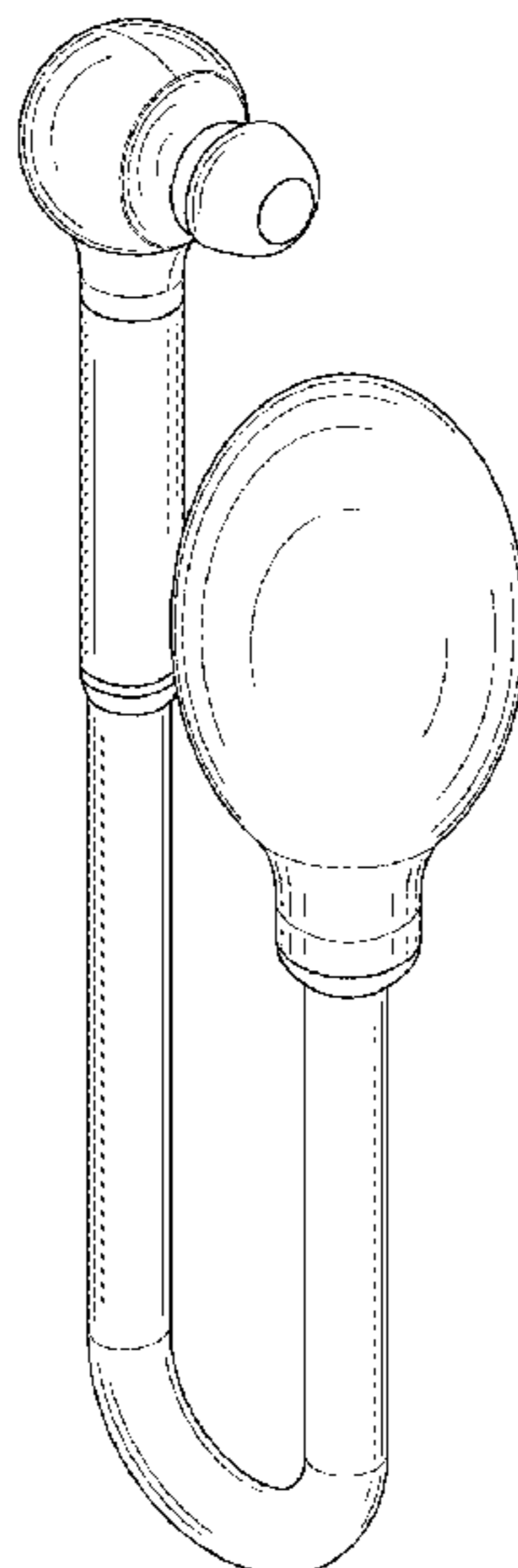
In the drawings, the broken lines depict portions of the medical device to relieve symptoms of migraines that form no part of the claim.

(56) **References Cited**

U.S. PATENT DOCUMENTS

2,014,009 A 9/1935 Vance
4,109,493 A 8/1978 Hugenbruch
4,984,579 A 1/1991 Burgert et al.
D604,272 S * 11/2009 Kitayama D14/223
D605,636 S * 12/2009 Yang D14/223

1 Claim, 6 Drawing Sheets



(56)

References Cited

U.S. PATENT DOCUMENTS

D809,486 S *	2/2018	Arimoto	D14/223
D824,878 S *	8/2018	Kim	D14/206
D839,238 S *	1/2019	Hu	D14/205
D839,441 S *	1/2019	Harashima	D24/215
D848,978 S *	5/2019	Min	D14/223
D850,408 S *	6/2019	Kawabata	D14/206
D855,580 S *	8/2019	Ma	D14/205
D855,581 S *	8/2019	Li	D14/205
D858,482 S *	9/2019	Ma	D14/205

OTHER PUBLICATIONS

Youtube. The Migraine Stopper System—Migraine Stopper. Nov. 14, 2018. <https://www.youtube.com/watch?v=JahBwvAOixk> (Year: 2018).*

Tea is a Wish. Migraine Moments (6)—The Migraine Stopper (Unboxing). Feb. 18, 2019. <https://teaisawishblog.com/2019/02/18/migraine-moments-6-the-migraine-stopper-unboxing/> (Year: 2019).*

Officer Simon Ochsenbein, “International Search Report and the Written Opinion”, PCT/AU2016/000376, dated Dec. 1, 2016, 10 pp.

* cited by examiner

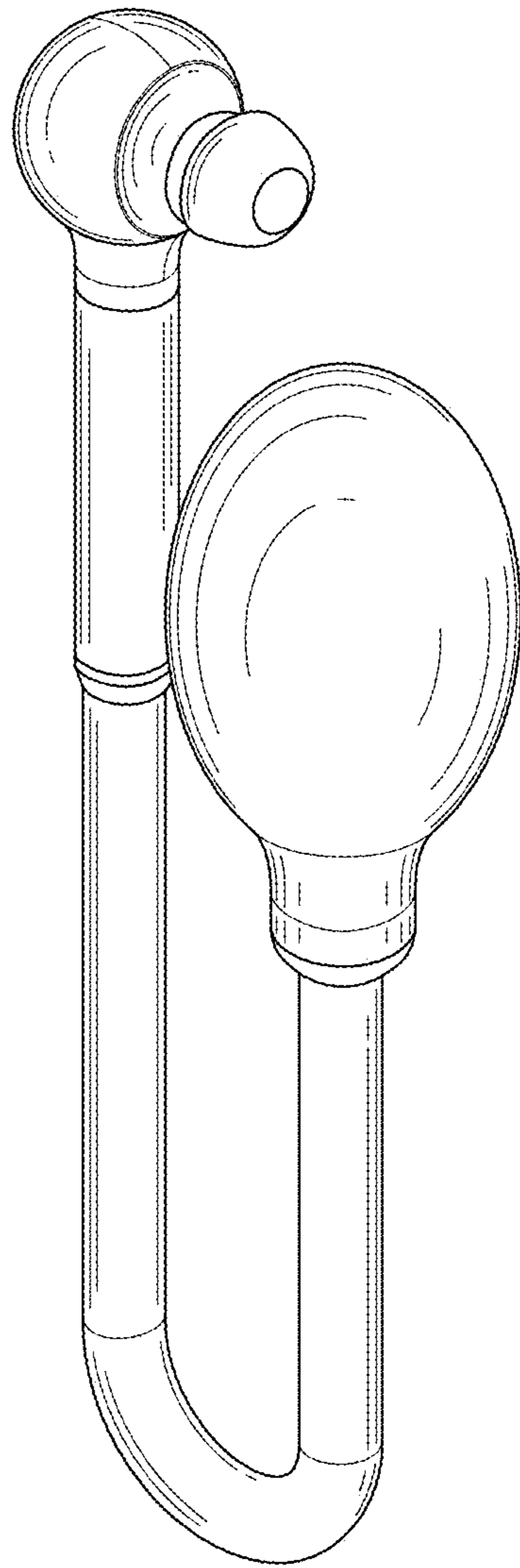


FIG. 1

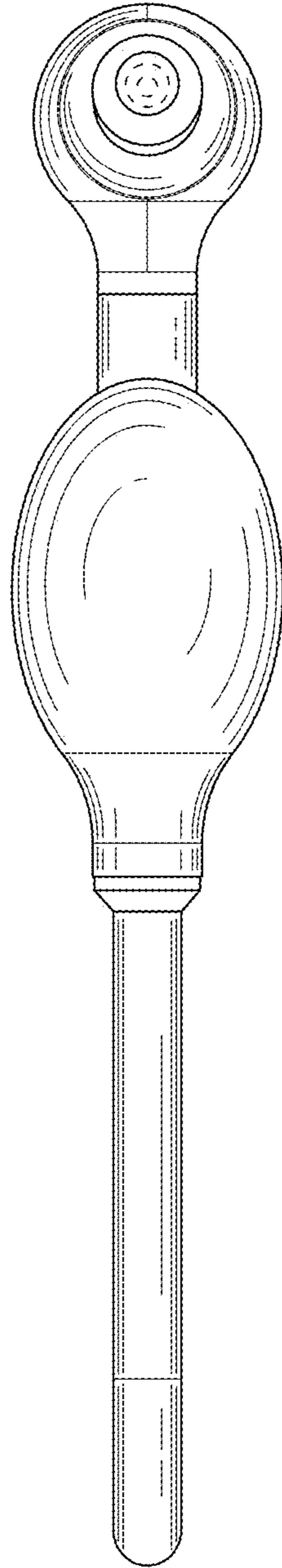


FIG. 2

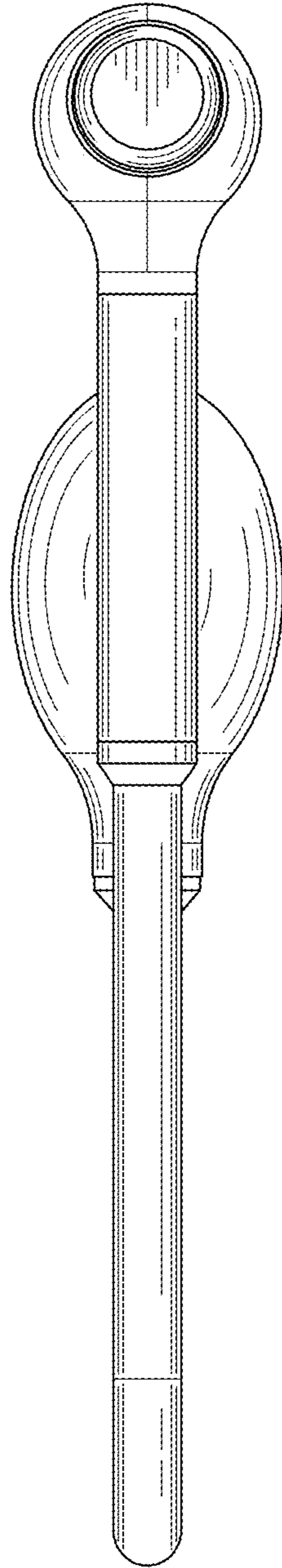


FIG. 3

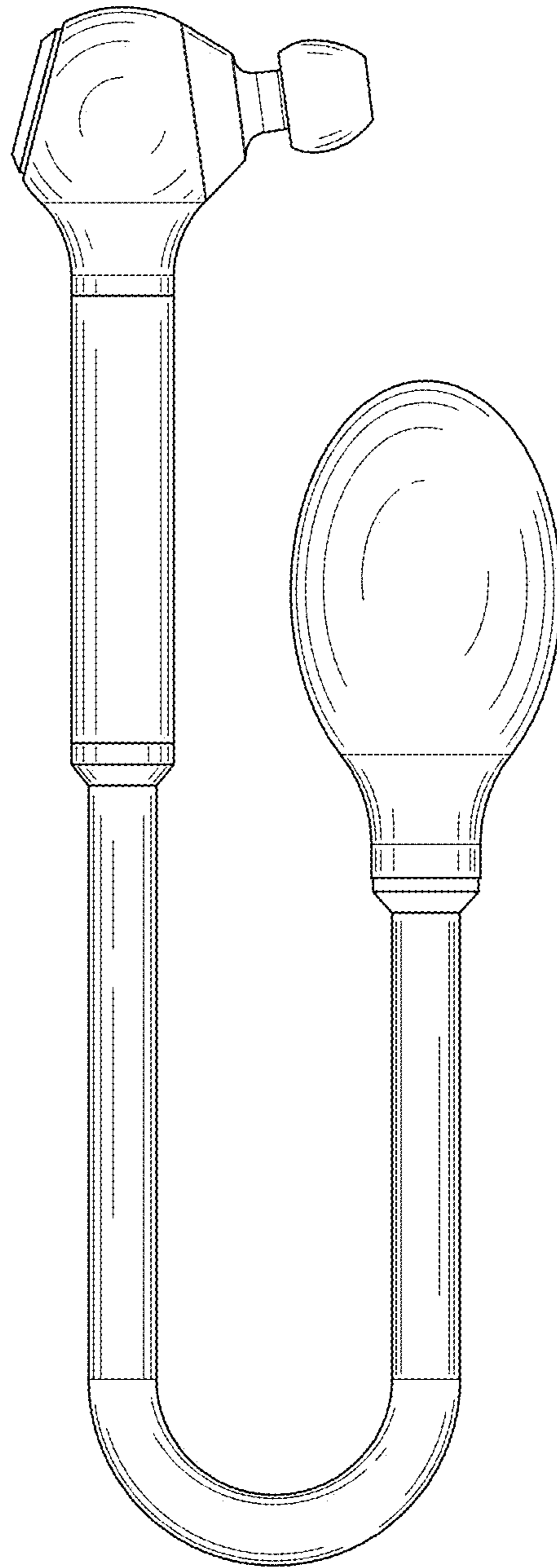


FIG. 4

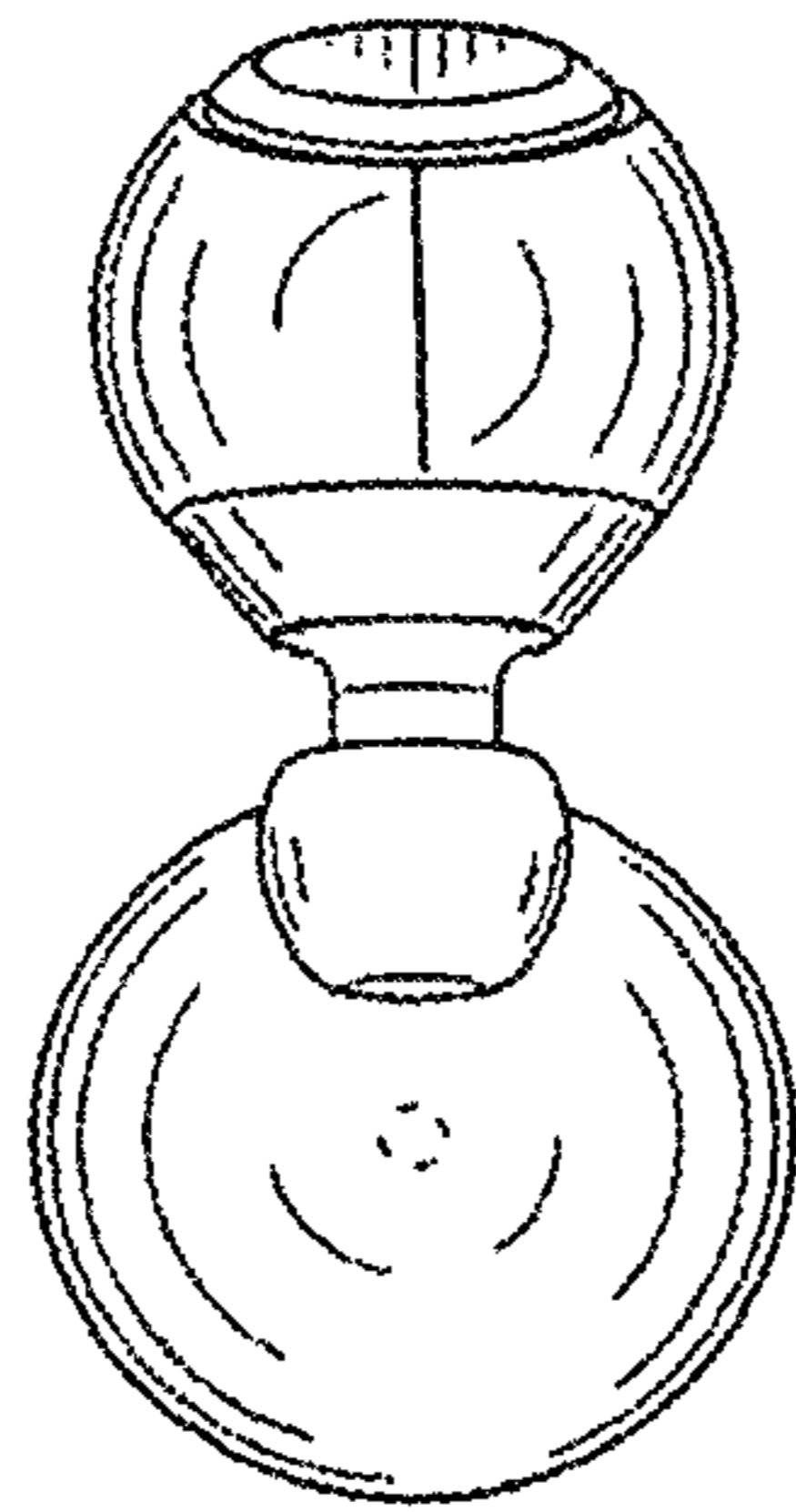


FIG. 5

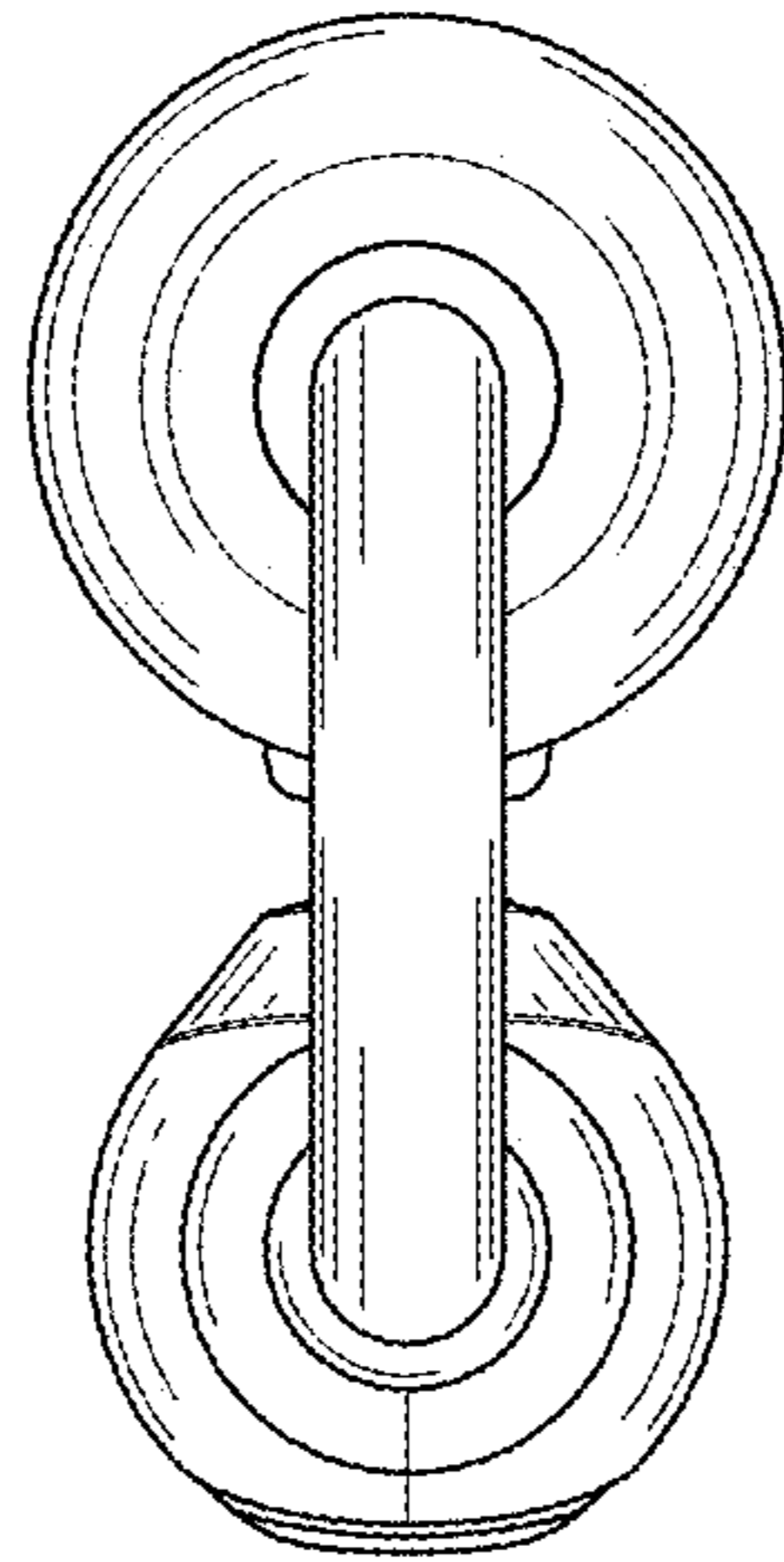


FIG. 6