



US00D915604S

(12) **United States Design Patent** (10) **Patent No.:** **US D915,604 S**
Kobayashi et al. (45) **Date of Patent:** **** Apr. 6, 2021**

(54) **ULTRASONIC PROBE**
(71) Applicant: **SOCIONEXT INC.**, Kanagawa (JP)
(72) Inventors: **Mari Kobayashi**, Yokohama (JP);
Kazuyuki Kanazashi, Yokohama (JP);
Masaya Tamamura, Yokohama (JP)
(73) Assignee: **SOCIONEXT INC.**, Kanagawa (JP)

(**) Term: **15 Years**
(21) Appl. No.: **29/705,338**
(22) Filed: **Sep. 11, 2019**

(30) **Foreign Application Priority Data**
Mar. 14, 2019 (JP) 2019-005415
(51) **LOC (13) Cl.** **24-02**
(52) **U.S. Cl.**
USPC **D24/187**
(58) **Field of Classification Search**
USPC D24/133, 137, 138, 141, 158, 160, 164,
D24/165, 167, 170, 186, 187, 200;
D10/57, 60, 78, 80
CPC ... A61B 5/0095; A61B 8/4444; A61B 8/4455;
G01S 7/5208
See application file for complete search history.

(56) **References Cited**
U.S. PATENT DOCUMENTS
5,213,103 A * 5/1993 Martin A61B 8/00
600/443
D392,044 S * 3/1998 Mesaros D24/186
D619,266 S * 7/2010 Sakai D24/186
D682,433 S * 5/2013 Shinohara D24/186

D703,819 S * 4/2014 Moon D24/187
D745,686 S * 12/2015 Personelli D24/187
D745,972 S * 12/2015 Kitayama D24/187
D765,868 S * 9/2016 Pippel D24/187
D861,178 S * 9/2019 Emery D24/187
D861,884 S * 10/2019 Moon D24/187
D883,495 S * 5/2020 Cheng D24/187
2013/0190627 A1 * 7/2013 Jun A61B 8/4494
600/472
2020/0166481 A1 * 5/2020 Lin A61B 8/4444

FOREIGN PATENT DOCUMENTS

JP D2020-8626 * 4/2020

* cited by examiner

Primary Examiner — Susan Bennett Hattan
Assistant Examiner — Omeed Agilee
(74) *Attorney, Agent, or Firm* — McDermott Will and Emery LLP

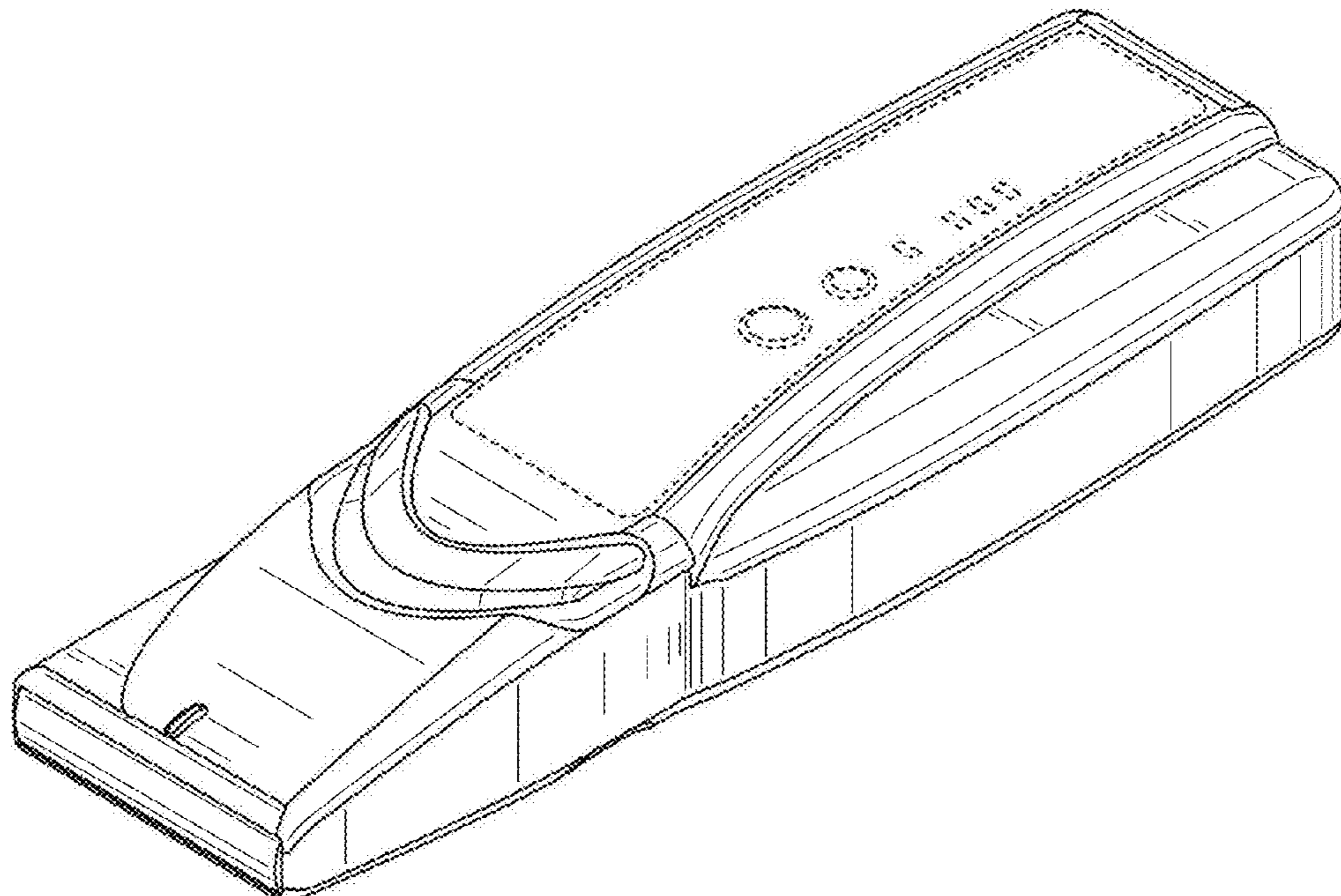
(57) **CLAIM**

The ornamental design for an ultrasonic probe, as shown and described.

DESCRIPTION

FIG. 1 is a perspective view of an ultrasonic probe, showing our new design;
FIG. 2 is a front side view of the ultrasonic probe;
FIG. 3 is a rear side view of the ultrasonic probe;
FIG. 4 is a top view of the ultrasonic probe;
FIG. 5 is a bottom view of the ultrasonic probe;
FIG. 6 is a right side view of the ultrasonic probe; and,
FIG. 7 is a left side view of the ultrasonic probe.
The broken lines in the drawings depict portions of the ultrasonic probe that form no part of the claimed design.

1 Claim, 5 Drawing Sheets



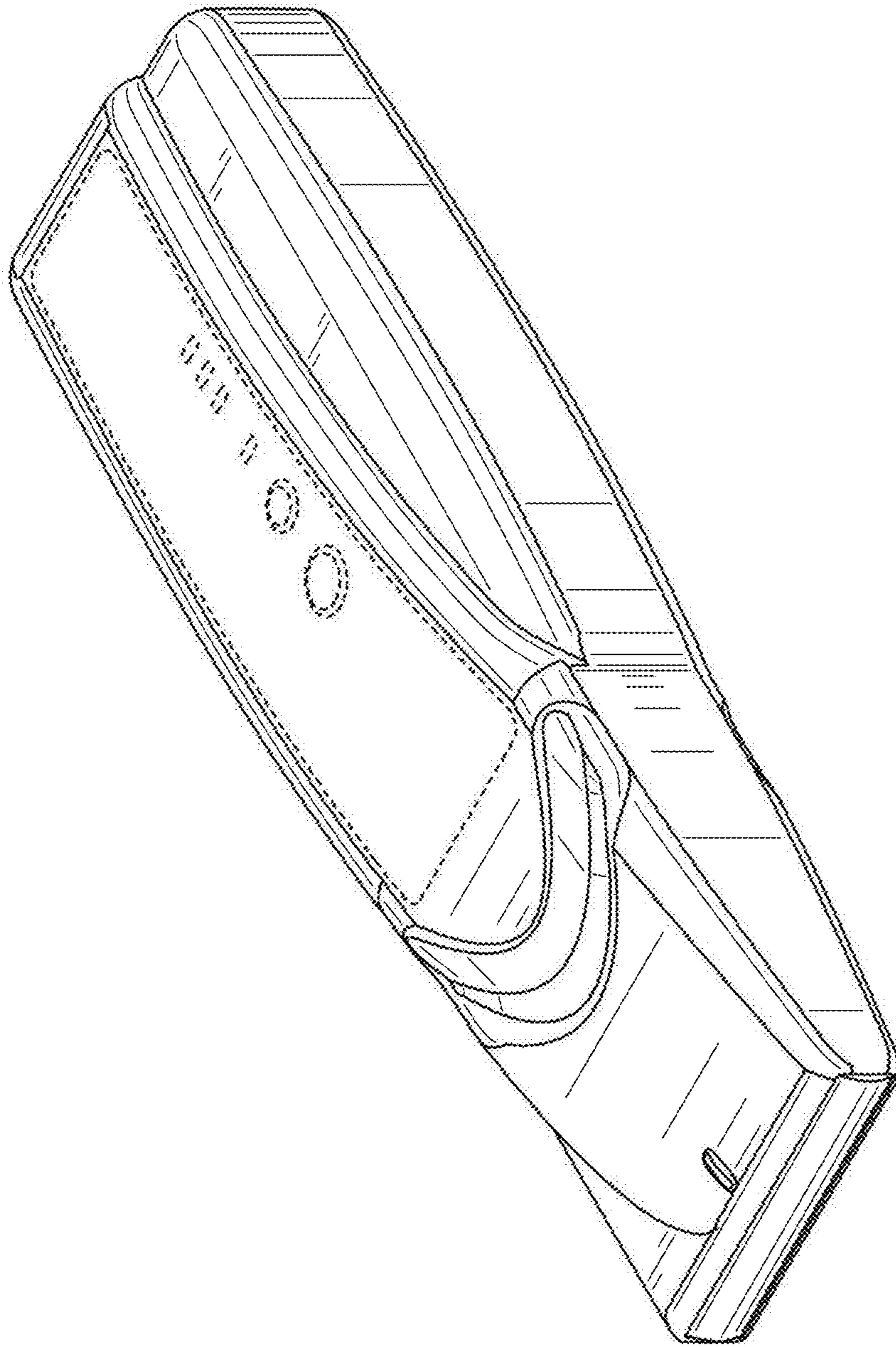


FIG. 1

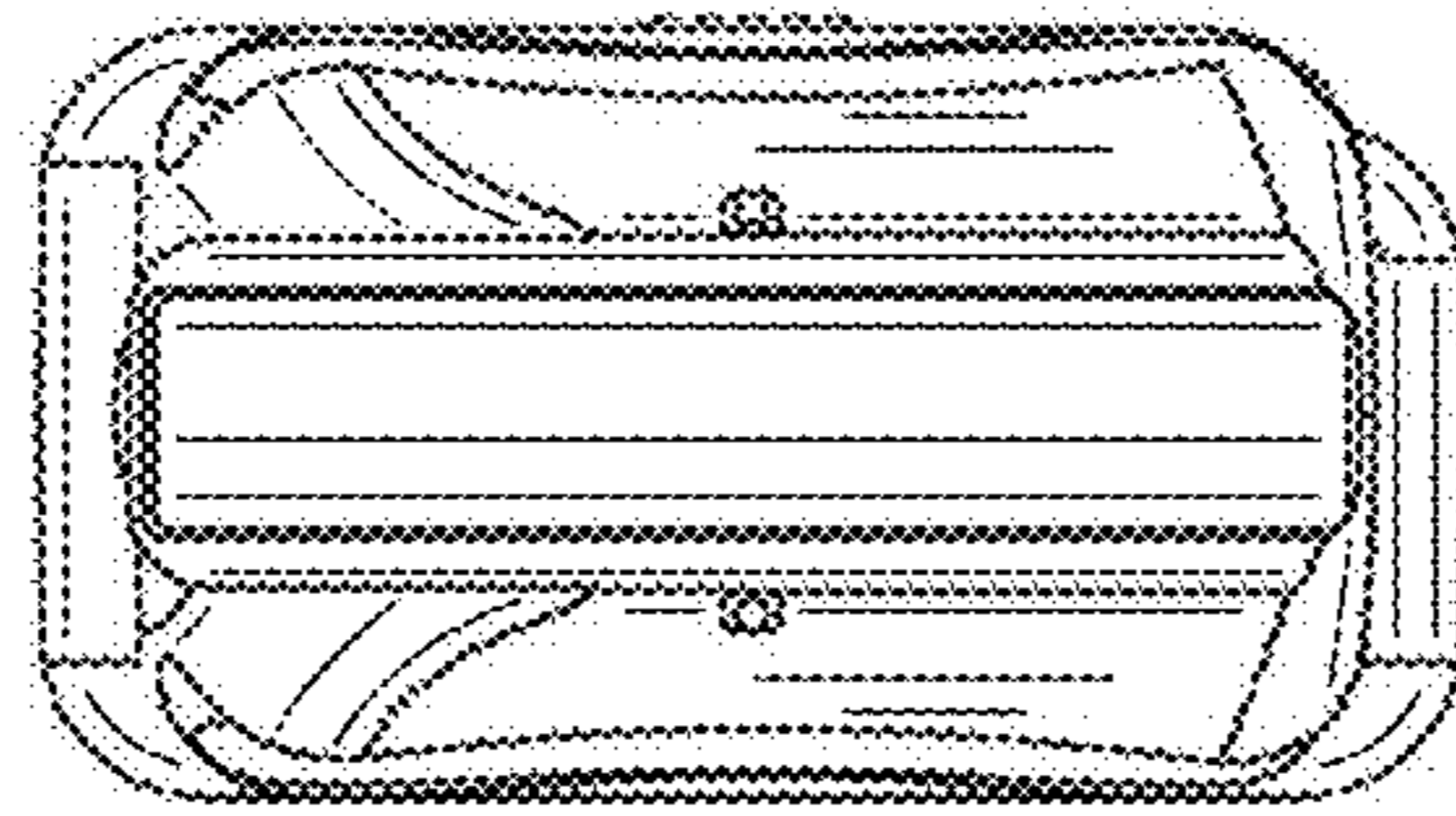


FIG. 2

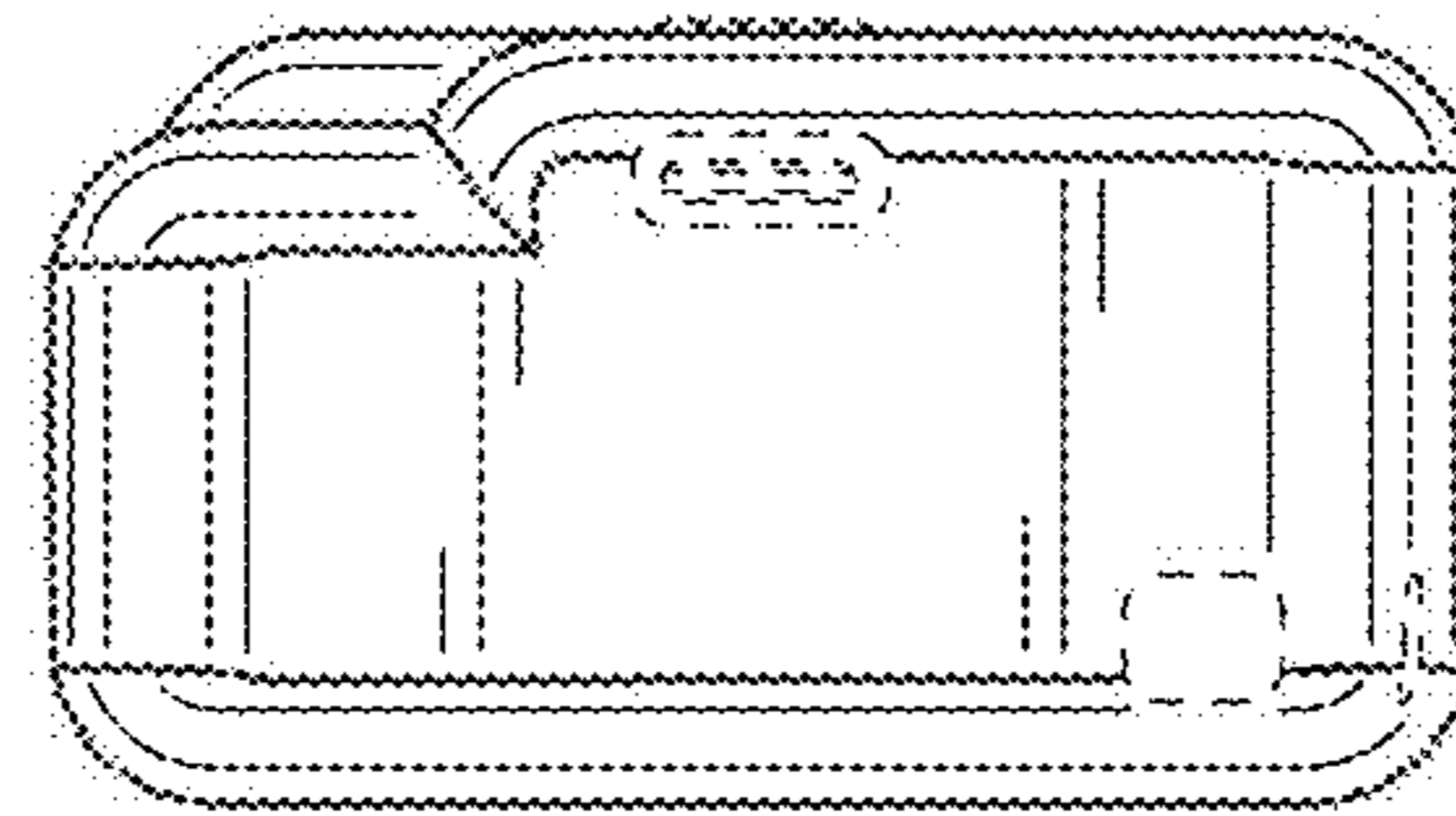


FIG. 3

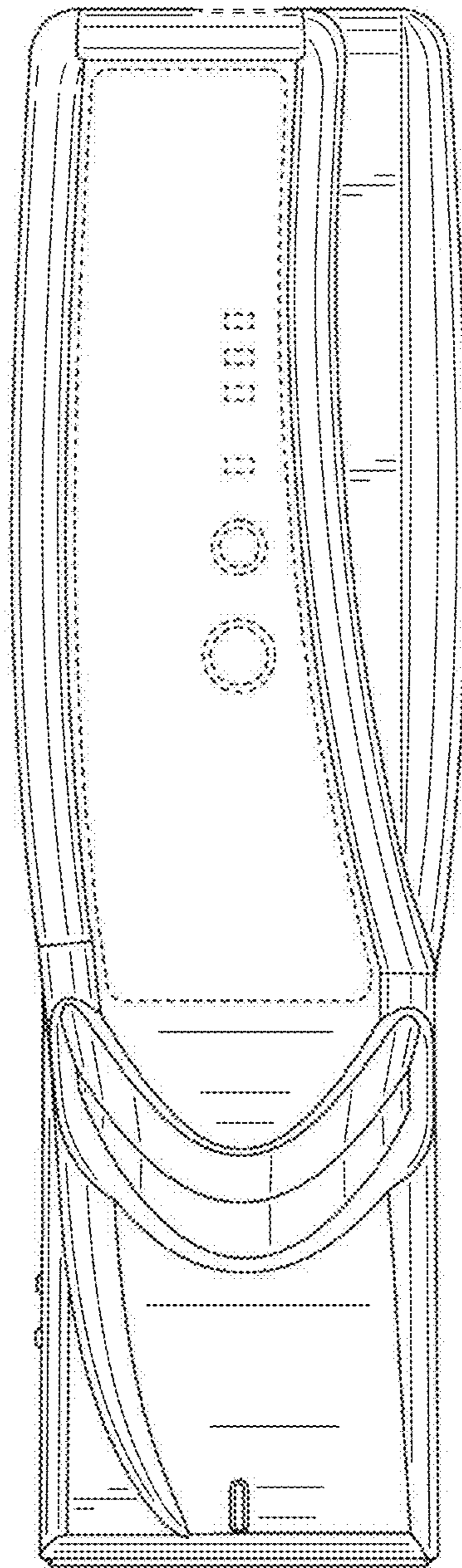


FIG. 4

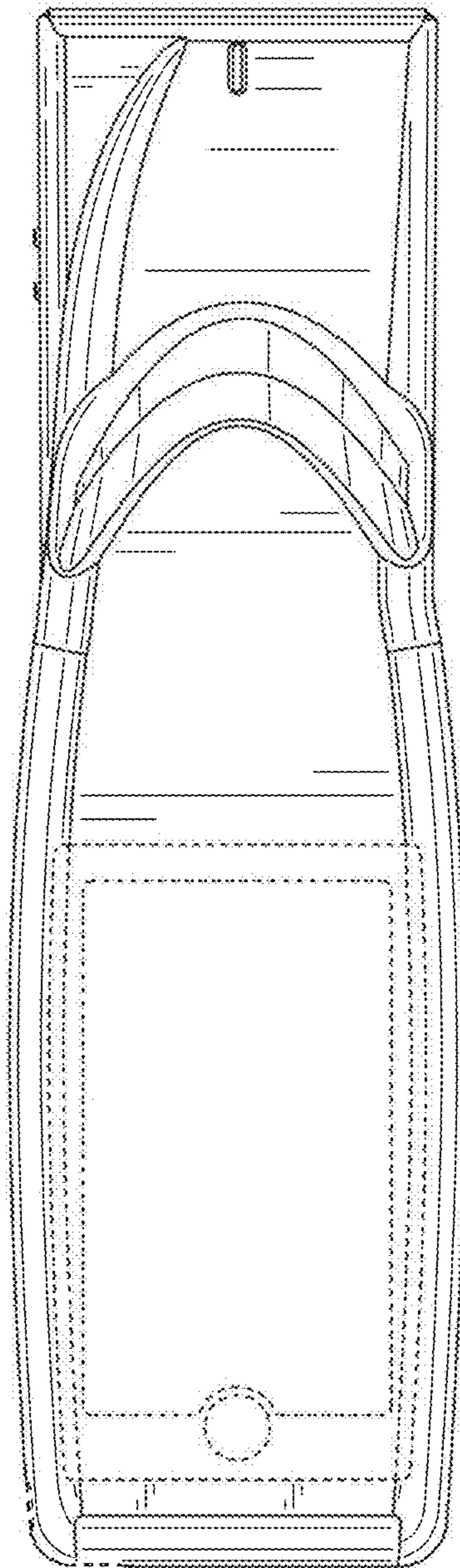


FIG. 5

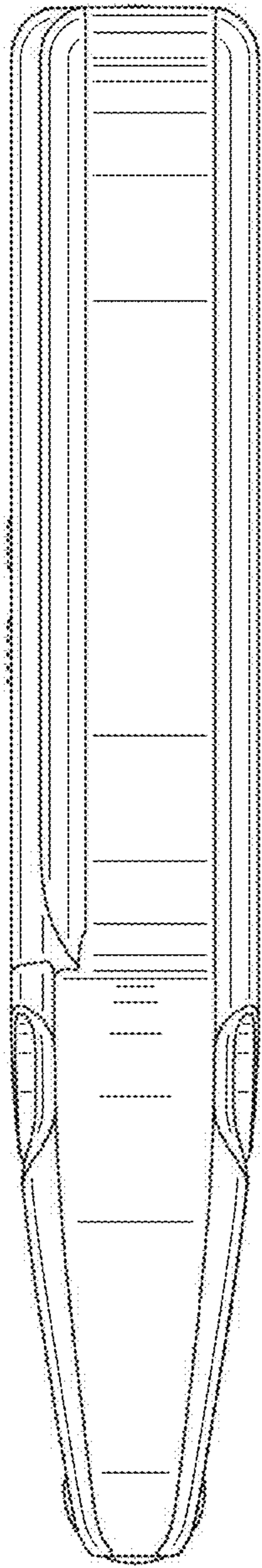


FIG. 6

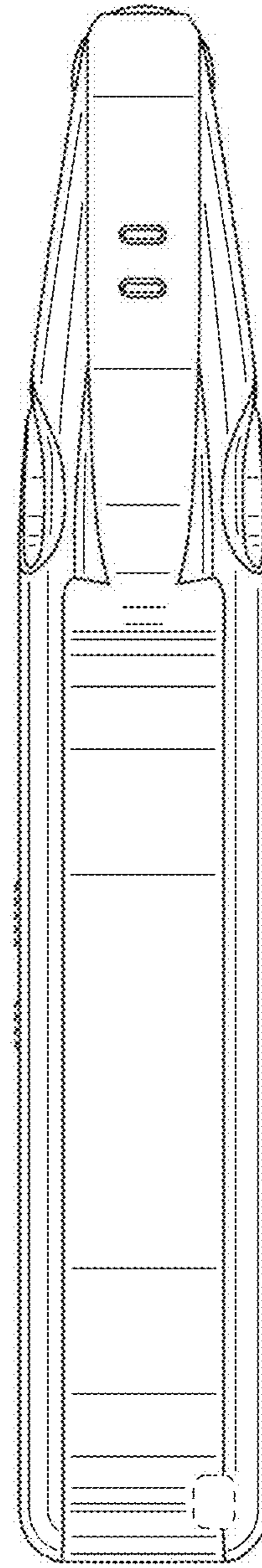


FIG. 7