



US00D915599S

(12) **United States Design Patent**
Luo

(10) **Patent No.:** **US D915,599 S**
(45) **Date of Patent:** **** Apr. 6, 2021**

(54) **SPHYGMOMANOMETER**

D525,710 S * 7/2006 Kobayashi D24/165
D535,028 S * 1/2007 Kobayashi D24/165
D683,028 S * 5/2013 Hara D24/165

(71) Applicant: **Shenzhen Apeman Innovations Technology Co., Ltd**, Shenzhen (CN)

* cited by examiner

(72) Inventor: **Tingyuan Luo**, Shenzhen (CN)

Primary Examiner — Anhdao Doan

(**) Term: **15 Years**

(74) *Attorney, Agent, or Firm* — ZANIP

(21) Appl. No.: **29/702,768**

(57) **CLAIM**

(22) Filed: **Aug. 22, 2019**

The ornamental design for a sphygmomanometer, as shown and described.

(51) **LOC (13) Cl.** **24-02**

(52) **U.S. Cl.**
USPC **D24/165**

(58) **Field of Classification Search**
USPC D24/107, 165–169, 185–187; D10/98
CPC A61B 5/0402; A61B 5/0404; A61B 5/021;
A61B 5/024; A61B 5/02438; A61B
5/681; A61B 2560/0205; A61B
2560/0462
See application file for complete search history.

DESCRIPTION

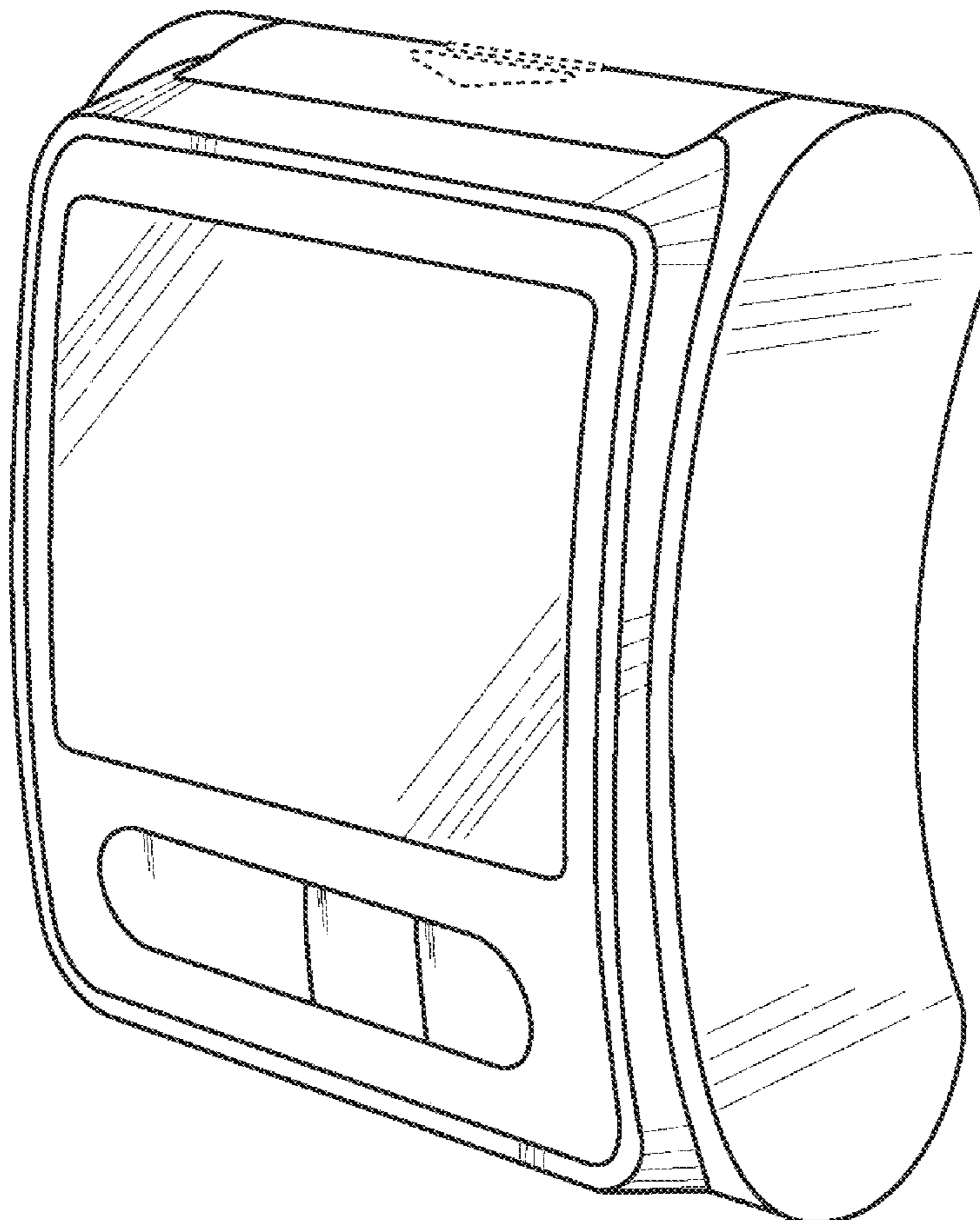
FIG. 1 is a front elevational view of a sphygmomanometer, showing my new design;
FIG. 2 is a rear elevational view thereof;
FIG. 3 is a right side elevational view thereof;
FIG. 4 is a left side elevational view thereof;
FIG. 5 is a top plan view thereof;
FIG. 6 is a bottom plan view thereof;
FIG. 7 is a front and top perspective view thereof; and,
FIG. 8 is a rear and bottom perspective view thereof.
The broken lines form no part of the claimed design.

(56) **References Cited**

U.S. PATENT DOCUMENTS

D426,637 S * 6/2000 Ochi D24/165
D449,890 S * 10/2001 Semeriva D24/165

1 Claim, 8 Drawing Sheets



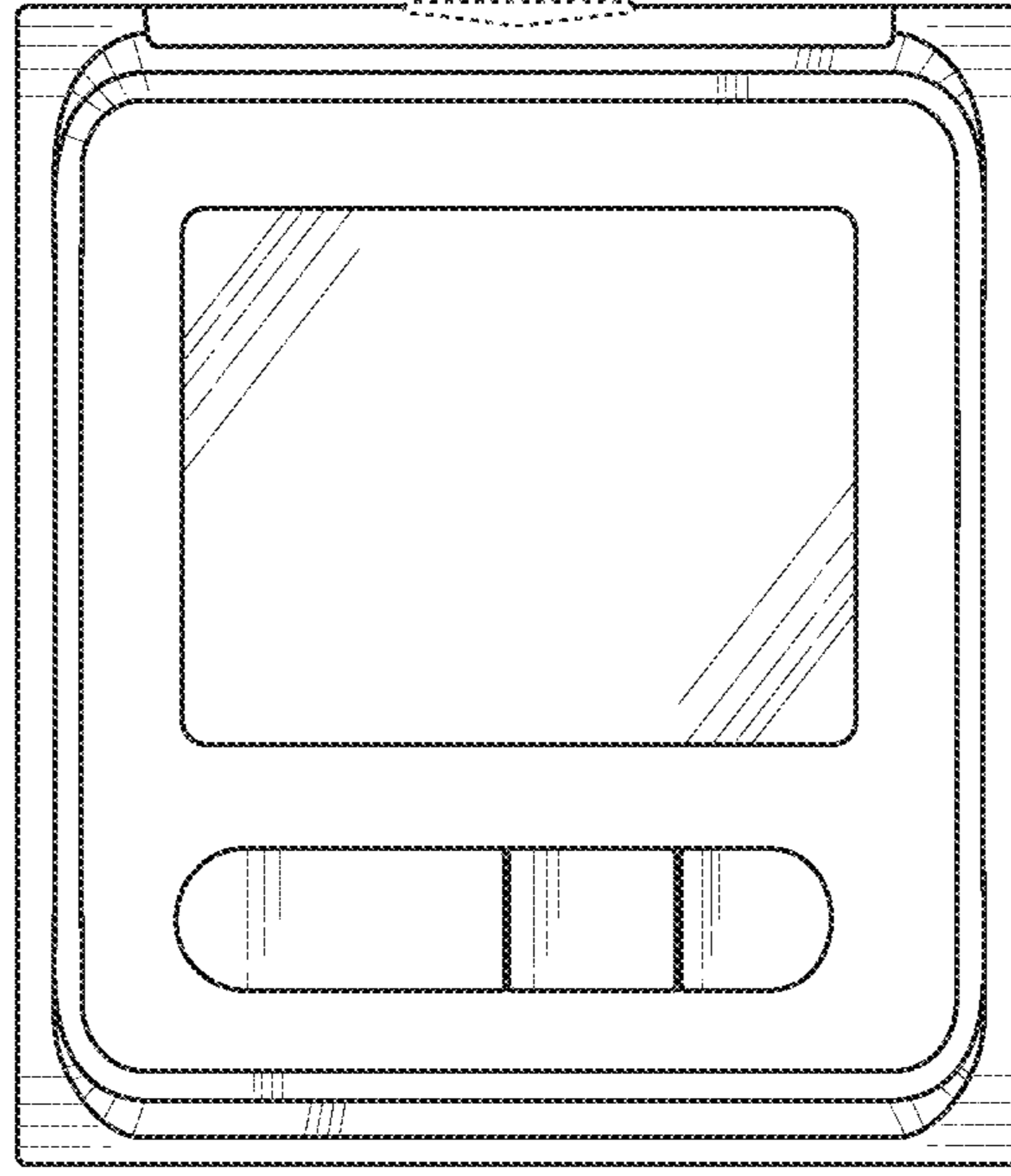


FIG.1

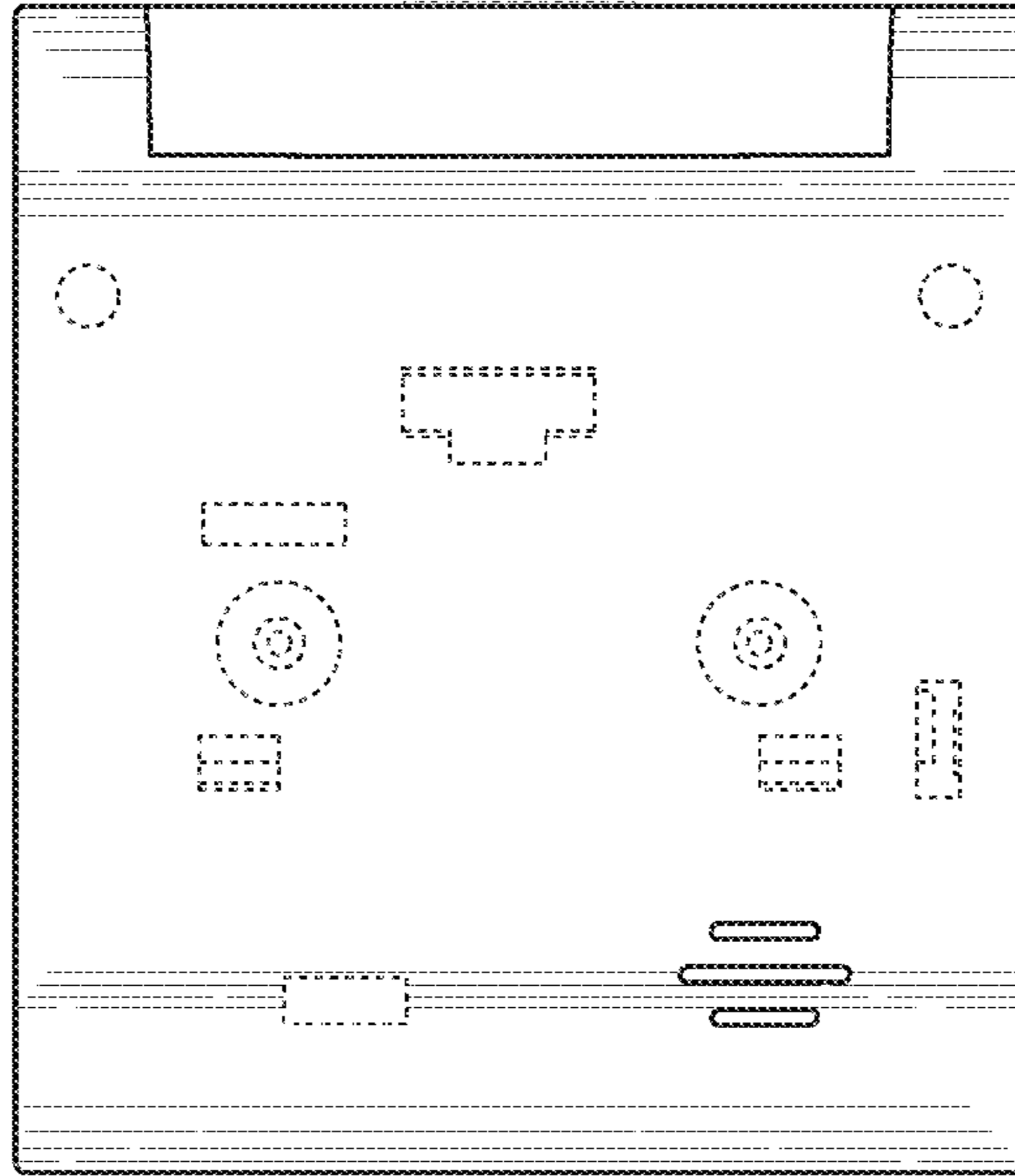


FIG. 2

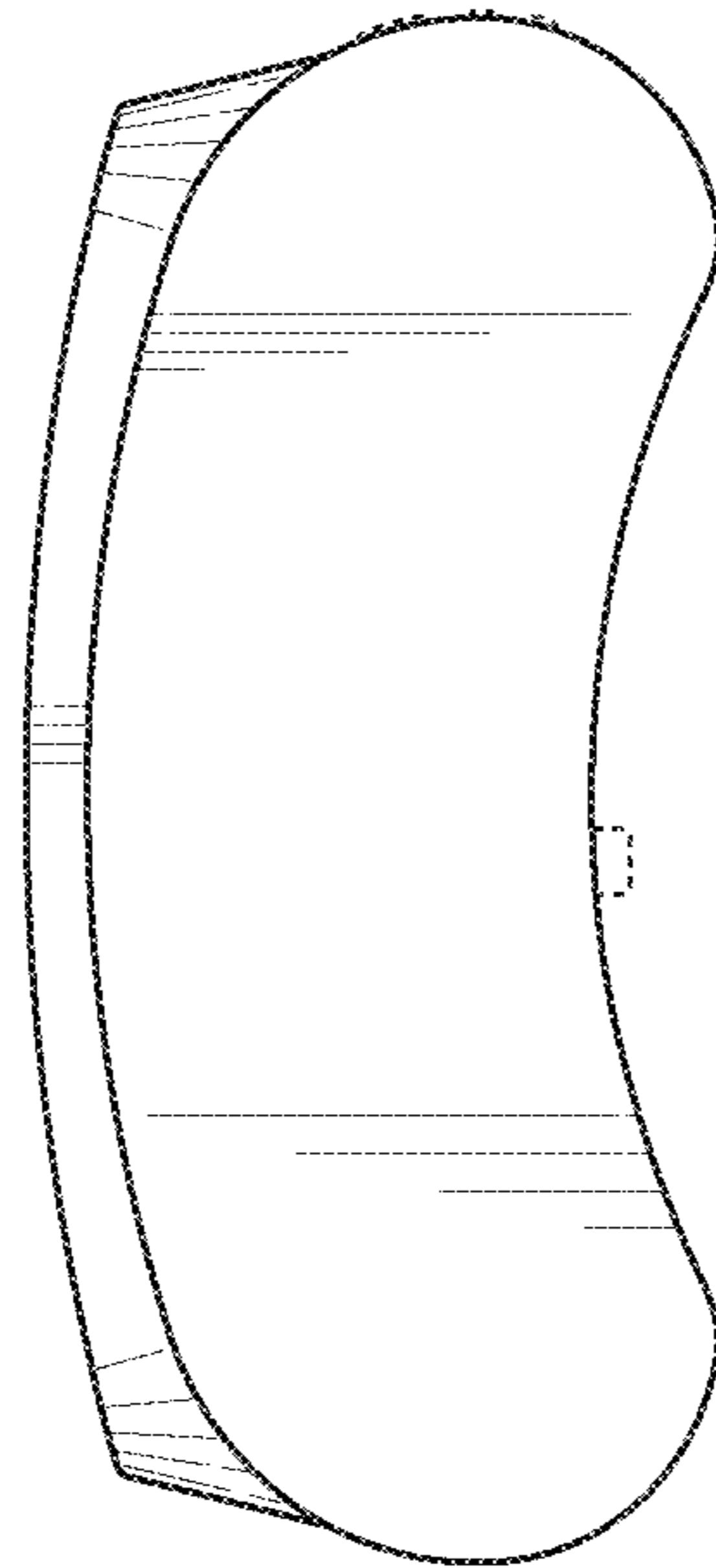


FIG.3

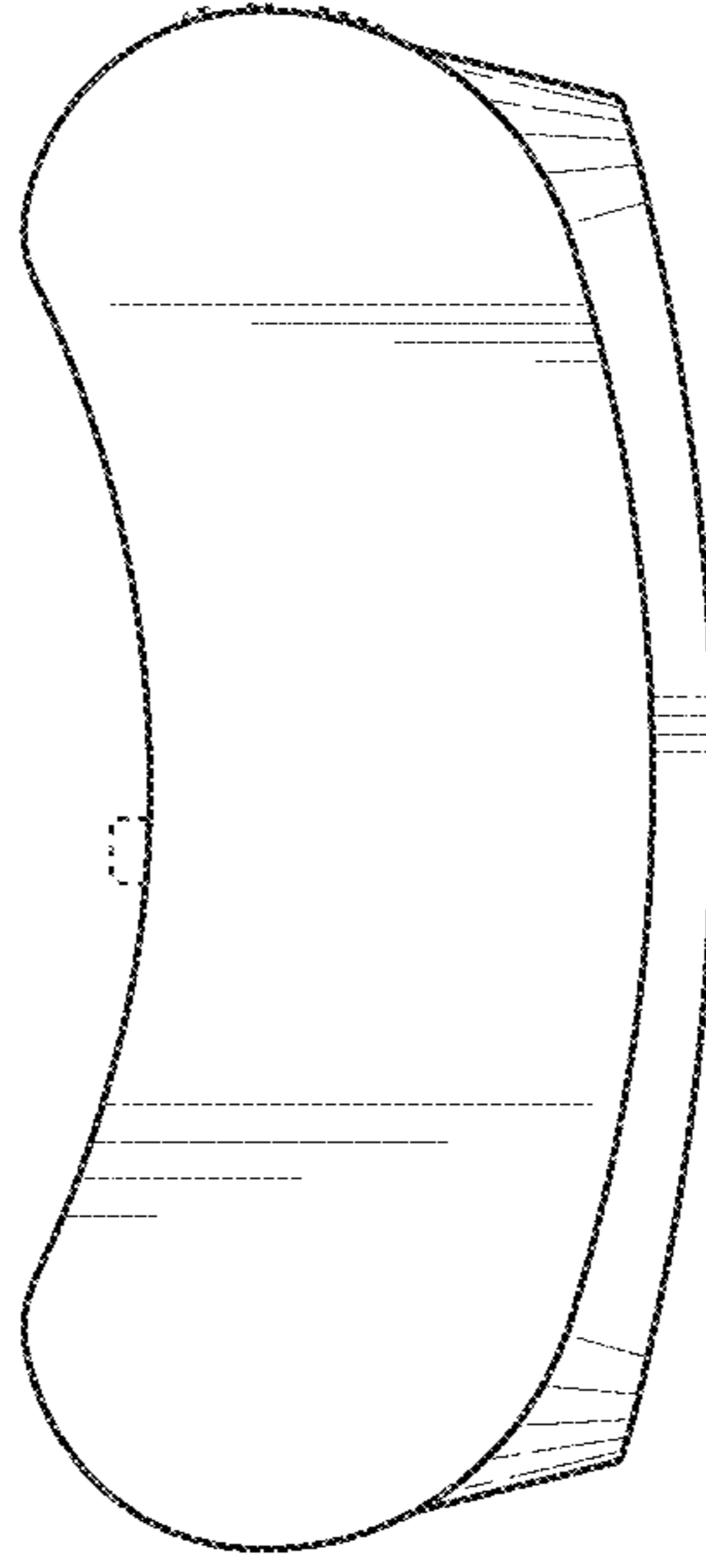


FIG.4

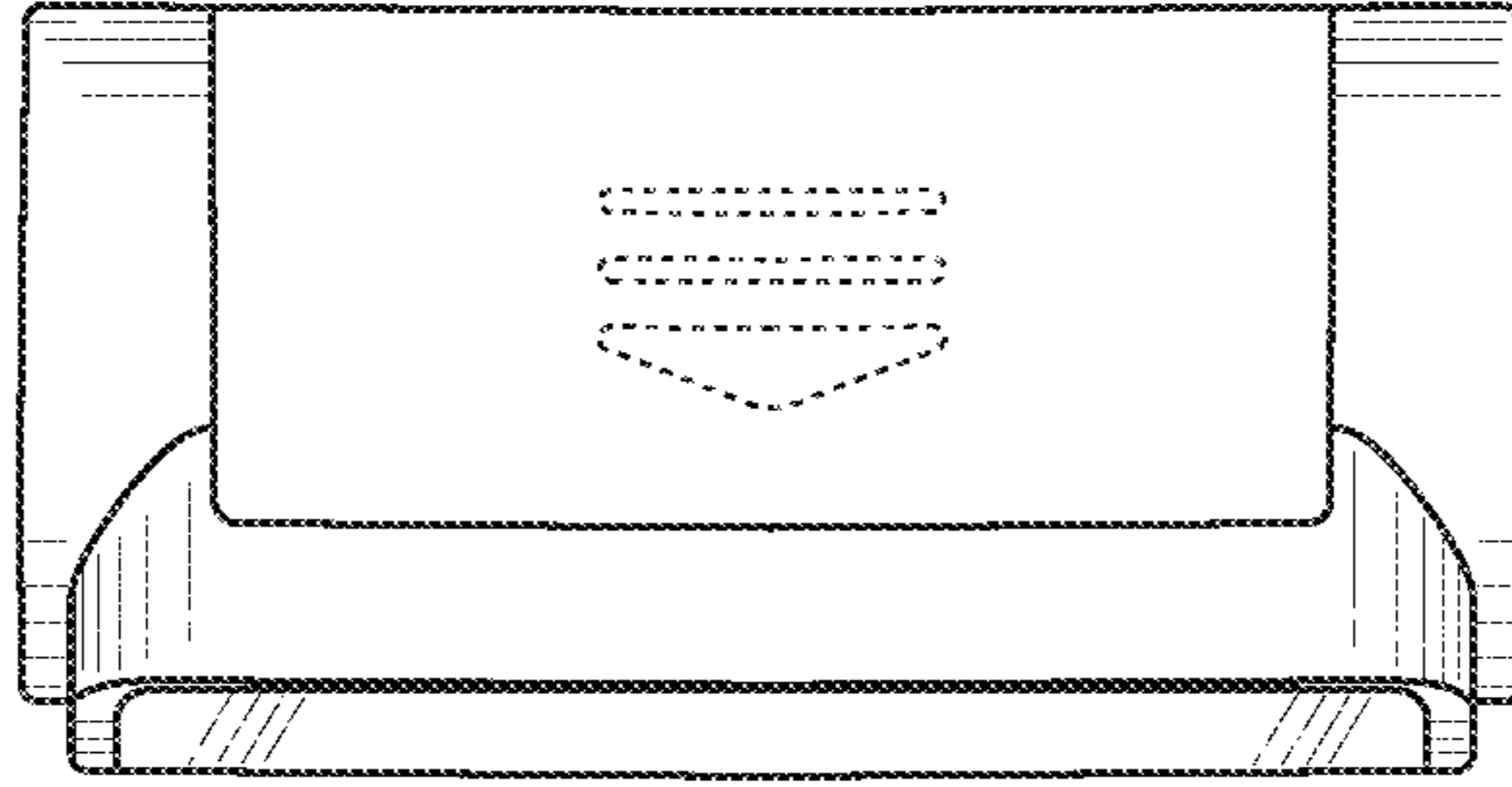


FIG.5

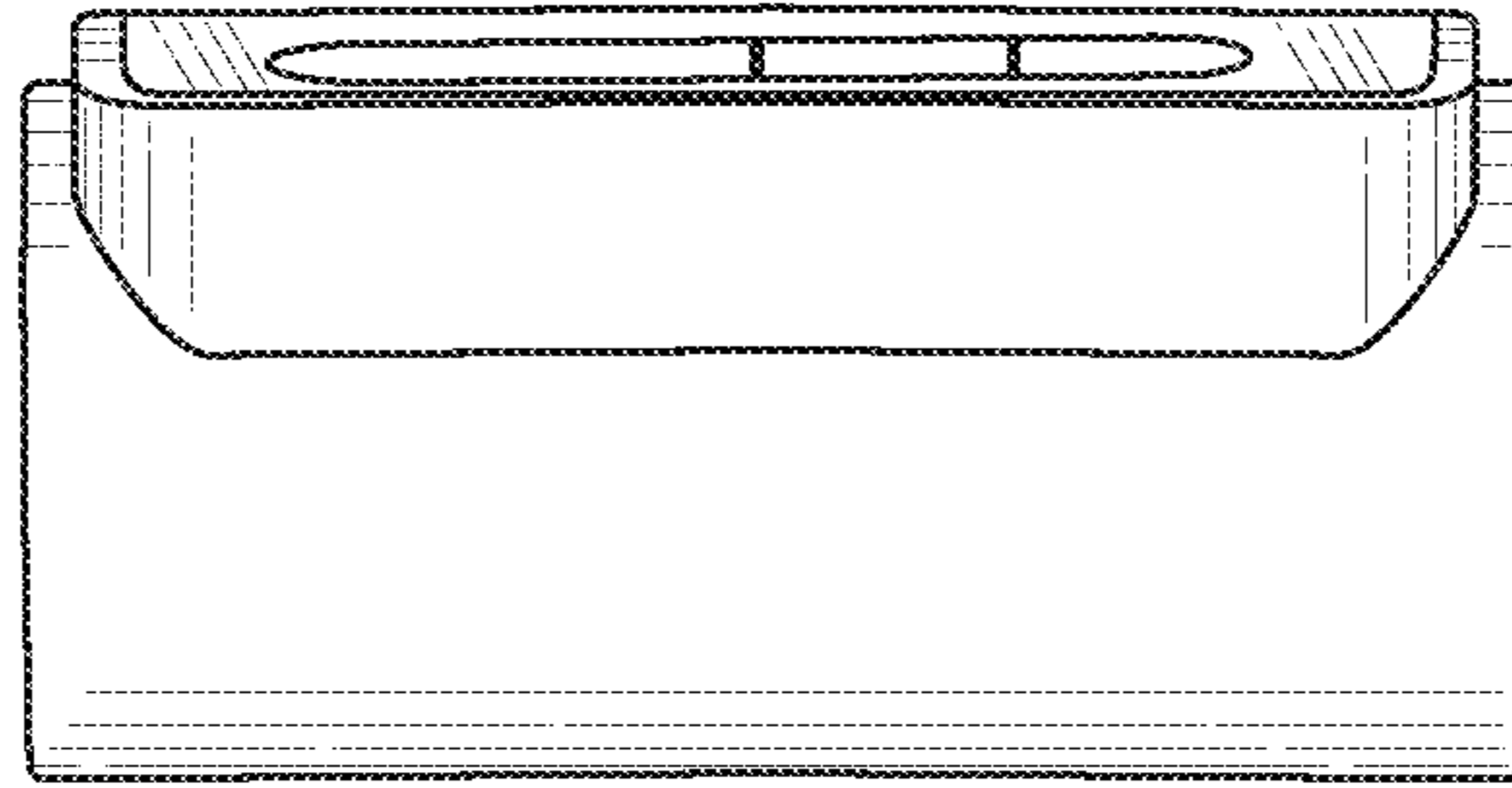


FIG.6

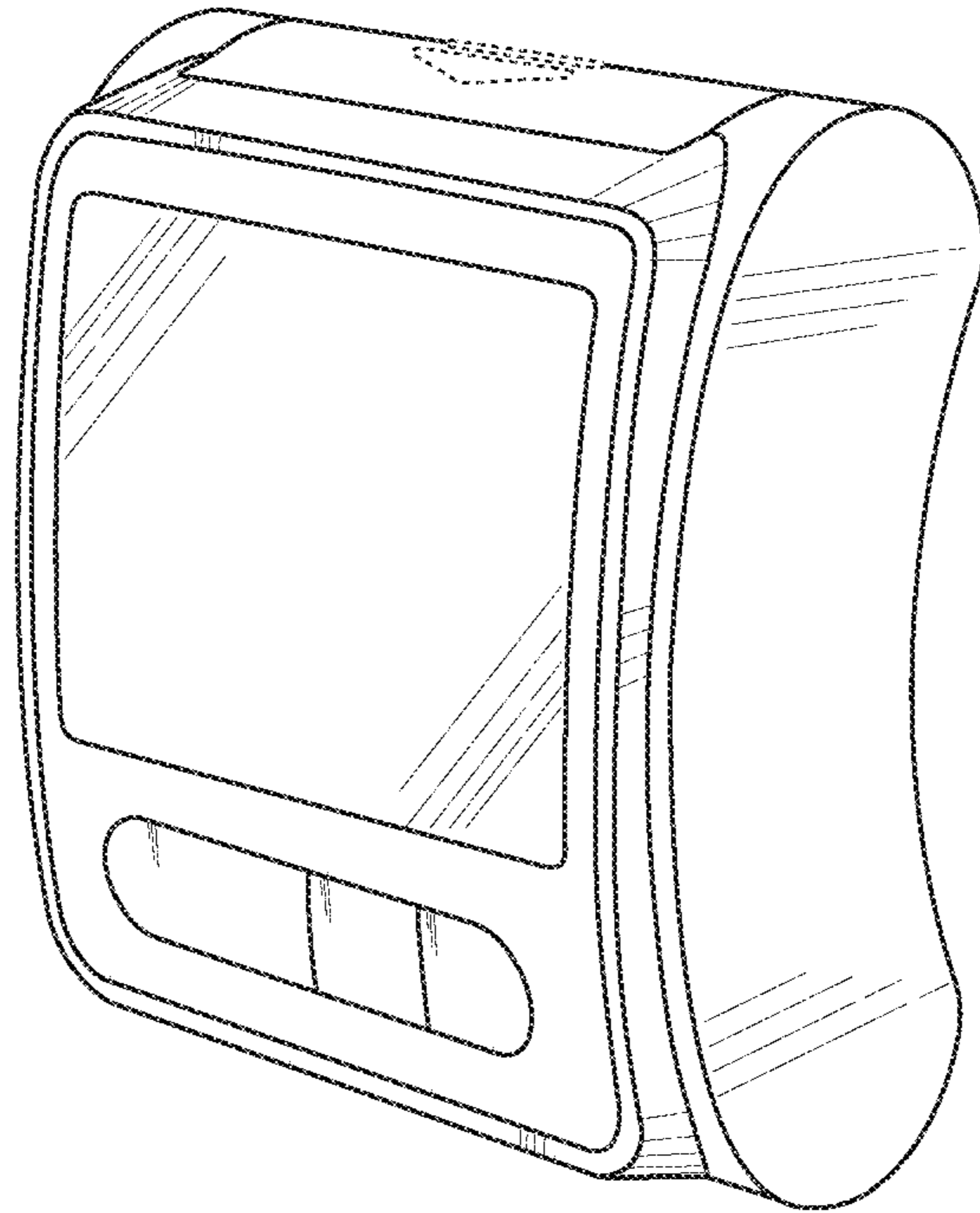


FIG.7

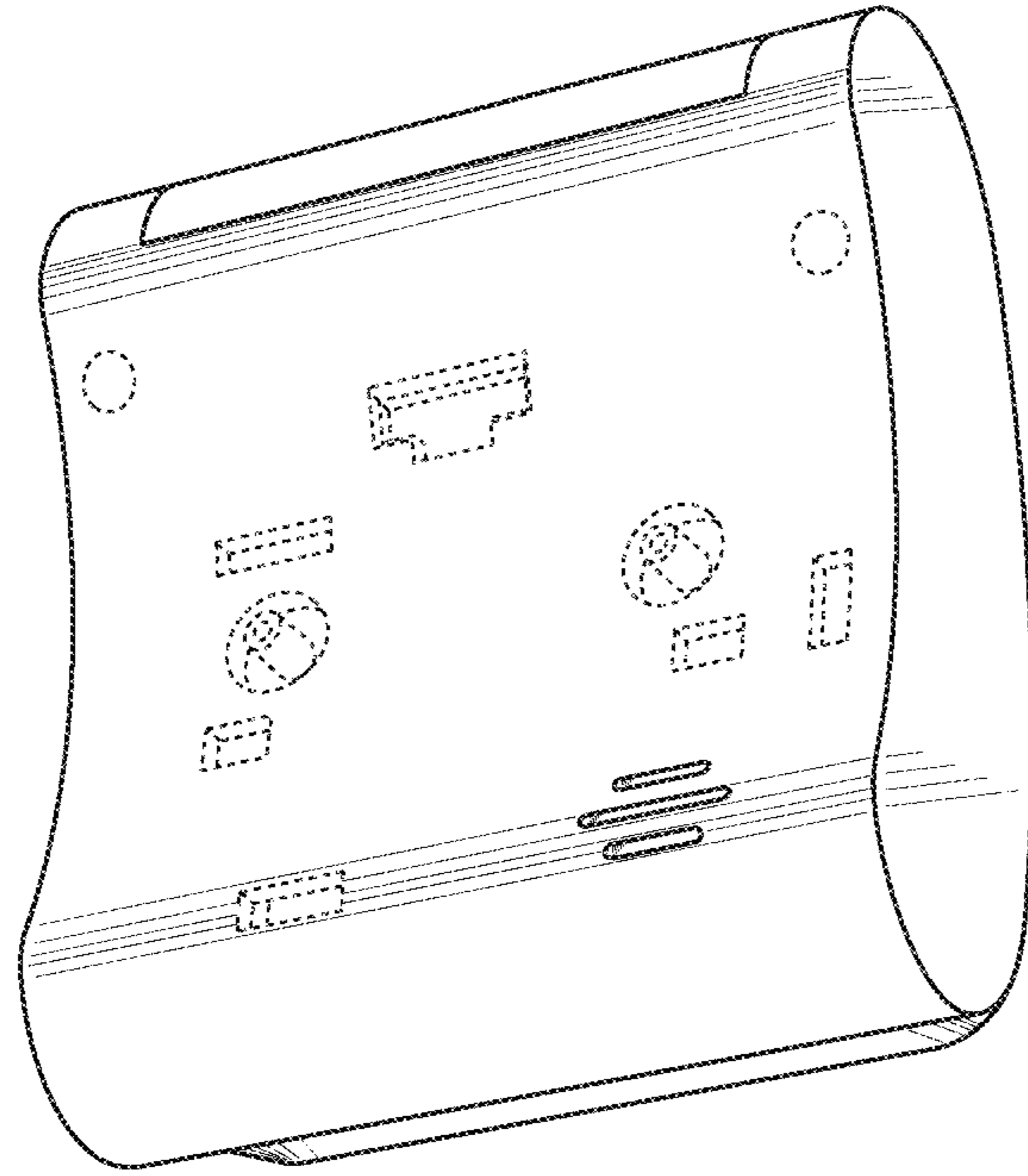


FIG.8