



US00D915595S

(12) **United States Design Patent** (10) **Patent No.:** **US D915,595 S**  
**Kim** (45) **Date of Patent:** **\*\* Apr. 6, 2021**

(54) **DENTAL IMPLANT DRILL**

(56) **References Cited**

(71) Applicant: **HAENAEM Co., Ltd.**, Pyeongtaek-si (KR)

U.S. PATENT DOCUMENTS

(72) Inventor: **Sung Ju Kim**, Pyeongtaek-si (KR)

D351,908 S *	10/1994	Shaw .....	D24/152
D420,445 S *	2/2000	Von Weissenfluh .....	D24/176
D853,562 S *	7/2019	Thome .....	D24/152
D882,087 S *	4/2020	Sarig .....	D24/152
D882,791 S *	4/2020	Qun .....	D24/146
D892,326 S *	8/2020	Qun .....	D24/146
D898,915 S *	10/2020	Chen .....	D24/152

(\*\*) Term: **15 Years**

\* cited by examiner

(21) Appl. No.: **35/508,478**

(22) Filed: **Jul. 30, 2019**

*Primary Examiner* — Eliza Z Bennett-Hattan

(80) **Hague Agreement Data**

Int. Filing Date: **Jul. 30, 2019**

Int. Reg. No.: **DM/205346**

Int. Reg. Date: **Jul. 30, 2019**

Int. Reg. Pub. Date: **Jan. 31, 2020**

(57) **CLAIM**

The ornamental design for a dental implant drill, as shown and described.

(51) **LOC (13) Cl.** ..... **24-02**

(52) **U.S. Cl.**  
USPC ..... **D24/152**

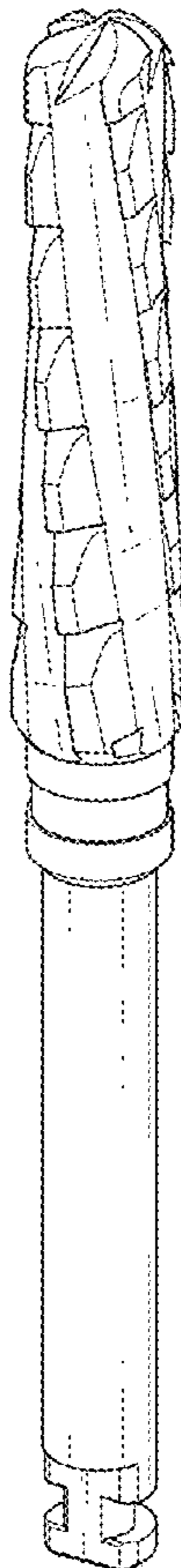
(58) **Field of Classification Search**  
USPC ..... D24/152, 176, 177, 146  
CPC ..... A61C 9/0053; A61C 13/34; A61C 7/002;  
A61C 13/0019; A61C 9/004; Y10T  
29/49567; Y10T 29/49568; G06T 17/00;  
G06T 2207/30036

**DESCRIPTION**

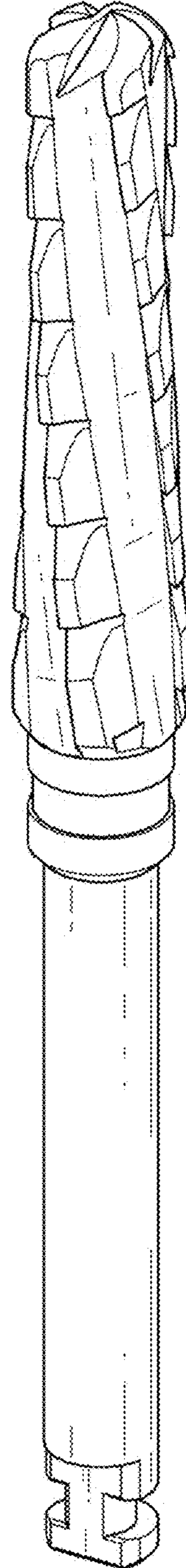
- 1. Dental implant drill
- 1.1 : Perspective
- 1.2 : Front
- 1.3 : Back
- 1.4 : Left
- 1.5 : Right
- 1.6 : Top
- 1.7 : Bottom

See application file for complete search history.

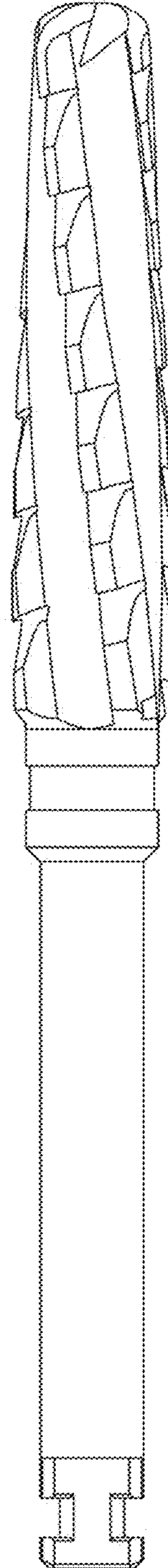
**1 Claim, 7 Drawing Sheets**



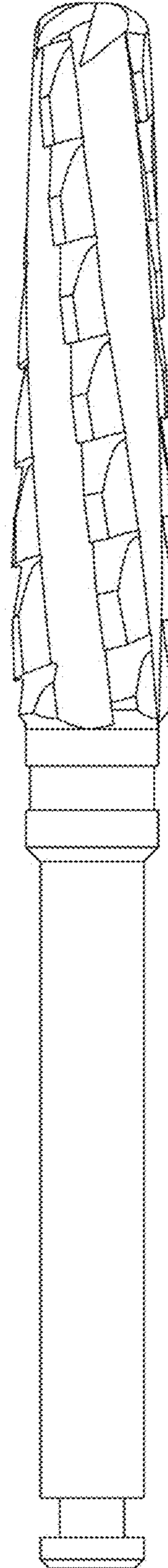
1.1



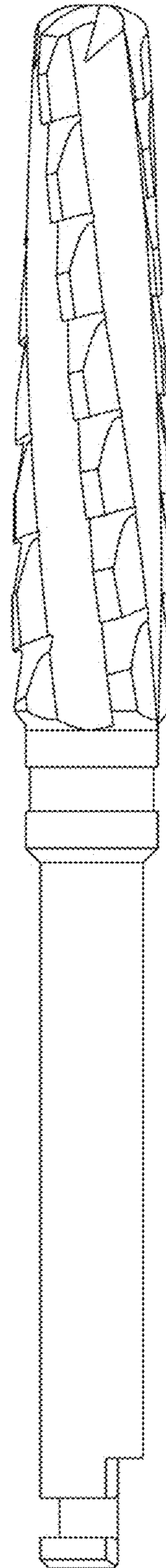
1.2



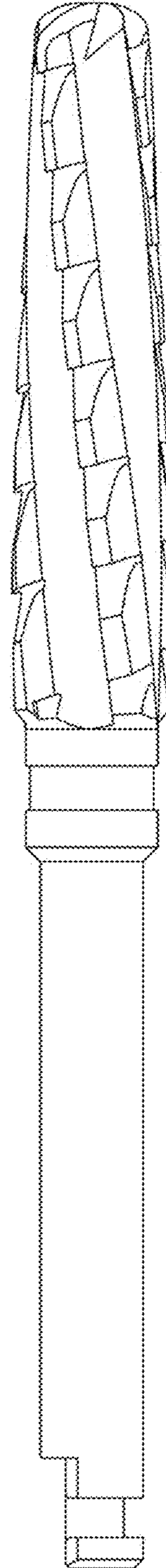
1.3



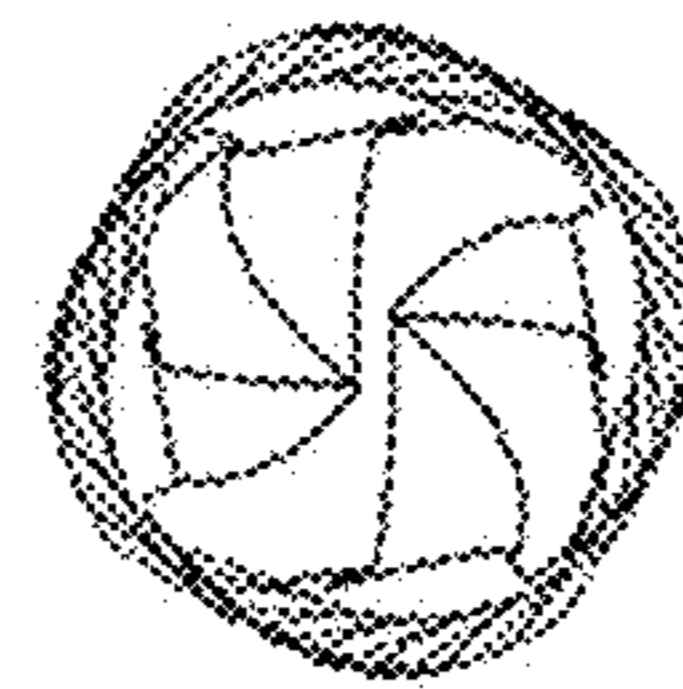
1.4



1.5



**1.6**



1.7

