



US00D915591S

(12) **United States Design Patent**
Cao

(10) **Patent No.:** **US D915,591 S**

(45) **Date of Patent:** **** Apr. 6, 2021**

(54) **ULTRASONIC CUTTER HEAD FOR MEDICAL PURPOSE**

(71) Applicant: **Beijing SMTP Technology Co., Ltd.**,
Beijing (CN)

(72) Inventor: **Qun Cao**, Beijing (CN)

(73) Assignee: **Beijing SMTP Technology Co., Ltd.**

(**) Term: **15 Years**

(21) Appl. No.: **29/693,654**

(22) Filed: **Jun. 4, 2019**

(30) **Foreign Application Priority Data**

Jan. 25, 2019 (CN) 201930043887.6

(51) **LOC (13) Cl.** **24-02**

(52) **U.S. Cl.**
USPC **D24/146**

(58) **Field of Classification Search**
USPC D24/108, 112, 113, 114, 117, 118, 119,
D24/127, 130, 133, 144, 146, 147, 148,
D24/185, 186, 129, 172, 173, 174, 176,
D24/135, 149, 134, 138, 145, 128, 214,
D24/215; D7/649; D8/20, 14, 17, 98,
D8/99, 100, 105, 47, 70, 95, 96;
D10/126; D23/129, 223, 249, 259, 262;
D28/7, 9, 20; D15/21-29, 138-140
CPC A61B 17/3211; A61B 17/320016; A61B
17/3213; A61B 17/0218; A61B
2017/32113; A61B 17/032; A61B
2018/1422; A61B 17/2909; A61B
17/0469; A61B 17/0483; A61B 17/0485;
A61B 1/313; A61B 1/3132; A61B
1/3135; A61B 1/3137; A61B 1/317; A61B
1/32; A61B 1/314; A61B 1/315; A61B
1/316; A61B 17/06066; A61B 17/06004;
A61B 2017/0608; A61B 2017/06028;
A61B 1/00094; A61B 17/3417; A61B
17/14; A61B 17/142; A61B 17/32002;

A61B 17/1615; A61B 17/162; A61B
17/1624; A61B 17/1633; A61B 17/1637;
A61B 17/1659; A61B 17/16; A61B
17/1604; A61B 17/144; A61B 17/1642;
A61B 2017/00473; A61B 2017/320032;
A61B 2017/32116; A61B 2017/3454;
A61B 2017/00261; A61B 2017/320075;
A61B 2017/32007; A61B 2017/320077;
A61B

(Continued)

(56) **References Cited**

U.S. PATENT DOCUMENTS

D341,202 S * 11/1993 Hood D24/133
D347,232 S * 5/1994 Massa D15/138

(Continued)

Primary Examiner — T Chase Nelson

Assistant Examiner — Kelly L Gross

(74) *Attorney, Agent, or Firm* — Saidman DesignLaw
Group, LLC

(57) **CLAIM**

The ornamental design for an ultrasonic cutter head for
medical purpose, as shown and described.

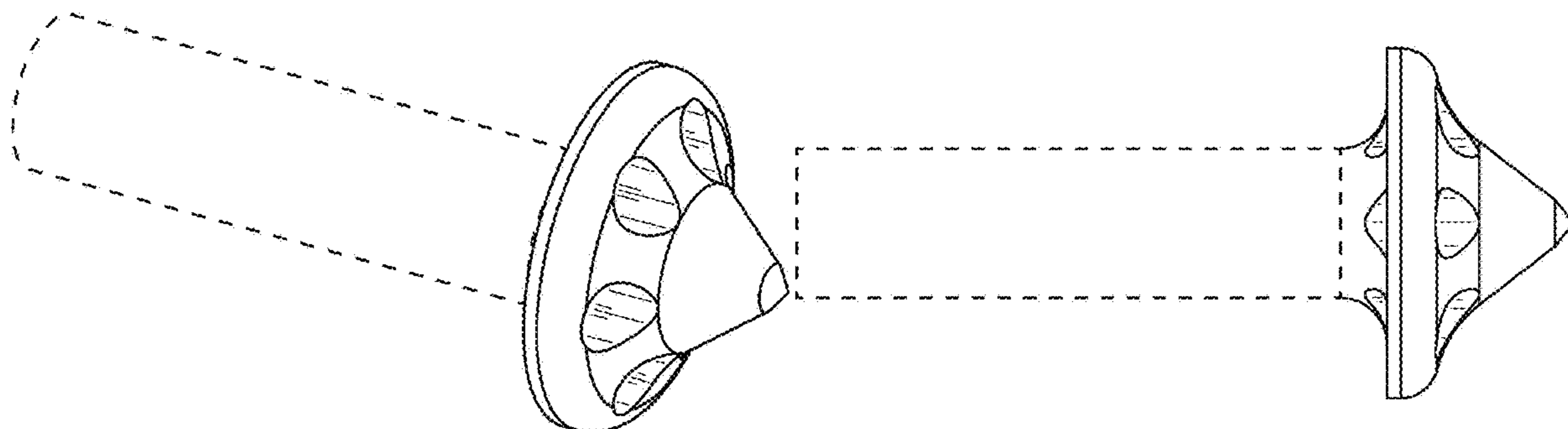
DESCRIPTION

FIG. 1 is a perspective view of an ultrasonic cutter head for
medical purpose showing my new design;
FIG. 2 is a front view thereof;
FIG. 3 is a rear view thereof;
FIG. 4 is a left side view thereof;
FIG. 5 is a right side view thereof;
FIG. 6 is a top view thereof; and,
FIG. 7 is a bottom view thereof.

The broken lines illustrate structure or features which form
no part of the claimed design.

The six circles shown in the right side view are apertures that
connect to the six circles in the left side view.

1 Claim, 6 Drawing Sheets



(58) **Field of Classification Search**

CPC 2017/007; A61B 90/30; A61B 2018/1412;
 B23D 77/02; B23D 61/006; B23D
 61/121; B23P 15/32; B27B 19/006; B23B
 51/02; B23B 51/08; B23B 51/10; B23B
 51/00; B23B 2251/50; B23B 2251/18;
 B23B 2251/46; B23B 2222/28; B23B
 2240/08; Y10S 408/713; Y10S 408/9097;
 Y10S 408/899; Y10S 408/90; Y10T
 407/26; A61C 3/02; A61C 8/0089; A61C
 1/07

See application file for complete search history.

(56) **References Cited**

U.S. PATENT DOCUMENTS

5,484,191 A * 1/1996 Sollami E21B 10/567
 299/105
 5,551,760 A * 9/1996 Sollami E21C 35/183
 299/105
 D387,072 S * 12/1997 Ojanen D15/139
 D392,654 S * 3/1998 Stratford D15/140
 D400,418 S * 11/1998 Lui D8/70
 D404,629 S * 1/1999 Cooper D8/70
 D404,630 S * 1/1999 Cooper D8/70
 D409,210 S * 5/1999 Cooper D15/140
 D420,013 S * 2/2000 Warren D15/139
 D429,262 S * 8/2000 Streich D15/140
 D433,909 S * 11/2000 Long D15/140
 D434,630 S * 12/2000 Oliver D8/70
 6,199,956 B1 * 3/2001 Kammerer B28D 1/188
 299/111
 D474,387 S * 5/2003 Chunn D15/140
 D514,416 S * 2/2006 Watson D15/140
 D514,417 S * 2/2006 Watson D15/140
 D520,035 S * 5/2006 Kammerer D15/139
 D533,425 S * 12/2006 Yaksich D8/70
 D540,645 S * 4/2007 Yaksich D15/138
 D542,814 S * 5/2007 Concari D15/140
 D553,169 S * 10/2007 Sakata D15/139
 D555,181 S * 11/2007 Hu D15/140
 D556,225 S * 11/2007 Sakata D15/139
 D565,376 S * 4/2008 Hu D8/70
 D567,617 S * 4/2008 Zhou D8/70
 D569,208 S * 5/2008 Concari D8/70
 D572,735 S * 7/2008 Kammerer D15/139
 D580,727 S * 11/2008 Mack D8/70
 D582,950 S * 12/2008 Yamaguchi D15/144
 D582,951 S * 12/2008 Yamaguchi D15/144
 D585,918 S * 2/2009 Chiang D15/139
 D590,228 S * 4/2009 Aglassinger D8/70
 D590,685 S * 4/2009 Sterling D15/140
 D594,306 S * 6/2009 Decker D15/138
 D594,308 S * 6/2009 Davies D8/98
 D627,804 S * 11/2010 Fader D15/139
 D627,809 S * 11/2010 Kammerer D15/139
 D629,024 S * 12/2010 Grace D15/126
 D636,797 S * 4/2011 Kammerer D15/139
 D637,213 S * 5/2011 Kammerer D15/139
 D643,864 S * 8/2011 Jackson D15/140
 D649,430 S * 11/2011 Spragg D8/323
 D656,974 S * 4/2012 Lyon D15/139

D660,421 S * 5/2012 Miller D24/133
 D692,935 S * 11/2013 Meier D15/123
 8,974,481 B2 * 3/2015 Heinen A61B 17/32093
 606/185
 D732,400 S * 6/2015 Hua D9/724
 D735,007 S * 7/2015 Schenk D8/70
 D735,549 S * 8/2015 Schenk D8/70
 D742,948 S * 11/2015 Kenno D15/139
 D742,949 S * 11/2015 Kenno D15/139
 D743,549 S * 11/2015 Sarig D24/146
 D743,766 S * 11/2015 Tsai D8/30
 D743,803 S * 11/2015 Brandenburg D9/564
 D748,154 S * 1/2016 Cherry D15/28
 D756,730 S * 5/2016 Sharpe D8/14
 9,566,121 B2 * 2/2017 Staunton A61B 34/30
 D808,449 S * 1/2018 Buhr D15/139
 D811,220 S * 2/2018 Bohorquez Montenegro
 D9/453
 D812,294 S * 3/2018 Wilson D28/7
 9,943,340 B2 * 4/2018 Whipple A61B 17/8615
 D819,098 S * 5/2018 Buhr E21C 35/18
 D15/139
 D820,441 S * 6/2018 Ketelhohn A61M 1/0058
 D24/127
 D837,011 S * 1/2019 Sakamaki D8/70
 D841,063 S * 2/2019 Friederichs D15/139
 D845,484 S * 4/2019 Bilodeau D24/152
 D849,112 S * 5/2019 Katori D16/219
 D850,930 S * 6/2019 Wang D9/724
 10,335,170 B2 * 7/2019 Victor A61B 17/1615
 D856,141 S * 8/2019 Jasso Gomez D9/449
 D859,946 S * 9/2019 Kukucka D8/29
 D859,947 S * 9/2019 Kukucka D8/29
 D863,386 S * 10/2019 Swope D15/139
 D866,066 S * 11/2019 Yang D28/7
 D868,122 S * 11/2019 Rose D15/139
 D870,848 S * 12/2019 Sesser D23/214
 D870,849 S * 12/2019 Sesser D23/214
 D875,246 S * 2/2020 Bilodeau D24/152
 D878,438 S * 3/2020 Bono D15/139
 D878,586 S * 3/2020 Foroni D24/147
 D878,888 S * 3/2020 Liao D8/70
 10,582,933 B2 * 3/2020 Bono A61B 17/162
 D882,082 S * 4/2020 Qun D24/146
 D882,792 S * 4/2020 Qun A61B 34/30
 D24/146
 D884,281 S * 5/2020 Pellereau D28/73
 D892,868 S * 8/2020 Bradford D15/21
 D893,029 S * 8/2020 Qun A61B 17/32093
 D24/146
 D903,733 S * 12/2020 Baumann D15/138
 D904,212 S * 12/2020 Symanczyk B23B 51/02
 D10/80
 D904,605 S * 12/2020 Shi D24/130
 D905,770 S * 12/2020 Klamm D15/139
 D906,528 S * 12/2020 Qiao D24/211
 D907,668 S * 1/2021 Montgomery D15/19
 10,882,121 B2 * 1/2021 Nishikoori B23B 51/02
 2005/0212345 A1 * 9/2005 Sleep E21C 35/197
 299/105
 2006/0125307 A1 * 6/2006 Sollami E21C 35/197
 299/107

* cited by examiner

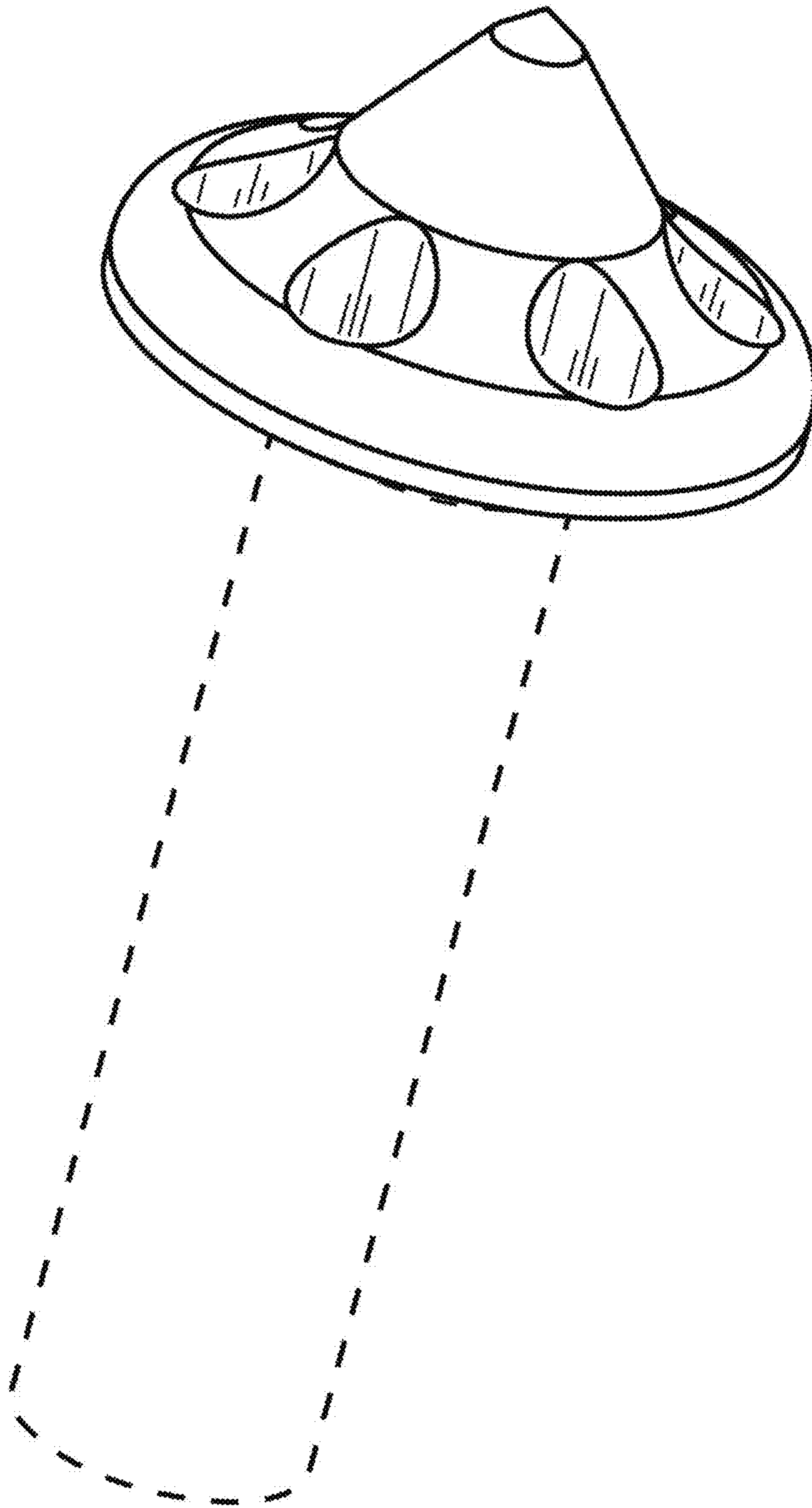


FIG. 1

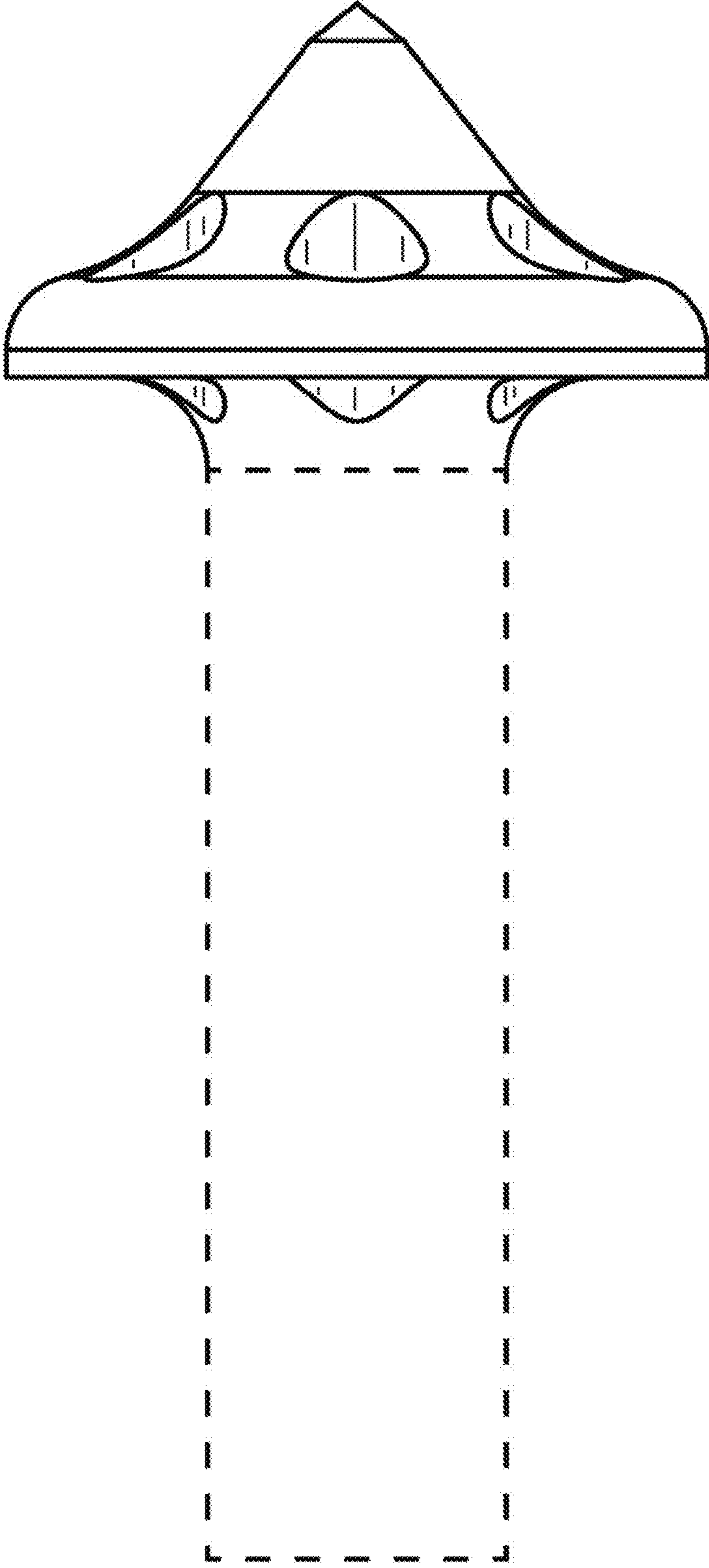


FIG. 2

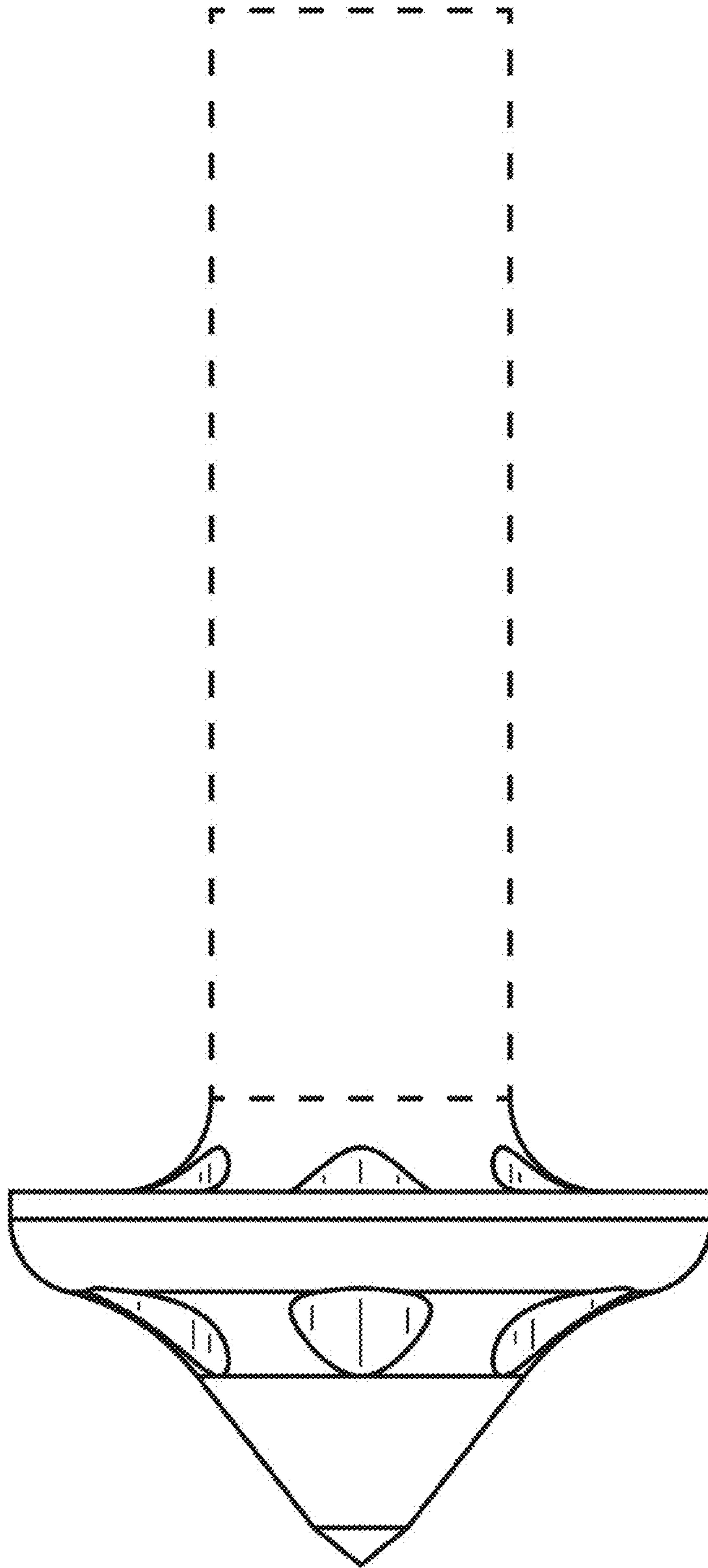


FIG. 3

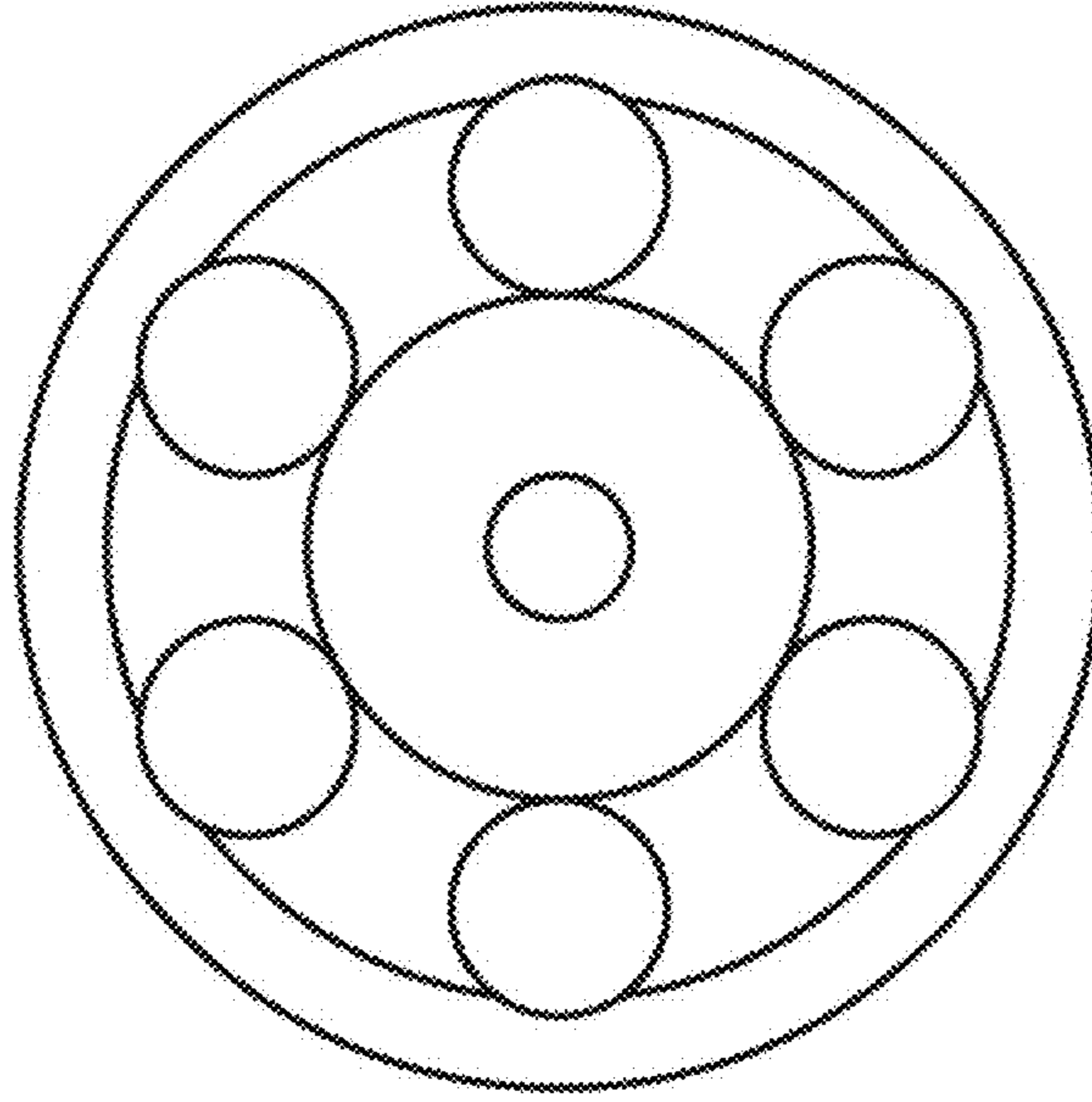


FIG. 5

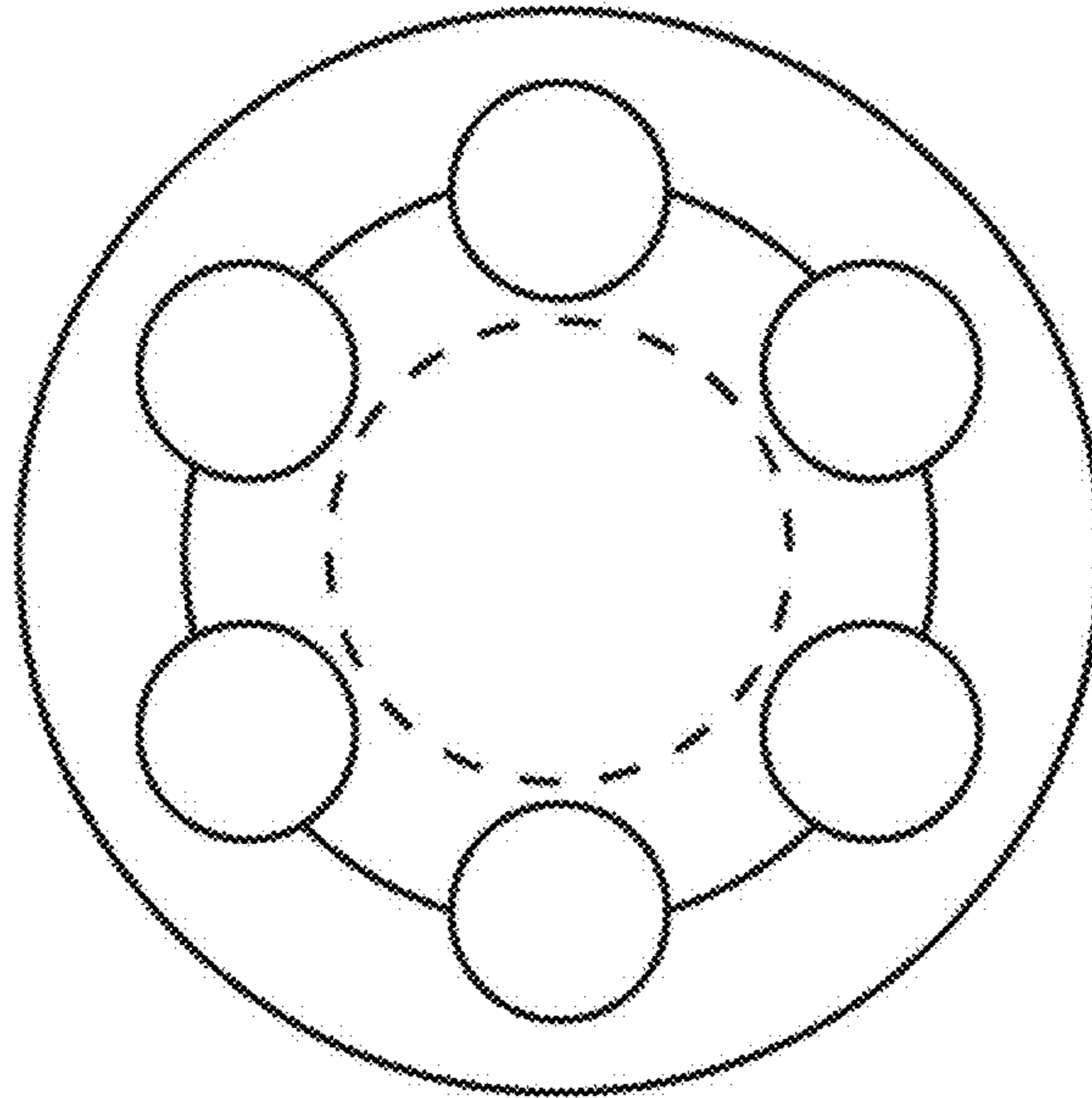


FIG. 4

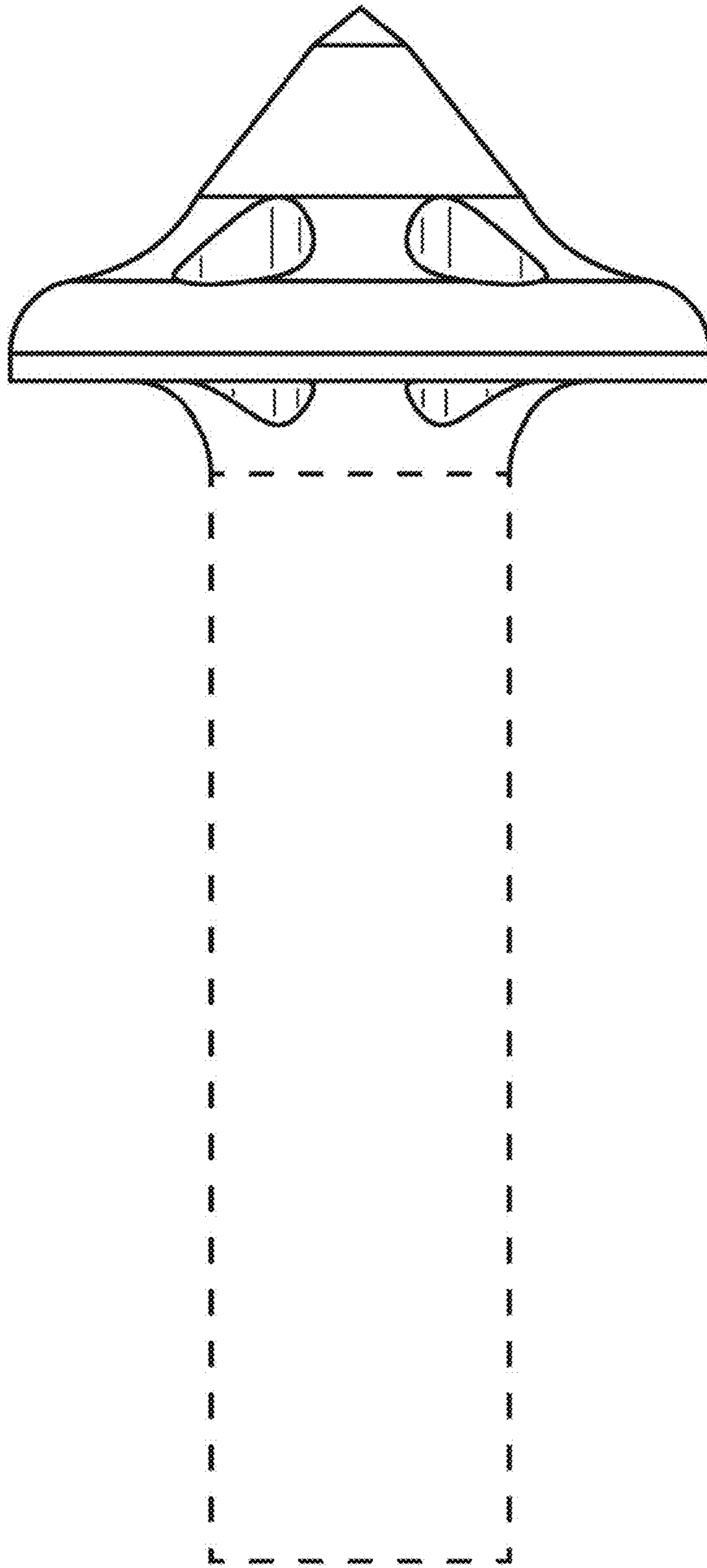


FIG. 6

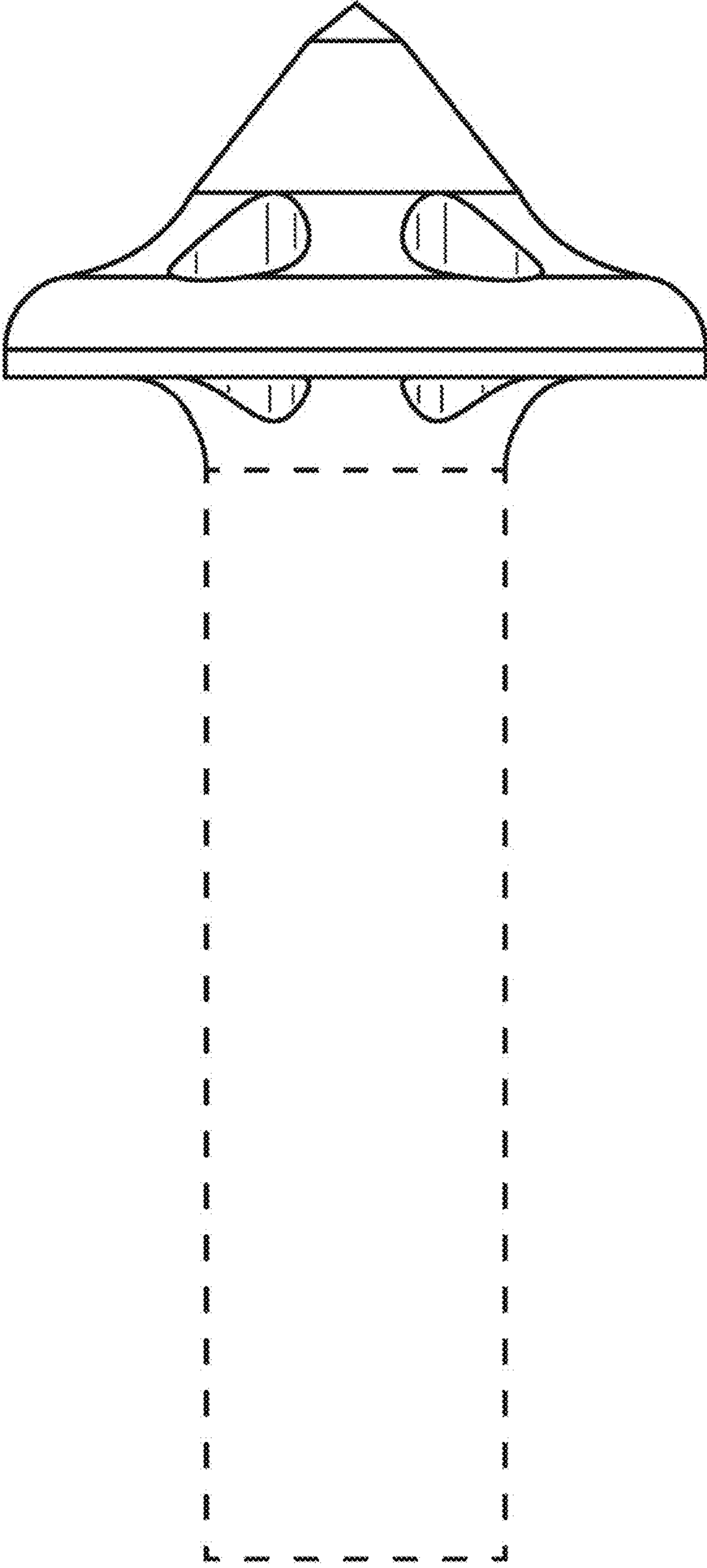


FIG. 7