



US00D915589S

(12) **United States Design Patent** (10) **Patent No.:** **US D915,589 S**
Wang (45) **Date of Patent:** **** Apr. 6, 2021**

(54) **TATTOO NEEDLE CARTRIDGE**
(71) Applicant: **Yiwu Solong Electronic Technology Co., Ltd.**, Yiwu (CN)
(72) Inventor: **Quanyu Wang**, Yiwu (CN)
(73) Assignee: **Pujiang Solong Intelligent Technology Co., Ltd.**, Zhejiang Province (CN)
(**) Term: **15 Years**
(21) Appl. No.: **29/733,203**
(22) Filed: **Apr. 30, 2020**

Related U.S. Application Data

(63) Continuation-in-part of application No. 29/671,271, filed on Nov. 26, 2018, now Pat. No. Des. 902,402.
(51) **LOC (13) Cl.** **24-02**
(52) **U.S. Cl.**
USPC **D24/144**
(58) **Field of Classification Search**
USPC D24/144, 146, 133; 81/9.22; 606/9, 167, 606/185-186
CPC A61M 37/0076; A61M 37/0084; A61M 37/0092; A61M 5/46; A61M 5/48
See application file for complete search history.

References Cited

U.S. PATENT DOCUMENTS

D842,468 S * 3/2019 Juan A61M 37/0076
D24/144
10,449,346 B2 * 10/2019 Juan A61M 37/0076

D887,001 S * 6/2020 Wang D24/144
2017/0072177 A1 * 3/2017 Oscar A61M 37/0076
2017/0072178 A1 * 3/2017 Xiao A61M 37/0084
2019/0134371 A1 * 5/2019 Johansson A61M 37/0076
2019/0217072 A1 * 7/2019 Xiao A61M 37/0084

OTHER PUBLICATIONS

Tattoo Needles Revolution Cartridge Weaved Magnum Shader #12 (0.35mm needle_1205M1 1207M1 1209M1 1211M 1213M1 20pcs/box. Aug. 24. Retrieved on Aug. 19, 2020. Retrieved from the Internet: <https://www.aliexpress.com/item/4000037015986.html>.*

* cited by examiner

Primary Examiner — Wan Laymon

(74) *Attorney, Agent, or Firm* — Bay State IP, LLC

(57) **CLAIM**

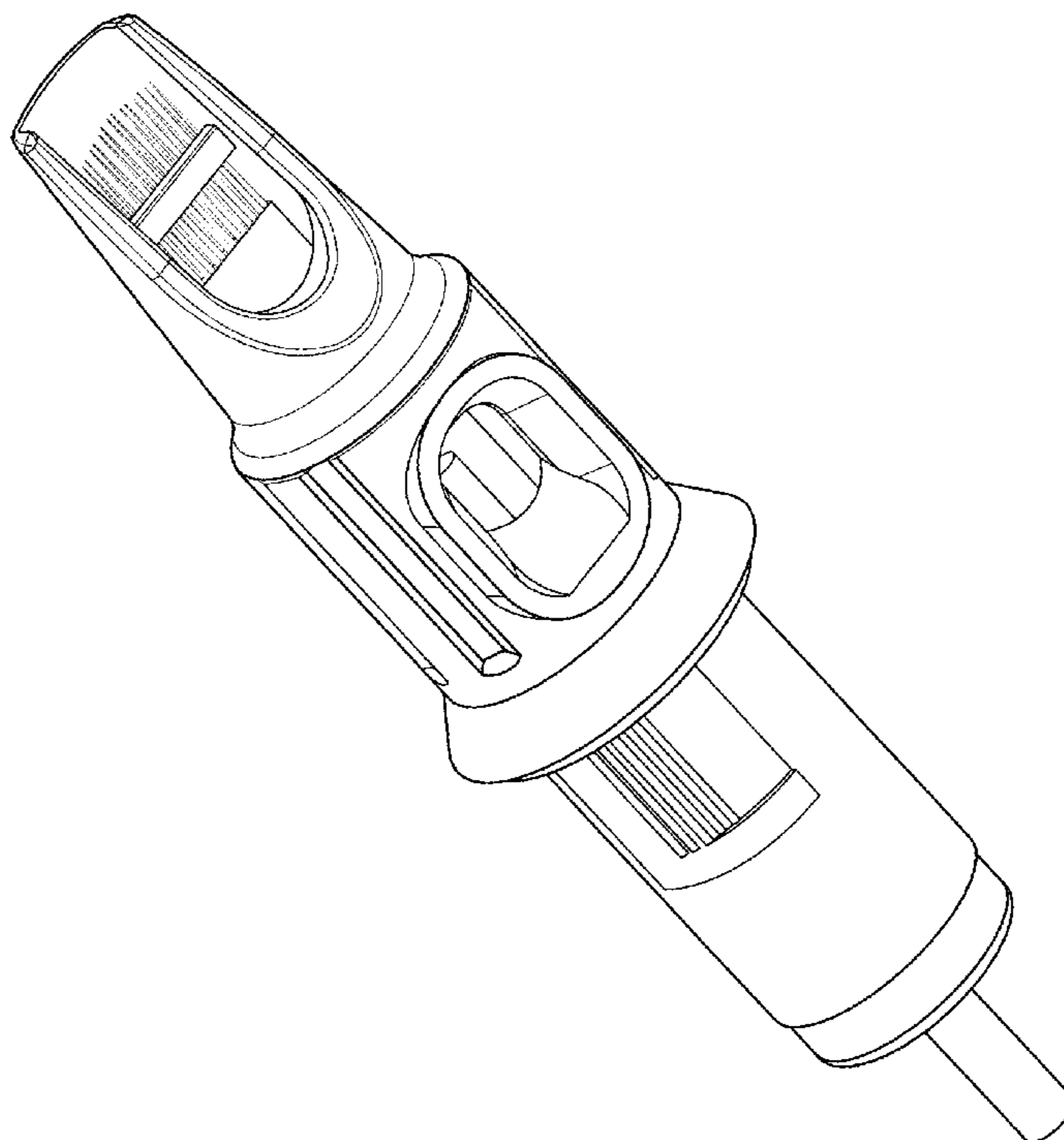
The ornamental design for a tattoo needle cartridge, as shown and described.

DESCRIPTION

FIG. 1 is an enlarged front perspective view of the tattoo needle cartridge;
FIG. 2 is a front view thereof;
FIG. 3 is a back view thereof;
FIG. 4 is an enlarged top view thereof;
FIG. 5 is an enlarged bottom view thereof;
FIG. 6 is a left side view thereof; and,
FIG. 7 is a right side view thereof.

The broken lines shown in the drawings are included for the purpose of illustrating portions of the tattoo needle cartridge and form no part of the claimed design.

1 Claim, 7 Drawing Sheets



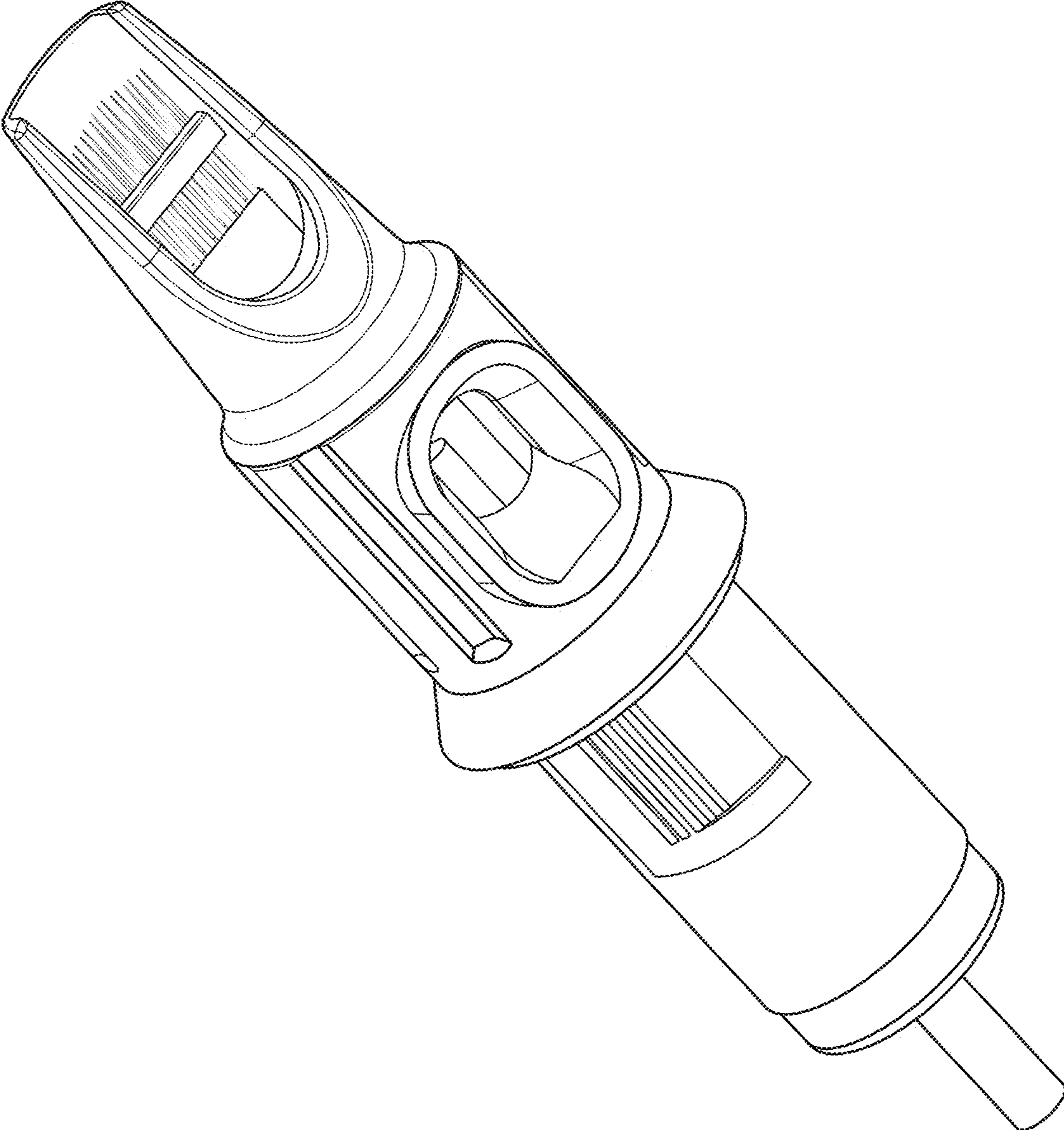


Fig. 1

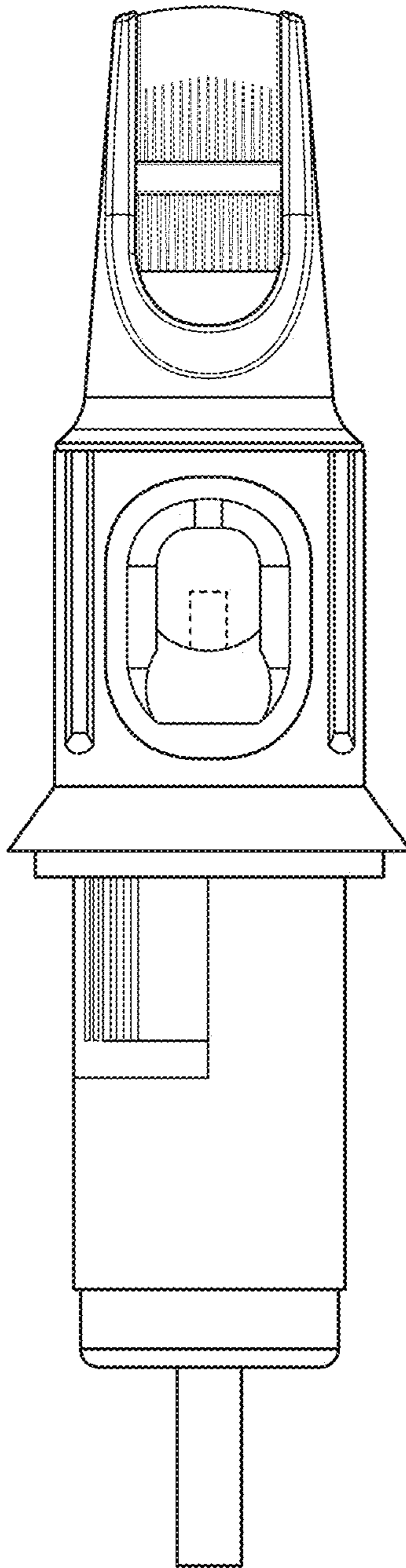


Fig. 2

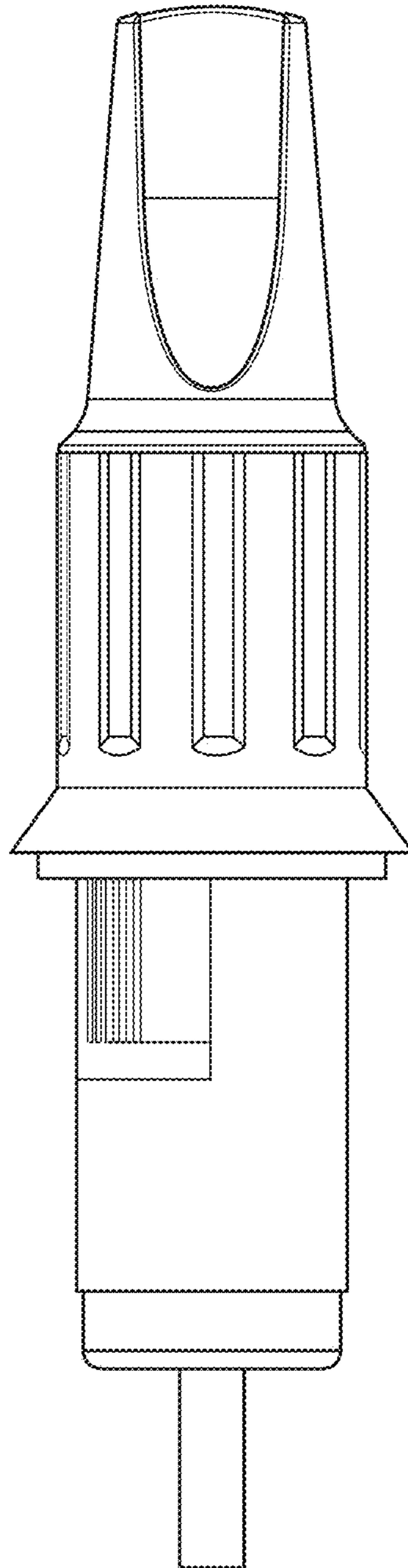


Fig. 3

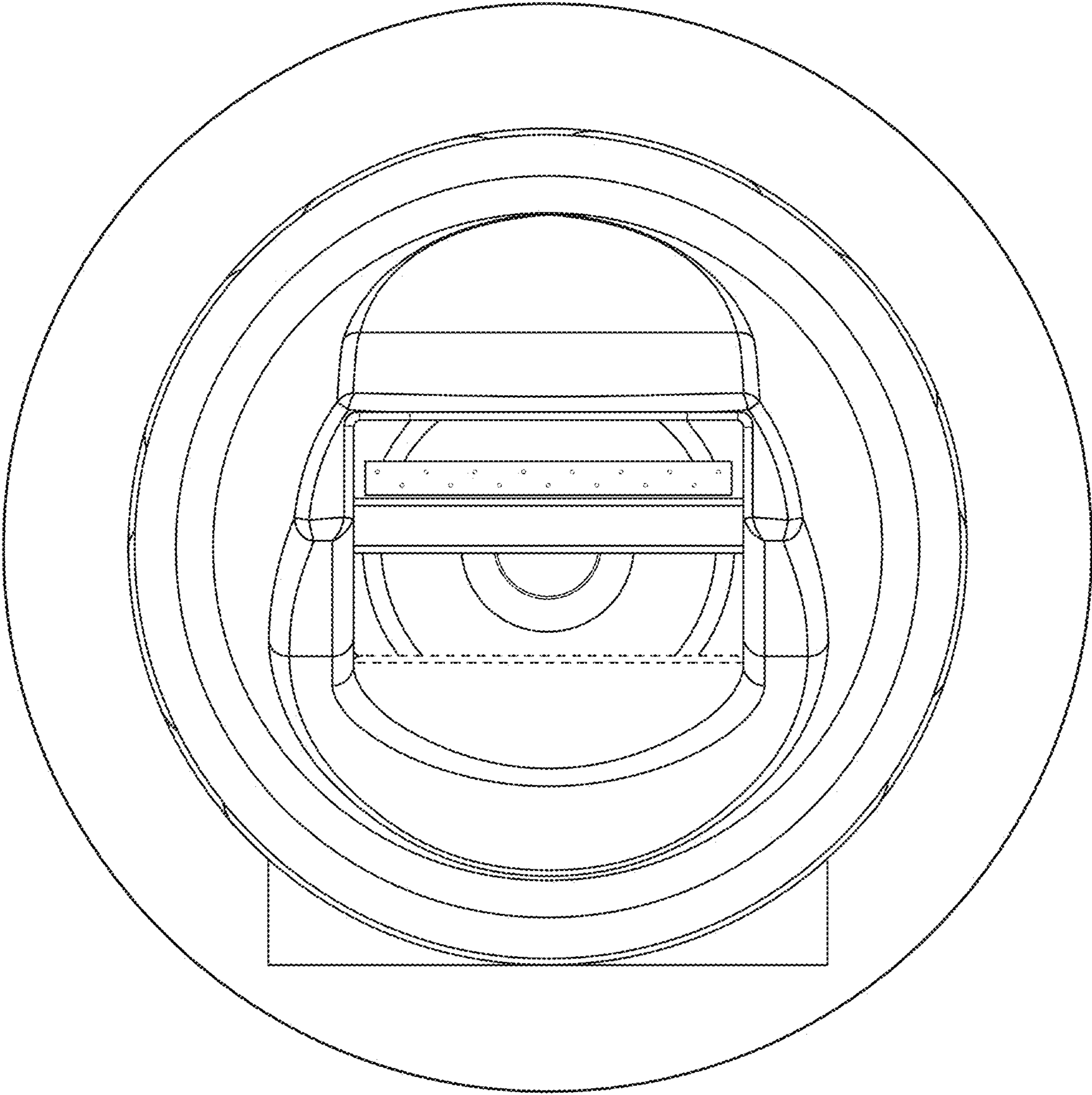


Fig. 4

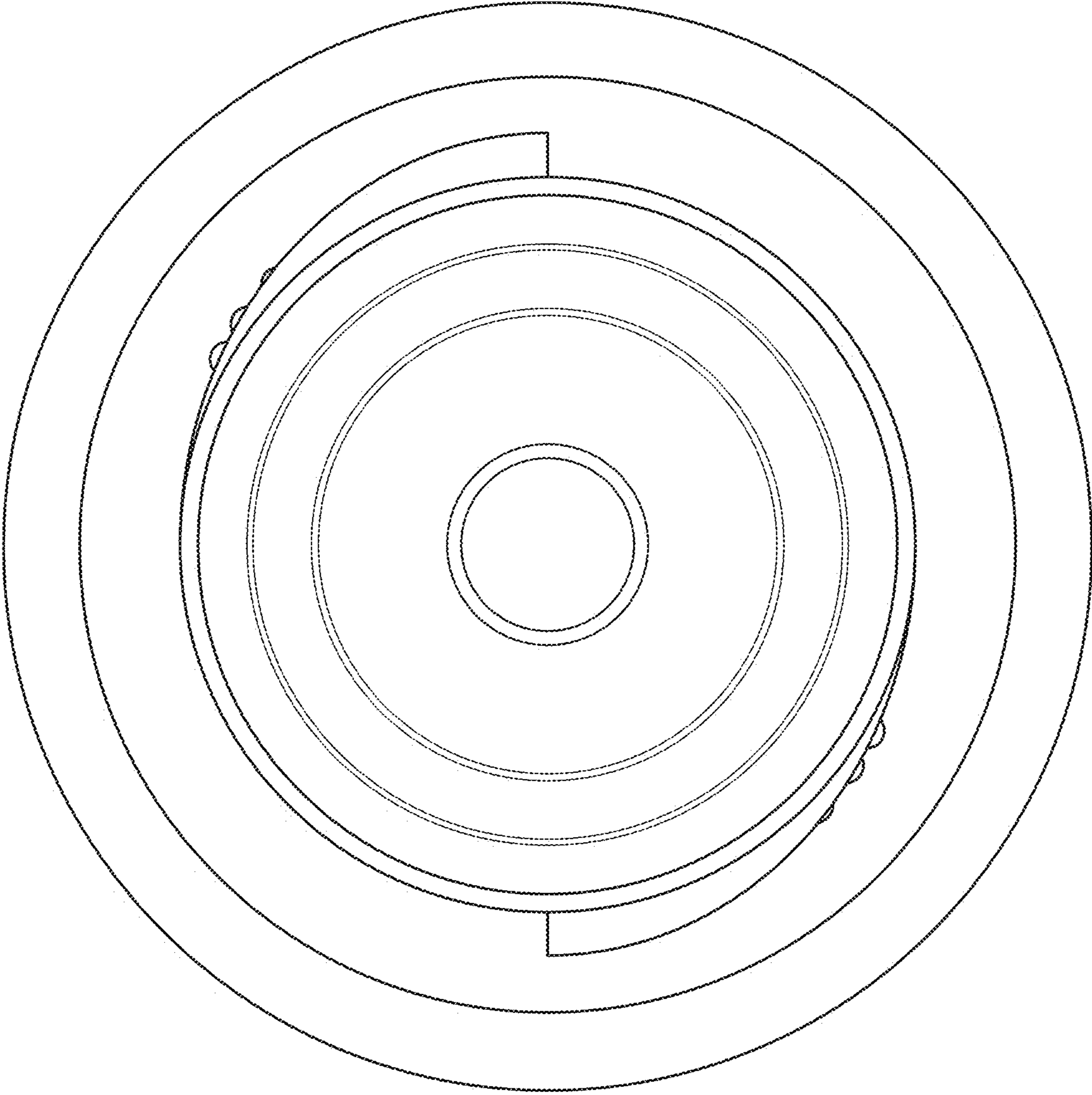


Fig. 5

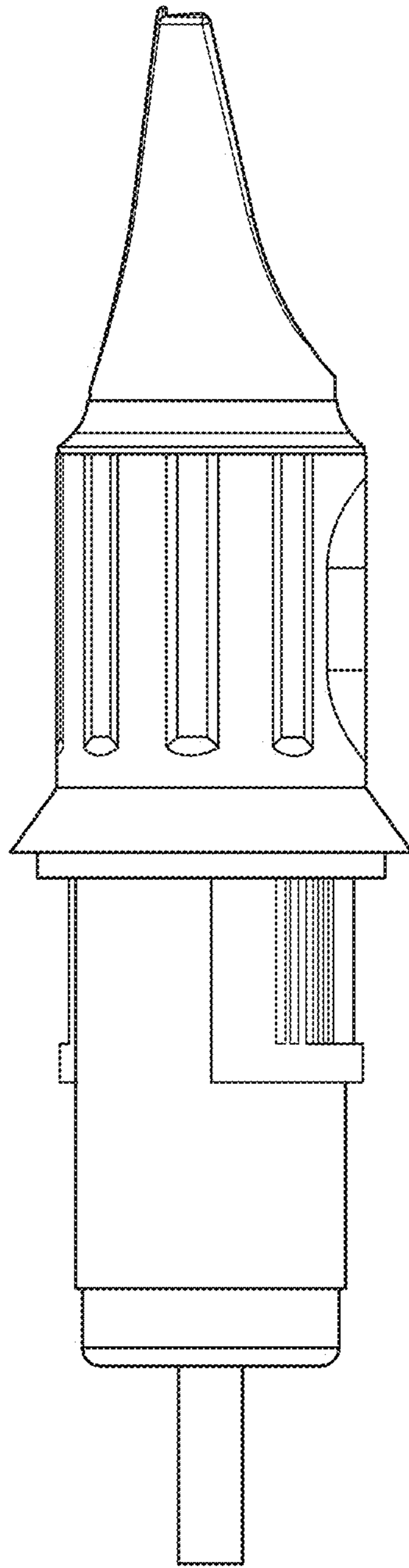


Fig. 6

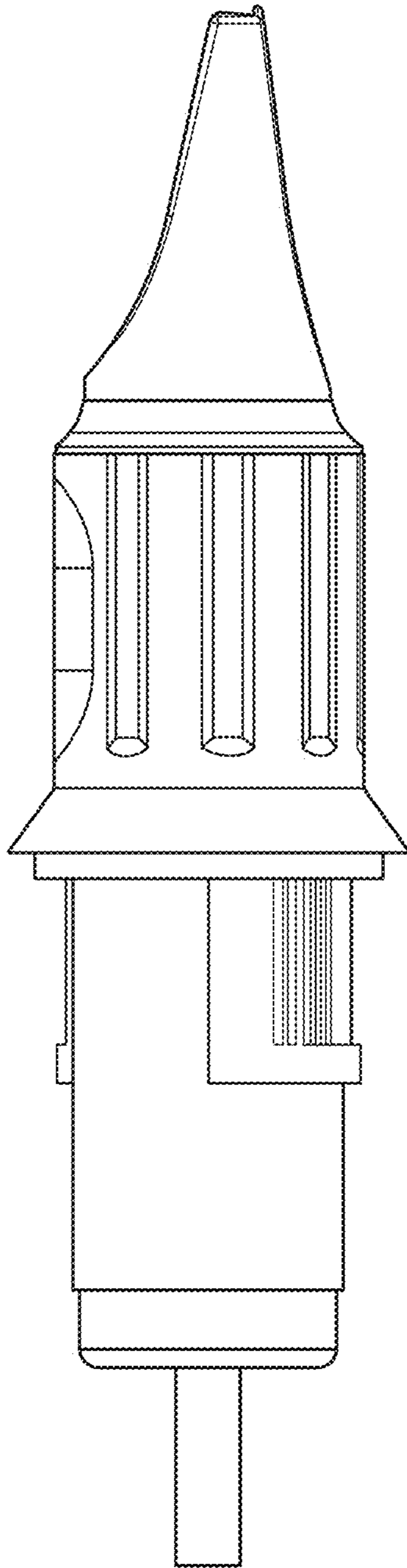


Fig. 7