



US00D915585S

(12) **United States Design Patent**
Wallace

(10) **Patent No.:** **US D915,585 S**

(45) **Date of Patent:** **** Apr. 6, 2021**

(54) **NASAL DILATOR**

(71) Applicant: **W. Thomas Wallace**, Durham, CT (US)

(72) Inventor: **W. Thomas Wallace**, Durham, CT (US)

(**) Term: **15 Years**

(21) Appl. No.: **29/688,629**

(22) Filed: **Apr. 23, 2019**

(51) **LOC (13) Cl.** **24-02**

(52) **U.S. Cl.**

USPC **D24/135**

(58) **Field of Classification Search**

USPC D24/133, 135, 143

CPC A61B 1/32; A61B 17/02; A61B 17/24;
A61F 5/08; A61F 5/56

See application file for complete search history.

(56) **References Cited**

U.S. PATENT DOCUMENTS

3,349,771	A	*	10/1967	Baer	A61F 5/08
						606/157
D298,966	S	*	12/1988	Rees	D24/135
D310,565	S	*	9/1990	Petruson	D24/135
D325,439	S	*	4/1992	Apple	D24/135
D438,967	S	*	3/2001	Alpers	D24/135
D540,462	S	*	4/2007	Groeneveld	D24/106
D561,335	S	*	2/2008	Pinter	D24/106
D568,994	S	*	5/2008	Kumar	D24/135
D579,111	S	*	10/2008	Pinter	D24/106
D579,112	S	*	10/2008	Pinter	D24/106
D601,698	S	*	10/2009	Stephenson	D24/135
D647,206	S	*	10/2011	Massad	D24/181

D726,312	S	*	4/2015	Johnson	D24/135
D753,821	S	*	4/2016	Pepper	D24/135
D754,851	S	*	4/2016	Pepper	D24/135
D759,239	S	*	6/2016	Hartley	D24/135
D774,648	S	*	12/2016	Johnson	D24/135
D788,913	S	*	6/2017	Pepper	D24/135
D791,313	S	*	7/2017	Hartley	D24/135
D814,027	S	*	3/2018	Ienna	D24/133
D819,205	S	*	5/2018	Snyder	D24/135
D825,058	S	*	8/2018	Pfeffer	D24/143
D877,329	S	*	3/2020	Sumaily	D24/135
D889,647	S	*	7/2020	Smith	D24/135
2017/0157358	A1	*	6/2017	Doell	A61M 39/08

* cited by examiner

Primary Examiner — Bridget L Eland

(74) *Attorney, Agent, or Firm* — Cantor Colburn LLP

(57) **CLAIM**

I claim, the ornamental design for a nasal dilator, as shown and described.

DESCRIPTION

FIG. 1 is a perspective view of a nasal dilator, showing my new design;

FIG. 2 is a top plan view of the nasal dilator shown in FIG. 1;

FIG. 3 is a bottom plan view of the nasal dilator shown in FIG. 1;

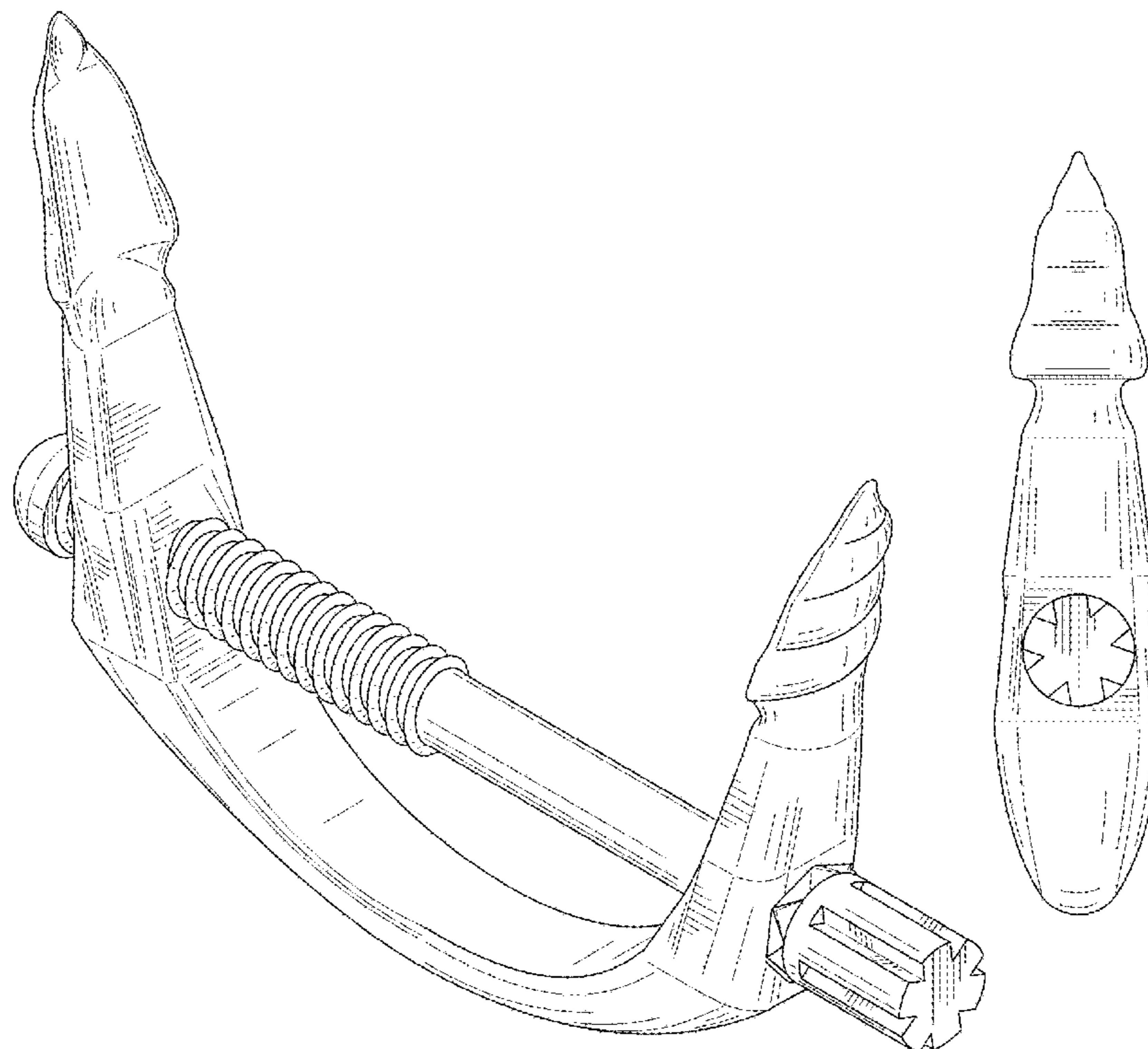
FIG. 4 is a side view of the nasal dilator shown in FIG. 1;

FIG. 5 is another side view of the nasal dilator shown in FIG. 1;

FIG. 6 is a back view of the nasal dilator shown in FIG. 1; and,

FIG. 7 is a front view of the nasal dilator shown in FIG. 1.

1 Claim, 5 Drawing Sheets



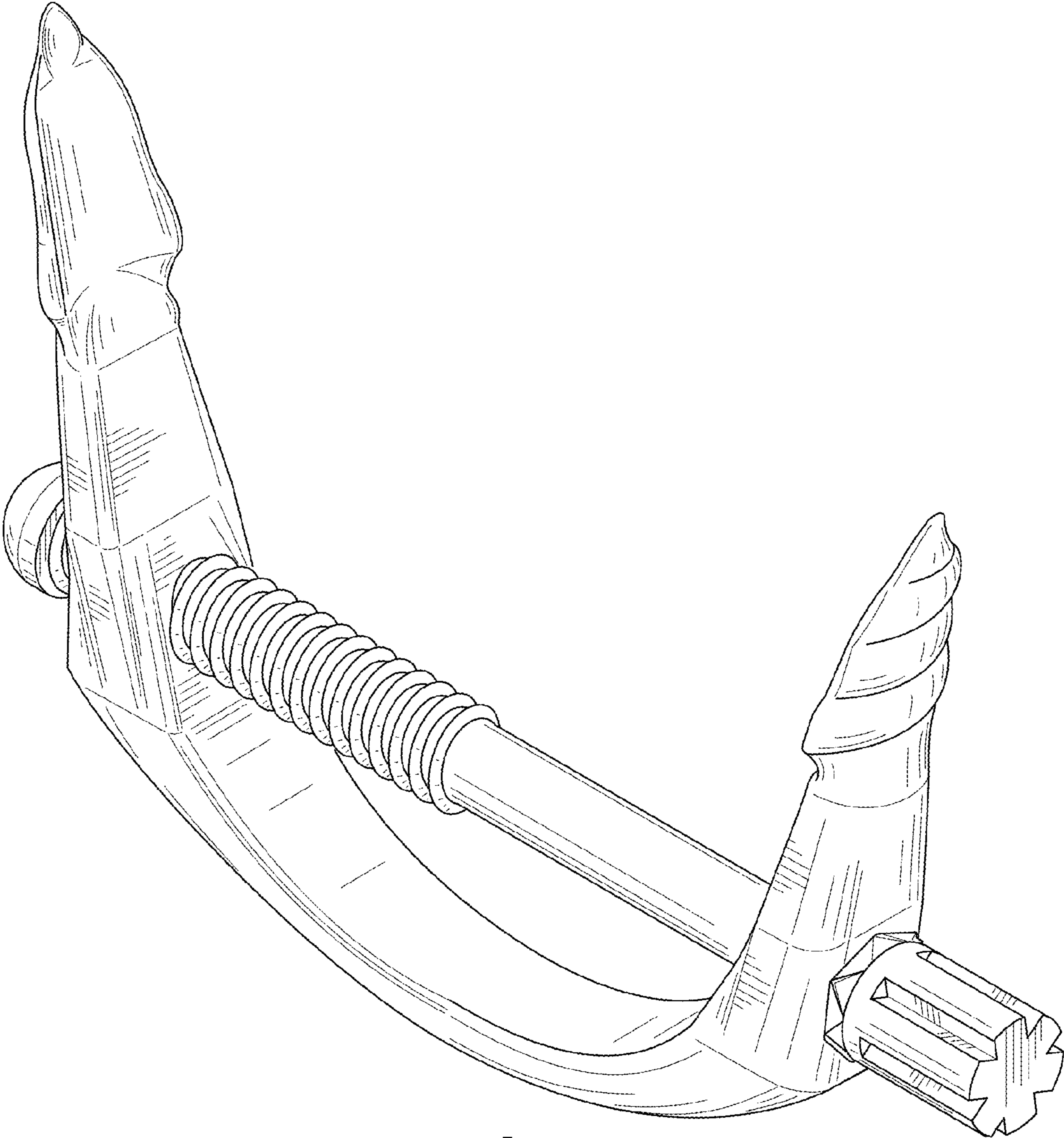


FIG. 1

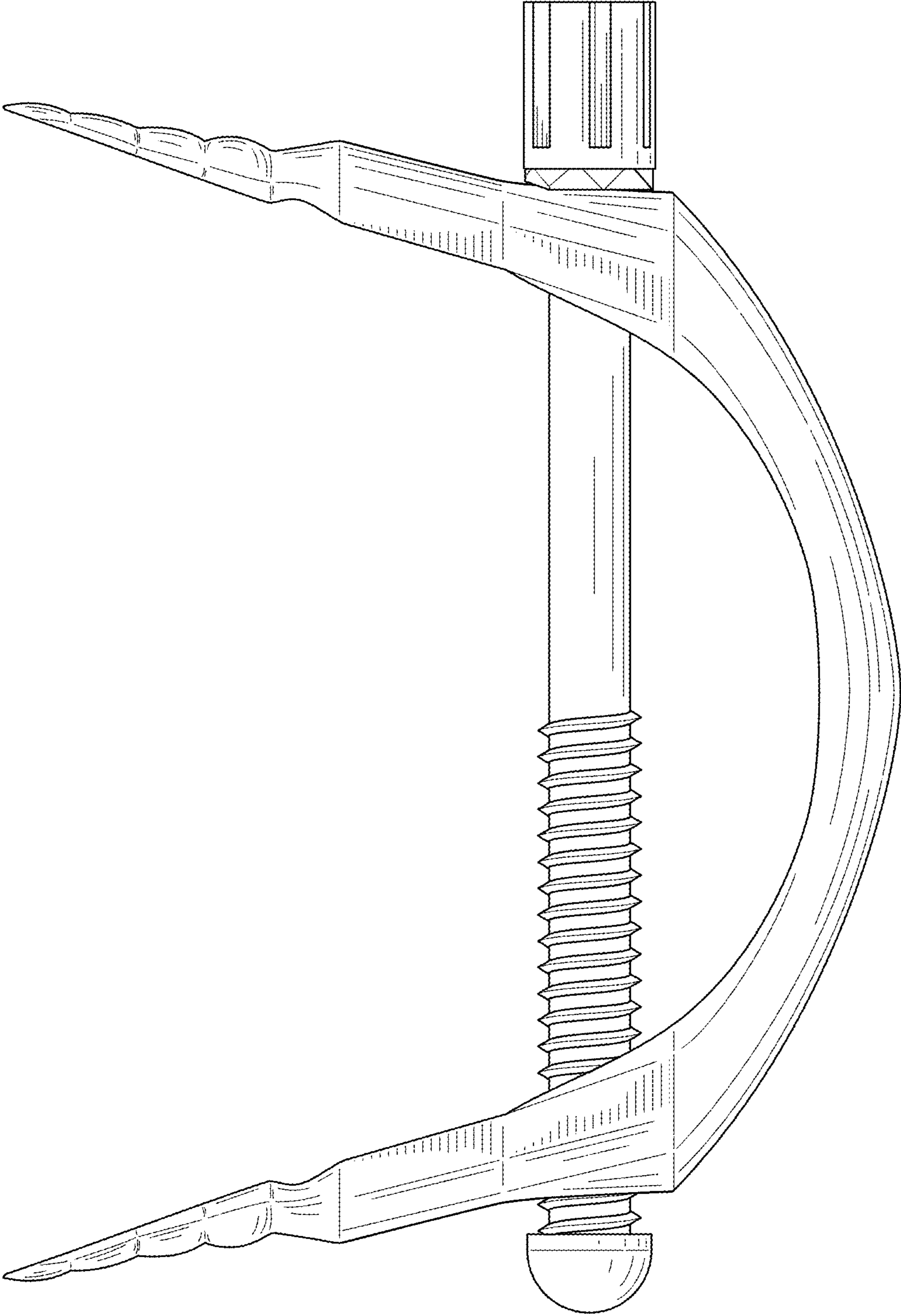


FIG. 2

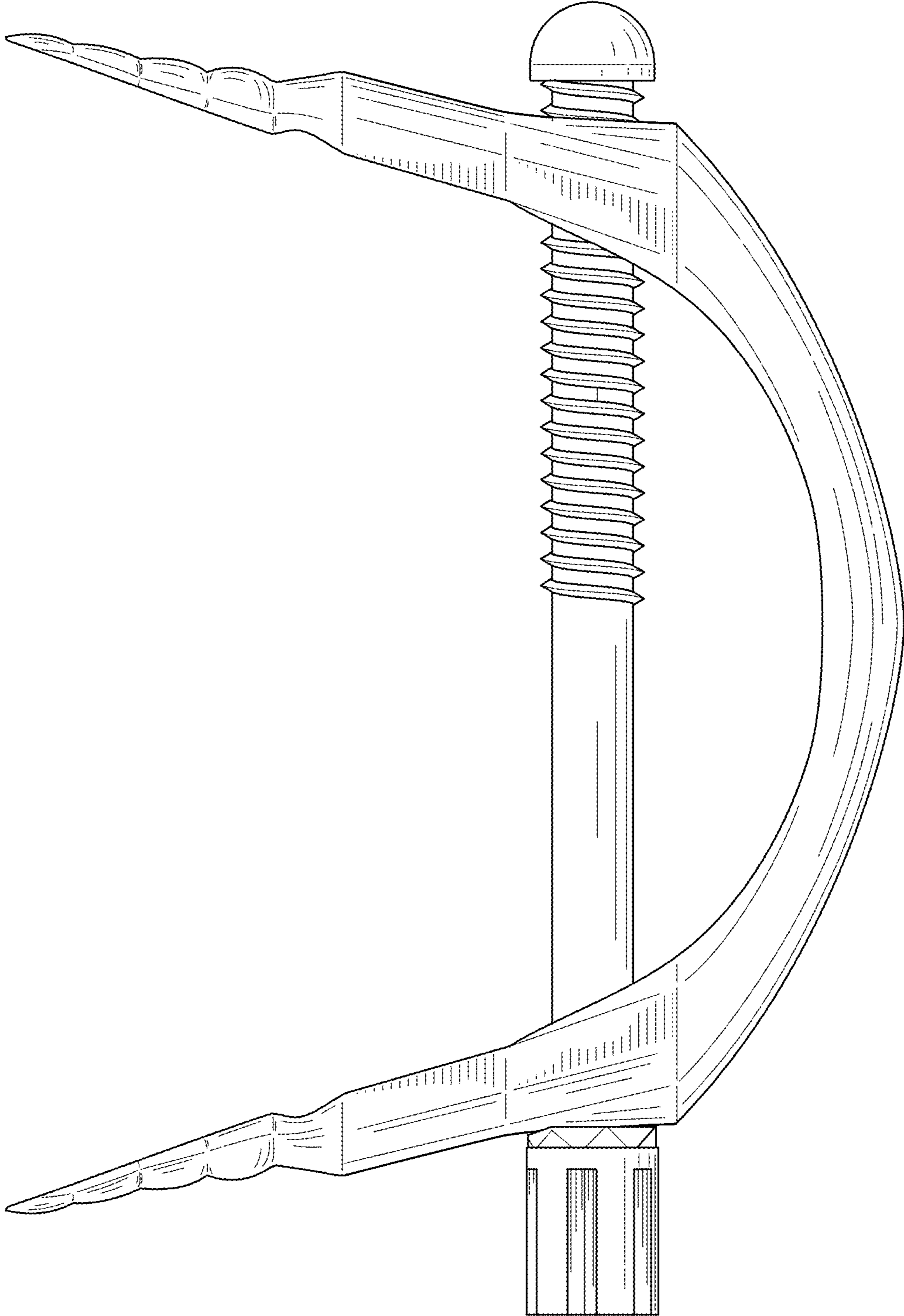


FIG. 3

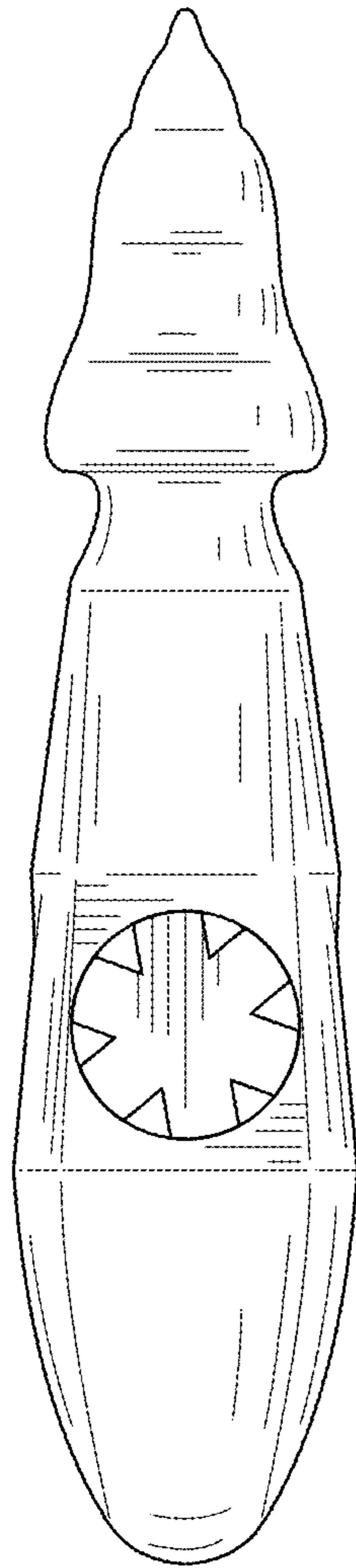


FIG. 4

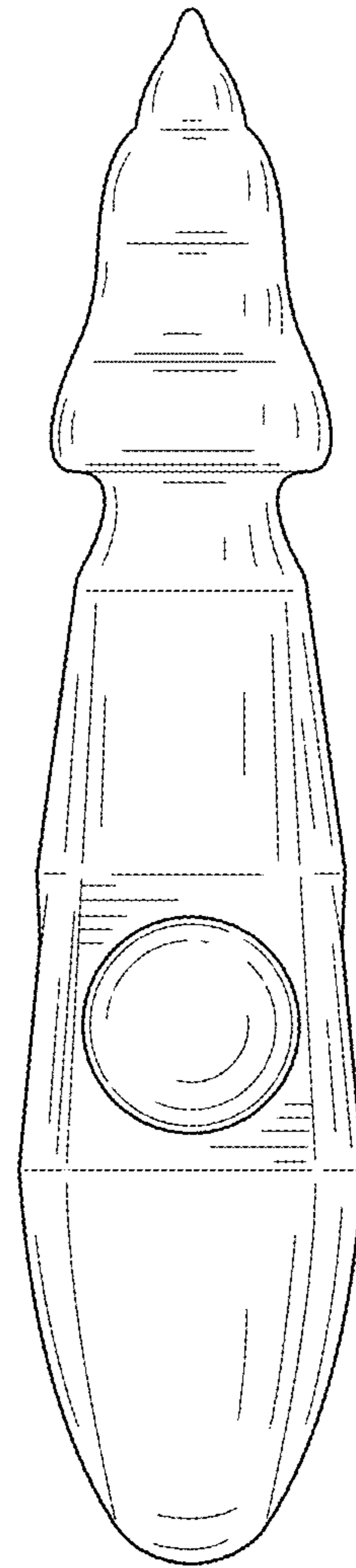


FIG. 5

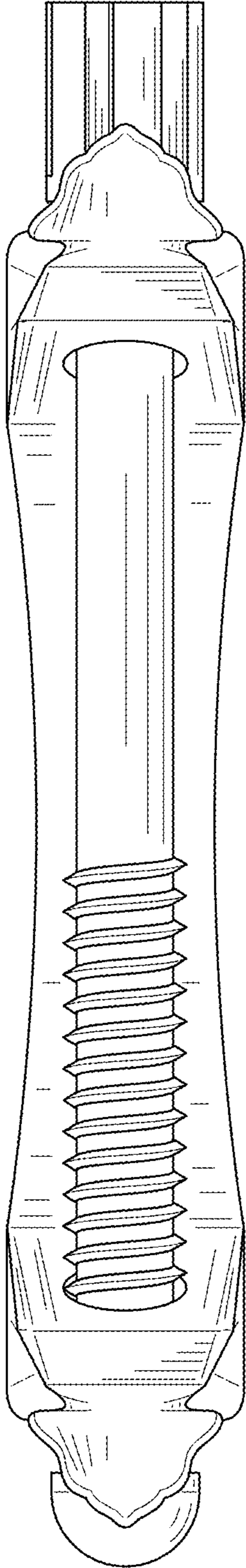


FIG. 6

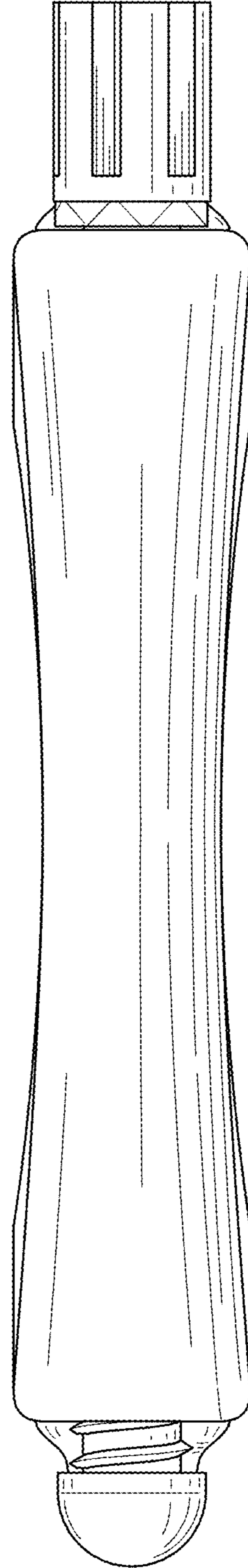


FIG. 7