



US00D915584S

(12) **United States Design Patent**  
**Eisenkrein et al.**

(10) **Patent No.:** **US D915,584 S**

(45) **Date of Patent:** **\*\* Apr. 6, 2021**

- (54) **INJECTION PEN CASING**
- (71) Applicant: **Boehringer Ingelheim International GmbH**, Ingelheim (DE)
- (72) Inventors: **Arthur Eisenkrein**, Essen (DE); **Oliver Koszel**, Essen (DE); **Axel Roth**, Mainz (DE)
- (73) Assignee: **BOEHRINGER INGELHEIM INTERNATIONAL GMBH**, Ingelheim (DE)
- (\*\*) Term: **15 Years**
- (21) Appl. No.: **29/698,213**
- (22) Filed: **Jul. 15, 2019**
- (51) **LOC (13) Cl.** ..... **24-02**
- (52) **U.S. Cl.**  
USPC ..... **D24/130; D24/113**
- (58) **Field of Classification Search**  
USPC ..... D24/127–131, 112–114, 133, 186; 606/181, 185; 604/264, 523–528, 272, 604/187, 158, 164.01–164.11, 181, 184, 604/227; 600/101, 139, 143; 128/200.24, 207.14, 207.15; D19/115–123, 177, 193  
CPC ..... A61M 5/3156; A61M 5/31591; A61M 5/3155; A61M 5/3157; A61M 5/24; A61M 5/31501; A61M 5/31551; A61M 5/31585; A61M 2005/2407; A61M 2005/2492; A61M 2205/581; A61M 2205/582  
See application file for complete search history.

- 8,945,067 B2 \* 2/2015 McLoughlin ..... A61M 5/3213 604/192
- D758,568 S \* 6/2016 Wohlfahrt ..... D24/113
- D758,570 S \* 6/2016 Wohlfahrt ..... D24/113
- D774,641 S \* 12/2016 Miggels ..... D24/113
- D866,752 S \* 11/2019 Rogge ..... D24/113
- 2013/0041328 A1 \* 2/2013 Daniel ..... A61M 5/3158 604/228
- 2013/0150797 A1 \* 6/2013 Lesch, Jr. .... A61M 5/30 604/187
- 2017/0304538 A1 \* 10/2017 Renstad ..... A61M 5/14216
- 2017/0312457 A1 \* 11/2017 Desalvo ..... A61M 5/5086
- 2019/0247589 A1 \* 8/2019 Holmqvist ..... A61M 5/3204
- 2019/0351139 A1 \* 11/2019 Sarkorov ..... A61M 5/31581

\* cited by examiner

*Primary Examiner* — Nathan M Johnston

(74) *Attorney, Agent, or Firm* — Ostrolenk Faber LLP

(57) **CLAIM**

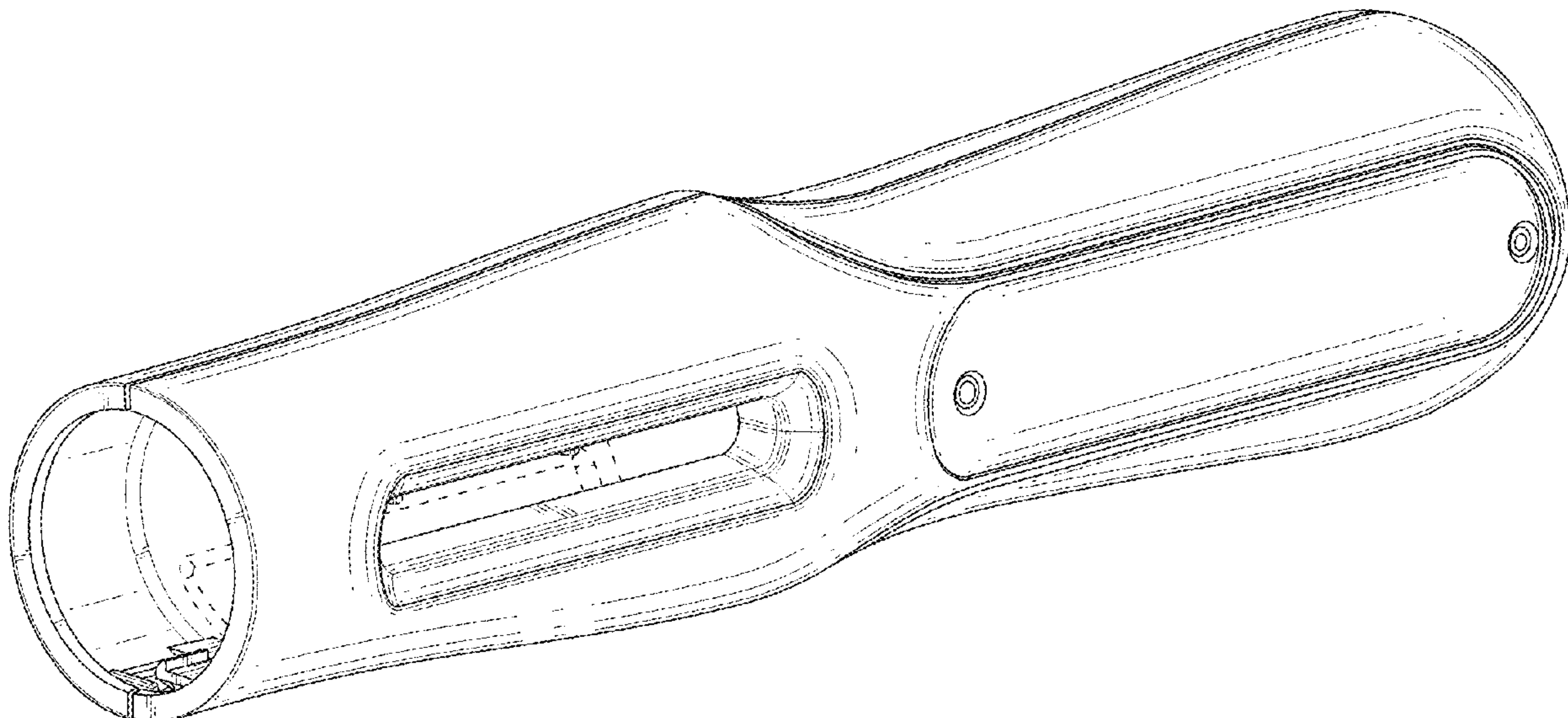
The ornamental design for an injection pen casing, as shown and described.

**DESCRIPTION**

FIG. 1 is a perspective of an injection pen casing from a front direction, showing our new design;  
 FIG. 2 is a perspective from a top direction;  
 FIG. 3 is a perspective from a bottom direction;  
 FIG. 4 is a front view of FIG. 1, the rear view being symmetrical;  
 FIG. 5 is a left side view of FIG. 1, the right side being symmetrical;  
 FIG. 6 is a further perspective of FIG. 1 with additional detail; and,  
 FIG. 7 is a perspective of FIG. 3 with additional detail.  
 The broken lines show portions of the design that form no part of the claimed design.

**1 Claim, 7 Drawing Sheets**

- (56) **References Cited**  
U.S. PATENT DOCUMENTS  
D677,380 S \* 3/2013 Julian ..... D24/113  
D694,879 S \* 12/2013 Julian ..... D24/113



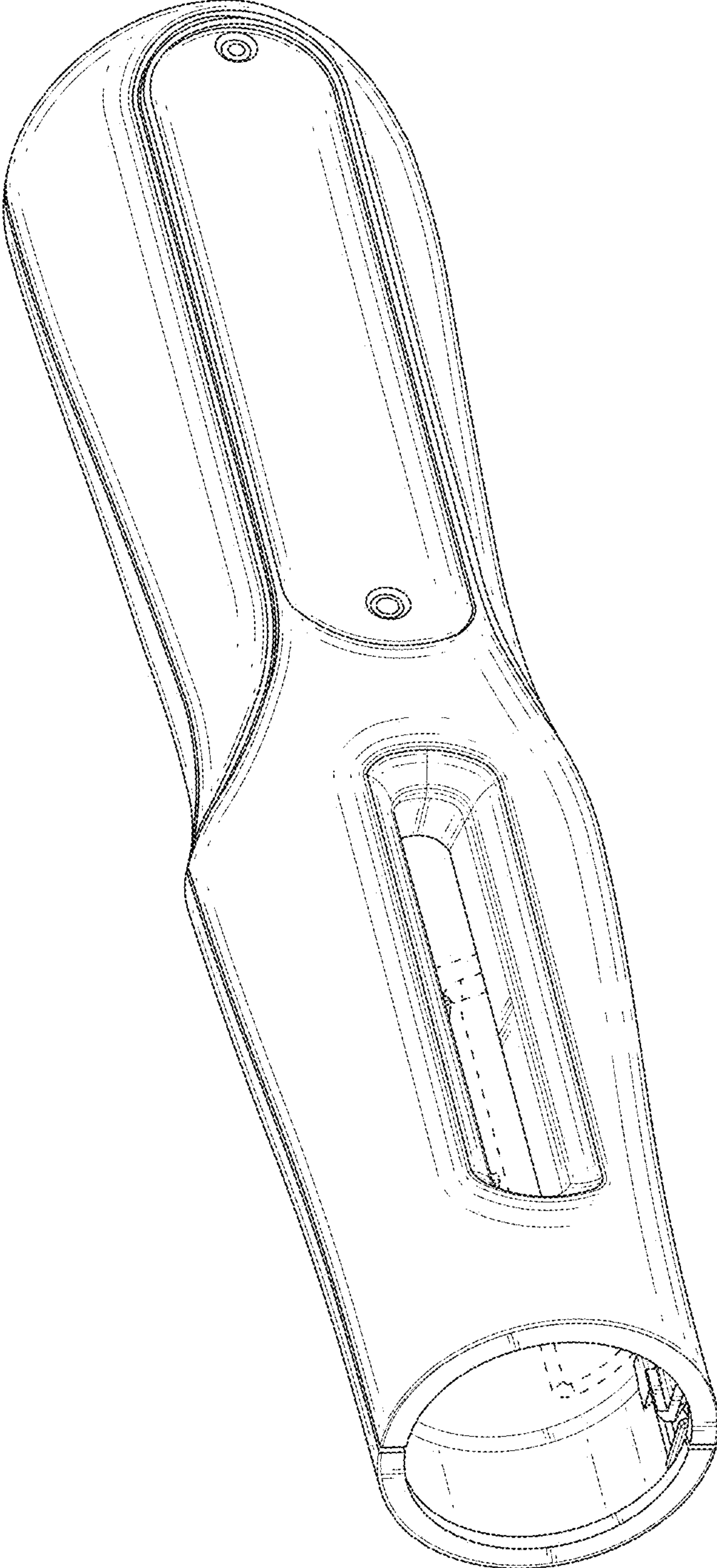


FIG. 1



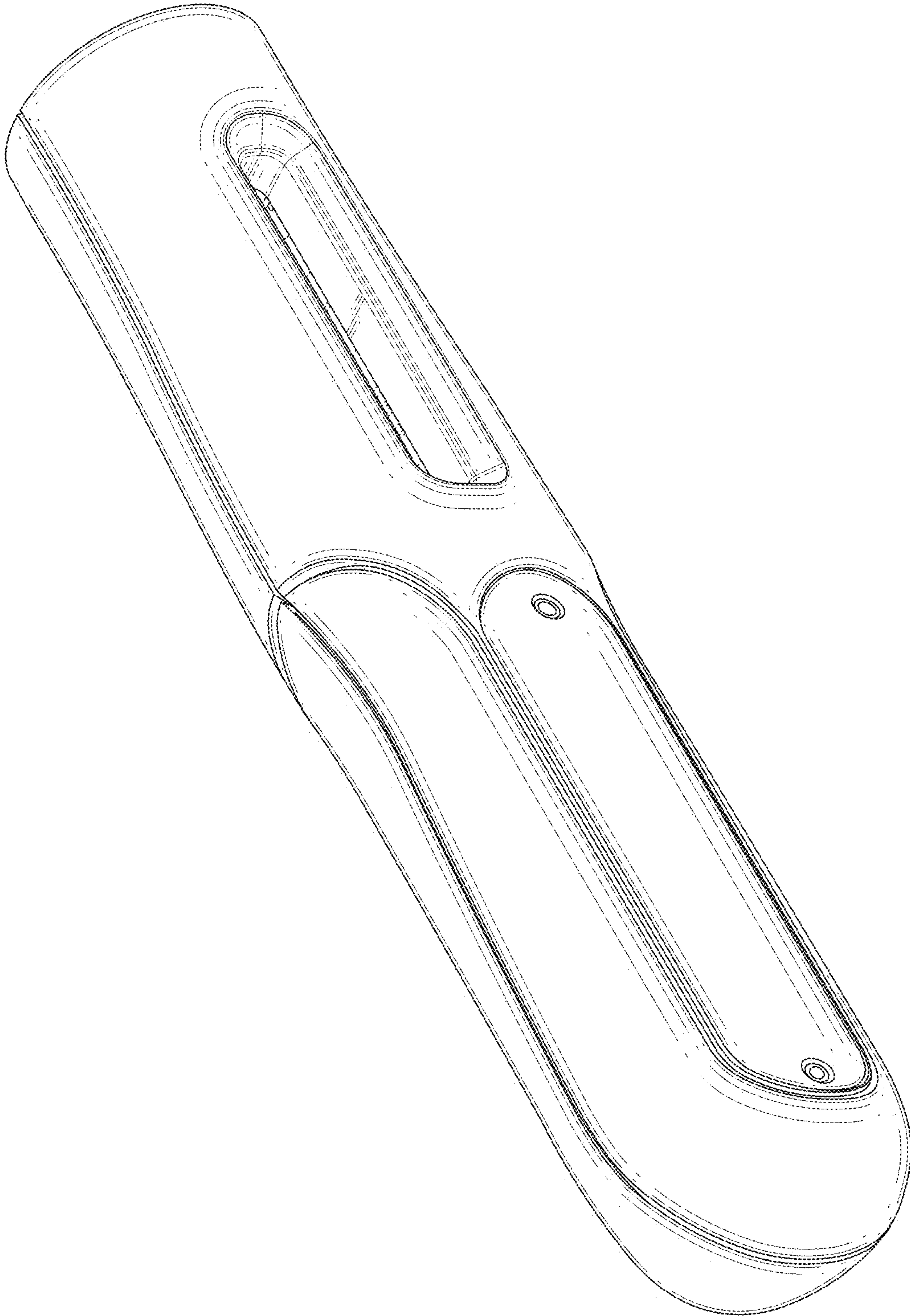


FIG. 2

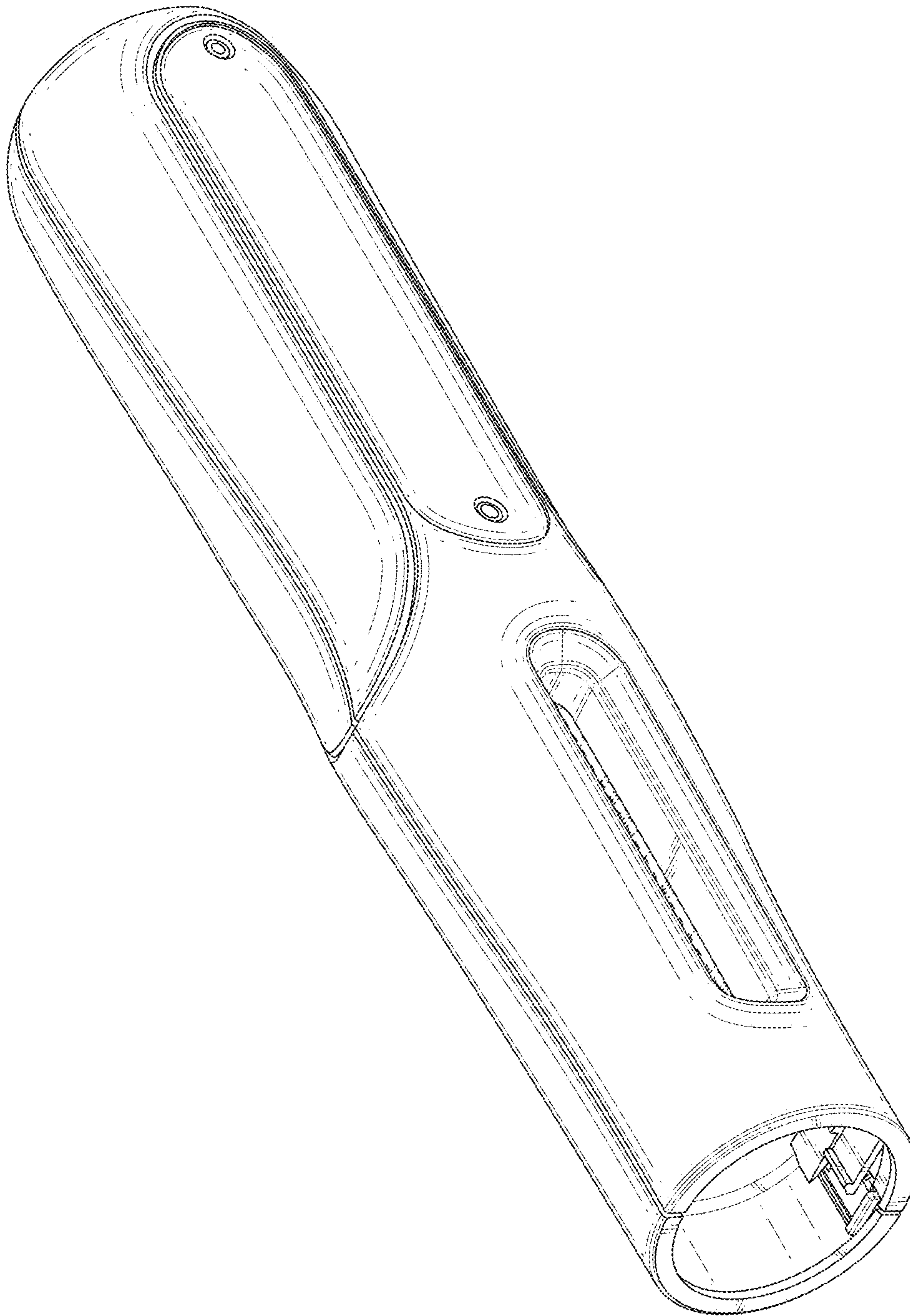


FIG. 3

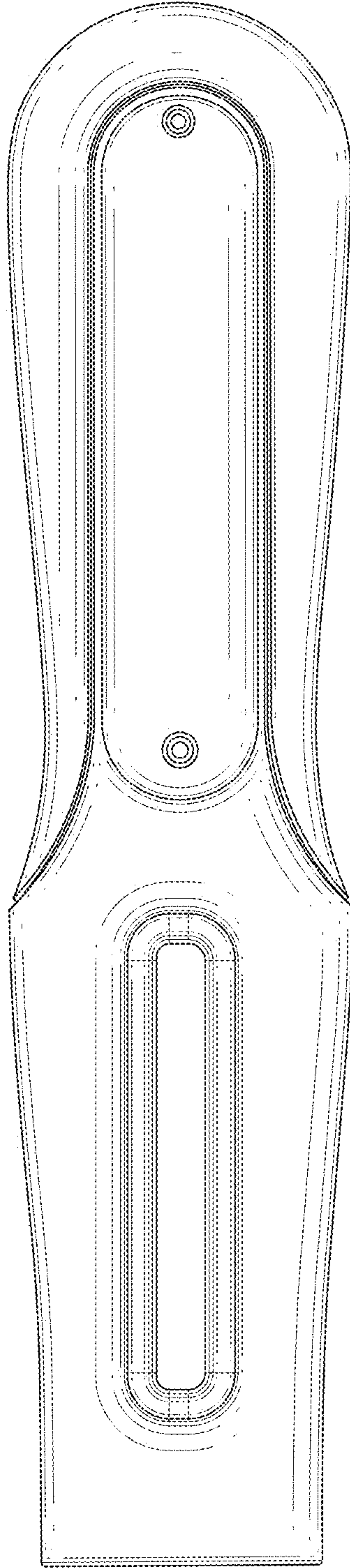


FIG. 4

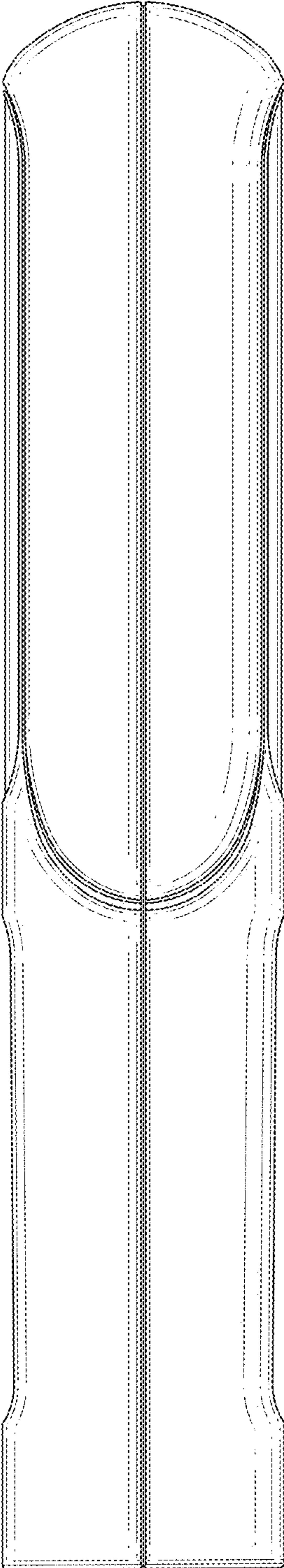


FIG. 5



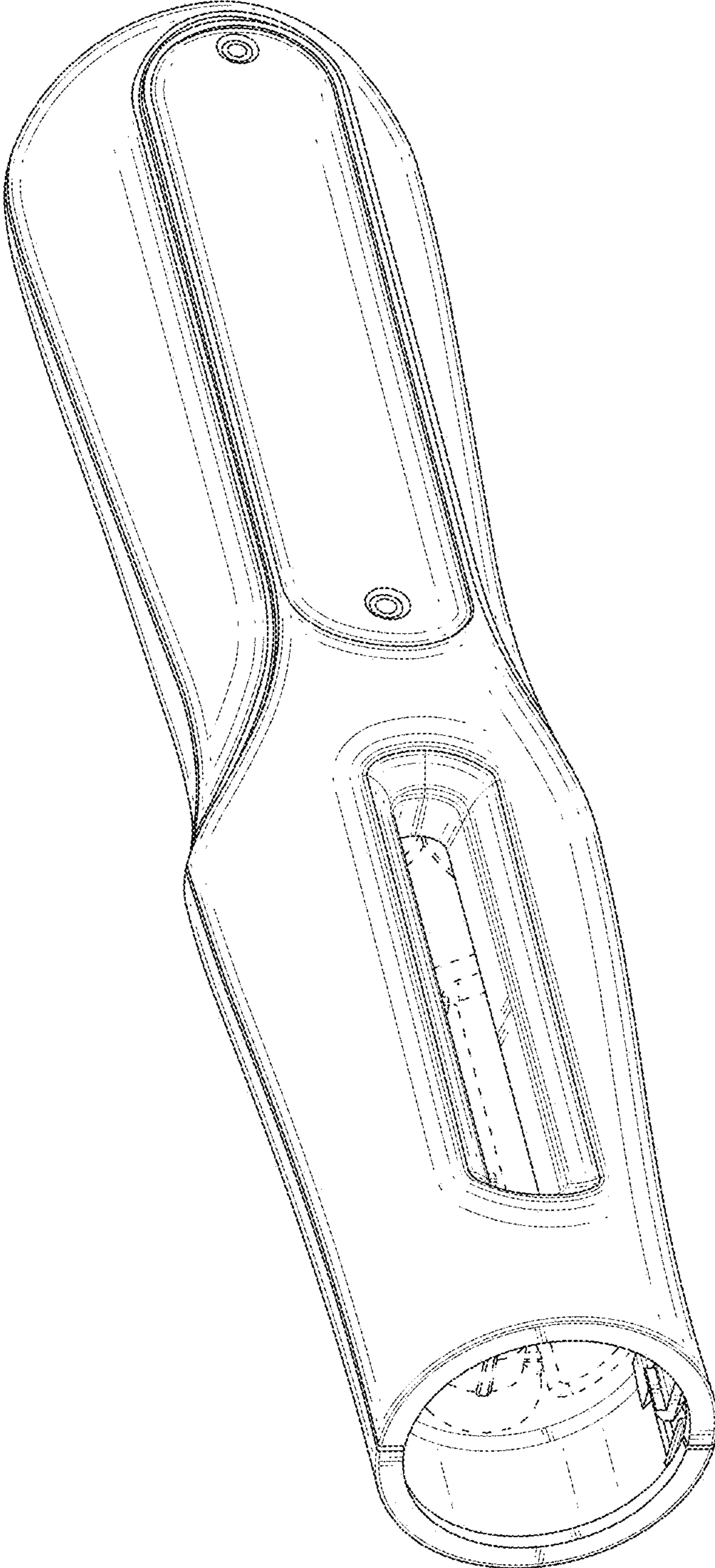


FIG. 6

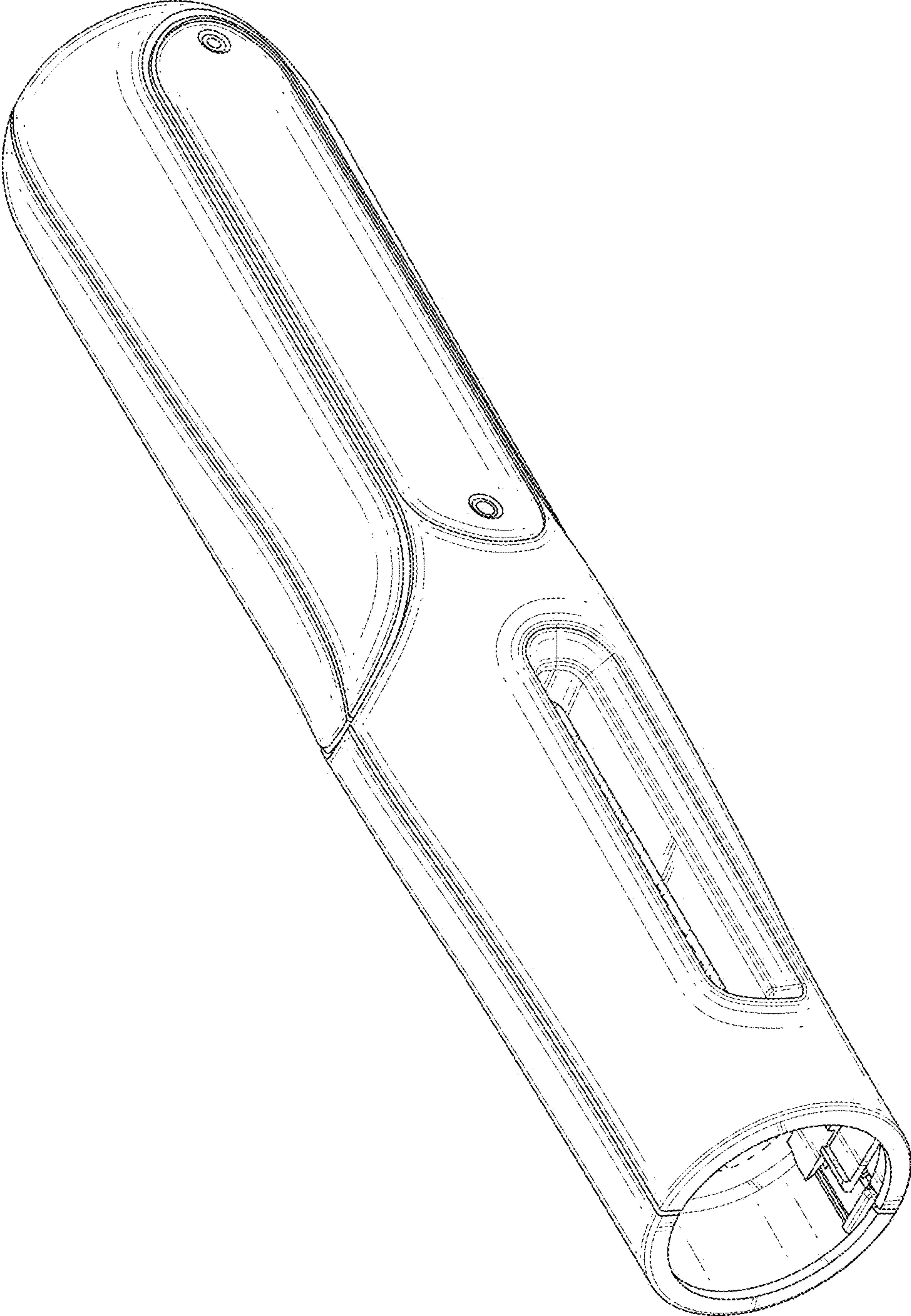


FIG. 7