



US00D915580S

(12) **United States Design Patent**  
**Uemura**

(10) **Patent No.:** **US D915,580 S**

(45) **Date of Patent:** **\*\* Apr. 6, 2021**

(54) **POISON OR VENOM REMOVER**  
(71) Applicant: **RICHBOND Co., Ltd.**, Tokyo (JP)  
(72) Inventor: **Masaaki Uemura**, Tokyo (JP)  
(\*\*) Term: **15 Years**  
(21) Appl. No.: **35/507,887**  
(22) Filed: **Aug. 21, 2019**

2,678,647 A \* 5/1954 Bruger ..... A61M 5/3135  
604/227  
4,744,790 A \* 5/1988 Jankowski ..... A61M 5/24  
604/232  
D446,578 S \* 8/2001 Jansen ..... D24/110  
D448,475 S \* 9/2001 Jansen ..... D24/110  
D462,760 S \* 9/2002 Ahlgrim ..... D24/112  
D463,546 S \* 9/2002 Jansen ..... D24/110  
D766,426 S \* 9/2016 Hamann ..... D24/114  
10,350,356 B2 \* 7/2019 Hirschel ..... A61M 5/3157  
10,596,321 B2 \* 3/2020 Mandaroux ..... A61M 5/31511  
10,751,480 B2 \* 8/2020 Daniel ..... A61M 5/24  
2012/0179092 A1 \* 7/2012 Churchill ..... A61M 1/007  
604/35

(80) **Hague Agreement Data**

Int. Filing Date: **Aug. 21, 2019**  
Int. Reg. No.: **DM/204126**  
Int. Reg. Date: **Aug. 21, 2019**  
Int. Reg. Pub. Date: **Nov. 29, 2019**

(51) **LOC (13) Cl.** ..... **24-02**  
(52) **U.S. Cl.**  
USPC ..... **D24/114**

(58) **Field of Classification Search**  
USPC ..... D10/106.9; D24/108, 112, 111, 115,  
D24/117, 110, 114, 107, 113, 110.5,  
D24/110.6, 127, 133, 141; D22/119-124;  
D15/7  
CPC ..... A61M 5/3135; A61M 5/178; A61M 5/20;  
A61M 5/2053; A61M 5/28; A61M 5/30;  
A61M 2005/3139; A61M 2005/2013;  
A61M 1/0001; A61M 1/0039; A61M  
1/0031; A61M 1/007; A61M 1/008;  
A61M 1/2422; A61M 1/0066; A61M  
1/00; A61M 1/0003; A61M 5/14212;  
A61M 5/142; A61M 5/24; A61M  
2202/0014

See application file for complete search history.

(56) **References Cited**

**U.S. PATENT DOCUMENTS**

2,047,512 A \* 7/1936 Kauffman ..... A61M 5/3135  
604/227  
D136,556 S \* 10/1943 Saunders ..... D10/106.9

**OTHER PUBLICATIONS**

[Online] "Bug Bit Thing—Sting & Bite Venom Sucker" <http://www.dudeiwantthat.com/outdoors/tools/bug-bite-thing-sting-bite-venom-sucker.asp>. Posted online Mar. 8, 2016. Retrieved Nov. 6, 2020.\*  
[Online] <https://www.snakebitefoundation.org/blog/2019/1/20/the-truth-about-commercial-snakebite-kits-and-venom-extractors>. Posted online Jan. 20, 2019. Retrieved Jan. 30, 2021.\*

\* cited by examiner

*Primary Examiner* — Melanie Pellegrini

(57) **CLAIM**

The ornamental design for a poison or venom remover, as shown and described.

**DESCRIPTION**

1. Poison or venom remover

1.1 : Front

1.2 : Back

1.3 : Left

1.4 : Right

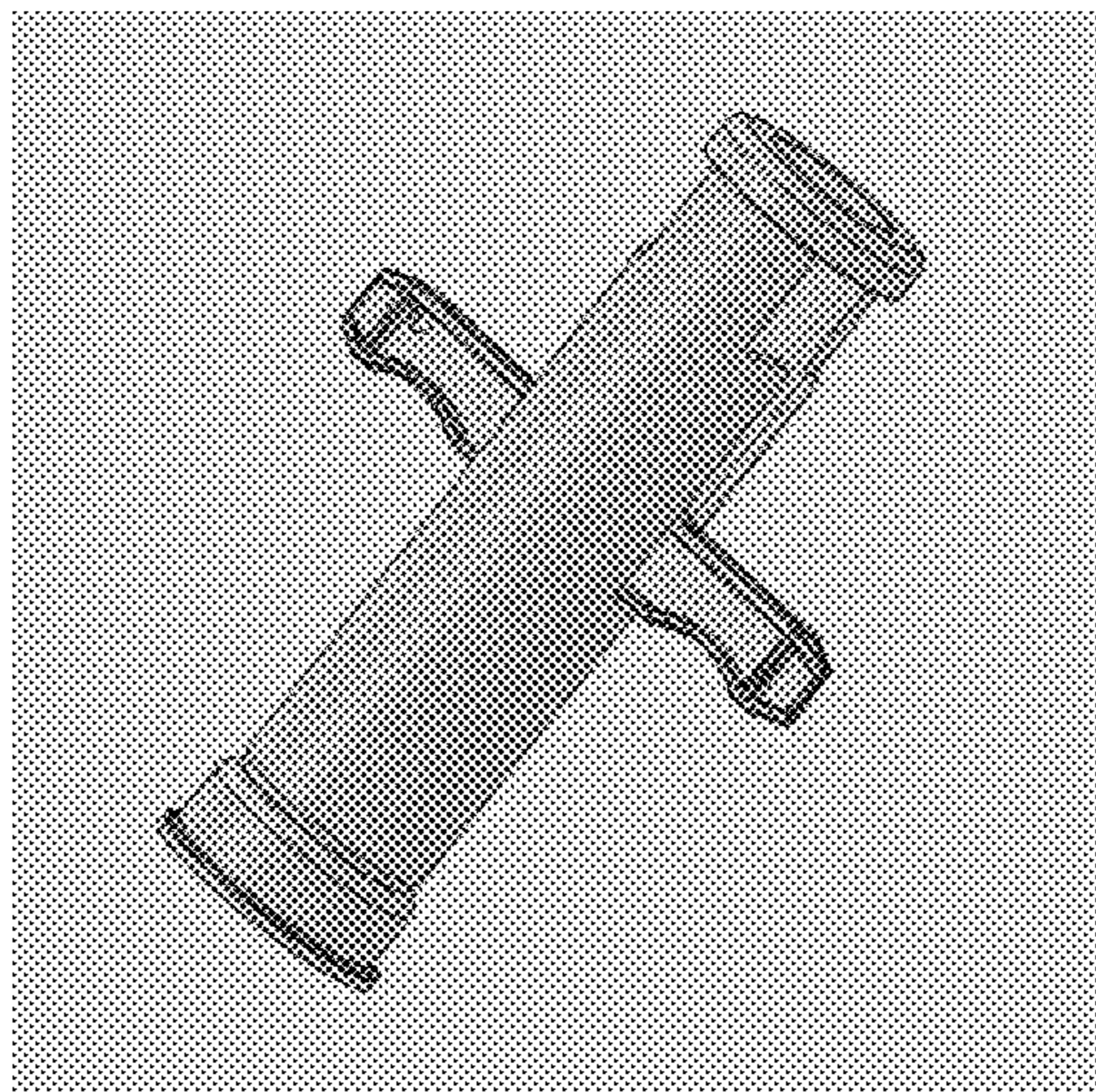
1.5 : Top

1.6 : Bottom

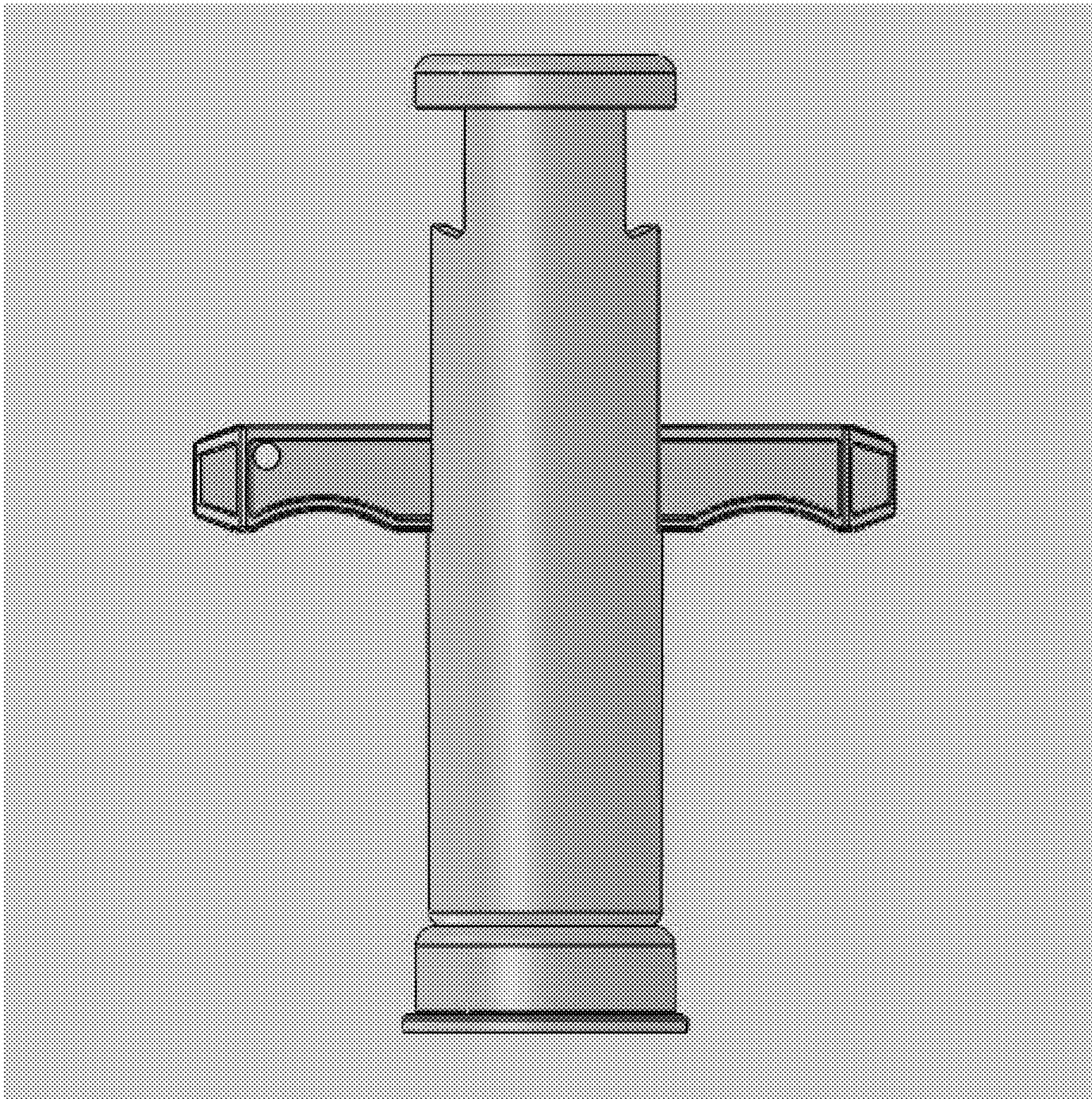
1.7 : Perspective

This product is a kind of a vacuum pump known as a poison remover, venom remover, venom extractor; there are gaps to hold the pump handle when user pulls up the pump handle.

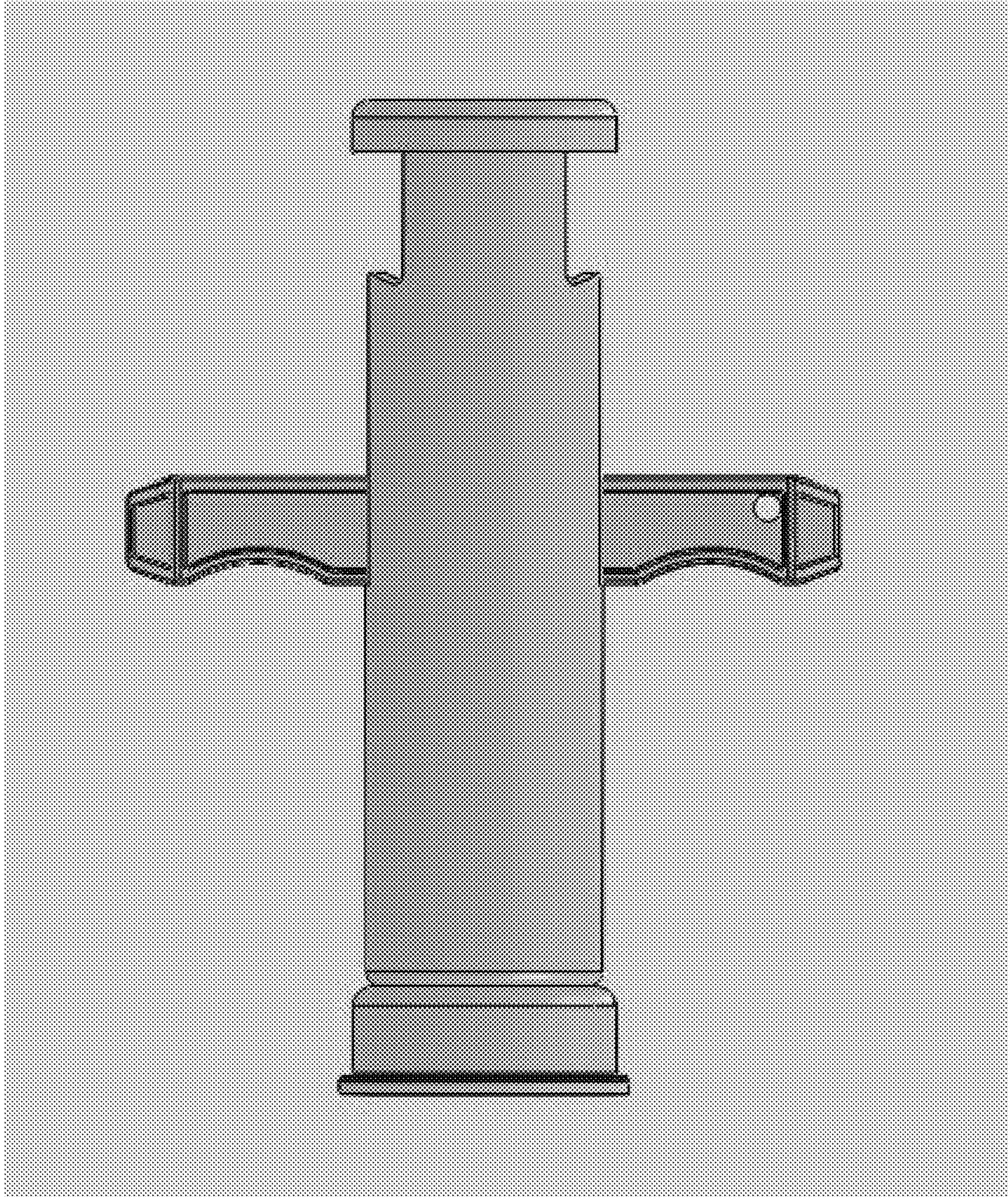
**1 Claim, 7 Drawing Sheets**



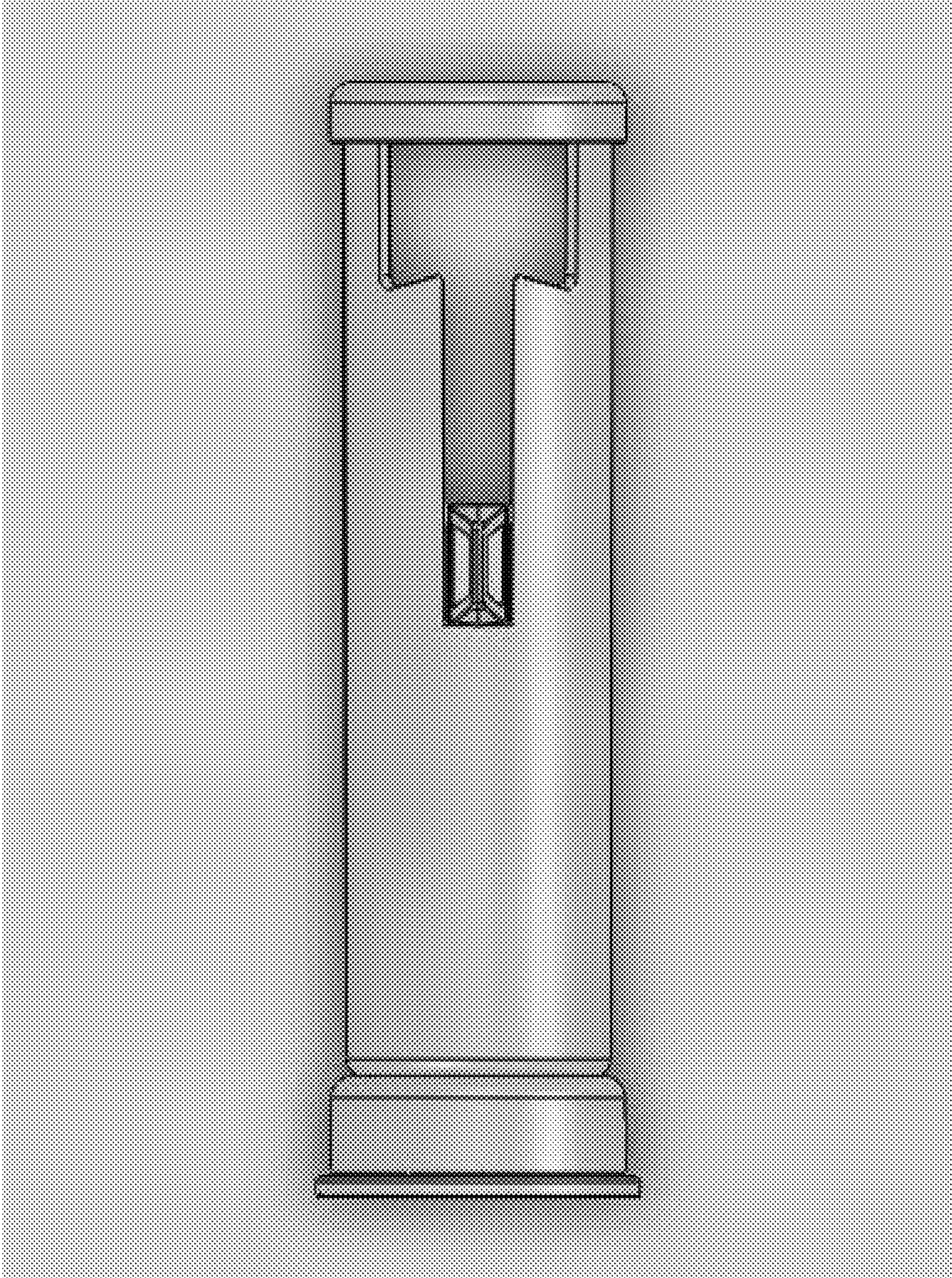
# 1.1



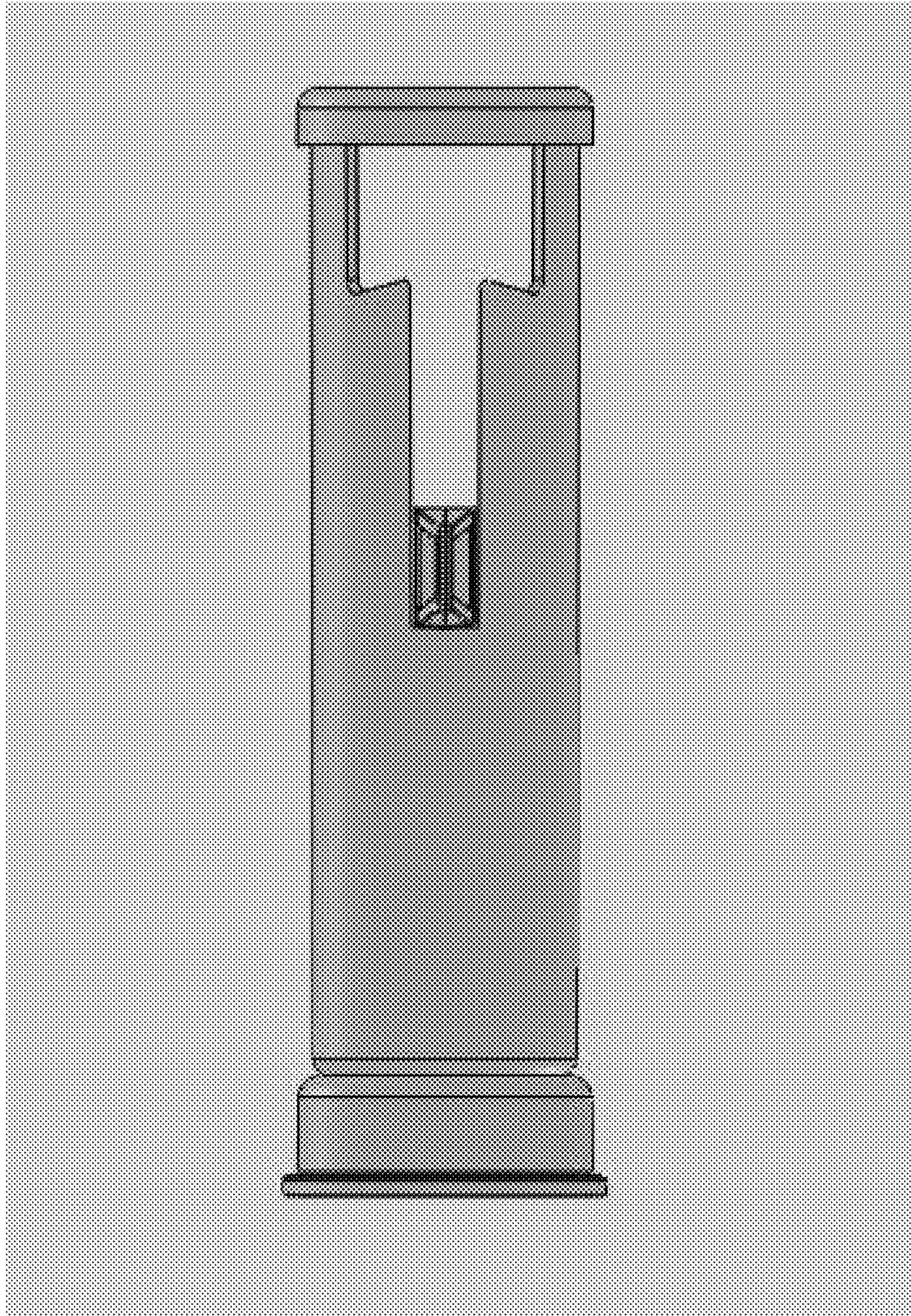
# 1.2



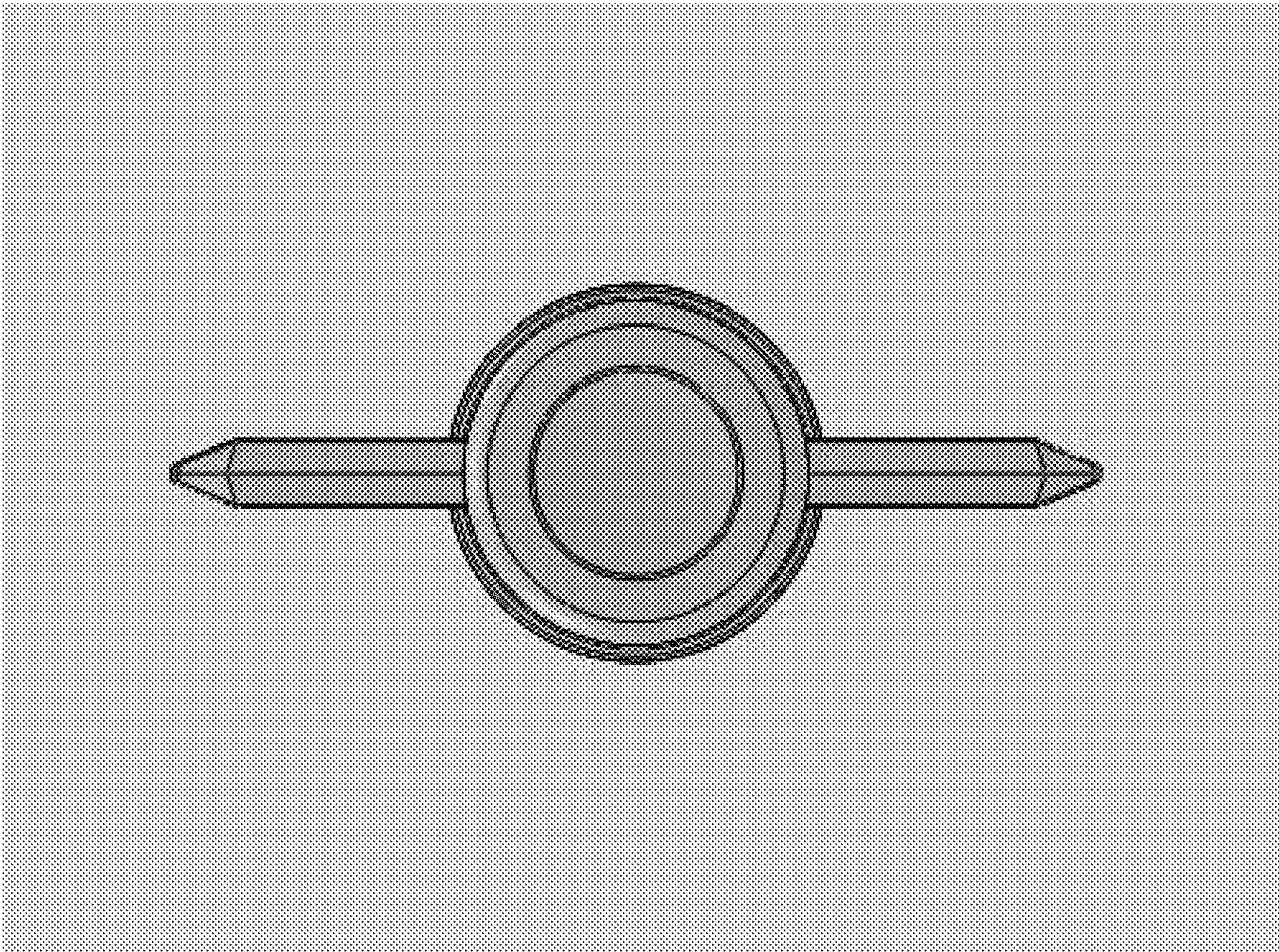
# 1.3



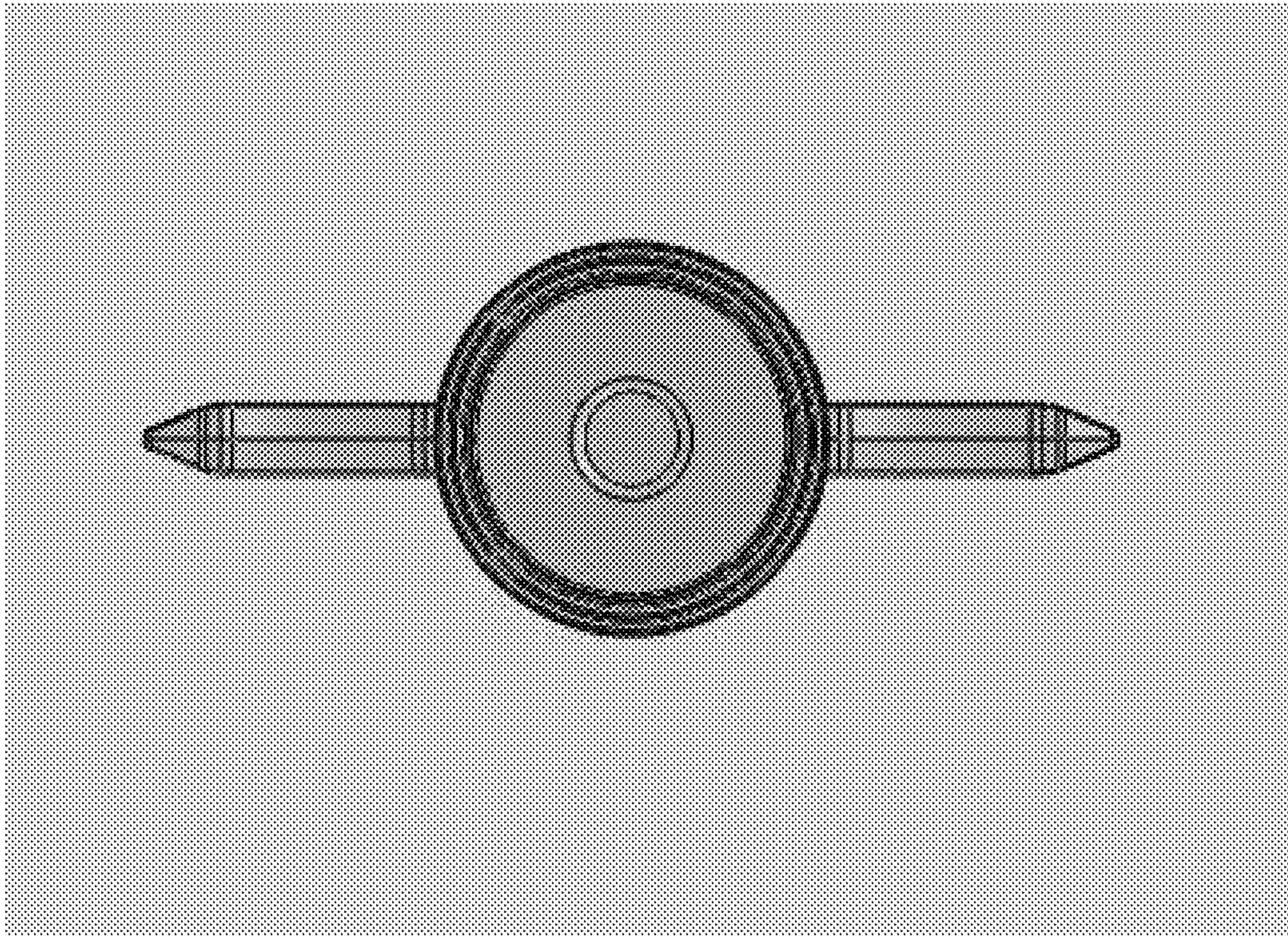
1.4



1.5



1.6



**1.7**

