



US00D915577S

(12) **United States Design Patent**
Pickett

(10) **Patent No.:** **US D915,577 S**

(45) **Date of Patent:** **** Apr. 6, 2021**

(54) **CEILING FAN**

(71) Applicant: **AIR COOL INDUSTRIAL CO., LTD.**, Taichung (TW)

(72) Inventor: **Mark Pickett**, Altadena, CA (US)

(73) Assignee: **AIR COOL INDUSTRIAL CO., LTD.**, Taichung (TW)

(**) Term: **15 Years**

(21) Appl. No.: **29/693,900**

(22) Filed: **Jun. 5, 2019**

(51) **LOC (13) Cl.** **23-04**

(52) **U.S. Cl.**
USPC **D23/377**

(58) **Field of Classification Search**
USPC D23/370, 377, 379, 385, 411, 413;
D26/59; D12/214, 339, 344
CPC F04D 25/088; F04D 29/38; F04D 29/384;
F04D 29/386; F04D 29/34; F21V
33/0096
See application file for complete search history.

(56) **References Cited**

U.S. PATENT DOCUMENTS

- 1,377,328 A * 5/1921 Eggerth F03D 7/0224
416/53
- 4,427,342 A * 1/1984 Sutz F03D 15/10
416/170 R
- D279,293 S * 6/1985 Sutz D15/1
- D785,155 S * 4/2017 Wang D23/377
- D813,370 S * 3/2018 Li D23/377
- D816,826 S * 5/2018 Johnson D23/377

- D860,430 S * 9/2019 Orozco D23/377
- 10,465,693 B2 * 11/2019 Johnson F04D 29/644
- D900,296 S * 10/2020 Johnson D23/377
- 2017/0284405 A1 * 10/2017 Eggers F04D 25/088
- 2018/0128276 A1 * 5/2018 Li F04D 25/06

OTHER PUBLICATIONS

Best Windmill Ceiling Fans, date last updated Apr. 23, 2020, site visited Dec. 17, 2020, available from internet <<https://www.heatwhiz.com/best-windmill-ceiling-fans/>>.*

* cited by examiner

Primary Examiner — Cathron C Brooks

Assistant Examiner — Sharon S Oum

(74) *Attorney, Agent, or Firm* — Pai Patent & Trademark Law Firm; Chao-Chang David Pai

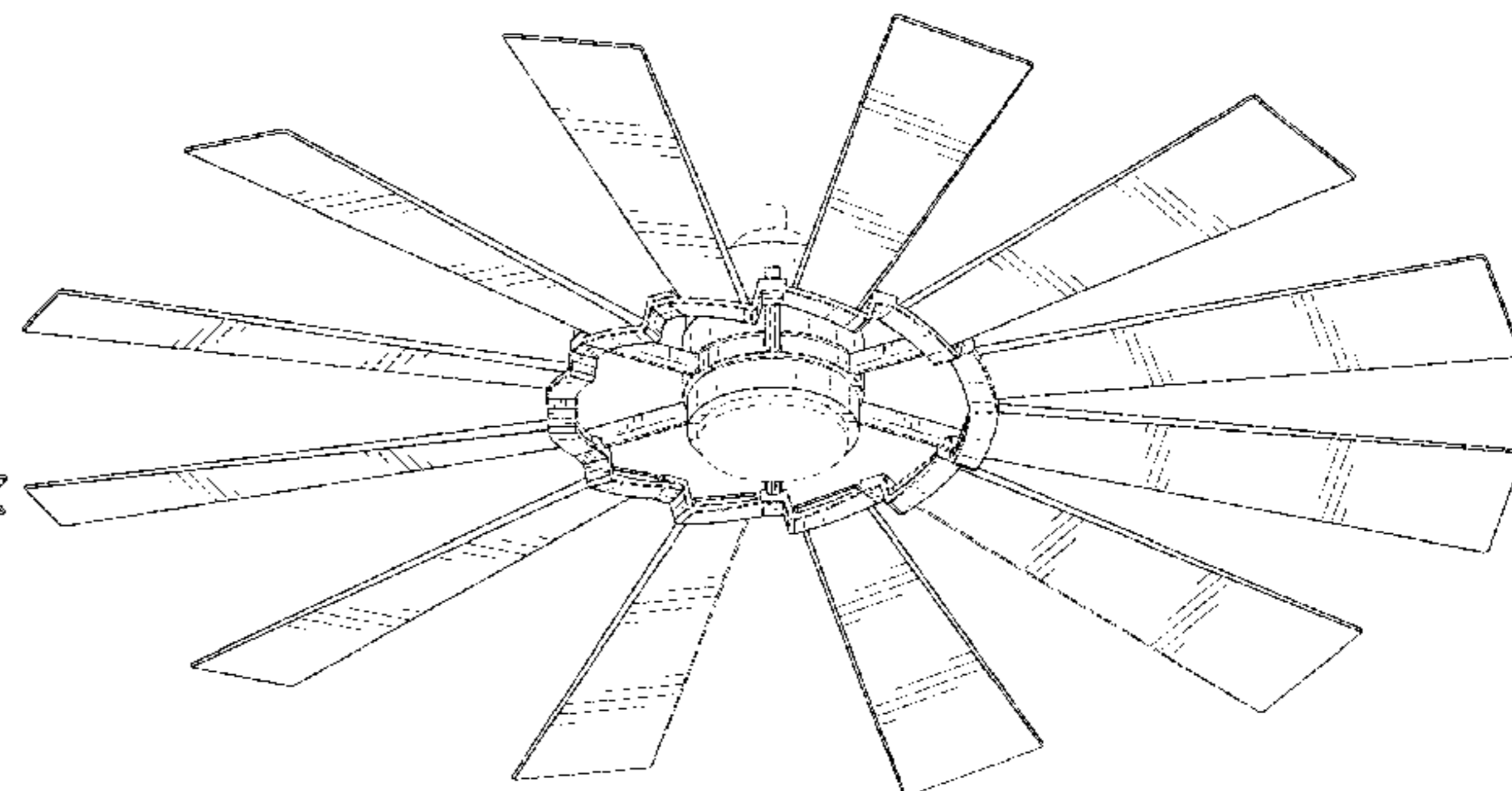
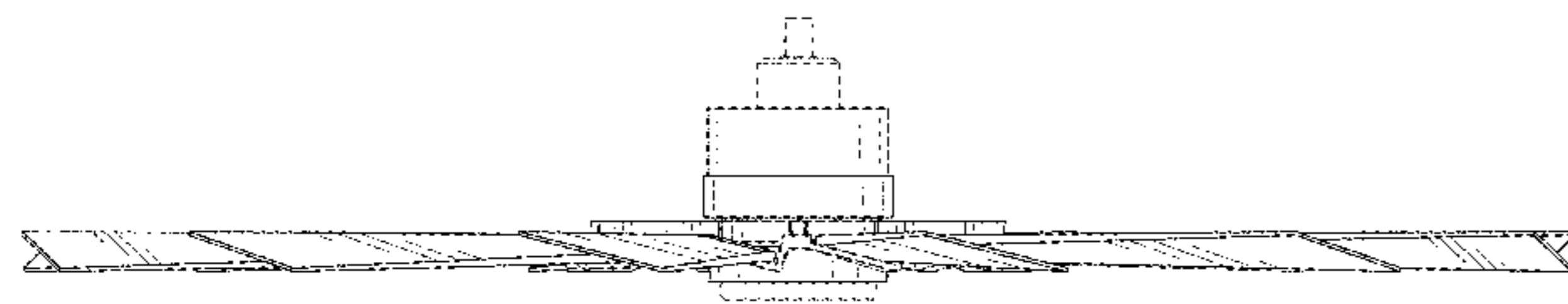
(57) **CLAIM**

The ornamental design for a ceiling fan, as shown and described.

DESCRIPTION

FIG. 1 is a front top perspective view of a ceiling fan showing my new design;
FIG. 2 is a front elevational view thereof;
FIG. 3 is a rear elevational view thereof;
FIG. 4 is a left side elevational view thereof;
FIG. 5 is a right side elevational view thereof;
FIG. 6 is a top plan view thereof;
FIG. 7 is a bottom plan view thereof; and,
FIG. 8 is a front bottom perspective view thereof.
The broken lines illustrate portions of the ceiling fan and form no part of the claimed design.

1 Claim, 6 Drawing Sheets



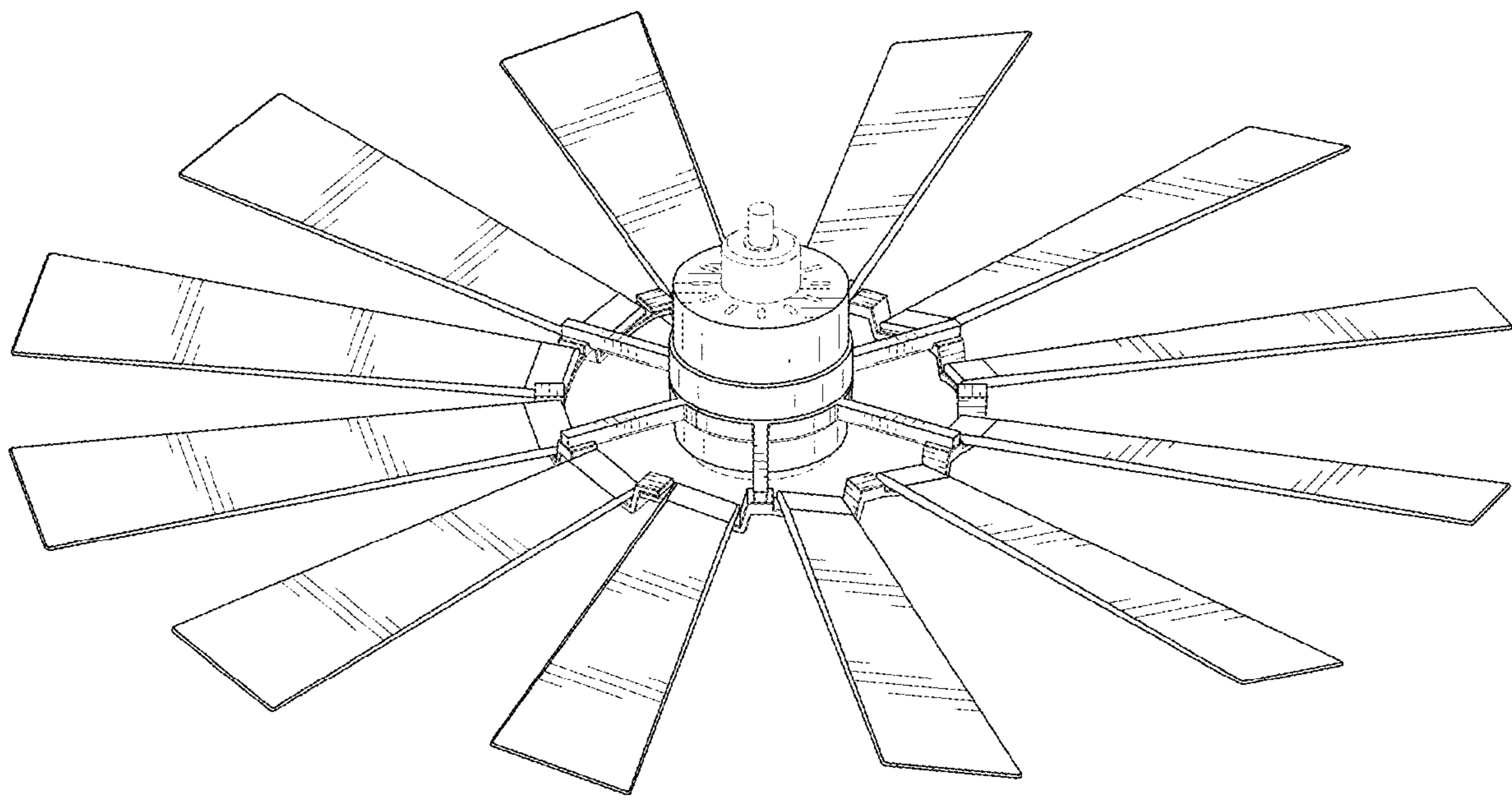


FIG. 1

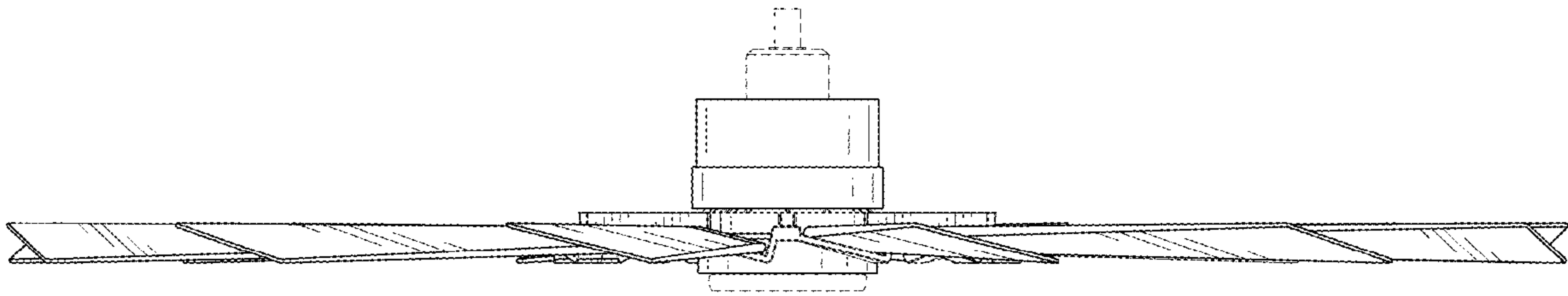


FIG. 2

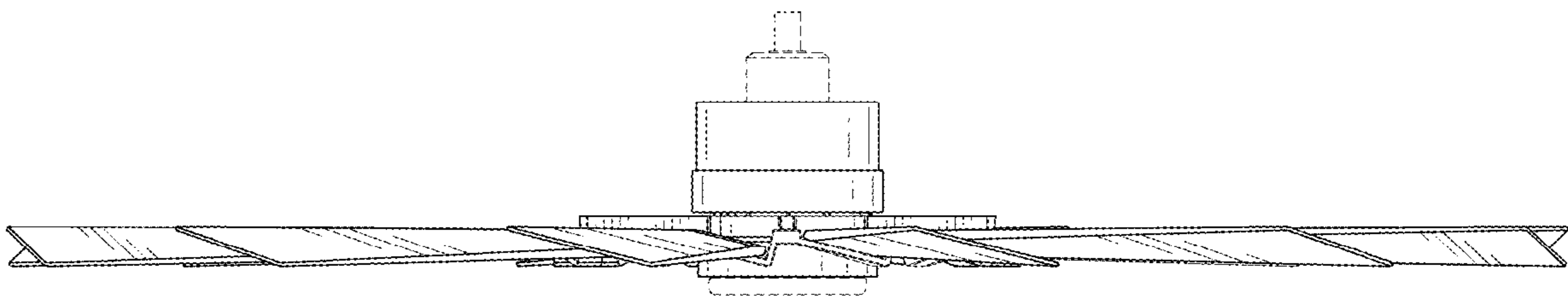


FIG. 3

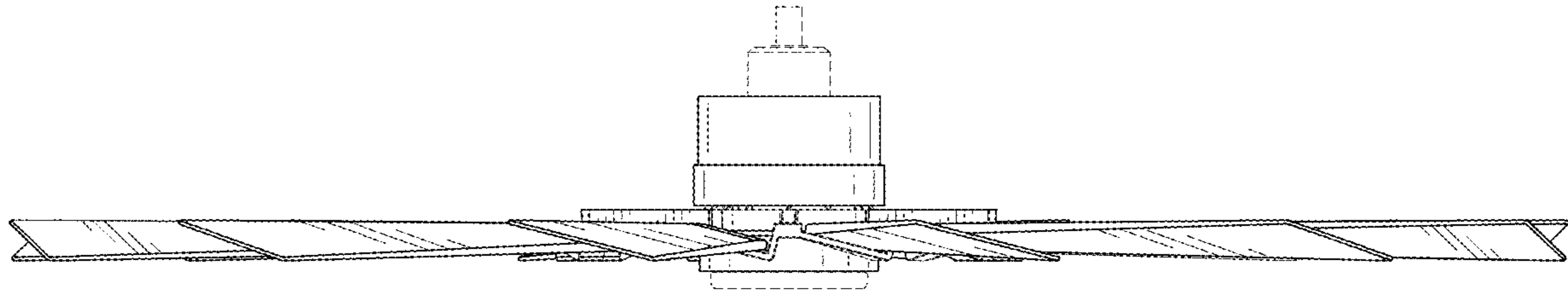


FIG. 4

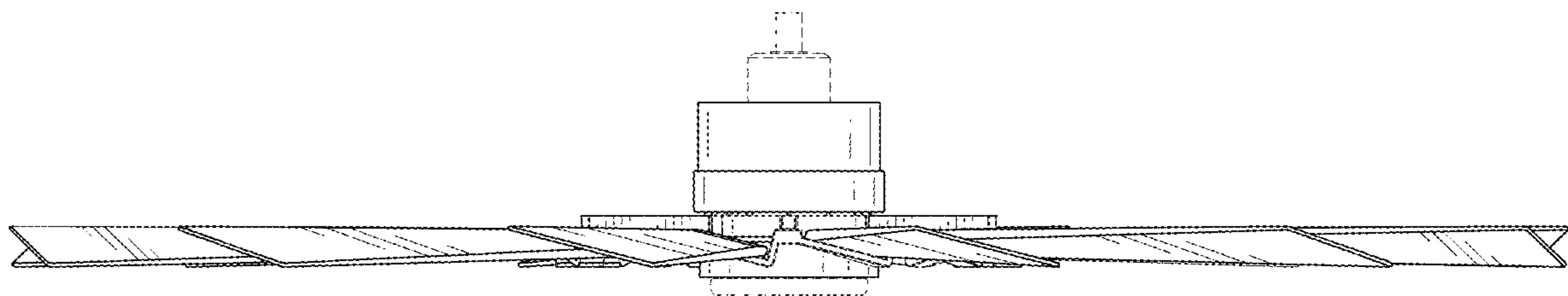


FIG. 5

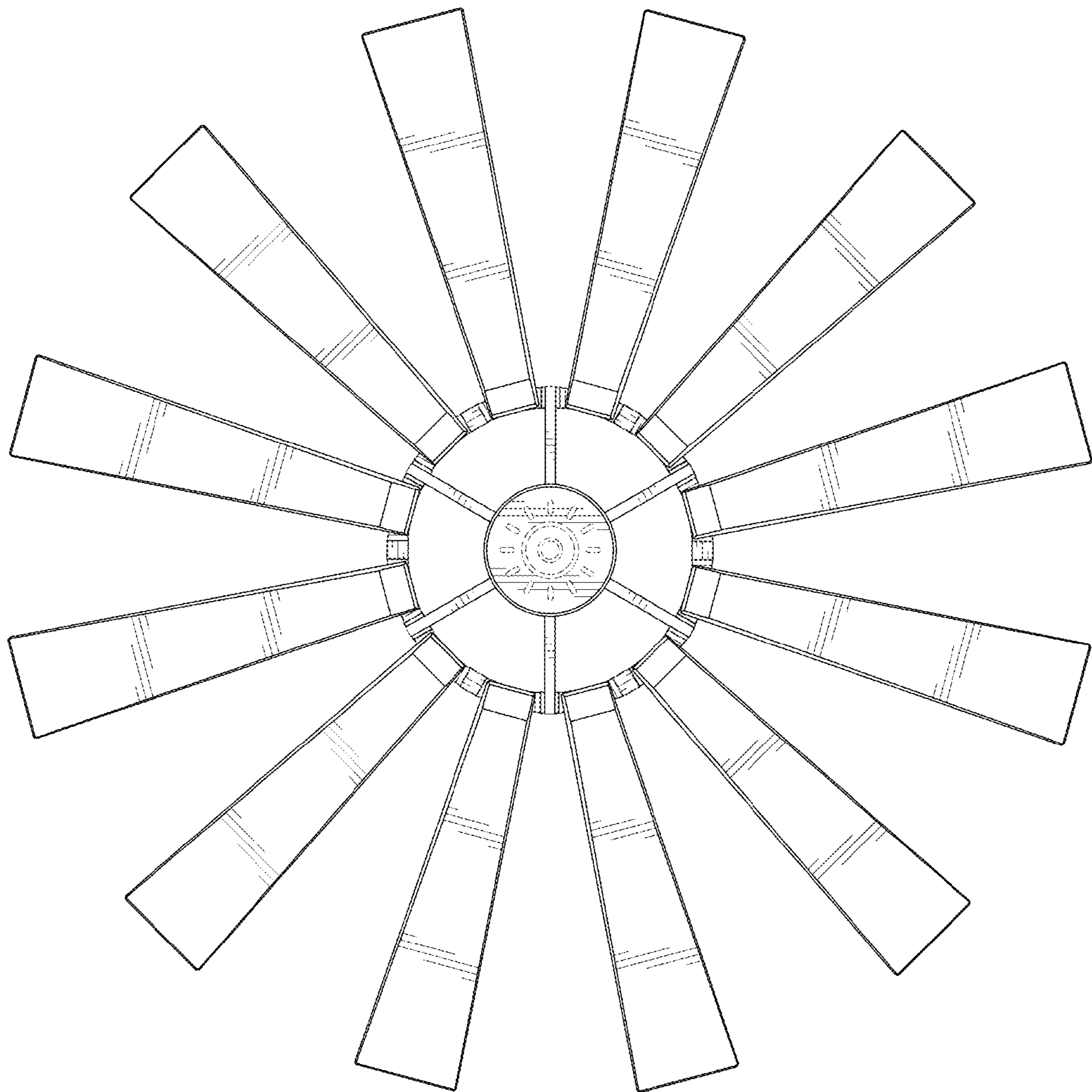


FIG. 6

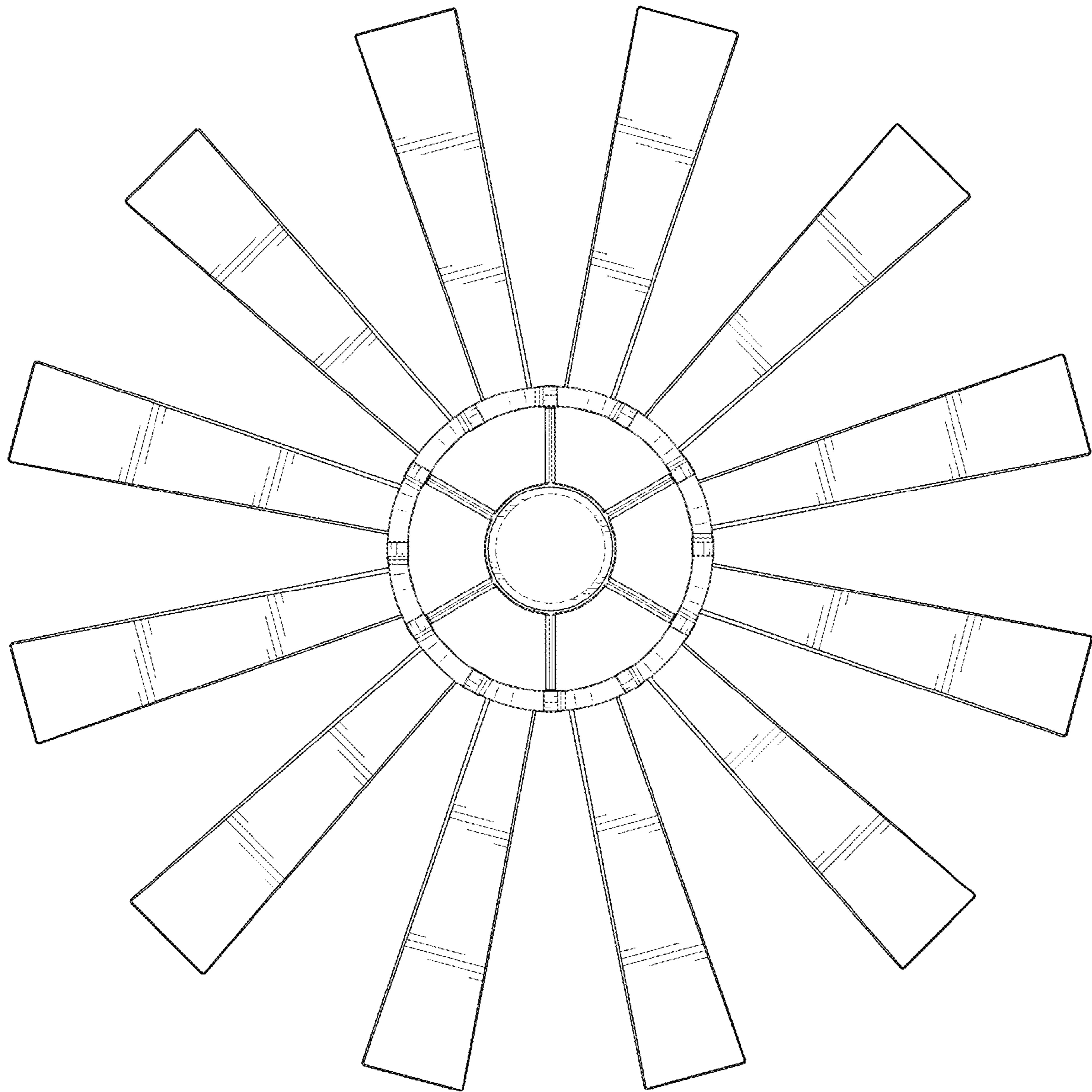


FIG. 7

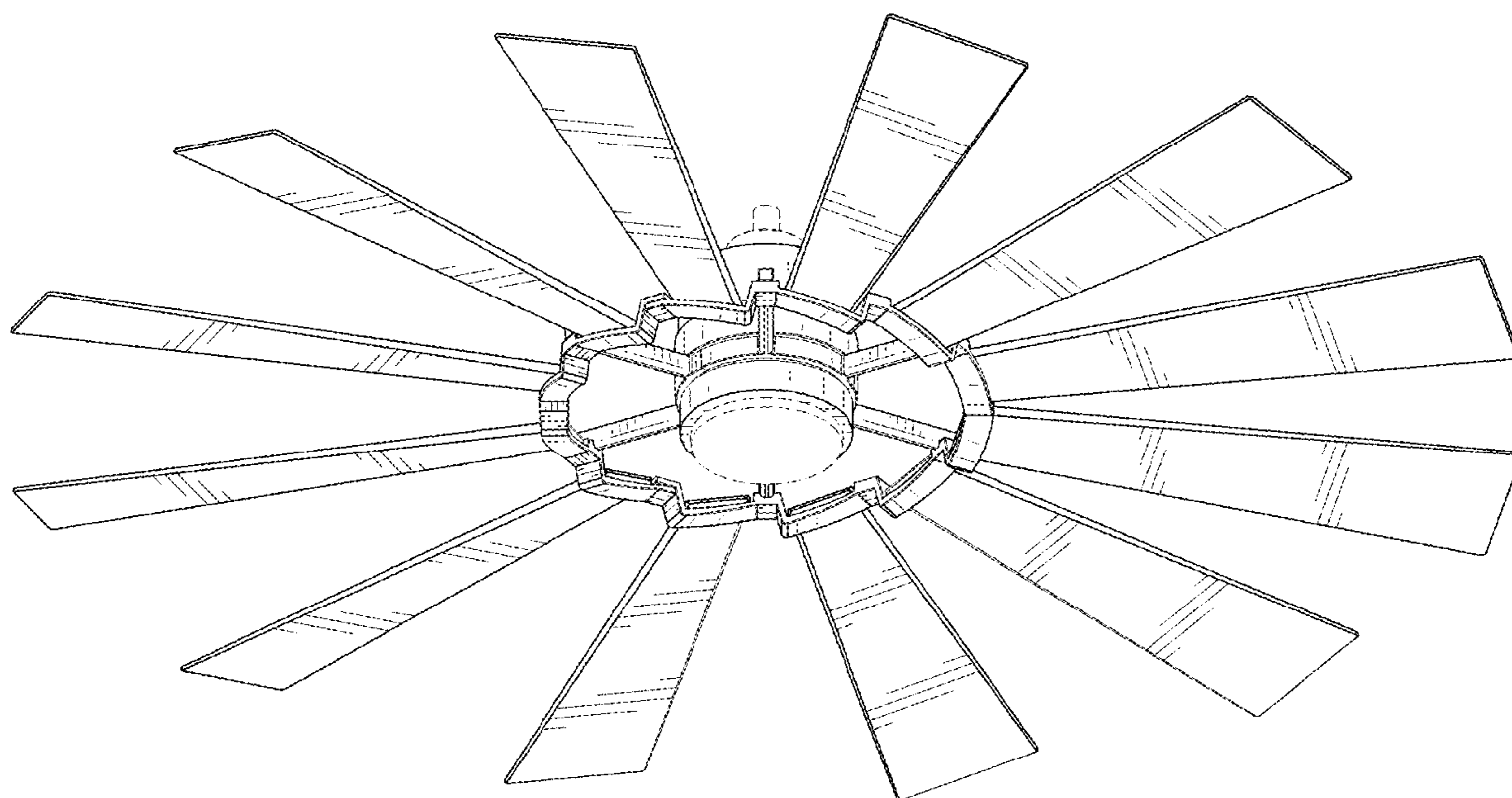


FIG. 8